

Drawing



HENDI

Tools for Chefs

Hendi B.V.

Steenoven 21
3911 TX Rhenen
The Netherlands

Batch #

000000 and up

Appliance part#

239438

Description

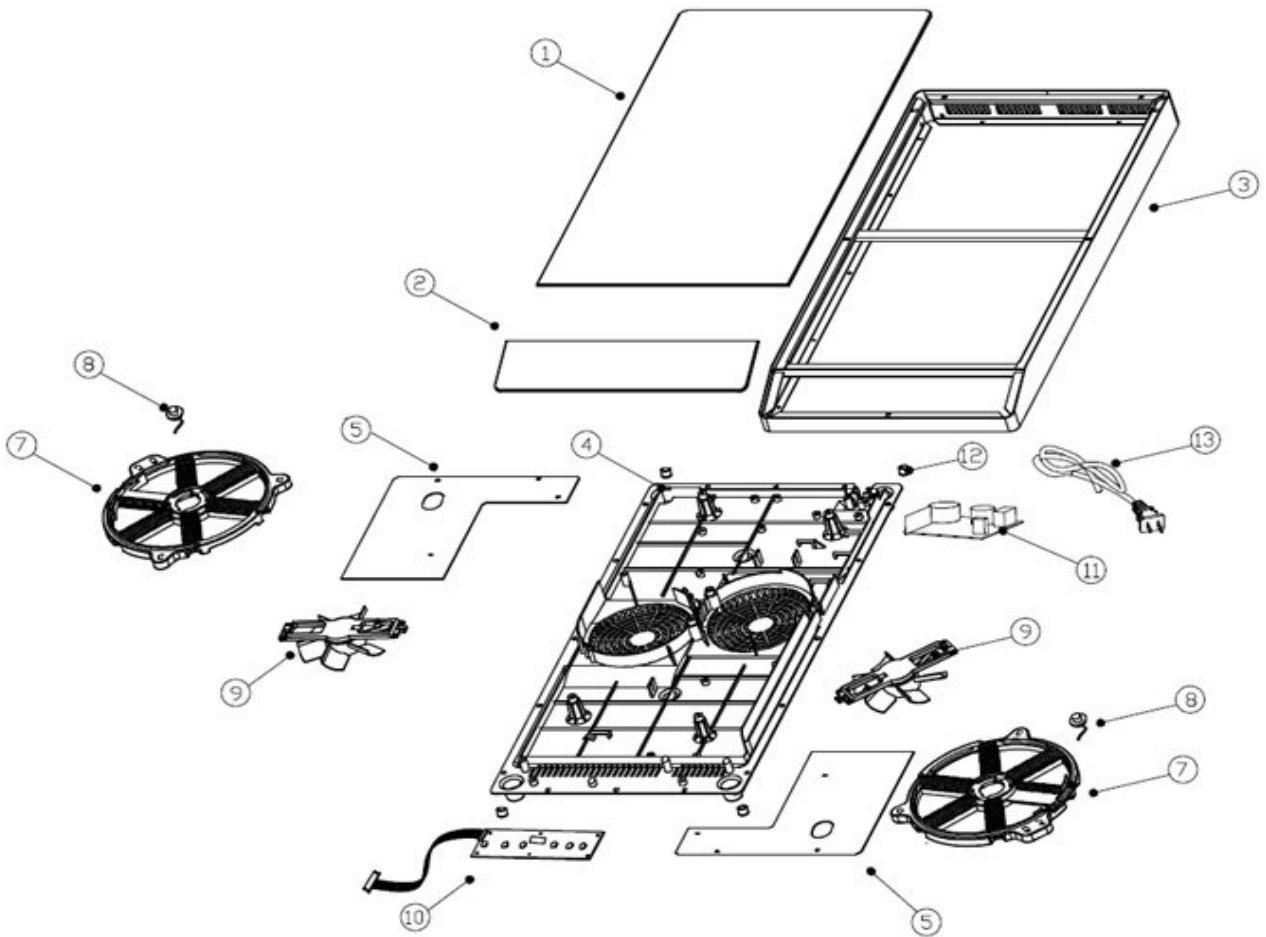
Double induction cooker 3500W Oblique
Line (vertical)

Date 23-03-2021


Revision #

1.1

Revision Updated PCB information.



Bill of materials (BOM)

 <b style="font-size: 24px; margin-left: 10px;">HENDI <small style="color: green; margin-left: 10px;">Tools for Chefs</small> Hendi B.V. Steenoven 21 3911 TX Rhenen The Netherlands	Batch #	Appliance part#
	000000 and up	239438
	Description	
Double induction cooker 3500W Oblique Line (vertical)		


Date	23-03-2021	Revision #	1.1
Revision	Updated PCB information.		

Item	Description	Part#	Quantity	Remark	Picture
1	Ceramic glass plate (top)	nss	1		
2	Ceramic glass plate (display)	nss	1		
3	Upper housing incl. glass	917725	1		
4	Lower housing	n/a	1		
5	Main PCB	919859	2		
7	Induction coil	922248	2		
8	Sensor assembly	923368	2	(thermal sensor and fuse)	
9	fan assembly	919446	2		
10	Display PCB	924686	1		
11	Filter PCB	928004	1		
12	Feet (set of 4)	917367	1		
13	Power cord	928097	1		

n/a -> not available

nss -> not sold separately

Wiring diagram

 <b style="font-size: 24px; margin-left: 10px;">HENDI Tools for Chefs Hendi B.V. Steenoven 21 3911 TX Rhenen The Netherlands	Batch #	Appliance part#
	000000 and up	239438
	Description	
	Double induction cooker 3500W Oblique Line (vertical)	

Date	23-03-2021	Revision #	1.1
Revision	Updated PCB information.		

