

Drawing



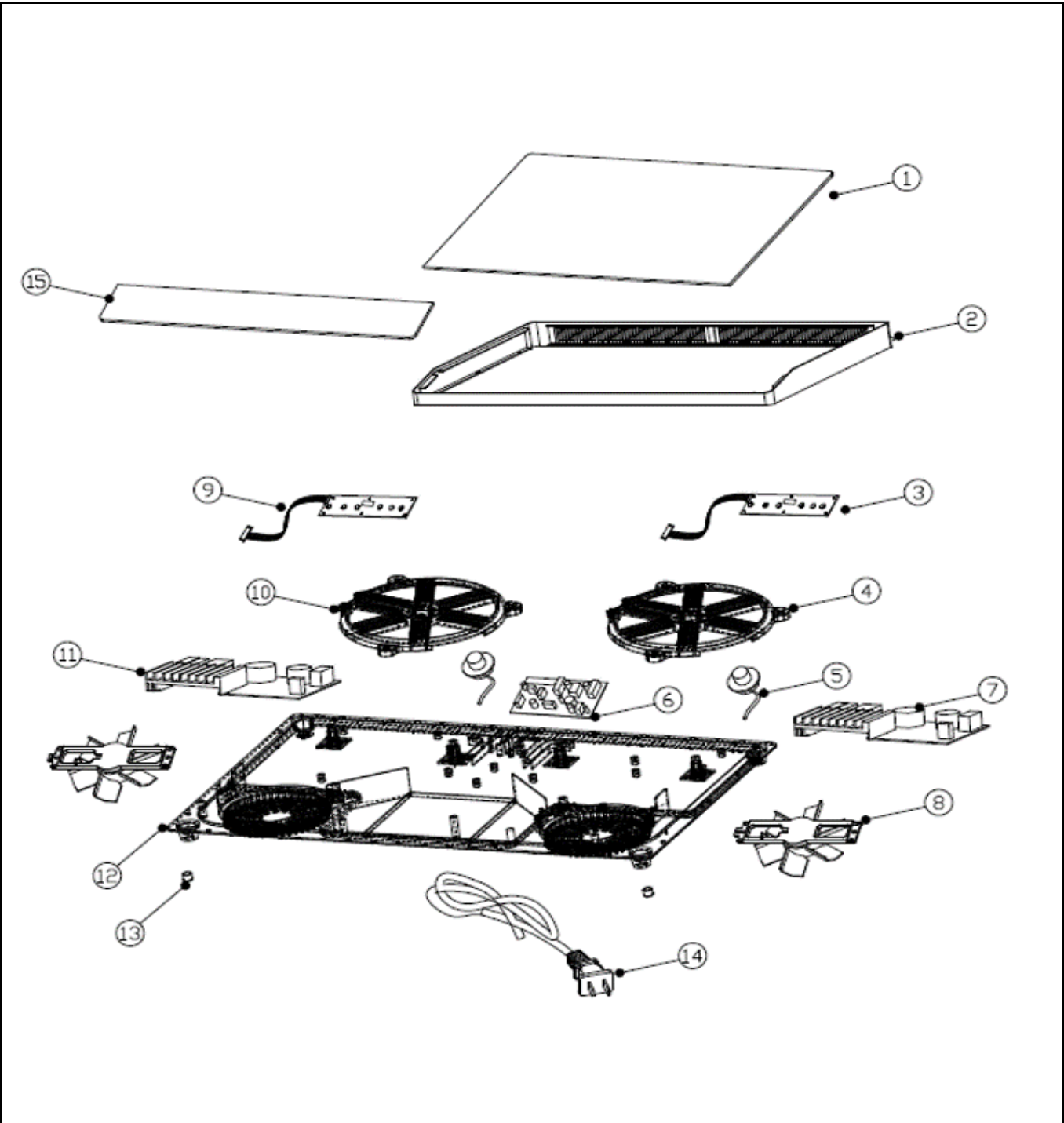
Tools for Chefs

Hendi B.V.
Steenoven 21
3911 TX Rhenen
The Netherlands


Batch #	Appliance part#
000000 and up	239445

Description
Double induction cooker with boost 3500W Oblique Line (horizontal)

Date	30-06-2020	Revision #	1.0
Revision	First Bill of Materials (BOM)		



Bill of materials (BOM)

 HENDI Tools for Chefs Hendi B.V. Steenoven 21 3911 TX Rhenen The Netherlands	Batch #	Appliance part#
	000000 and up	239445
	Description	
Double induction cooker with boost 3500W Oblique Line (horizontal)		


Date	30-06-2020	Revision #	1.0
Revision	First Bill of Materials (BOM)		

Item	Description	Part#	Quantity	Remark	Picture
1	Ceramic glass plate (top)	nss	1	Available as **02***	
2	Upper housing incl. glass	900741	1	Incl. item 1 and 15	
3	Display PCB (right)	902141	1		
4	Induction coil (right)	903063	1		
5	Sensor assembly	910917	2	(thermal sensor and fuse)	
6	Filter PCB	915094	1		
7	Main PCB (right)	917305	1		
8	Fan	919446	2		
9	Display PCB (left)	917329	1		
10	Induction coil (left)	917336	1		
11	Main PCB (left)	917350	1		
12	Lower housing	n/a	1		
13	Feet (set of 4)	917367	1		
14	Power cord	205303	1		
15	Ceramic glass plate (display)	nss	1	Available as **02***	

n/a -> not available

nss -> not sold separately

Wiring diagram

 <b style="font-size: 2em; margin-left: 10px;">HENDI Tools for Chefs Hendi B.V. Steenoven 21 3911 TX Rhenen The Netherlands	Batch #	Appliance part#
	000000 and up	239445
	Description	
Double induction cooker with boost 3500W Oblique Line (horizontal)		

Date	30-06-2020	Revision #	1.0
Revision	First Bill of Materials (BOM)		

