

Drawing



Tools for Chefs

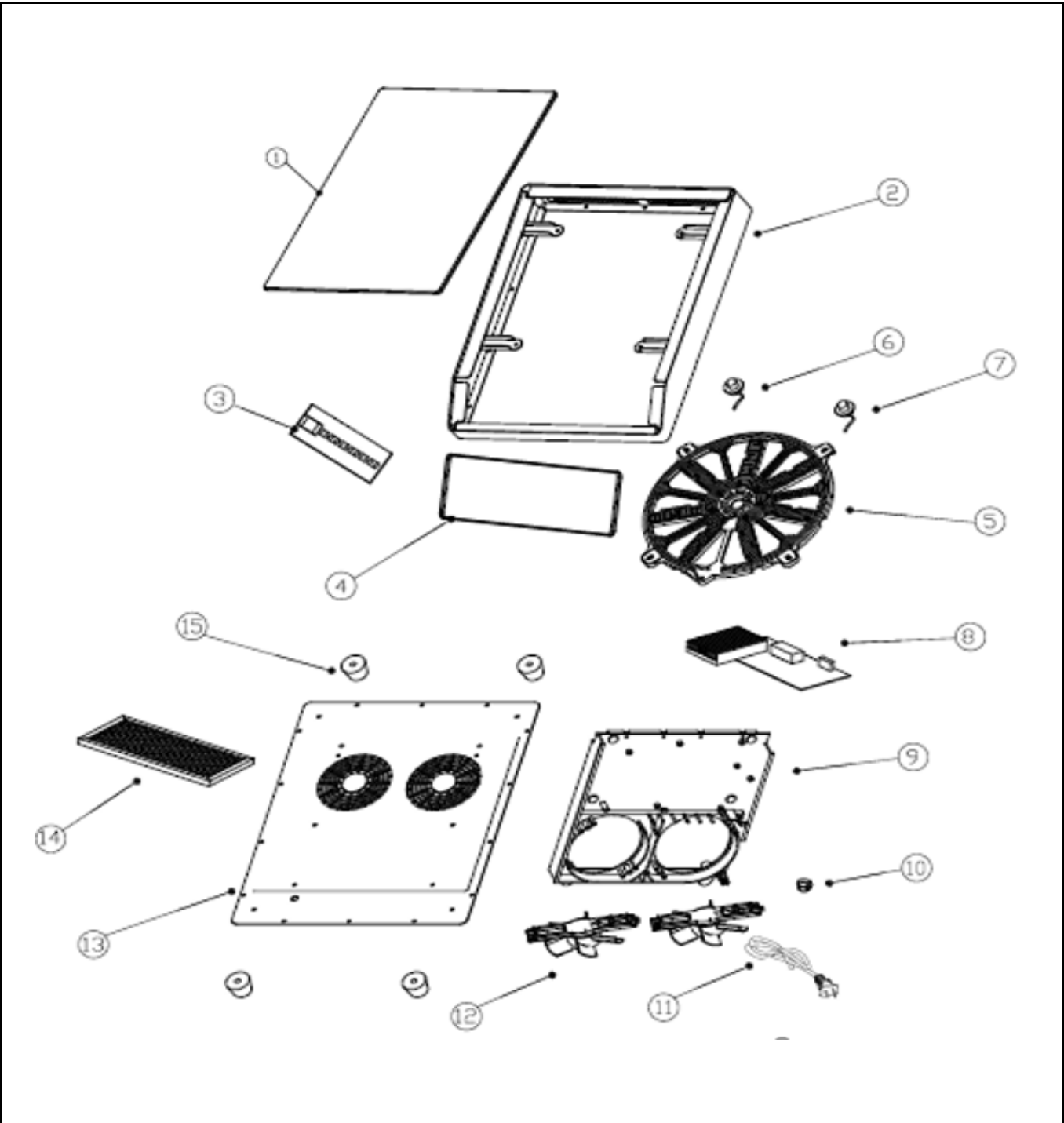
Hendi B.V.
Steenoven 21
3911 TX Rhenen
The Netherlands

Batch #
000000 and up


Appliance part#
239377

Description
Induction cooker 3500W Oblique Line

Date	30-06-2020	Revision #	1.0
Revision	First Bill of Materials (BOM)		



Bill of materials (BOM)

 HENDI <small>Tools for Chefs</small> Hendi B.V. Steenoven 21 3911 TX Rhenen The Netherlands	Batch #	Appliance part#
	000000 and up	239377
	Description	
Induction cooker 3500W Oblique Line		


Date	30-06-2020	Revision #	1.0
Revision	First Bill of Materials (BOM)		

Item	Description	Part#	Quantity	Remark	Picture
1	Ceramic glass plate (top)	nss	1	Available as **02**	
2	Upper housing incl. glass	917411	1	Incl. item 1 and 4	
3	Display PCB	917428	1		
4	Ceramic glass plate (display)	nss	1	Available as **02**	
5	Induction coil	917435	1		
6	Sensor assembly	917442	1	Sensor and fuse, incl. item 7	
7	Temperature sensor (right)	nss	1	Available as **06**	
8	Main PCB	917459	1		
9	PCB / Fan bracket	n/a	1		
10	Pull relief	n/a	1		
11	Power cord	929353	1		
12	Fan	919446	2		
13	Bottom cover	n/a	1		
14	Air intake filter	n/a	1		
15	Feet (set of 4)	917565	1		

n/a -> not available

nss -> not sold separately

Wiring diagram

 <b style="font-size: 2em; margin-left: 10px;">HENDI Tools for Chefs Hendi B.V. Steenoven 21 3911 TX Rhenen The Netherlands	Batch #	Appliance part#
	000000 and up	239377
	Description	
	Induction cooker 3500W Oblique Line	

Date	30-06-2020	Revision #	1.0
Revision	First Bill of Materials (BOM)		

