
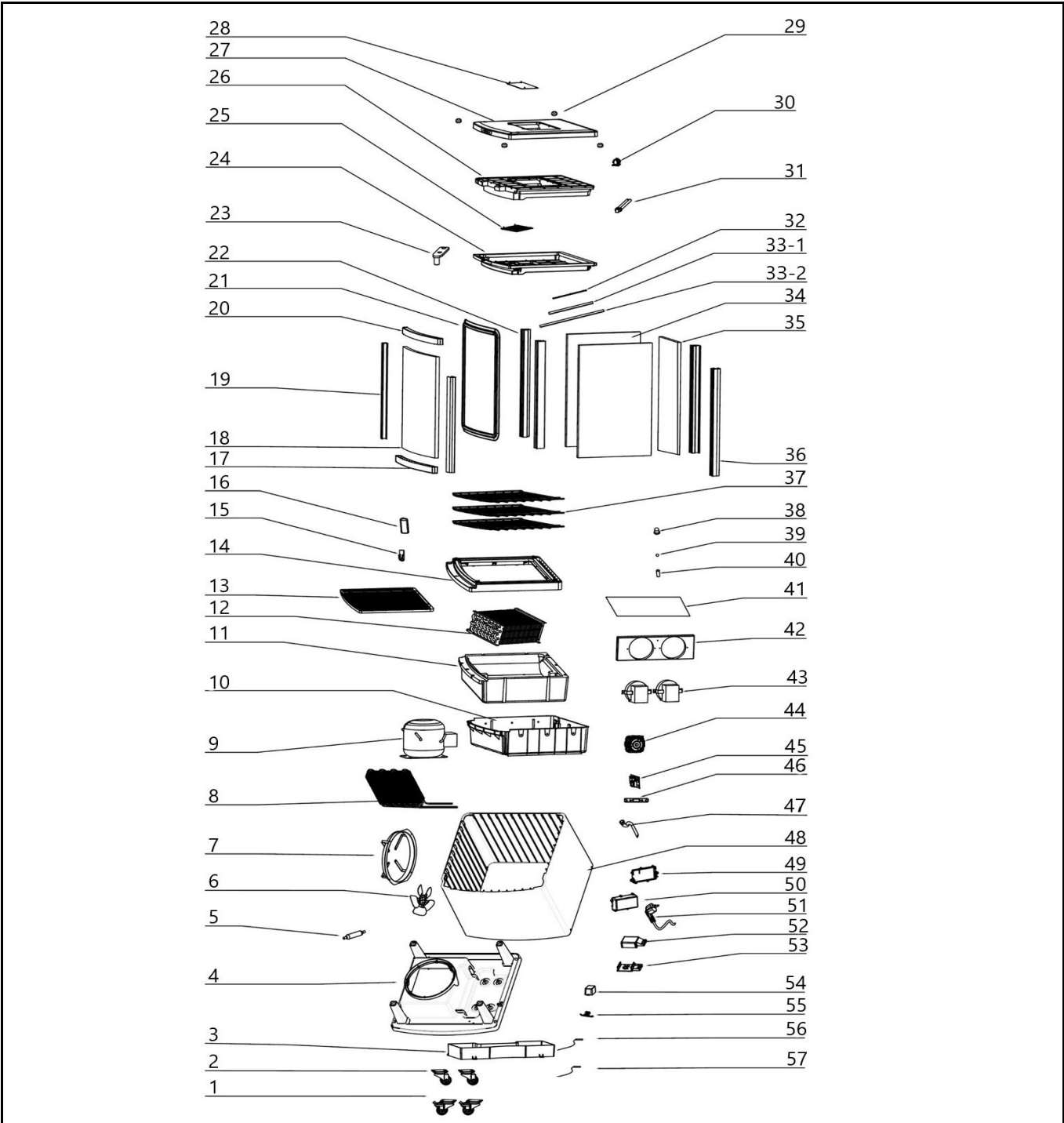



Drawing

|  |   |                 |
|--|---|-----------------|
|  <b>HENDI</b><br>Tools for Chefs<br>Hendi B.V.<br>Steenoven 21<br>3911 TX Rhenen<br>The Netherlands | Batch #                                 | Appliance part# |
|  | HK037421 and up                         | 233290          |
|  | Description                             |                 |
|  | Refrigerated display cabinet 280L Black |                 |

|          |  |            |     |
|----------|--|------------|-----|
| Date     | 09-12-2021   | Revision # | 1.1 |
| Revision | New shelf holder.<br>Added switch and new LED light. |            |     |



### Bill of materials (BOM)

|  |                    |                        |
|--|--------------------|------------------------|
|  <p><b>Hendi B.V.</b><br/>Steenoven 21<br/>3911 TX Rhenen<br/>The Netherlands</p> | <b>Batch #</b>     | <b>Appliance part#</b> |
|  | HK037421 and up    | <b>233290</b>          |
|  | <b>Description</b> |                        |
| <b>Refrigerated display cabinet 280L Black</b>   |                    |                        |

|                 |   |                   |       |
|-----------------|---|-------------------|-------|
| <b>Date</b>     | 09-12-2021                                  | <b>Revision #</b> | 1.1   |
| <b>Revision</b> | New shelf holder. switch and new LED light. |                   | Added |


| Item | Description               | Part#  | Quantity | Remark                          | Picture |
|------|---------------------------|--------|----------|---------------------------------|---------|
| 1    | Wheel with brake          | 949085 | 2        |                                 |         |
| 2    | Wheel                     | 949092 | 2        |                                 |         |
| 3    | Water collection tray     | n/a    | 1        |                                 |         |
| 4    | Inner housing base        | n/a    | 1        |                                 |         |
| 5    | Dryer filter              | n/a    | 1        |                                 |         |
| 6    | Fan blade (condensor)     | n/a    | 1        |                                 |         |
| 7    | Fan bracket               | n/a    | 1        |                                 |         |
| 8    | Condensor                 | n/a    | 1        |                                 |         |
| 9    | Compressor                | 949108 | 1        | (QD167YU)                       |         |
| 10   | Evaporator base           | n/a    | 1        |                                 |         |
| 11   | Evaporator insulation     | n/a    | 1        |                                 |         |
| 12   | Evaporator                | n/a    | 1        |                                 |         |
| 13   | Evaporator cover          | n/a    | 1        |                                 |         |
| 14   | Evaporator cover bracket  | n/a    | 1        |                                 |         |
| 15   | Shelf clip                | 952665 | 10       |                                 |         |
| 16   | Door handle               | nss    | 1        | Available as 949160             |         |
| 17   | Door frame (bottom)       | nss    | 1        | Available as 949160             |         |
| 18   | Door glass                | nss    | 1        | Available as 949160             |         |
| 19   | Door frame (left/right)   | nss    | 2        | Available as 949160             |         |
| 20   | Door frame (top)          | nss    | 1        | Available as 949160             |         |
| A    | Door assembly             | 949160 | 1        | Incl item 16, 17, 18, 19 and 20 |         |
| 21   | Door gasket               | 949184 | 1        |                                 |         |
| 22   | Corner pole (front)       | n/a    | 2        |                                 |         |
| 23   | Door hinge (top)          | n/a    | 1        |                                 |         |
| 24   | Inner housing panel (top) | n/a    | 1        |                                 |         |
| 25   | Defuser                   | n/a    | 1        |                                 |         |
| 26   | Housing insulation        | n/a    | 1        |                                 |         |
| 27   | Housing panel (top)       | n/a    | 1        |                                 |         |
| 28   | Housing panel cover       | n/a    | 1        |                                 |         |
| 29   | Screw cover               | n/a    | 4        |                                 |         |
| 30   | LED driver                | 952368 | 1        |                                 |         |
| 31A  | Lamp                      | 948798 | 1        | Until batch HK014320            |         |
| 31B  | LED light                 | 961872 | 1        | From batch HK033620 and up      |         |
| 32   | Bracket (top/bottom)      | n/a    | 2        |                                 |         |
| 33-1 | Bracket (side, left)      | n/a    | 1        |                                 |         |
| 33-2 | Bracket (side, right)     | n/a    | 1        |                                 |         |
| 34   | Glass panel (side)        | 949191 | 2        | (37.4cm X 139.3cm)              |         |
| 35   | Glass panel (rear)        | 949207 | 1        | (46.2cm X 139.3cm)              |         |
| 36   | Corner pole (rear)        | n/a    | 2        |                                 |         |
| 37   | Shelf                     | 949146 | 5        |                                 |         |
| 38   | Door hinge bushing        | nss    | 1        |                                 |         |
| 39   | Steel ball for door hinge | nss    | 1        |                                 |         |
| 40   | Pin for door hinge        | nss    | 1        |                                 |         |
| 41   | Evaporator insulation     | n/a    | 1        |                                 |         |
| 42   | Evaporator fan bracket    | n/a    | 1        |                                 |         |
| 43   | Fan (evaporator)          | 949214 | 2        |                                 |         |
| 44   | Fan motor (condensor)     | 949221 | 1        |                                 |         |
| 45   | Main PCB                  | 948729 | 1        |                                 |         |
| 46   | Control PCB               | 948736 | 1        |                                 |         |
| 47   | Water drain pipe          | n/a    | 1        |                                 |         |
| 48   | Housing panel             | n/a    | 1        |                                 |         |
| 49   | PCB housing cover         | n/a    | 1        |                                 |         |
| 50   | PCB housing               | n/a    | 1        |                                 |         |
| 51   | Power cord                | 948743 | 1        | (3G0.75mm2)                     |         |

|    |                             |        |   |                     |  |
|----|-----------------------------|--------|---|---------------------|--|
| 52 | Terminal box                | n/a    | 1 |                     |  |
| 53 | Display sticker             | n/a    | 1 |                     |  |
| 54 | Ballast                     | 948804 | 1 |                     |  |
| 55 | Lamp bracket                | n/a    | 1 |                     |  |
| 56 | Temperature probe           | 949245 | 1 | Has red connector   |  |
| 57 | Temperature probe (defrost) | 949238 | 1 | Has white connector |  |
|    |                             |        |   |                     |  |
|    |                             |        |   |                     |  |

n/a -> not available

nss -> not sold separately

## Wiring diagram

|  |                    |                        |
|--|--------------------|------------------------|
|  <b>HENDI</b><br>Tools for Chefs<br>Hendi B.V.<br>Steenoven 21<br>3911 TX Rhenen<br>The Netherlands | <b>Batch #</b>     | <b>Appliance part#</b> |
|  | HK037421 and up    | <b>233290</b>          |
|  | <b>Description</b> |                        |
| Refrigerated display cabinet 280L<br>Black   |                    |                        |

|                 |  |                   |     |
|-----------------|--|-------------------|-----|
| <b>Date</b>     | 09-12-2021   | <b>Revision #</b> | 1.1 |
| <b>Revision</b> | New shelf holder.<br>Added switch and new LED light. |                   |     |

