

COUNTERTOP DISPLAY SHOWCASES



Item: 233702
233719



You should read this user manual carefully before using the appliance.

Bevor Sie das Gerät in Betrieb nehmen, sollten Sie diese Gebrauchsanweisung aufmerksam lesen.

Alvorens de apparatuur in gebruik te nemen dient u deze gebruiksaanwijzing aandachtig te lezen.

Przed uruchomieniem urządzenia należy koniecznie dokładnie przeczytać niniejszą instrukcję obsługi.

Lisez attentivement ce mode d'emploi avant d'utiliser l'appareil .

Prima di utilizzare l'apparecchio in funzione leggere attentamente le istruzioni per l'uso.

Citiți cu atenție prezentul manual de utilizare înainte de folosirea aparatului.

Внимательно прочитайте руководство пользователя перед использованием прибора.

Πρέπει να διαβάσετε αυτές τις οδηγίες χρήσης προσεκτικά πριν χρησιμοποιήσετε τη συσκευή.



Keep these instructions with the appliance.
Diese Gebrauchsanweisung bitte beim Gerät aufbewahren.
Bewaar deze handleiding bij het apparaat.
Zachowaj instrukcję urządzenia
Gardez ces instructions avec cet appareil.
Conservate le istruzioni insieme all'apparecchio.
Păstrați manualul de utilizare alături de aparat.
Хранить руководство вместе с устройством.
Φυλάξτε αυτές τις οδηγίες μαζί με τη συσκευή.



For indoor use only.
Nur zur Verwendung im Innenbereich.
Alleen voor gebruik binnenshuis.
Do użytku wewnątrz pomieszczeń.
Pour l'usage à l'intérieur seulement.
Destinato solo all'uso domestico.
Doar pentru uz la interior.
Использовать только в помещениях.
Για χρήση μόνο σε εσωτερικό χώρο.



Dear Customer,

Thank you for purchasing this Arctic appliance. Before using the appliance for the first time, please read this manual carefully, paying particular attention to the safety regulations outlined below.


Safety regulations

- This appliance is intended for commercial use only.
- The appliance must only be used for the purpose for which it was intended and designed. The manufacturer is not liable for any damage caused by incorrect operation and improper use.
- Keep the appliance and electrical plug away from water and any other liquids. In the event that the appliance should fall into water, immediately remove plug from the socket and do not use until the appliance has been checked by a certified technician. Failure to follow these instructions could cause a risk to lives.
- Never attempt to open the casing of the appliance yourself.
- Do not insert any objects in the casing of the appliance.
- Do not touch the plug with wet or damp hands.
- **Danger of electric shock!** Do not attempt to repair the appliance yourself. In case of malfunctions, repairs are to be conducted by qualified personnel only.
- **Never use a damaged appliance!** Disconnect the appliance from the electrical outlet and contact the retailer if it is damaged.
- **Warning!** Do not immerse the electrical parts of the appliance in water or other liquids. Never hold the appliance under running water.
- Regularly check the power plug and cord for any damage. If the power plug or power cord is damaged, it must be replaced by a service agent or similarly qualified persons in order to avoid danger or injury.
- Make sure the cord does not come in contact with sharp or hot objects and keep it away from open fire. To pull the plug out of the socket, always pull on the plug and not on the cord.
- Ensure that the cord (or extension cord) is positioned so that it will not cause a trip hazard.
- Always keep an eye on the appliance when in use.
- **Warning!** As long as the plug is in the socket the appliance is connected to the power source.
- Turn off the appliance before pulling the plug out of the socket.
- Never carry the appliance by the cord.
- Do not use any extra devices that are not supplied along with the appliance.
- Only connect the appliance to an electrical outlet with the voltage and frequency mentioned on the appliance label.
- Connect the power plug to an easily accessible electrical outlet so that in case of emergency the appliance can be unplugged immediately. To completely switch off the appliance pull the power plug out of the electrical outlet.
- Always turn the appliance off before disconnecting the plug.

EN

- Never use accessories other than those recommended by the manufacturer. Failure to do so could pose a safety risk to the user and could damage the appliance. Only use original parts and accessories.
- This appliance is not intended for use by persons (including children) with reduced physical, sensory or mental capabilities, or lack of experience and knowledge.
- This appliance must not be used by children under any circumstances.
- Keep the appliance and its cord out of reach of children.
- Always disconnect the appliance from the mains if it is left unattended or is not in use, and before assembly, disassembly or cleaning.
- Never leave the appliance unattended during use.

Special Safety Regulations

- This appliance is designed for short-time storage and display of packaged foodstuffs such as foods, ingredients, beverages, including wine. This appliance is capable of continuously maintaining the temperature of foodstuffs within prescribed limits at chilled operating temperature.
- Do not store any other materials in the appliance. Do not place any dangerous products, such as fuel, alcohol, paint, flammable or explosives, etc. inside or near the appliance. No medicine is allowed to keep inside the appliance.
- Products put in the appliance must be already pre-cooled. Otherwise, moisture evaporating while cooling food products can condensate inside the cooling compartment, which is natural and does not indicate any malfunction of the appliance.
- This appliance must be installed, commissioned and serviced by a qualified or trained person. And this appliance is intended to be used by trained or qualified personnel such as kitchen or bar staff.
- **WARNING:** Do not use mechanical devices or other means to accelerate the defrosting process, other than those recommended by the manufacturer.
- **WARNING:** Do not damage the refrigerant circuit.
-  **Caution! Risk of fire!** The refrigerant used is R600a. It is a flammable refrigerant which is environmentally friendly. Although it is flammable, it does not damage the ozone layer and does not increase the greenhouse effect. The use of this coolant has, however, led to a slight increase in the noise level of the appliance. In addition to the noise of the compressor, you might be able to hear the coolant flowing around the system. This is unavoidable, and does not have any adverse effect on the performance of the appliance. Care must be taken during the transportation and setting up of the appliance that no parts of the cooling system are damaged. Leaking coolant can damage the eyes.
- The foam blowing agent used is C₅H₁₀ in this appliance. It is highly flammable.
- **WARNING:** Keep all ventilation openings in the appliance enclosure clear of obstruction. Provide sufficient ventilation in the surrounding structure when building-in. Never block the air flow suction and air outlet in order to keep air circulation.
- **WARNING:** Do not use electrical appliances inside the food storage compartments of the

- appliance, unless they are of the type recommended by the manufacturer.
- Place the appliance on a clean, stable, dry, level surface only.
 - Keep the appliance away from any hot surfaces and open flames. Protect the appliance against heat, dust, direct sunlight, moisture, dripping and splashing water.
 - During use, keep 10cm around the appliance free for ventilation.
 - Do not use hard utensils on the glass surface. Do not use water jets or steam cleaners during cleaning, do not immerse the whole appliance in water as the parts will get wet and electric shock might be resulted.
 - Do not place articles on top of the appliance. Do not place objects with open sources of fire (e.g. candles) on top or beside the appliance. Do not place objects filled with water (e.g. vases) on or near the appliance.
 - Never cover the appliance during use. This may cause a fire hazard.
 - Do not wash the appliance with water. Washing can cause leakages and increase the risk of electric shock.
 - Do not make any additional openings on the appliance. Do not install any gadgets in the appliance.
 - Do not overload the racks inside to avoid damage. Max. loading of each rack is about 8kg.
 - Do not attempt to climb up to the top of the appliance.

Installing the appliance

- The appliance should not be tipped over an angle of 45°. After installing the appliance, wait for 2 hours before connecting it to the electrical power supply to switch on. The same applies if the appliance is moved at a later date.
- The appliance must always be installed in a dry environment.
- When installing, leave at least 10 cm clearance to the rear and to the left and right for adequate ventilation. Leaving less room for ventilation may affect the efficiency.
- We strongly recommend to install the appliance in a place with good natural ventilation to increase ventilation properties.

Electrical components and other dangers

- No other appliances should be plugged into the same socket as with this appliance.
- Do not place any dangerous products, such as fuel, alcohol, paint, flammable or explosives, etc. inside or near the appliance as it may result a fire hazard.
- Do not store any medications in the appliance.
- Wait about 5 minutes before switch on the appliance again after the appliance has been switched off or unplugged from the electrical power supply.
- Do not wash the appliance with water. Washing can cause leakage and increase the risk of electric shock. No any parts/accessories can be under dishwasher.

Intended use

- This appliance is intended for professional use.
- This appliance is designed only to keep food or beverages, under cool state and to display them for retail sale in restaurants, canteens, other commercial enterprises such as bakeries, butcheries, supermarkets, etc. Any other use may lead to damage of the appliance or personal injury.
- Operating the appliance for any other purpose shall be deemed a misuse of the device. The user shall be solely liable for improper use of the device

Grounding installation

This appliance is classified as protection class I appliance and must be connected to a protective ground. Grounding reduces the risk of electric shock by providing an escape wire for the electric

current. This appliance is equipped with a cord having a grounding wire with a grounding plug. The plug must be plugged into an outlet that is properly installed and grounded.

Different operation parts



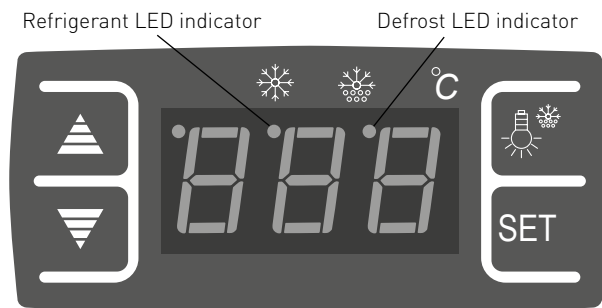
Preparation before using for the first time

- Remove all protective packaging and wrapping.
- Check for the completeness of the product. In case of incomplete delivery and damages. Please contact supplier (See == > Warranty).
- Clean all components as described (See ==> Cleaning and Maintenance).
- Place all the racks inside the appliance.

Note: Due to manufacturing residues, the appliance may emit a slight odor in the first few cycles. This is normal and does not indicate any defect or hazard. Make sure the appliance is well ventilated.

Operation

- Connect the power cord to the appliance inlet at the back of the appliance first, then connect power plug to a suitable electrical power outlet.
- Leaving the appliance for running some hours to reach the cooling temperature before placing the beverage or food inside the appliance.

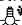
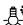


• Digital temperature controller (at the back of the appliance) operation:

1) Setting the temperature

- Press **SET** to enter into the setting mode. The set temperature is displayed.
 - Press ▲ or ▼ to increase or decrease the set temperature.
 - Press **SET** again to confirm the setting and exit. Then, inside cabinet temperature is displayed.
- Note:
- If no button is pressed within 10 seconds. The newly set temperature will be stored.
 - The temperature setting range from 2°C to 6°C. The actual temperature inside the appliance can be affected by the ambient temperature.
 - Keep the door open time as short as possible in order to keep a cool temperature inside.

2) Illumination inside the cabinet

- Press  to switch ON the light. Press  again to switch OFF the light.

3) Refrigerant LED indicator

- During the cooling operation (compressor enabled), this refrigerant LED indicator will lights up constantly.
- After the inside cabinet reach the set temperature, the refrigerant LED indicator will flashes continuously.
- When defrost start, the refrigerant LED indicator light off.

4) Defrost LED indicator

- During the defrost operation, this defrost LED indicator will lights up constantly.
- After the defrost operation, defrost LED indicator will lights off.

EN

Cleaning and Maintenance

Attention: Always unplug the appliance from the electrical power outlet before cleaning & maintenance.

Cleaning

- The exterior and interior surfaces can be cleaned with a damp cloth and a little detergent.
- Racks can be removed and washed in water.
- Do not use water jet or steam cleaner for cleaning and do not push the appliance under the water.
- No any parts can be cleaned in the dishwasher.
- Clean the appliance regularly.

Parts	How to clean	Remark
All accessories such as racks, rack holders, etc.	- Soak in warm, soapy water for about 10 to 20 minutes. - Rinse under running water thoroughly.	Dry all parts well at last.
External glass surfaces	- Wipe clean with a soft cloth and a little neutral detergent. Make sure no water or moisture enters inside the of the appliance.	
Interior glass surfaces	- Remove any food deposits. - Wipe clean with a soft cloth and a little mild detergent. Make sure no water or moisture enters inside the of the appliance.	
Glass door		

Putting the appliance out of reach for a long period of time

- Attention: Always unplug the appliance from the electrical power outlet.
- Clean the appliance as described in Cleaning. (See ==> Cleaning).
- Remove all the food and beverage inside the appliance.
- Store the appliance in a cool, clean place and keep out of reach of the children.

Troubleshooting

If the appliance does not function properly, please check the below table for the solution. If you are still unable to solve the problem, please contact the supplier/service provider.

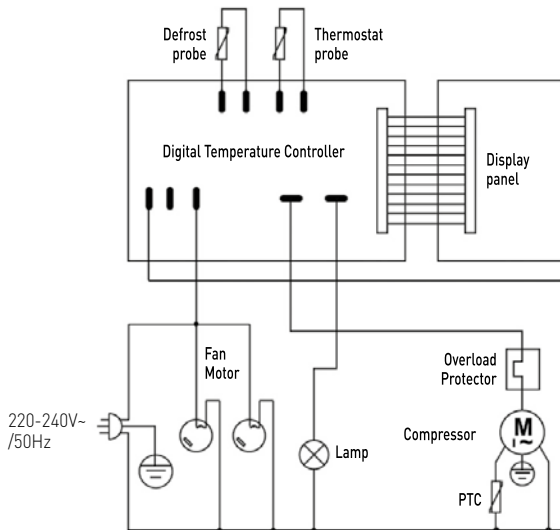
Problems	Possible cause	Possible solution
The appliance does not start cooling after connect to electrical power supply.	Thermal cut-out activated	Contact with the supplier/service provider for repair.
	The compressor is defective.	
	The power plug/inlet is not connected properly with the power supply.	Check the connection and make sure all the connections are correctly connected.
Cooling is not enough.	The appliance is under strong sunlight radiation or close to a heat source.	Move the appliance a new location to avoid direct sunlight.
	The doors are not properly closed or the sealing gasket is defective.	Close the doors properly.
	Too much food is placed inside the appliance.	Place less food inside the appliance.
	Surrounding ventilation is insufficient.	Check that if sufficient ventilation is provided by allowing at least 10cm away from other objects or wall.
Too much noise	The appliance is not placed horizontally.	Check to make sure the appliance is placed horizontally.
	The appliance touches surrounding wall or other objects.	Check to make sure that at least 10cm away from other objects or wall.
	There are some loose parts inside the appliance.	Contact with the supplier/service provider for repair.
LED lamp is not light up	The LED is defective	Contact with the supplier/service provider for repair.

Technical specification

Item no.	233702	233719
Operating voltage and frequency	220-240V~ /50 Hz	
Rated input power	160W	
Rated current	1,4A	
Setting temperature	Setting from 2°C to 6°C	
Net weight (approx.)	57kg	66kg
Protection class	Class I	
Climate class	4	
Refrigerant used and injection quantity	R600a / 50g	R600a / 65g
Power of the light	2W (LED)	2,5W (LED)
Noise level	< 60 dB (A)	
Colour	Black	
Inside cabinet capacity	120L	160L
Outer dimension	686x568x(H)686mm	850x568x(H)686mm

Remark: Technical specification is subjected to change without prior notification.

Circuit diagram (Item 233702, 233719)



Warranty

Any defect affecting the functionality of the appliance which becomes apparent within one year after purchase will be repaired by free repair or replacement provided the appliance has been used and maintained in accordance with the instructions and has not been abused or misused in any way. Your statutory rights are not affected. If the appliance is claimed under warranty, state where and

when it was purchased and include proof of purchase (e.g. receipt).

In line with our policy of continuous product development we reserve the right to change the product, packaging and documentation specifications without notice.

Discarding & Environment

When decommissioning the appliance, the product must not be disposed of with other household waste. Instead, it is your responsibility to dispose of your waste equipment by handing it over to a designated collection point. Failure to follow this rule may be penalized in accordance with applicable regulations on waste disposal. The separate collection and recycling of your waste equipment at the time of disposal will help conserve natural re-

sources and ensure that it is recycled in a manner that protects human health and the environment. For more information about where you can drop off your waste for recycling, please contact your local waste collection company. The manufacturers and importers do not take responsibility for recycling, treatment and ecological disposal, either directly or through a public system.

Sehr geehrte Kundin, sehr geehrter Kunde,

wir danken Ihnen für den Kauf des Gerätes Arktic. Machen Sie sich bitte mit dieser Anleitung noch vor der Inbetriebnahme des Gerätes vertraut, um Schäden durch die unsachgemäße Bedienung zu vermeiden. Den Sicherheitsregeln ist besondere Aufmerksamkeit zu widmen.

Sicherheitsregeln

- Die unsachgemäße Bedienung des Geräts kann zur schweren Beschädigung des Geräts sowie zu Verletzungen führen.
- Dieses Gerät ist nur für den gewerblichen Gebrauch bestim.
- Das Gerät ist ausschließlich zu dem Zweck zu benutzen, zu dem es hergestellt wurde. Der Hersteller haftet nicht für Schäden, die auf unsachgemäße Bedienung des Geräts zurückzuführen sind.
- Den Kontakt des Gerätes und des Steckers mit Wasser oder einer anderen Flüssigkeit vermeiden. Den Stecker unverzüglich aus dem Stecker ziehen und das Gerät von einem anerkannten Fachmann prüfen lassen, wenn das Gerät unbeabsichtigterweise ins Wasser fällt. Bei Nichteinhaltung dieser Sicherheitsvorschriften besteht Lebensgefahr.
- Nie eigenständig das Gehäuse des Gerätes zu öffnen versuchen.
- In das Gehäuse des Gerätes keine Gegenstände einführen.
- Den Stecker nicht mit nassen oder feuchten Händen berühren.
- **Gefahr eines Stromschlags!** Das Gerät darf nicht selbstständig repariert werden. Sämtliche Mängel und Unzulänglichkeiten sind ausschließlich durch qualifiziertes Personal zu beseitigen.
- **Niemals ein beschädigtes Gerät benutzen!** Das beschädigte Gerät vom Netz trennen und sich mit dem Verkäufer in Verbindung setzen.
- **Warnung:** Die Elektroteile des Gerätes dürfen weder in Wasser noch in andere Flüssigkeiten getaucht werden. Ebenso ist das Gerät nicht unter fließendes Wasser zu halten.
- Der Stecker und die Stromversorgungsleitung sind regelmäßig auf Beschädigungen zu prüfen. Der beschädigte Stecker oder Leitung sind an eine Servicestelle oder einer anderen qualifizierten Person zur Reparatur zu übergeben, um eventuellen Gefahren und Verletzungen des Körpers vorzubeugen.
- Man muss sich davon überzeugen, ob die Stromversorgungsleitung weder mit scharfkantigen noch mit heißen Gegenständen in Berührung kommt; halten Sie die Leitung weit entfernt von einer offenen Flamme. Um den Stecker aus der Netzsteckdose zu nehmen, muss man immer am Stecker und nicht an der Leitung ziehen.
- Die Stromversorgungsleitung (oder Verlängerungsleitung) ist vor dem zufälligen Herausziehen aus der Steckdose zu schützen. Die Stromversorgungsleitung muss so geführt werden, dass niemand zufällig darüber stolpern kann.
- Das Gerät muss während seiner Anwendung ständig kontrolliert werden.
- **Warnung!** Wenn der Stecker in der Netzsteckdose ist, muss man das Gerät als an die Stromversorgung angeschlossen betrachten.
- Bevor der Stecker aus der Netzsteckdose genommen wird, ist das Gerät auszuschalten.

- Das Gerät darf beim Tragen nicht an der Leitung gehalten werden.
- Benutzen Sie kein Zubehör, das nicht mit diesem Gerät mitgeliefert wurde.
- Das Gerät muss man ausschließlich an die Steckdose mit solch einer Spannung und Frequenz anschließen, wie auf dem Typenschild angegeben wird.
- Stecken Sie den Stecker in die Steckdose, die an einem leicht und bequem zugänglichen Ort angeordnet ist, und zwar so, dass das Gerät bei einer Störung sofort abgeschaltet werden kann. Um das Gerät vollständig auszuschalten, muss man es von der Stromquelle trennen. Zu diesem Zweck muss man den Stecker, der sich am Ende der vom Gerät getrennten Leitung befindet, aus der Netzsteckdose ziehen.
- Vor dem Abtrennen des Steckers ist das Gerät auszuschalten!
- Benutzen Sie kein Zubehör, das nicht vom Hersteller empfohlen wird. Die Anwendung vom nicht empfohlenen Zubehör stellt eine Gefahr für den Nutzer dar und kann zur Beschädigung des Gerätes führen. Benutzen Sie ausschließlich Ersatzteile und Zubehör im Original.
- Dieses Gerät eignet sich nicht für den Gebrauch durch Personen (gilt auch für Kinder) mit geringerer Motorik, Sensorik oder geistiger Fähigkeit oder mangelhafter Erfahrung und Wissen.
- Auf keinen Fall darf das Bedienen des Gerätes durch Kinder zugelassen werden.
- Das Gerät mit Stromversorgungsleitung ist außerhalb der Reichweite von Kindern zu lagern.
- Ebenso muss dafür gesorgt werden, dass die Kinder das Gerät nicht zum Spielen benutzen.
- Das Gerät ist immer dann von der Stromversorgung zu trennen, wenn es ohne Aufsicht bleiben soll bzw. auch vor der Montage, Demontage und Reinigung.
- Während der Nutzung darf das Gerät nicht ohne Aufsicht gelassen werden.

DE

Besondere Sicherheitsvorschriften

- Das vorliegende Gerät dient zur vorübergehenden Aufbewahrung und Ausstellung von verpackten Lebensmitteln, solcher wie Speisen, Zutaten und Getränke, darunter Wein. Dieses Gerät kann die Temperatur von Lebensmitteln im Temperaturbereich (Kühlungstemperatur) aufrechterhalten, der im vorliegenden Dokument bestimmt wird.
- Es dürfen im Gerät keine anderen Produkte gelagert werden. Bringen Sie in die Kühlvitrine oder in seine Nähe keine Gefahrenstoffe unter, und zwar solche wie Kraftstoff, Alkohol, Farben, leichtbrennbare und explosive Materialien usw. Lagern Sie im Gerät keine Arzneimittel.
- Die in der Kühlvitrine angeordneten Produkte müssen vorher gekühlt worden sein. Andernfalls kann der Dampf, der von den zu kühlenden Produkten ausweicht, innerhalb der Kühlkammer zu einer Tropfenbildung führen – das ist eine normale Erscheinung und verweist nicht auf eine Beschädigung des Gerätes.
- Das vorliegende Gerät muss durch qualifiziertes und geschultes Personal montiert, zur Nutzung übergeben und instandgehalten werden. Ebenso muss es durch entsprechend qualifiziertes und geschultes Personal bedient werden, z.B. das Küchenpersonal oder Bedienpersonen an der Bar.

- **WARNUNG:** Verwenden Sie zwecks Beschleunigung des Abtauvorgangs weder mechanische Geräte noch andere Werkzeuge als vom Hersteller empfohlen.
- **WARNUNG:** Der Umlauf des Kältemittels darf nicht beschädigt werden.
-  **Achtung! Es besteht Feuergefahr!** Im Gerät wird R600a als Kältemittel verwendet. Es ist ein umweltfreundliches, leicht brennbares Kältemittel. Obwohl das Kältemittel leicht brennbar ist, ist es unschädlich für die Ozonschicht und hat keinen Einfluss auf den Treibhauseffekt. Der Einsatz dieses Kältemittels führt jedoch zu einem leichten Anstieg des Lärmpegels des Gerätes. Neben dem Lärm des Verdichters kann der Benutzer das Geräusch hören, das durch den Kältemittelstrom verursacht wird. Dieses Phänomen lässt sich nicht vermeiden und hat keine negativen Auswirkungen auf den Betrieb des Gerätes. Bei Transport und Aufstellung des Gerätes ist besonders darauf zu achten, dass keine Teile des Kältesystems beschädigt werden. Auslaufendes Kältemittel kann zu Augenschäden führen.
- Als Treibmittel wird in diesem Gerät C₅H₁₀ verwendet. Es ist leicht entflammbar.
- **WARNUNG:** Verdecken Sie nicht die Belüftungsöffnungen im Gehäuse des Gerätes. Wenn das Gerät umbaut ist, muss man sich davon überzeugen, ob für das Gerät auch eine richtige Belüftung gewährleistet wird. Blockieren Sie niemals den Luftdurchfluss um das Gerät herum, damit eine richtige Luftzirkulation abgesichert ist.
- **WARNUNG:** Innerhalb der Kammern der Kühlvitrine dürfen keine anderen Elektrogeräte eingesetzt werden, als vom Hersteller empfohlen.
- Das Gerät ist ausschließlich auf einer sauberen, stabilen, trockenen und horizontalen Fläche aufzustellen.
- Das Gerät ist weit entfernt von heißen Flächen und offenem Feuer zu lagern. Überzeugen Sie sich, ob das Gerät nicht der Einwirkung hoher Temperaturen, Staub, Sonnenstrahlen, Feuchtigkeit, tropfendem Wasser und Spritzern ausgesetzt ist.
- Überzeugen Sie sich, ob rundum die Kühlvitrine 10 cm Freiraum eingehalten wurde, um eine richtige Belüftung zu gewährleisten.
- Es darf mit keinem harten Werkzeug gegen die Glasfläche der Kühlvitrine geschlagen werden. Ebenso darf das Gerät nicht mit einem Wasserstrahl oder einer Dampfwäsche gereinigt und das ganze Gerät darf wegen des Risikos eines Stromschlags nicht komplett in Wasser getaucht werden.
- Legen Sie keine Gegenstände auf das Gerät. Bringen Sie keine Quellen des offenen Feuers (z.B. angezündete Kerzen) in die Nähe des Gerätes. Ebenso dürfen keine mit Wasser gefüllten Objekte (wie z.B. Vasen) in der Nähe des Geräts vorhanden sein.
- Das Gerät darf während der Nutzung nicht zugedeckt werden, da sonst Feuergefahr besteht.
- Reinigen Sie das Gerät nicht mit Wasser. Beim Waschen des Gerätes kann Wasser in den elektrischen Teil gelangen und so zu einem Stromschlag führen.
- Bohren Sie keine zusätzlichen Öffnungen im Gerät. Montieren Sie kein zusätzliches Zubehör am Gerät.
- Bringen Sie keine allzu großen Mengen von Lebensmitteln in die Vitrine, um ihrer Beschädigung vorzubeugen. Die maximale Belastung eines jeden Faches beträgt ca. 8 kg.

- Probieren Sie nicht auf das Gerät zu steigen.

Montage der Kühlvitrine

- Das Gerät darf mit keinem größeren Winkel als 45° geneigt stehen. Nach durchgeführter Montage des Gerätes muss man vor seinem Anschluss an die Stromversorgung und Inbetriebnahme 2 Stunden abwarten. Die obige Empfehlung betrifft auch die Situation, wenn das Gerät zu einem späteren Termin an einen anderen Platz gestellt wird.
- Die Kühlvitrine muss unbedingt an einem trockenen Platz montiert werden.
- Während der Montage muss man hinter dem Gerät und an den beiden Seiten mindestens 10 cm Freiraum lassen, um eine richtige Belüftung gewährleisten zu können. Bei einem geringeren Freiraum kann die Leistungsfähigkeit der Gerätes beeinflusst werden.
- Es wird empfohlen, die Montage der Kühlvitrine an einem Ort mit guter natürlicher Belüftung durchzuführen, weil dadurch das Gerät entsprechend belüftet wird.

Elektrische Elemente und andere Gefahren

- Es darf keine andere Ausrüstung an die gleiche Stromversorgungsquelle angeschlossen werden, an die das Gerät angeschlossen ist.
- Bringen Sie in der Kühlvitrine oder in seiner Nähe keine Gefahrenstoffe unter, und zwar solche wie Kraftstoff, Alkohol, Farben, leichtbrennbare und explosive Materialien usw. – es besteht Brandgefahr.
- Lagern Sie im Gerät keine Arzneimittel.
- Nach dem Aus- oder Abschalten des Gerätes von der Stromversorgungsquelle muss man ca. 5 Minuten bis zu seiner erneuten Inbetriebnahme abwarten.
- Reinigen Sie das Gerät nicht mit Wasser. Beim Waschen des Gerätes kann Wasser in den elektrischen Teil gelangen und zu einem Stromschlag führen. Die Teile/Zubehör sind nicht zum Waschen in der Spülmaschine geeignet.

DE

Verwendungszweck des Gerätes

- Das Gerät ist für den professionellen Einsatz geeignet.
- Diese Vorrichtung wurde ausschließlich für die Aufbewahrung von Speisen oder Getränken in kühlem Zustand sowie zur Auslage für den Wiederverkauf in Restaurants, Kantinen sowie weiteren gewerblichen Unternehmen, wie z.B. Bäckereien, Metzgereien, Supermärkten usw., konzipiert. Verwendung des Gerätes für andere Zwecke kann zu seiner Beschädigung sowie zu Körperverletzungen führen.
- Jede andere Verwendung des Gerätes gilt als nicht bestimmungsgemäß. Der Benutzer ist allein verantwortlich für die unsachgemäße Nutzung des Gerätes.

Montage der Erdung

Die Aufsatzkühlvitrine ist ein Gerät der I. Schutzklasse und erfordert eine Erdung. Die Erdung verringert aufgrund der Anwendung eines Kabels, das den elektrischen Strom ableitet, das Risiko eines elektrischen Stromschlags. Das Gerät ist

mit einem Schutzleiter mit Schutzkontaktstecker ausgerüstet. Bevor das Gerät nicht entsprechend installiert und geerdet wurde, darf man den Schutzkontaktstecker nicht in die Netzsteckdose stecken.

Teile des Gerätes



Vor dem ersten Gebrauch

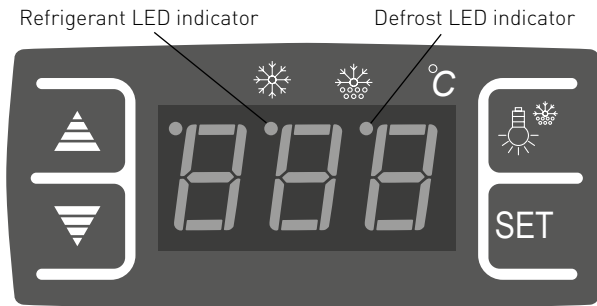
- Verpackung und Sicherungselemente abnehmen und beseitigen.
- Überprüfen Sie das Gerät auf Vollständigkeit. Bei einer unvollständigen Anlieferung oder Beschädigungen muss man sich sofort mit dem Lieferanten in Verbindung setzen (Siehe: Garantie).
- Reinigen Sie alle Teile des Gerätes entsprechend der Anleitung (siehe==> Reinigung und Wartung).

- Legen Sie alle Regalfächer in das Gerät.

Hinweis: Auf Grund von Rückständen aus dem Produktionsprozess kann während der ersten Inbetriebnahmen aus dem Gerät ein unangenehmer Geruch entweichen. Das ist eine normale Erscheinung und bedeutet weder eine Beschädigung der Aufsatzkühlvitrine noch eine Gefährdung für den Nutzer. Prüfen Sie, ob das Gerät gut belüftet wird.

Nutzung

- Zuerst muss man die demontierbare Stromversorgungsleitung an die Steckdose des Gerätes anschließen und danach das Gerät an die richtige Stromversorgungsquelle.
- Bevor Lebensmittel und Getränke in die Aufsatzkühlvitrine eingebracht werden, muss man es über einige Stunden eingeschaltet lassen, damit die richtige Kühltemperatur erreicht wird.





- Bedienung des digitalen Panels für die Temperaturregelung (vorne am Gerät)

1) Einstellung der Temperatur

- Taste **SET** drücken, um in die Betriebsart-Einstellungen zu gehen. Auf dem Display erscheint die eingestellte Temperatur.
- Taste ▲ oder ▼ drücken, um die eingestellte Temperatur zu erhöhen oder zu verringern.
- Taste **SET** erneut drücken, um die eingegebene Temperatur zu bestätigen. Im Display wird die in der Aufsatzvitrine eingestellte Temperatur angezeigt.
Hinweis:
- Wenn innerhalb von 10 Sekunden keine Taste gedrückt wird, dann stellt die Aufsatzkühlvitrine die neu eingegebene Temperatur ein.
- Einstellbereich der Temperatur: von 2 °C bis 6 °C. Die tatsächliche Temperaturschwankung im Inneren des Produkts kann durch die Umgebungstemperatur beeinflusst werden.

- Um eine niedrige Temperatur innerhalb der Aufsatzkühlvitrine zu halten, darf man die Tür nicht zu lange öffnen.

2) Einstellen des Lichtes innerhalb der Kühlvitrine

- Taste  drücken, um das Licht in der Kühlvitrine einzuschalten. Zum Ausschalten erneut  drücken.

3) LED-Kontrolldiode für die Kühlung

- Während der Kühlung der Aufsatzvitrine (Verdichter gestartet), wird die Diode für die Kühlung ununterbrochen leuchten.
- Wenn innerhalb der Aufsatzvitrine die eingestellte Temperatur erreicht wird, beginnt die Diode für die Kühlung zu blinken.
- Mit dem Beginn des Abtauens erlischt die Diode für die Kühlung.

4) Diode des Abtauvorgangs

- Während des Abtauens der Aufsatzkühlvitrine wird die Abtaudiode ununterbrochen leuchten.
- Nach dem Beenden des Abtauvorgangs erlischt die Abtaudiode.

Reinigung und Wartung

Hinweis: Vor dem Reinigen und den Wartungsarbeiten muss man immer das Gerät von der Stromversorgungsquelle trennen und den Stecker aus der Steckdose nehmen.

Reinigung

- Die Innen- und Außenflächen der Aufsatzkühlvitrine kann man mit einem feuchten Lappen mit einer geringen Menge eines Reinigungsmittels reinigen.
- Die Regalfächer kann man aus dem Gerät nehmen und sie beim Waschen in Wasser eintauchen
- Verwenden Sie zum Reinigen der Vitrine weder einen direkten Wasserstrahl, Dampfreiniger, noch tauchen Sie das gesamte Gerät in das Wasser.
- Teile der Aufsatzkühlvitrine dürfen nicht in der Spülmaschine gereinigt werden.
- Die Reinigung der Aufsatzkühlvitrine sollte regelmäßig erfolgen.

Teile	Reinigung	Bemerkungen
Teile des Gerätes, solche wie Regalfächer, ihre Stützen usw.	- Für ca. 10-20 Minuten in warmes Seifenwasser tauchen. - Unter fließendem Wasser genau abspülen.	Alle Teile genau austrocknen lassen.
Äußere Glasflächen	- mit weichem Lappen und geringer Menge eines neutralen Reinigungsmittels abreiben. Überzeugen Sie sich, dass kein Wasser in das Innere der Vitrine gelangte.	
Innere Glasflächen	- Lebensmittelreste beseitigen. - Mit weichem Lappen und geringer Menge eines milden Reinigungsmittels abreiben. Überzeugen Sie sich, dass kein Wasser in das Innere der Vitrine gelangte.	
Glastür		

Lagerung der Aufsatzkühlvitrine während einer Unterbrechung der Nutzung

- Hinweis: Trennen Sie immer das Gerät von der Stromversorgung.
- Aus der Aufsatzkühlvitrine sind sämtliche Lebensmittel und Getränke zu entfernen.
- Waschen Sie die Aufsatzkühlvitrine entsprechend den Hinweisen im Punkt Reinigung und Wartung. (Siehe ==> Reinigung und Wartung).
- Lagern Sie die Aufsatzkühlvitrine an einem kühlen, sauberen Ort außerhalb der Reichweite von Kindern.

Fehlerbeseitigung

Wenn das Gerät nicht richtig funktioniert, muss man sich zum Finden der richtigen Lösung mit der nachfolgenden Tabelle vertraut machen. Wenn Sie das Problem nicht lösen können, dann setzen Sie sich bitte mit dem Lieferanten in Verbindung.

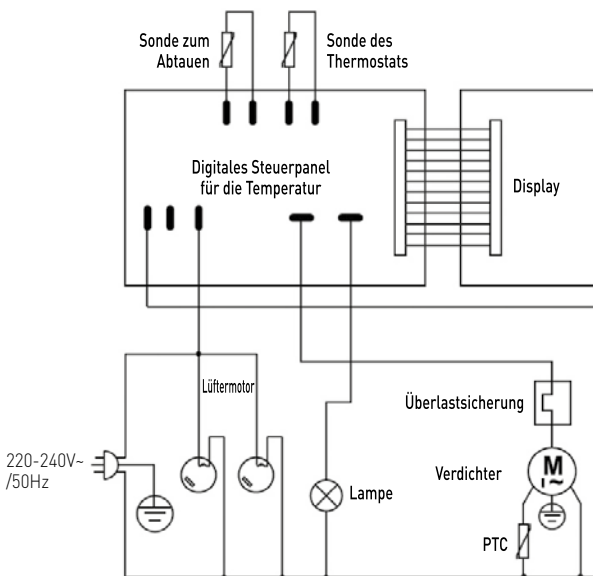
Problem	Mögliche Ursache	Mögliche Lösung
Die Aufsatzkühlvitrine beginnt nach dem Anschließen an die Stromversorgung nicht mit dem Kühlvorgang.	Thermische Sicherung wurde ausgelöst.	Setzen Sie sich zwecks Reparatur des Gerätes mit dem Lieferanten/ Dienstleister in Verbindung.
	Verdichter ist beschädigt.	
	Der Stecker/die Steckdose des Geräts ist an die Stromquelle nicht richtig angeschlossen.	Überprüfen und überzeugen Sie sich, dass alle Elemente richtig angeschlossen sind.
Die Kühlung ist zu schwach.	Die Aufsatzkühlvitrine ist einer zu starken Sonneneinstrahlung ausgesetzt oder steht zu nahe an einer Wärmequelle.	Stellen Sie das Gerät an einen anderen Ort, weit entfernt von direkter Sonneneinstrahlung.
	Die Tür ist nicht richtig geschlossen oder die Dichtung ist beschädigt.	Die Tür richtig schließen.
	In der Aufsatzkühlvitrine befinden sich zu viele Lebensmittel.	Nehmen Sie einen Teil der Lebensmittel aus der Aufsatzkühlvitrine.
	Die Lüftung rundum das Gerät ist unzureichend.	Überzeugen Sie sich, ob für die Aufsatzkühlvitrine eine richtige Belüftung garantiert wird bzw. rundum ein Freiraum von 10 cm belassen wurde.
Die Aufsatzkühlvitrine erzeugt zu viel Lärm.	Das Gerät ist nicht in horizontaler Lage aufgestellt.	Überzeugen Sie sich, ob das Gerät in horizontaler Lage aufgestellt wurde.
	Die Aufsatzkühlvitrine berührt eine Wand oder andere Objekte.	Überzeugen Sie sich, ob rundum die Aufsatzkühlvitrine ein Freiraum von mindestens 10 cm belassen wurde.
	Innerhalb der Aufsatzkühlvitrine befinden sich lose Elemente.	Setzen Sie sich zwecks Reparatur des Gerätes mit dem Lieferanten/ Dienstleister in Verbindung.
LED lamp is not light up	Die Diode ist defekt.	Setzen Sie sich zwecks Reparatur des Gerätes mit dem Lieferanten/ Dienstleister in Verbindung.

Technische Spezifikation

Nr. des Produktes	233702	233719
Betriebsspannung und Frequenz	220-240V- /50 Hz	
Nennleistungsaufnahme	160W	
Nennstrom	1,4A	
Einstellung der Temperatur	Im Bereich von 2°C bis 6°C	
Nettogewicht (ca.)	57kg	66kg
Schutzgrad	Klasse I	
Klimaklasse	4	
Kältemittel / Menge des eingespritzten Mittels	R600a / 50g	R600a / 65g
Lichtleistung	2W (LED)	2,5W (LED)
Lärmpegel	< 60 dB (A)	
Farbe	Schwarz	
Rauminhalt der Vitrine	120L	160L
Außenabmessungen	686x568x(H)686mm	850x568x(H)686mm

Hinweis: Die technische Spezifikation kann ohne Vorankündigung verändert werden

Elektroschema (Produkt Nr. 233702, 233719)



Garantie

Alle innerhalb von einem Jahr nach dem Kaufdatum festgestellten Defekte oder Mängel, die die Funktionalität des Gerätes beeinträchtigen, werden auf dem Wege der unentgeltlichen Reparatur bzw. des Austausches unter der Voraussetzung beseitigt, dass das Gerät in einer der Bedienungsanleitung gemäßen Art und Weise betrieben und gewartet wird und weder vorsätzlich vernichtet noch nicht bestimmungsgemäß genutzt wurde. Ihre Rechte aus den entsprechenden Gesetzen

bleiben davon unberührt. Eine in der Garantiefrist einzureichende Beanstandung hat die Angabe des Kaufortes und Kaufdatums und in der Anlage einen Kaufbeleg (z.B. Kassenzettel) zu enthalten.

Gemäß unserer Politik der ständigen Weiterentwicklung unserer Produkte behalten wir uns vor, Änderungen am Produkt, an seiner Verpackung und an den dokumentierten technischen Daten ohne vorherige Ankündigung vorzunehmen.

Entsorgung und Umweltschutz

Wird das Gerät außer Betrieb genommen, darf es nicht über den Hausmüll entsorgt werden. Der Benutzer ist für die Übergabe des Gerätes an eine geeignete Sammelstelle für Altgeräte verantwortlich. Die Nichteinhaltung dieser Regel kann gemäß den geltenden Vorschriften über die Abfallentsorgung bestraft werden. Die getrennte Sammlung und das Recycling der Altgeräte trägt zur Schonung der natürlichen Ressourcen

bei und sorgt für eine umwelt- und gesundheitsschonende Verwertungsweise. Weitere Informationen darüber, wo Sie Ihre Altgeräte entsorgen können, erhalten Sie bei Ihrem örtlichen Entsorgungsunternehmen. Der Hersteller und der Importeur übernehmen keine Verantwortung für das Recycling sowie die umweltfreundliche Verwertung von Abfällen, weder direkt noch über ein öffentliches System.

Geachte klant,

Hartelijk dank voor de aankoop van dit Arktic apparaat. Leest u deze gebruiksaanwijzing zorgvuldig voordat u het apparaat gebruikt, dit om schade door verkeerd gebruik te voorkomen. Lees vooral de veiligheidsinstructies aandachtig door.

Veiligheidsinstructies

- Onjuiste bediening en verkeerd gebruik van het apparaat kan ernstige schade aan het apparaat en verwonding van personen tot gevolg hebben.
- Dit apparaat is enkel bedoeld voor commercieel gebruik.
- Het apparaat mag alleen worden gebruikt voor het doel waarvoor het werd ontworpen. De fabrikant aanvaardt geen enkele aansprakelijkheid voor schade als gevolg van onjuiste bediening en verkeerd gebruik.
- Zorg dat het apparaat en de stekker niet met water of een andere vloeistof in aanraking komen. Mocht het apparaat onverhoopt in het water vallen, trek dan onmiddellijk de stekker uit het stopcontact en laat het apparaat controleren door een erkend vakman. Niet-naleving hiervan kan levensgevaar opleveren.
- Probeer nooit zelf de behuizing van het apparaat te openen.
- Steek geen voorwerpen in de behuizing van het apparaat.
- Raak de stekker niet met natte of vochtige handen aan.
- **Gevaar van elektrische schokken!** Probeer het apparaat niet zelf te repareren. In het geval van storingen, laat reparaties alleen uitvoeren door gekwalificeerd personeel.
- **Gebruik nooit een beschadigd apparaat!** Als het apparaat is beschadigd, haal de stekker dan uit het stopcontact en neem contact op met de winkel.
- **Waarschuwing!** Dompel de elektrische onderdelen van het apparaat niet onder in water of andere vloeistoffen. Houd het apparaat nooit onder stromend water.
- Controleer de stekker en het netsnoer regelmatig op schade. Als de stekker of het netsnoer is beschadigd, moet het worden vervangen door de technische dienst of een soortgelijk gekwalificeerd persoon om gevaar of letsel te voorkomen.
- Zorg ervoor dat het netsnoer niet in contact komt met scherpe of hete voorwerpen en houd het uit de buurt van open vuur. Als u de stekker uit het stopcontact wilt halen, trek dan altijd aan de stekker en niet aan het netsnoer.
- Zorg ervoor dat niemand per ongeluk aan het netsnoer (of verlengsnoer) kan trekken of kan struikelen over het netsnoer.
- Houd het apparaat in de gaten tijdens gebruik.
- **Waarschuwing!** Zolang de stekker in het stopcontact zit, is het apparaat aangesloten op de voedingsbron.
- Schakel het apparaat uit voordat u de stekker uit het stopcontact trekt.
- Draag het apparaat nooit aan het netsnoer.
- Gebruik geen extra hulpmiddelen die niet worden meegeleverd met het apparaat.
- Sluit het apparaat alleen aan op een stopcontact met de spanning en frequentie die is vermeld op het typeplaatje.

- Sluit de stekker aan op een stopcontact dat eenvoudig bereikt kan worden, zodat de stekker in geval van nood onmiddellijk uit het stopcontact kan worden getrokken. Trek de stekker volledig uit het stopcontact om het apparaat volledig uit te schakelen. Gebruik de stekker om het apparaat los te koppelen van het lichtnet.
- Schakel het apparaat altijd uit voordat u de stekker uit het stopcontact trekt.
- Gebruik nooit accessoires die niet worden aanbevolen door de fabrikant. Zij kunnen mogelijk een veiligheidsrisico vormen voor de gebruiker en kunnen het apparaat mogelijk beschadigen. Gebruik alleen originele onderdelen en accessoires.
- Dit apparaat is niet geschikt voor gebruik door personen (inclusief kinderen) met een verminderd fysiek, sensorisch of geestelijk vermogen, of gebrek aan ervaring en kennis.
- Dit apparaat mag onder geen enkele omstandigheid worden gebruikt door kinderen.
- Houd het apparaat en het netsnoer buiten bereik van kinderen.
- Kinderen mogen niet met het apparaat spelen.
- Koppel het apparaat altijd los van het lichtnet als het onbeheerd wordt achtergelaten en voordat het apparaat wordt gemonteerd, gedemonteerd of gereinigd.
- Laat het apparaat nooit onbeheerd achter tijdens gebruik.

Speciale voorzorgsmaatregelen

- Dit apparaat is ontworpen voor de kortstondige opslag en weergave van verpakte voedingsmiddelen zoals voedsel, ingrediënten, drank, inclusief wijn. Dit apparaat kan de temperatuur van levensmiddelen bij de gekoelde bedrijfstemperatuur continu binnen de voorgeschreven limieten houden.
- Bewaar geen andere materialen in dit apparaat. Plaats geen gevaarlijke producten, zoals brandstof, alcohol, verf, brandbare stoffen, explosieven, etc. in of in de buurt van dit apparaat. Er mogen geen medicijnen in dit apparaat worden bewaard.
- Producten die in het apparaat worden geplaatst moeten al voorgekoeld zijn. Als dit niet het geval is, kan vocht dat verdampt tijdens het koelen van voedsel condenseren in het de koelruimte, wat natuurlijk is en niet duidt op een defect aan het apparaat.
- Dit apparaat moet worden geïnstalleerd en na ingebruikname worden onderhouden door een gekwalificeerd of opgeleid persoon. En dit apparaat is bedoeld om gebruikt te worden door getraind of gekwalificeerd personeel, zoals keuken- of barpersoneel
- **WAARSCHUWING:** Gebruik geen mechanische apparaten of andere middelen om het ontdooiproces te versnellen, tenzij deze worden aanbevolen door de fabrikant.
- **WAARSCHUWING:** Beschadig het koelcircuit niet.



Let op! Gevaar voor brand! Het gebruikte koelmiddel is R600a. Dit is een ontvlambaar koelmiddel dat milieuvriendelijk is. Hoewel het ontvlambaar is, beschadigt het de ozonlaag niet en het draagt niet bij aan het broeikaseffect. Het gebruik van het koelmiddel leidt echter wel tot een lichte toename van het geluidsniveau van het apparaat. Het is mogelijk dat u, naast het geluid van de compressor, ook het koelmiddel hoort stromen in het systeem. Dit is onvermijdelijk en heeft geen nadelig effect op de prestaties van het apparaat. Tijdens het transport en de installatie van het apparaat moet erop worden gelet dat er geen onderdelen van het koelsysteem worden beschadigd. Lekkend koelmiddel kan uw ogen schaden.

- Het schuimblaasmiddel dat in dit apparaat wordt gebruikt is C_5H_{10} . Het is licht ontvlambaar.
- **WAARSCHUWING:** Houd alle ventilatieopeningen in de behuizing van het apparaat vrij. Zorg bij inbouw voor voldoende ventilatie in de omliggende structuur. Blokkeer de luchtinlaat en -uitlaat nooit om een goede luchtcirculatie te behouden.
- **WAARSCHUWING:** Gebruik geen elektrische apparaten in de voedselopslagruimte van het apparaat, tenzij deze van het type zijn die worden aanbevolen door de fabrikant.
- Plaats het apparaat uitsluitend op een schone, stabiele, droge en vlakke ondergrond.
- Houd het apparaat uit de buurt van warme oppervlakken en open vlammen. Bescherm het apparaat tegen stof, direct zonlicht, vocht en druppelend en spattend water.
- Laat tijdens het gebruik een ruimte van 10 cm vrij rond het apparaat voor ventilatie.
- Gebruik geen hard keukengerei op het glazen oppervlak. Gebruik geen waterstralen of stoomreiniger tijdens het schoonmaken en dompel het apparaat niet onder in water, omdat de onderdelen van het apparaat dan nat worden en dit kan leiden tot elektrische schokken.
- Plaats geen voorwerpen op het apparaat. Plaats geen open vuurbonnen (bijv. kaarsen) op of naast het apparaat. Plaats geen voorwerpen gevuld met vloeistof (bijv. vazen) op of in de buurt van het apparaat.
- Bedek het apparaat nooit tijdens gebruik. Dit kan brandgevaar veroorzaken.
- Was het apparaat niet met water. Wassen kan leiden tot lekkages en het risico op elektrische schokken verhogen.
- Maak geen extra openingen in het apparaat. Installeer geen gadgets in het apparaat.
- Overbelast de schappen in het product niet om schade te voorkomen. De maximale belasting van elk schap is ca. 8kg.
- Probeer niet op het apparaat te klimmen.

Het apparaat installeren

- Het apparaat mag niet worden gekanteld onder een hoek groter dan 45° . Wacht nadat het apparaat is geïnstalleerd 2 uur alvorens het aan te sluiten op het lichtnet en in te schakelen. Dit geldt ook als het apparaat op een later tijdstip wordt verplaatst.
- Het apparaat moet altijd worden geïnstalleerd in een droge omgeving.
- Laat tijdens de installatie minimaal 10 cm ruimte vrij aan de achter-, linker- en rechterkant voor voldoende ventilatie. Als u minder ruimte vrij laat voor ventilatie kan dit de efficiëntie beïnvloeden.
- We raden sterk aan het apparaat te installeren op een plaats met goede natuurlijke ventilatie om de ventilatie-eigenschappen optimaal te benutten.

Elektrische onderdelen en andere gevaren

- Er mogen geen andere apparaten op hetzelfde stopcontact als dit apparaat worden aangesloten.
- Plaats geen gevaarlijke producten, zoals brandstof, alcohol, verf, brandbare stoffen, explosieven, etc. in of in de buurt van dit apparaat, omdat dit kan leiden tot brandgevaar.
- Bewaar geen medicijnen in dit apparaat.

- Als u het apparaat heeft uitgeschakeld of losgekoppeld van het lichtnet, wacht dan ongeveer 5 minuten voordat u het apparaat opnieuw inschakelt.
- Was het apparaat niet met water. Wassen kan lekkage veroorzaken en het risico op elektrische schokken verhogen. Geen van de onderdelen/accessoires mag worden gewassen in de vaatwasser.

Beoogd gebruik

- Het apparaat is bestemd voor professioneel gebruik.
- Dit apparaat is uitsluitend bestemd om voedsel en drankjes koel te houden en te presenteren voor verkoop in restaurants, kantines en andere commerciële ondernemingen zoals bakkerijen, slagerijen, supermarkten, enz. Elk ander gebruik kan leiden tot schade aan het apparaat of lichamelijk letsel.
- Gebruik van het apparaat voor andere doeleinden wordt beschouwd als verkeerd gebruik van het apparaat. De gebruiker is volledig aansprakelijk voor alle risico's die voortvloeien uit verkeerd gebruik van het apparaat.

Installatie met aarding

Dit apparaat is geclassificeerd als beschermingsklasse I en moet worden aangesloten op een aansluiting met aarde. Aarding verlaagt de kans op elektrische schokken doordat elektrische stroom via een ontsnapingsdraad kan weglopen. Dit ap-

paraat is uitgerust met een snoer met een aardedraad en een geaarde stekker. De stekker moet in een stopcontact worden gestoken dat juist is geïnstalleerd en geaard.

De verschillende gebruiksonderdelen



Vorbereiding op eerste gebruik

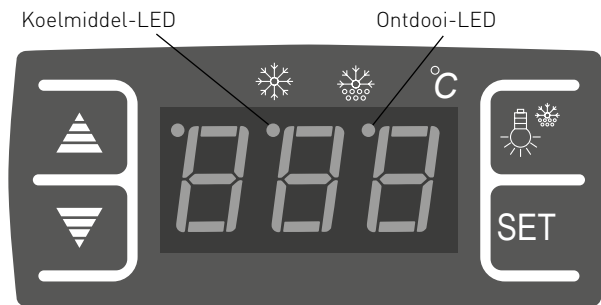
- Verwijder alle verpakkingsmaterialen.
- Controleer op volledigheid en eventuele transportschade. Neem in geval van schade of een onvolledige levering contact op met uw leverancier [Zie == > Garantie].
- Reinig alle onderdelen zoals beschreven [Zie ==> Reiniging en onderhoud].

- Plaats alle schappen in het apparaat.

Opmerking: Door fabricageresten kan het apparaat de eerste gebruikscyclus een lichte geur afgeven. Dit is normaal en duidt niet op een defect of gevaar. Zorg ervoor dat het apparaat goed wordt geventileerd.

Bediening

- Sluit het netsnoer eerst aan op de stroomingang op de achterkant van het apparaat, steek de stekker van het netsnoer daarna in een geschikt stopcontact.
- Laat het apparaat, voordat u drankjes of voedsel in het apparaat plaatst, enkele uren werken om de koeltemperatuur te bereiken.



- Gebruik digitale temperatuurregelaar (op de achterkant van het apparaat)
 - 1) De temperatuur instellen
 - Druk op **SET** om de instelmodus te openen. De ingestelde temperatuur wordt getoond.
 - Druk op of om de ingestelde temperatuur te verhogen of verlagen.
 - Druk nogmaals op **SET** om de instelling te bevestigen en te verlaten. Daarna wordt de temperatuur in de kast weergegeven

Opmerking:

 - Als er binnen 10 seconden geen knoppen worden ingedrukt, zal de nieuw ingestelde temperatuur worden opgeslagen.
 - De temperatuur kan worden ingesteld van 2°C tot 6°C. De werkelijke temperatuur in het apparaat kan worden beïnvloed door de omgevingstemperatuur.
 - Houd de deur zo kort mogelijk open om de temperatuur in de kast zo laag te houden.

- 2) Verlichting in de kast
 - Druk op om de lamp in te schakelen. Druk nogmaals op om de lamp uit te schakelen.
- 3) Koelmiddel-LED
 - Tijdens het koelen (compressor ingeschakeld), zal deze koelmiddel-LED constant opgelicht zijn.
 - Nadat de temperatuur in de kast de ingestelde temperatuur heeft bereikt, zal de koelmiddel-LED continu knipperen.
 - De koelmiddel-LED schakelt uit als het ontdooien start
- 4) Ontdooi-LED
 - Tijdens het ontdooien zal de ontdooi-LED constant branden.
 - De ontdooi-LED schakelt uit als het ontdooien is voltooid.

Reiniging en onderhoud

Let op: Haal de stekker van het apparaat altijd uit het stopcontact alvorens reinigings- & onderhoudswerkzaamheden uit te voeren.

Reiniging

- De binnen- en buitenoppervlakken mogen worden gereinigd met een vochtige doek en een beetje reinigingsmiddel.
- De schappen kunnen worden verwijderd en mogen worden gewassen in water.
- Gebruik geen waterstraal of stoomreiniger voor het reinigen en dompel het apparaat niet onder in water.
- Geen van de onderdelen mogen worden gewassen in de vaatwasser.
- Reinig het apparaat regelmatig.

Onderdelen	Hoe te reinigen	Opmerking
Alle accessoires zoals schappen, schaphouders, etc.	- Laat voor ongeveer 10 tot 20 minuten weken in een warm zeepsopje. - Spoel grondig af onder de kraan.	Droog alle onderdelen goed na het reinigen.
Externe glasoppervlakken	- Veeg schoon met een zachte doek en een beetje neutraal reinigingsmiddel. Zorg ervoor dat er geen water of vocht in het apparaat kan binnendringen.	
Interne glasoppervlakken	- Verwijder eventuele voedselafzettingen. - Veeg schoon met een zachte doek en een beetje mild reinigingsmiddel. Zorg ervoor dat er geen water of vocht in het apparaat kan binnendringen.	
Glazen deur		

Het apparaat langdurig buiten gebruik stellen

- Let op: Haal de stekker van het apparaat altijd uit het stopcontact.
- Verwijder alle voedingsmiddelen en dranken uit het apparaat.
- Reinig het apparaat zoals beschreven onder "Reiniging en onderhoud. (Zie ==> Reiniging).
- Bewaar het apparaat op een koele, schone plaats en houd het buiten het bereik van kinderen.

Problemen oplossen

Als het apparaat niet naar behoren functioneert, raadpleeg dan de onderstaande tabel voor een oplossing.

Als u het probleem nog steeds niet kunt oplossen, neem contact op met de leverancier/dienstverlener.

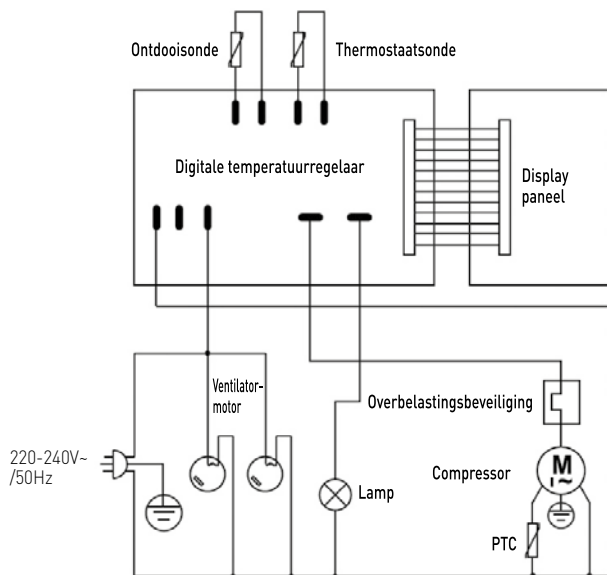
Problemen	Mogelijke oorzaak	Mogelijke oplossing
Het apparaat start niet met koelen nadat het is aangesloten op het lichtnet.	Thermische beveiliging geactiveerd.	Neem contact op met de leverancier/dienstverlener voor reparatie.
	De compressor is defect.	
	Het netsnoer is niet juist aangesloten op de stroomingang op het apparaat of het stopcontact.	Controleer de aansluiting en zorg ervoor dat alle aansluitingen juist zijn aangesloten.
Apparaat koelt niet voldoende.	Het apparaat wordt teveel blootgesteld aan direct zonlicht of staat te dicht in de buurt van een warmtebron.	Verplaats het apparaat naar een nieuwe locatie, om blootstelling aan direct zonlicht te voorkomen.
	De deuren zijn niet goed gesloten of de afdichting is defect.	Sluit de deuren goed.
	Teveel voedsel in het apparaat geplaatst.	Plaats minder voedsel in het apparaat.
	Ventilatie onvoldoende.	Controleer of er voldoende ventilatie is en of het apparaat minimaal 10cm uit de buurt van wanden of andere voorwerpen is geplaatst.
Teveel geluid.	Het apparaat is niet horizontaal geplaatst.	Controleer en zorg ervoor dat apparaat horizontaal is geplaatst.
	Het apparaat staat in contact met de wand of andere voorwerpen.	Controleer en zorg ervoor dat het apparaat minimaal 10 cm van andere voorwerpen en wanden is geplaatst.
	Er zitten enkele losse onderdelen in het apparaat.	Neem contact op met leverancier/dienstverlener voor reparatie.
De LED-lamp licht niet op	De LED is defect	Neem contact op met de leverancier/dienstverlener voor reparatie.

Technische specificaties

Itemnr.	233702	233719
Bedrijfsspanning en frequentie	220-240V~ /50 Hz	
Nominaal ingangsvermogen	160W	
Nominale stroom	1,4A	
Instellen temperatuur	Instellen van 2°C tot 6°C	
Nettogewicht (ca.)	57kg	66kg
Beschermingsklasse	Class I	
Klimaatklasse	4	
Gebruikt koelmiddel en inspuittingshoeveelheid	R600a / 50g	R600a / 65g
Vermogen lamp	2W (LED)	2,5W (LED)
Geluidsniveau	< 60 dB (A)	
Kleur	Zwart	
Capaciteit in kast	120L	160L
Buitenafmetingen	686x568x(H)686mm	850x568x(H)686mm

Opmerking: Technische specificaties onderhevig aan verandering zonder voorafgaande kennisgeving

Schakelschema (Item 233702, 233719)



Garantie

Elk defect waardoor de werking van het apparaat nadelig wordt beïnvloed dat zich binnen één jaar na aankoop van het apparaat voordoet, wordt gratis hersteld door reparatie of vervanging, mits het apparaat conform de instructies is gebruikt en onderhouden en niet op enigerlei wijze verkeerd is behandeld of misbruikt. Dit laat onverlet uw bij wet bepaalde rechten. Als de garantie van kracht

is, vermeld dan waar en wanneer u het apparaat hebt gekocht en sluit een aankoopbewijs bij (bijv. kassabon of factuur).

Gezien ons streven naar voortdurende verdere productontwikkeling behouden wij ons het recht voor, zonder voorafgaande kennisgeving wijzigingen aan te brengen aan product, verpakking en documentatie.

Verwijdering & milieu

Bij de buitengebruikstelling van het apparaat, mag het niet met het overige huisafval worden verwijderd. In plaats daarvan is het uw verantwoordelijkheid om uw afgedankte apparatuur in te leveren bij een daartoe aangewezen inzamelpunt. Het niet opvolgen van deze regel kan worden bestraft in overeenstemming met de geldende voorschriften voor afvalverwerking. De gescheiden inzameling en recycling van uw afgedankte apparatuur ten tijde van buitengebruikstelling helpt bij de instand-

houding van natuurlijke hulpbronnen en waarborgt dat de apparatuur wordt gerecycled op een manier die de volksgezondheid en het milieu beschermt. Voor meer informatie over waar u uw afval kunt inleveren voor recycling kunt u contact opnemen met uw lokale afvalverwerkingsbedrijf. De fabrikant en importeurs nemen geen verantwoordelijkheid voor de recycling, behandeling en ecologische verwijdering, hetzij rechtstreeks of via een openbaar systeem.

Szanowny Kliencie,

Dziękujemy za zakup urządzenia firmy Arktic. Prosimy o uważne zapoznanie się z niniejszą instrukcją przed podłączeniem urządzenia, aby uniknąć uszkodzeń spowodowanych niewłaściwą obsługą. Należy zwrócić szczególną uwagę na zasady bezpieczeństwa.

Zasady bezpieczeństwa

- Nieprawidłowa obsługa i niewłaściwe użytkowanie mogą spowodować poważne uszkodzenie urządzenia lub zranienie osób.
- Niniejsze urządzenie przeznaczone jest wyłącznie do użytku komercyjnego.
- Urządzenie należy stosować wyłącznie zgodnie z przeznaczeniem. Producent nie ponosi żadnej odpowiedzialności za szkody spowodowane nieprawidłową obsługą i niewłaściwym użytkowaniem urządzenia.
- W czasie użytkowania zabezpiecz urządzenie i wtyczkę kabla zasilającego przed kontaktem z wodą lub innymi płynami. W mało prawdopodobnym przypadku zanurzenia urządzenia w wodzie, należy natychmiast wyciągnąć wtyczkę z kontaktu, a następnie zlecić kontrolę urządzenia specjalście. Nieprzestrzeganie tej instrukcji może spowodować zagrożenie życia.
- Nigdy nie otwieraj samodzielnie obudowy urządzenia.
- Nie wtykaj żadnych przedmiotów w obudowę urządzenia.
- Nie dotykaj wtyczki kabla zasilającego wilgotnymi rękami.
- **Niebezpieczeństwo porażenia prądem!** Nie należy samodzielnie naprawiać urządzenia. Wszelkie usterki i niesprawności winny być usuwane wyłącznie przez wykwalifikowany personel.
- **Nigdy nie używać uszkodzonego urządzenia!** Uszkodzone urządzenie należy odłączyć od sieci i skontaktować się ze sprzedawcą.
- **Ostrzeżenie:** Nie zanurzać części elektrycznych urządzenia w wodzie ani w innych płynach. Nie wkładać urządzenia pod bieżącą wodę.
- Regularnie sprawdzać wtyczkę i sznur zasilający pod kątem uszkodzeń. Uszkodzoną wtyczkę lub sznur przekazać w celu naprawy do punktu serwisowego lub innej wykwalifikowanej osoby, aby zapobiec ewentualnym zagrożeniom i obrażeniom ciała.
- Upewnić się, czy sznur zasilający nie styka się z ostrymi ani gorącymi przedmiotami; trzymać sznur z dala od otwartego płomienia. Aby wyjąć wtyczkę z gniazdka, zawsze ciągnąć za wtyczkę, a nie za sznur.
- Zabezpieczyć sznur zasilający (lub przedłużający) przez przypadkowym wyciągnięciem z kontaktu. Sznur prowadzić w sposób uniemożliwiający przypadkowe potknięcie.
- Stałe nadzorować urządzenie podczas użytkowania.
- Ostrzeżenie! Jeżeli wtyczka jest włożona do gniazdka, urządzenie należy uważać za podłączone do zasilania.
- Przed wyjęciem wtyczki z gniazdka wyłączyć urządzenie!
- Nigdy nie przenosić urządzenia, trzymając za sznur.
- Nie używać żadnych akcesoriów, które nie zostały dostarczone wraz z urządzeniem.

- Urządzenie należy podłączać wyłącznie do gniazdka o napięciu i częstotliwości podanych na tabliczce znamionowej.
- Włożyć wtyczkę do gniazdka zlokalizowanego w dogodnym łatwo dostępnym miejscu, tak by w przypadku awarii istniała możliwość natychmiastowego odłączenia urządzenia. W celu całkowitego wyłączenia urządzenia odłączyć je od źródła zasilania. W tym celu wyjąć z gniazdka wtyczkę znajdującą się na końcu sznura odłączanego urządzenia.
- Przed odłączeniem wtyczki zawsze pamiętać o wyłączeniu urządzenia!
- Nie korzystać z akcesoriów niezalecanych przez producenta. Zastosowanie niezalecanych akcesoriów może stwarzać zagrożenie dla użytkownika oraz prowadzić do uszkodzenia urządzenia. Korzystać wyłącznie z oryginalnych części i akcesoriów.
- Z urządzenia nie mogą korzystać osoby (także dzieci), u których stwierdzono osłabione zdolności fizyczne, sensoryczne lub umysłowe, albo którym brakuje odpowiedniej wiedzy i doświadczenia.
- W żadnym wypadku nie zezwalać na obsługę urządzenia przez dzieci.
- Urządzenie wraz ze sznurem przechowywać poza zasięgiem dzieci.
- Nie dopuścić, by dzieci wykorzystywały urządzenie do zabawy.
- Zawsze odłączyć urządzenie od zasilania, jeżeli ma być ono pozostawione bez nadzoru, a także przed montażem, demontażem i czyszczeniem.
- Nie zostawiać urządzenia bez nadzoru podczas użytkowania.

Szczególne przepisy bezpieczeństwa

- Niniejsze urządzenie przeznaczone jest do krótkotrwałego przechowywania i ekspozycji zapakowanych produktów spożywczych, takich jak żywność, składniki i napoje, w tym wino. Niniejsze urządzenie może utrzymywać temperaturę umieszczonych w nim produktów żywnościowych w zakresie temperatury (chłodzenia) określonym w niniejszym dokumencie.
- Nie przechowuj w urządzeniu innych produktów. Nie umieszczaj w witrynie chłodniczej ani w jej pobliżu produktów niebezpiecznych takich jak paliwo, alkohol, farby, materiały łatwopalne i wybuchowe itp. Wewnątrz urządzenia nie przechowuj leków.
- Produkty umieszczane w witrynie chłodniczej muszą zostać wcześniej schłodzone. W przeciwnym przypadku para wydobywająca się ze schładzanych produktów może skroplić się wewnątrz komory chłodzenia - jest to zjawisko normalne i nie wskazuje na uszkodzenie urządzenia.
- Niniejsze urządzenie musi zostać zamontowane, oddane do użytku oraz serwisowane przez wykwalifikowany lub przeszkolony personel. Urządzenie powinno być obsługiwane przez odpowiednio przeszkolony lub wykwalifikowany personel, np. personel kuchenny lub osoby obsługujące bar.
- **OSTRZEŻENIE:** Nie używaj przyrządów mechanicznych ani narzędzi innych niż zalecane przez producenta w celu przyspieszenia procesu odmrażania.
- **OSTRZEŻENIE:** Nie wolno doprowadzić do uszkodzenia obiegu czynnika chłodniczego.



- **Uwaga! Niebezpieczeństwo powstania ognia!** W urządzeniu wykorzystany jest czynnik chłodniczy R600a. Jest to przyjazny dla środowiska łatwopalny czynnik chłodniczy. Chociaż czynnik jest łatwopalny, nie jest szkodliwy dla warstwy ozonowej i nie ma wpływu na efekt cieplarniany. Wykorzystanie tego czynnika chłodniczego prowadzi jednak do nieznacznego podwyższenia poziomu hałasu wytwarzanego przez urządzenie. Poza hałasem generowanym przez sprężarkę, użytkownik może usłyszeć dźwięk spowodowany przepływem czynnika chłodniczego. Powyższego zjawiska nie da się uniknąć i nie ma on negatywnego wpływu na funkcjonowanie urządzenia. Podczas transportu i ustawiania urządzenia należy zachować szczególną ostrożność, by nie uszkodzić żadnych części systemu chłodniczego. Wyciekający czynnik chłodniczy może prowadzić do uszkodzenia oczu.
- W tym urządzeniu zastosowano porofor piankowy C₅H₁₀. Jest wysoce łatwopalny.
- **OSTRZEŻENIE:** Nie zasłaniaj otworów wentylacyjnych obudowy urządzenia. W przypadku zabudowania urządzenia upewnij się, czy ma ono zapewnioną właściwą wentylację. Nigdy nie blokuj przepływu powietrza wokół urządzenia, aby zapewnić właściwą cyrkulację powietrza.
- **OSTRZEŻENIE:** Wewnątrz komór nadstawy chłodniczej nie używaj urządzeń elektrycznych innych niż zalecane przez producenta.
- Urządzenie ustawiaj wyłącznie na czystej, stabilnej, suchej i poziomej powierzchni.
- Przechowuj z dala od gorących powierzchni i otwartego ognia. Upewnij się, czy urządzenie nie jest narażone na działanie wysokich temperatur, pyłu, promieni słonecznych, wilgoci, kapiącej wody i rozbryzgów.
- W trakcie korzystania pozostaw przestrzeń ok. 10 cm wokół urządzenia w celu zapewnienia prawidłowej wentylacji.
- Nie uderzaj twardymi narzędziami w szklane elementy urządzenia. Nie czyść urządzenia za pomocą bezpośredniego strumienia wody lub myjki parowej, ani nie płucz przy użyciu wody - istnieje ryzyko porażenia prądem.
- Nie kładź żadnych przedmiotów na urządzeniu. W pobliżu urządzenia nie umieszczaj żadnych źródeł otwartego ognia (np. zapalonych świec). W pobliżu urządzenia nie umieszczaj żadnych przedmiotów napełnionych wodą (np. wazonów).
- Nie przykrywaj urządzenia w trakcie eksploatacji. Stwarza to niebezpieczeństwo pożaru.
- Nie czyść urządzenia za pomocą wody. Mycie urządzenia może spowodować przedostanie się wody do części elektrycznych i doprowadzić do porażenia prądem.
- Nie wywiercaj żadnych dodatkowych otworów w urządzeniu. Nie montuj żadnych dodatkowych akcesoriów na urządzeniu.
- Wewnątrz urządzenia nie umieszczaj dużej ilości żywności, aby zapobiec jego uszkodzeniu. Maksymalne obciążenie każdej półki wynosi ok. 8 kg.
- Nie próbuj wchodzić na urządzenie.

Montaż urządzenia

- Urządzenie nie powinno stać przechylone pod kątem większym niż 45°. Po przeprowadzeniu montażu urządzenia odczekaj 2 godziny przed podłączeniem go do źródła zasilania i uruchomieniem. Powyższe zalecenie dotyczy również sytuacji, gdy urządzenie jest w późniejszym terminie przestawiane w inne miejsce.
- Urządzenie musi zostać zamontowane w suchym miejscu.
- Podczas montażu pozostaw co najmniej 10 cm przestrzeni z tyłu oraz po obu stronach urządzenia w celu zapewnienia właściwej wentylacji. Pozostawienie mniejszej przestrzeni może mieć wpływ na wydajność urządzenia.
- Zaleca się montaż urządzenia w miejscu o dobrej wentylacji naturalnej, dzięki czemu urządzenie będzie odpowiednio wentylowane.

Elementy elektryczne i inne zagrożenia

- Żaden inny sprzęt nie powinien być podłączony do tego samego źródła zasilania, do którego podłączone jest urządzenie.
- Nie umieszczaj w szafie chłodniczej lub w jej pobliżu produktów niebezpiecznych takich jak paliwo, alkohol, farba, materiały łatwopalne i wybuchowe itp. - niebezpieczeństwo pożaru.
- W urządzeniu nie przechowuj leków.
- Po wyłączeniu lub odłączeniu urządzenia od źródła zasilania, odczekaj ok. 5 minut przed jego ponownym uruchomieniem.
- Nie czyść urządzenia za pomocą wody. Mycie urządzenia może spowodować przedostanie się wody do części elektrycznych i doprowadzić do porażenia prądem. Części/akcesoria urządzenia nie nadają się do mycia w zmywarce.

PL

Przeznaczenie

- Urządzenie przeznaczone jest do zastosowania profesjonalnego.
- Urządzenie jest przeznaczone wyłącznie do przechowywania żywności lub napojów w stanie schłodzonym i wyświetlania ich w sprzedaży detalicznej w restauracjach, stołówkach i innych obiektach komercyjnych, takich jak piekarnie, sklepy mięsne, supermarkety itp. Użycie urządzenia w ja-

kimkolwiek innym celu może prowadzić do jego uszkodzenia bądź obrażeń ciała.

- Wykorzystanie urządzenia w jakimkolwiek innym celu uznane będzie za wykorzystanie niezgodne z przeznaczeniem. Użytkownik będzie wyłącznie odpowiedzialny za nieprawidłowe wykorzystanie urządzenia.

Montaż uziemienia

Szafa chłodnicza jest urządzeniem I klasy ochronności i wymaga uziemienia. Uziemienie zmniejsza ryzyko porażenia prądem, dzięki zastosowaniu przewodu odprowadzającego prąd elektryczny.

Urządzenie wyposażone jest w przewód z uziemieniem z wtykiem uziemiającym. Nie wkładaj wtyczki do kontaktu, jeśli urządzenie nie zostało odpowiednio zainstalowane i uziemione.

Części urządzenia

Półka

Szklane drzwi

Zasysanie powietrza

Nigdy nie blokuj miejsca zasysania powietrza. Powietrze jest zasysane i zimne powietrze cyrkuluje wewnątrz witryny chłodniczej.

Położenie półki może być regulowane i dostosowywane do różnego rodzaju żywności. Regulacja półki:
1. Wymyj półkę.
2. Przetóż wspornik półki na wymagane położenie
3. Umieść półkę z powrotem na wspornikach.

Wylot powietrza

Nigdy nie blokuj miejsca wylotu powietrza. Przez otwór wylotu chłodne powietrze odprowadzane jest na zewnątrz urządzenia.



Przed pierwszym użyciem

- Zdejmij i usuń opakowanie i zabezpieczenia.
- Sprawdź urządzenie pod kątem kompletności. W przypadku niepełnej dostawy lub uszkodzeń skontaktuj się z dostawcą (patrz: Gwarancja).
- Wyczyść wszystkie części urządzenia zgodnie z instrukcją (Patrz==> Czyszczenie i konserwacja).
- Umieść wszystkie półki w urządzeniu.

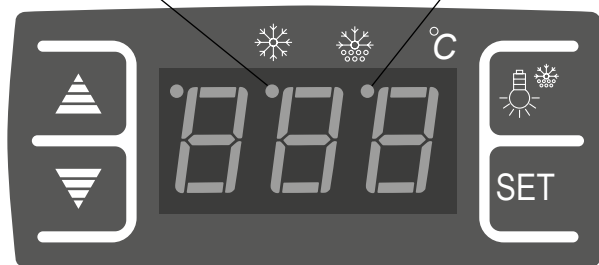
Uwaga: Ze względu na pozostałości z procesu produkcyjnego, podczas kilku pierwszych uruchomień z urządzenia może wydobywać się nieprzyjemny zapach. Jest to zjawisko normalne i nie świadczy o uszkodzeniu urządzenia ani zagrożeniu dla użytkownika. Sprawdź, czy urządzenie jest dobrze wentylowane.

Użytkowanie

- Najpierw podłącz demontowalny kabel zasilający do gniazdka urządzenia, a następnie podłącz urządzenie do właściwego źródła zasilania.
- Przed umieszczeniem w urządzeniu żywności i napojów, pozostaw je włączone na kilka godzin, by osiągnęło właściwą temperaturę chłodzenia.

Dioda sygnalizująca LED chłodzenia

Dioda rozmrażania



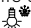

1) Ustawienie temperatury

- Wciśnij **SET**, aby wejść w tryb ustawień. Na wyświetlaczu pojawi się ustawiona temperatura.
- Wciśnij ▲ lub ▼, aby zwiększyć lub zmniejszyć ustawioną temperaturę.
- Wciśnij ponownie **SET**, aby potwierdzić wprowadzoną temperaturę i wyjść. Na wyświetlaczu

pojawi się temperatura ustawiona wewnątrz nadstawy.

Uwaga:

- Jeśli w ciągu 10 sekund nie zostanie wciśnięty żaden przycisk, nadstawa ustawi nowo wprowadzoną temperaturę.

- Zakres ustawień temperatury: od 2°C do 6°C. Na zmianę temperatury wewnątrz produktu może wpływać temperatura otoczenia.
 - Aby utrzymać niską temperaturę wewnątrz witryny, nie otwieraj jej drzwi na zbyt długo.
- 2) Ustawienie światła wewnątrz witryny
- Wciśnij , aby włączyć światło wewnątrz witryny. Wciśnij ponownie , aby je wyłączyć.
- 3) Dioda sygnalizująca LED chłodzenia
- Podczas chłodzenia nadstawy (uruchomiony kompresor), dioda chłodzenia będzie się nieprzerwanie palić.
- 4) Dioda rozmrażania
- Podczas rozmrażania nadstawy, dioda rozmrażania będzie się nieprzerwanie palić.
 - Po zakończeniu rozmrażania, dioda rozmrażania zgaśnie.

Czyszczenie i konserwacja

Uwaga: Przed czyszczeniem i konserwacją zawsze odłącz urządzenie od źródła zasilania wyjmując wtyczkę z gniazdka.

Czyszczenie

- Powierzchnie wewnętrzne i zewnętrzne urządzenia można czyścić przy pomocy wilgotnej ściereczki z niewielką ilością detergentu.
- Półki można wyjąć z urządzenia i umyć zanurzając w wodzie.
- Do czyszczenia urządzenia nie używaj bezpośredniego strumienia wody, myjki parowej, ani nie zanurzaj całego urządzenia w wodzie.
- Części urządzenia nie mogą być czyszczone w zmywarce.
- Czyść urządzenie regularnie.

Części	Czyszczenie	Uwagi
Części urządzenia takie jak półki, wsporniki do nich itp.	- Zanurz w ciepłej wodzie z mydłem na około 10-20 minut. - Słucz dokładnie pod bieżącą wodą.	Dokładnie wysusz wszystkie części.
Zewnętrzne powierzchnie szklane	- Wytrzyj miękką szmatką z niewielką ilością neutralnego detergentu. Upewnij się, czy do wnętrza urządzenia nie przedostała się woda lub wilgoć.	
Wewnętrzne powierzchnie szklane	- Usuń resztki żywności. - Wytrzyj miękką szmatką z niewielką ilością łagodnego detergentu. Upewnij się, czy do wnętrza urządzenia nie przedostała się woda lub wilgoć.	
Szklane drzwi		

Przechowywanie urządzenia podczas przerwy w użytkowaniu

- Uwaga: Zawsze odłącz urządzenie od źródła zasilania.
- Usuń z urządzenia wszelką żywność i napoje.
- Umyj urządzenie zgodnie ze wskazówkami zawartymi w punkcie Czyszczenie i konserwacja. (Patrz==> Czyszczenie i konserwacja).
- Przechowuj urządzenie w chłodnym, czystym miejscu poza zasięgiem dzieci.

Wyszukiwanie i usuwanie usterek

Jeśli urządzenie nie działa prawidłowo, zapoznaj się z poniższą tabelą w celu znalezienia prawidłowego rozwiązania. Jeśli nie możesz rozwiązać problemu, skontaktuj się z dostawcą.

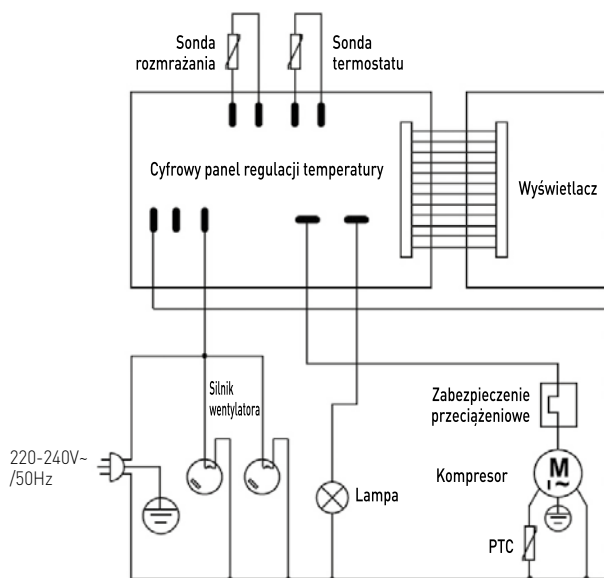
Problem	Możliwa przyczyna	Możliwe rozwiązanie
Urządzenie nie rozpoczyna procesu chłodzenia po podłączeniu do zasilania.	Uruchomił się bezpiecznik termiczny	Skontaktuj się z dostawcą / usługodawcą w celu naprawy urządzenia.
	Kompresor jest uszkodzony.	
	Wtyczka/gniazdko urządzenia nie jest odpowiednio podłączone do źródła zasilania.	Sprawdź i upewnij się, czy wszystkie elementy są prawidłowo podłączone.
Chłodzenie jest zbyt słabe.	Urządzenie wystawione jest na silne działanie promieni słonecznych lub ustawione jest blisko źródła ciepła.	Przestaw urządzenie w inne miejsce, z dala od bezpośrednich promieni słonecznych.
	Drzwi nie są prawidłowo zamknięte lub uszczelka jest uszkodzona.	Zamknij prawidłowo drzwi.
	W urządzeniu znajduje się zbyt dużo żywności.	Wymij z urządzenia część żywności.
	Niewystarczająca wentylacja wokół urządzenia.	Upewnij się, czy urządzenie ma zagwarantowaną właściwą wentylację poprzez pozostawienie 10 cm przestrzeni wokół niego.
Urządzenie generuje dużo hałasu.	Urządzenie nie jest ustawione w pozycji poziomej.	Upewnij się, czy urządzenie ustawione zostało w pozycji poziomej.
	Urządzenie styka się ze ścianą lub innymi obiektami.	Upewnij się, czy wokół urządzenia znajduje się co najmniej 10 cm przestrzeni.
	Wewnątrz urządzenia znajdują się obluźnione elementy.	Skontaktuj się z dostawcą / usługodawcą w celu naprawy urządzenia.
Dioda nie zapala się	Uszkodzona dioda	Skontaktuj się z dostawcą / usługodawcą w celu naprawy urządzenia.

Specyfikacja techniczna

Nr produktu	233702	233719
Napięcie robocze i częstotliwość	220-240V- /50 Hz	
Znamionowy pobór mocy	160W	
Prąd znamionowy	1,4A	
Ustawienie temperatury	Od 2°C to 6°C	
Waga netto (ok.):	57kg	66kg
Stopień ochrony:	Klasa I	
Klasa klimatyczna	4	
Czynnik chłodniczy / ilość wtryskiwanego czynnika	R600a / 50g	R600a / 65g
Moc światła	2W (LED)	2,5W (LED)
Poziom hałasu	< 60 dB (A)	
Kolor	Czarny	
Pojemność witryny	120L	160L
Wymiary zewnętrzne	686x568x(wys.)686mm	850x568x(wys.)686mm

Uwaga: Specyfikacja techniczna może ulec zmianie bez uprzedzenia.

Schemat elektryczny (produkt nr 233702, 233719)



Gwarancja

Każda usterka powodująca złe funkcjonowanie urządzenia, która ujawni się w ciągu jednego roku od zakupu, zostanie bezpłatnie usunięta lub urządzenie zostanie wymienione na inne, pod warunkiem, że było użytkowane i konserwowane zgodnie z instrukcją obsługi i nie było wykorzystywane do innych celów lub w jakikolwiek inny niewłaściwy sposób. Nie narusza to innych praw użytkownika, wynikających z przepisów prawa. W przypadku ko-

rzystania z gwarancji, należy podać miejsce i czas zakupu urządzenia, dotychczas do niego dowód zakupu [np. paragon].

Zgodnie z naszą polityką ciągłego udoskonalania produktów zastrzegamy sobie prawo do wprowadzania zmian w produkcie, opakowaniu oraz specyfikacjach zawartych w dokumentacji bez uprzedniego powiadomienia.

Wycofanie z użytkowania i ochrona środowiska

Pamiętaj!

Nie wyrzucaj zużytego sprzętu łącznie z innymi odpadami

Nie demontuj zużytych urządzeń zawierających niebezpieczne składniki na własną rękę!

Groźą Ci za to kary grzywny!

Po zakończeniu eksploatacji produktu nie wolno gromadzić razem z odpadami komunalnymi, tylko należy odstawić do punktu odbioru odpadów elektrycznych i elektronicznych. Użytkownik ponosi odpowiedzialność za przekazanie wycofanego z użytkowania urządzenia do punktu gospodarowania odpadami. Nieprzestrzeganie tej zasady może być karane zgodnie z lokalnie obowiązującymi przepisami dotyczącymi gospodarowania odpadami. Jeśli urządzenie wycofane z użytkowania jest poprawnie odebrane jako osobny odpad, może zostać przetworzone i zutylizowane w sposób przyjazny dla środowiska, co zmniejsza negatywny wpływ na środowisko i zdrowie ludzi. Aby uzyskać więcej informacji dotyczących dostępnych usług w zakresie odbioru odpadów, należy skontaktować się z lokalną firmą odbierającą odpady.



Symbol przekreślonego kosza na śmieci oznacza, że tego produktu nie wolno wyrzucać do zwykłych pojemników na odpady.

Zużyte urządzenia elektryczne i elektronicznie mogą zawierać niebezpieczne składniki np. rtęć, ołów, kadm lub freon. Jeśli tego typu substancje przedostaną się w sposób niekontrolowany do środowiska, spowodują skażenie wody i gleby, a także wpłyną niekorzystnie na zdrowie ludzi i zwierząt.

Właściwe postępowanie ze zużytym sprzętem zapobiega potencjalnym negatywnym konsekwencjom dla środowiska naturalnego i ludzkiego zdrowia.

Jednocześnie oszczędzamy naturalne zasoby naszej Ziemi wykorzystując powtórnie surowce uzyskane z przetwarzania sprzętu.

Cher client,

Merci d'avoir acheté cet appareil de Arktic. Veuillez lire attentivement ce mode d'emploi avant de brancher l'appareil afin d'éviter tout endommagement pour cause d'usage abusif. Veuillez notamment lire les consignes de sécurité avec la plus grande attention.

Règles de sécurité

- L'utilisation abusive et le maniement incorrect de l'appareil peuvent entraîner une grave détérioration de l'appareil ou provoquer des blessures.
- Cet appareil est destiné à un usage professionnel uniquement.
- L'appareil doit être utilisé uniquement pour le but il a été conçu. Le fabricant décline toute responsabilité en cas de dommage consécutif à un usage abusif ou un maniement incorrect.
- Veillez à tenir l'appareil et la prise électrique hors de portée de l'eau ou de tout autre liquide. Si malencontreusement l'appareil tombe dans l'eau, débranchez immédiatement la prise électrique et faites contrôler l'appareil par un réparateur agréé. La non-observation de cette consigne entraîne un risque d'accident mortel.
- Ne tentez jamais de démonter vous-même le bâti de l'appareil.
- N'enfoncez aucun objet dans la carcasse de l'appareil.
- Ne touchez pas la prise avec les mains mouillées ou humides.
- **Risque d'électrocution!** Ne tentez jamais de réparer l'appareil. Tous défauts et dysfonctionnement doivent être supprimés par le personnel qualifié.
- **N'utilisez jamais l'appareil endommagé!** Débranchez l'appareil endommagé de l'alimentation électrique et contactez votre revendeur.
- **Avertissement:** N'immergez pas les pièces électriques de l'appareil dans l'eau ou dans d'autres liquides. Ne mettez pas l'appareil sous l'eau courante.
- Vérifiez régulièrement la fiche et le câble d'alimentation pour les dommages. La fiche ou le câble d'alimentation endommagé(e) transmettre pour la réparation au service ou à une personne qualifiée, pour prévenir tous les menaces ou les blessures possibles.
- Assurez-vous que le câble d'alimentation n'est pas en contact avec les objets pointus ou chauds ; gardez le câble loin des flammes nues. Pour retirer la fiche de la prise murale, tirez toujours en tenant la fiche et non le câble d'alimentation.
- Protégez le câble d'alimentation (ou la rallonge) contre le débranchement accidentel de la prise murale. Le câble doit être posé de manière ne provoquant pas les chutes accidentelles.
- Surveillez en permanence l'appareil pendant l'utilisation.
- **Avertissement !** Si la fiche est insérée dans la prise murale, l'appareil doit être considéré comme branché à l'alimentation.
- Avant de retirer la fiche de la prise, éteignez l'appareil !
- Ne transportez jamais l'appareil en tenant le câble.
- N'utilisez aucuns accessoires qui n'ont pas été fournis avec l'appareil.

FR

- L'appareil doit être branché à la prise murale avec une tension et la fréquence indiquées sur la plaque signalétique.
- Insérez la fiche à la prise murale située dans un endroit facilement accessible de sorte qu'en cas de panne l'appareil puisse être immédiatement déconnecté. Pour éteindre complètement l'appareil, débranchez-le de la source d'alimentation. Pour cela, retirez la fiche à l'extrémité du câble d'alimentation de la prise murale.
- Eteignez l'appareil avant de débrancher l'appareil de la prise!
- N'utilisez jamais les accessoires non recommandés par le fabricant. L'utilisation des accessoires non recommandés peut présenter des risques pour l'utilisateur et provoquer les dommages à l'appareil. Utilisez uniquement des pièces et accessoires originaux.
- Cet appareil n'est pas apte à être utilisé par des personnes (enfants compris) avec capacités physiques, sensorielles ou intellectuelles diminuées ou ne possédant pas l'expérience et les connaissances suffisantes.
- Ne laissez jamais les enfants utiliser l'appareil.
- L'appareil et le câble d'alimentation doivent être stockés hors de la portée des enfants.
- Ne permettez pas aux enfants d'utiliser l'appareil pour jouer
- Débranchez toujours l'appareil de l'alimentation s'il doit être laissé sans surveillance et également avant le montage, le démontage et le nettoyage.
- Ne laissez jamais l'appareil sans surveillance lorsqu'il est utilisé.

Consignes particulières de sécurité

- Le présent appareil est destiné pour le stockage à court terme des aliments emballés, des ingrédients et des boissons, y compris du vin. Le présent appareil peut maintenir la température des produits dans la plage de la température (refroidissement) spécifiée dans le présent document.
- Ne stockez pas dans l'appareil d'autres produits. Ne placez pas dans le réfrigérateur ou à proximité des produits dangereux tels que le carburant, l'alcool, la peinture, les matériaux inflammables et explosifs. Ne stockez pas dans le réfrigérateur des médicaments.
- Les produits placés dans la vitrine réfrigérant doivent être prérefroidis. Dans le cas contraire, la vapeur qui est émise par les produits réfrigérés peut se condenser à l'intérieur de la chambre de refroidissement – ce phénomène est normal et ne signifie pas un mauvais fonctionnement de l'appareil.
- Le présent appareil doit être installé et mis en service et entretenu par un personnel qualifié ou formé. L'appareil doit être utilisé par du personnel par exemple par les employés de la cuisine ou du bar.
- **AVERTISSEMENT:** N'utilisez jamais de dispositifs mécaniques ou des outils autres que ceux recommandés par le fabricant pour accélérer le dégivrage.
- **AVERTISSEMENT:** Faites attention à ne pas endommager le circuit du réfrigérant.



Attention ! Risque d'incendie ! Dans l'appareil est utilisé le réfrigérant R600a. C'est un réfrigérant inflammable respectueux de l'environnement. Bien qu'il soit inflammable, il n'est pas dangereux pour la couche d'ozone et il n'affecte pas l'effet de serre. Cependant, l'utilisation de ce réfrigérant pro-

voque une légère augmentation du niveau de bruit produit par l'appareil. En outre du bruit généré par le compresseur, l'utilisateur peut entendre un bruit provoqué par le flux de réfrigérant. Le phénomène décrit ci-dessus est inévitable mais il ne provoque aucun impact négatif sur le fonctionnement de l'appareil. Pendant le transport et l'installation de l'appareil, il faut garder des précautions particulières pour ne pas endommager les pièces du système de réfrigération. La fuite du réfrigérant peut causer les lésions oculaires.

- L'agent d'expansion de mousse utilisé dans cet appareil est le C₅H₁₀. Il est hautement inflammable.
- **AVERTISSEMENT:** N'obstruez pas les bouches de ventilation dans le boîtier de l'appareil. En cas d'installation fixe de l'appareil, assurez-vous qu'il y a une ventilation adéquate. Ne bloquez jamais de flux d'air autour de l'appareil pour ne pas entraîner une bonne circulation d'air.
- **AVERTISSEMENT:** N'utilisez pas à l'intérieur des chambres de la vitrine réfrigérant de l'équipement électrique autre que ceux recommandés par le fabricant.
- Placez l'appareil sur une surface propre, stable, plane et sec.
- Stockez loin des surfaces chaudes et des flammes nues. Assurez-vous que l'appareil n'est pas exposé à des températures élevées, à la poussière, à la lumière du soleil, à l'humidité, aux éclaboussures et aux gouttes d'eau.
- Laissez au moins 10 cm d'espace autour de l'appareil pour assurer une bonne ventilation.
- Ne frappez pas les éléments en verre avec des outils durs. Ne nettoyez pas l'appareil à l'aide d'un jet d'eau direct ou un nettoyeur à vapeur, ne rincez pas à l'eau – risque d'un choc électrique, n'immergez pas l'appareil dans l'eau à cause du risque de choc électrique.
- Ne placez rien sur l'appareil. Ne placez pas près de l'appareil ou sur l'appareil d'objets brûlants (par exemple des bougies allumées). Ne placez pas près de l'appareil ou sur l'appareil d'objets remplis d'eau (par exemple des vases).
- Ne couvrez pas l'appareil lors de l'utilisation en raison du risque d'incendie.
- Ne nettoyez pas l'appareil avec de l'eau. Le lavage de l'appareil peut provoquer la pénétration de l'eau dans des pièces électriques et entraîner un choc électrique.
- Ne percez pas les trous supplémentaires dans l'appareil. Ne montez aucun équipement supplémentaire dans l'appareil.
- Ne placez pas à l'intérieur de l'appareil trop de nourriture pour éviter tout dommage. La charge maximale de l'étagère est de 8 kg environ.
- N'essayez pas d'entrer sur l'appareil.

FR

Installation de l'appareil

- L'appareil ne doit pas être incliné à un angle supérieur à 45°. Après l'installation de l'appareil, attendez 2 heures avant de connecter l'appareil à une source d'alimentation et avant de le mettre en marche. Cette recommandation vaut également lorsque l'appareil est déplacé dans un autre endroit.
- L'appareil doit être monté dans un endroit sec.

- Lors de l'installation, laissez au moins 10 cm à l'arrière et des deux côtés de l'appareil pour assurer une ventilation adéquate. Si vous laissez moins d'espace, cela peut affecter l'efficacité de l'appareil.
- Il est recommandé d'installer l'appareil dans un endroit avec une bonne ventilation naturelle, de sorte que l'appareil est correctement ventilé.

Eléments électriques et autres risques

- Ne branchez aucun autre équipement à la même source d'alimentation à laquelle l'appareil est connecté.
- Ne placez pas dans le réfrigérateur ou à proximité des produits dangereux tels que le carburant, l'alcool, la peinture, les matériaux inflammables et explosifs en raison du risque d'incendie.
- Ne stockez pas dans le réfrigérateur des médicaments.
- Après avoir débranché l'appareil de la source d'alimentation, attendez environ 5 minutes avant de le redémarrer.
- Le lavage de l'appareil peut provoquer la pénétration de l'eau dans des pièces électriques et entraîner un choc électrique. Aucune pièce ou aucun accessoire de l'appareil ne peuvent pas être lavé(s) au lave-vaisselle.

Destination de l'appareil

- L'appareil est destiné à un usage professionnel.
 - Cet appareil est conçu uniquement pour conserver au frais des aliments et des boissons et pour les exposer à la vente dans les restaurants, les cantines, d'autres entreprises commerciales comme les boulangeries, les boucheries, les supermar-
- chés, etc. L'utilisation de l'appareil à d'autres fins peut entraîner des dommages ou des blessures.
- L'utilisation de l'appareil à d'autres fins sera considérée comme une utilisation inappropriée. L'utilisateur sera seul responsable de l'utilisation incorrecte de l'appareil.

Mise à la terre

Le réfrigérateur est un appareil de la Ière classe de protection et doit être obligatoirement mis à la terre. La mise à la terre réduit le risque de choc électrique grâce à un conduit évacuant le courant

électrique. L'appareil est équipé d'un conduit avec la mise à la terre et la prise de terre. N'insérez pas la fiche à la prise murale si l'appareil n'a pas été correctement installé et mis à la terre.

Eléments de l'appareil



Avant la première utilisation

- Retirez et éliminez l'emballage et toutes les protections.
- Vérifiez l'appareil et les accessoires en ce qui concerne l'intégralité. En cas de livraison incomplète ou de dommages, contactez votre fournisseur (voir=> Garantie).
- Nettoyez toutes les parties de l'appareil selon les instructions (Voir=> Nettoyage et entretien).

- Placez toutes les étagères dans l'appareil.

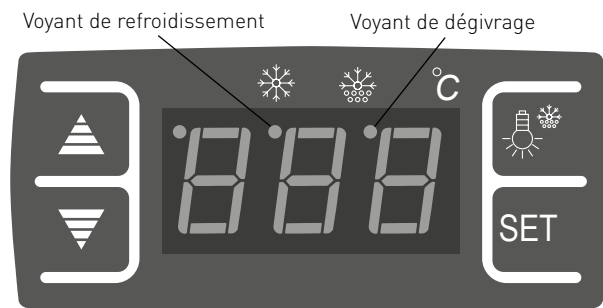
Attention: En raison des résidus de production, l'appareil peut émettre une odeur désagréable au début du fonctionnement. Ce phénomène est tout à fait normal et ne signifie pas un mauvais fonctionnement ou le fonctionnement dangereux. Assurez-vous que l'appareil est bien ventilé.

FR

Fonctionnement

- Branchez le câble d'alimentation détachable à la prise de l'appareil, ensuite branchez l'appareil à la source d'alimentation appropriée.

- Avant de placer les aliments et les boissons dans l'appareil, laissez-le allumé pendant quelques heures pour atteindre la température de refroidissement correcte.





- Fonctionnement du panneau de commande numérique de réglage de la température (à l'avant de l'appareil)
1) Réglage de la température
- Appuyez sur **SET**, pour accéder au mode de réglage. L'écran affiche la température de consigne.

- Appuyez sur ▲ ou ▼ pour augmenter ou réduire la température réglée.
- Appuyez encore une fois sur **SET** pour confirmer la température réglée et pour quitter. L'écran affiche la température réglée à l'intérieur de la vitrine réfrigérant.

Attention:

- Si dans les 10 secondes aucun bouton n'est appuyé, la vitrine réfrigérant retourne de nouveau à la température de consigne.
- La plage de réglage de la température : de 2°C à 6°C. La variation de la température réelle à l'intérieur de l'appareil peut être influencée par la température ambiante.
- Pour maintenir la température basse dans la vitrine réfrigérant, n'ouvrez pas la porte trop longtemps.

2) Le réglage de l'éclairage à l'intérieur de la vitrine réfrigérant

- Appuyez sur  pour allumer l'éclairage à l'intérieur de la vitrine réfrigérant. Appuyez  à nouveau pour l'éteindre.

3) Voyant de refroidissement

- Pendant le refroidissement (compresseur en marche), le voyant de refroidissement est allumé en permanence.
- Lorsqu'à l'intérieur du réfrigérateur la température réglée est atteinte, le voyant du refroidissement commence à clignoter.
- Le voyant de refroidissement s'éteint au début de dégivrage.

4) Voyant de dégivrage

- Pendant le dégivrage de la vitrine réfrigérant, le voyant de dégivrage est allumé en permanence.
- Après avoir terminé le dégivrage, le voyant s'éteint.

Nettoyage et entretien

Attention : Avant le nettoyage et l'entretien de l'appareil, débranchez l'appareil de la source d'alimentation en retirant la fiche de la prise électrique.

Nettoyage

- Nettoyez les surfaces internes et externes de l'appareil avec un chiffon humide avec une petite quantité de détergent.
- Les étagères peuvent être retirées de l'appareil et lavées dans l'eau.
- N'utilisez pas pour le nettoyage les jets d'eau et les nettoyeurs à vapeur et n'immergez pas l'appareil entier dans l'eau.
- Les éléments de l'appareil ne peuvent pas être nettoyés au lave-vaisselle.
- Nettoyez l'appareil régulièrement.

Éléments	Nettoyage	Observations
les éléments tels que les étagères, les supports des étagères etc.	- Immergez les éléments à l'eau tiède savonneuse pendant 10-20 minutes. -Rincez précisément à l'eau courante.	Essuyez précisément tous les éléments.
Les surfaces externes en verre	- Essuyez avec un chiffon doux et une petite quantité de détergent neutre. Assurez-vous que l'eau ou l'humidité ne pénètrent pas à l'intérieur de l'appareil.	
Les surfaces internes en verre	- Retirez les restes de nourriture. - Essuyez avec un chiffon doux et une petite quantité de détergent neutre. Assurez-vous que l'eau ou l'humidité ne pénètrent pas à l'intérieur de l'appareil.	
Porte en verre		

Stockage de l'appareil pendant la pause dans l'utilisation

- Attention : Débranchez toujours l'appareil de la source d'alimentation.
- Retirez de l'appareil toute la nourriture et toutes les boissons.
- Nettoyez l'appareil selon les instructions contenues dans le point Nettoyage et entretien (Voir ==> Nettoyage et entretien).
- Tenez l'appareil dans un endroit frais et propre hors de portée des enfants.

Dépannage

Si l'appareil ne fonctionne pas correctement, lisez les instructions dans le tableau ci-dessous pour trouver une bonne solution.

Si vous ne pouvez pas résoudre le problème, contactez votre revendeur.

Problème	Cause possible	Solution possible
L'appareil ne démarre pas le processus de refroidissement après avoir connecté à une source d'alimentation.	Le fusible thermique s'est démarré	Contactez votre fournisseur / revendeur afin de réparer l'appareil.
	Le compresseur est endommagé.	
	La fiche est incorrectement branchée à une prise électrique.	Assurez-vous que tous les éléments de l'appareil sont correctement connectés.
Le refroidissement est trop faible.	L'appareil est exposé aux rayons solaires ou positionné à proximité de la source de chaleur.	Déplacez l'appareil dans un autre endroit, à l'abri des rayons du soleil.
	La porte est mal fermée ou le joint d'étanchéité est endommagé.	Fermez bien la porte.
	Il y a trop de nourriture dans l'appareil.	Retirez une partie de nourriture.
	Une ventilation insuffisante autour de l'appareil.	Assurez-vous qu'il y a une ventilation adéquate autour de l'appareil, en laissant 10 cm d'espace autour de l'appareil.
L'appareil génère beaucoup de bruit.	L'appareil n'est pas positionné dans la position horizontale.	Assurez-vous que l'appareil positionné dans la position horizontale.
	L'appareil est en contact avec le mur ou d'autres objets.	Assurez-vous qu'il y a 10 cm d'espace autour de l'appareil.
	A l'intérieur de l'appareil il y a des éléments en vrac.	Contactez votre fournisseur / revendeur afin de réparer l'appareil.
Le voyant ne s'allume pas	Le voyant défectueux	Contactez votre fournisseur / revendeur afin de réparer l'appareil.

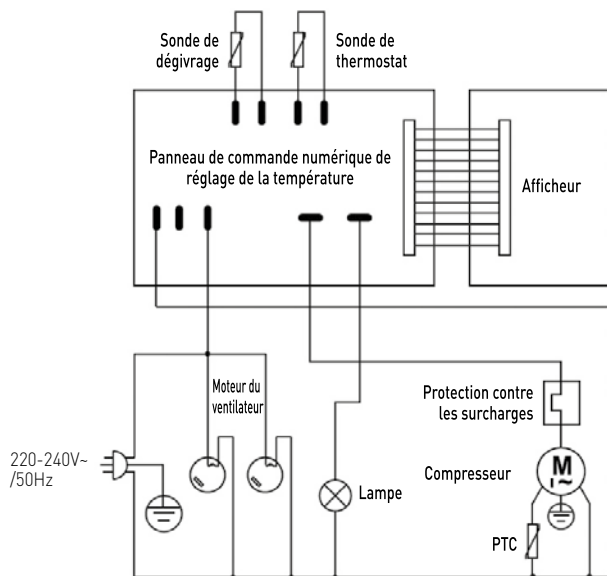
FR

Caractéristiques techniques

Produit n°	233702	233719
Tension et fréquence	220-240V- /50 Hz	
Consommation d'énergie	160W	
Courant nominal	1,4A	
Réglage de la température	de 2°C à 6°C	
Poids net (env.)	57kg	66kg
Niveau de protection	Classe I	
Classe climatique	4	
Réfrigérant / quantité de réfrigérant	R600a / 50g	R600a / 65g
Eclairage	2W (LED)	2,5W (LED)
Niveau de bruit	< 60 dB (A)	
Couleur	Noir	
Capacité de la vitrine réfrigérant	120L	160L
Dimensions extérieurs	686x568x(H)686mm	850x568x(H)686mm

Remarque : Les caractéristiques techniques peuvent être modifiées sans préavis.

Schéma électrique (produit n° 233702, 233719)



Garantie

Tout vice ou toute défaillance entraînant un dysfonctionnement de l'appareil qui se déclare dans les 12 mois suivant la date de l'achat sera éliminé à titre gratuit ou l'appareil sera remplacé par un appareil nouveau si le premier a été dûment exploité et entretenu conformément aux termes de la notice d'exploitation et s'il n'a pas été indûment exploité ou de manière non conforme à sa destination. La présente stipulation ne porte pas de préjudice aux autres droits de l'utilisateur prévus par les dispositions légales. Dans le cas où l'appareil est donné à la réparation ou doit être remplacé

dans le cadre de la garantie, il y a lieu de spécifier le lieu et la date de l'achat de l'appareil et produire un justificatif nécessaire (par ex. facture ou ticket de caisse).

Conformément à notre politique d'amélioration permanente de nos produits, nous nous réservons le droit d'introduire sans avertissement préalable des modifications à l'appareil, à l'emballage et aux caractéristiques techniques précisées dans la documentation.

Élimination et protection de l'environnement

En cas de retrait du produit de l'exploitation l'appareil ne peut pas être jeté avec d'autres déchets ménagers. L'utilisateur est responsable de la remise de l'équipement au point de collecte approprié pour l'équipement usagé. Le non-respect des dispositions ci-dessus peut entraîner les pénalités conformément à la réglementation applicable en matière d'élimination des déchets. La collecte sélective et le recyclage des équipements usagés contribuent à la conservation des ressources na-

turelles et assurent un recyclage sans danger pour la santé et l'environnement. Pour plus d'informations sur les endroits de collecte des équipements usagés pour le recyclage, contactez la société de collecte des déchets locale. Le producteur et l'importateur ne sont pas responsables du recyclage et du traitement des déchets d'une manière respectueuse de l'environnement directement et dans le système public.

Gentile cliente,

grazie per aver acquistato questo apparecchio Arktic. Ti invitiamo a leggere queste istruzioni per l'uso con attenzione prima di collegare l'apparecchio al fine di evitare danni dovuti a uso improprio. Ti invitiamo inoltre a prestare particolare attenzione alle precauzioni di sicurezza.

Precauzioni di sicurezza

- L'uso scorretto e improprio dell'apparecchio possono danneggiare seriamente l'apparecchio e ferire gli utenti.
- Questo apparecchio è destinato esclusivamente all'uso commerciale.
- L'apparecchio può essere utilizzato solo per lo scopo per cui è stato concepito e progettato. Il produttore non è responsabile di eventuali danni provocati da uso scorretto ed improprio.
- Tenere l'apparecchio e la spina elettrica lontani da acqua ed altri liquidi. Nel caso improbabile che l'apparecchio cada in acqua, staccare immediatamente la spina dalla presa e fare ispezionare l'apparecchio da un tecnico certificato. L'inosservanza delle presenti istruzioni può dare luogo a situazioni pericolose
- Non provare mai ad aprire l'involucro dell'apparecchio da soli.
- Non inserire oggetti nell'involucro dell'apparecchio.
- Non toccare la presa con le mani bagnate o umide.
- **Pericoli di scosse elettriche!** Non tentare di riparare l'apparecchio da solo. Eventuali difetti e malfunzionamenti devono essere rimossi solo da personale qualificato.
- **Non usare l'apparecchio danneggiato!** L'apparecchio difettoso deve essere immediatamente scollegato dalla rete e contattare il rivenditore.
- **Attenzione:** Non immergere parti elettriche in acqua o altri liquidi. Non mettere l'apparecchio sotto l'acqua corrente.
- Controllare regolarmente se la spina e il cavo di alimentazione non sono danneggiati. La spina o il cavo danneggiati trasmettere al servizio o alla persona qualificata per riparare, per evitare eventuali pericoli e lesioni.
- Assicurarsi che il cavo di alimentazione non è in contatto con oggetti appuntiti o caldi. Tenere il cavo lontano da fiamme libere. Per scollegare la spina dalla presa, tirare sempre la spina, mai il cavo.
- Proteggere il cavo di alimentazione (o di estensione) per la sconnessione accidentale dalla presa. Disporre il cavo in modo per evitare lo slittamento accidentale.
- Sorvegliare l'apparecchio continuamente durante l'uso.
- **Attenzione!** Se la spina è inserita nella presa, l'apparecchio è considerato come collegato.
- Prima di rimuovere la spina dalla presa, spegnere l'apparecchio!
- Non trasportare l'apparecchio tenendo il cavo di alimentazione.
- Non utilizzare qualsiasi accessorio che non è stato fornito con l'apparecchio.
- L'apparecchio deve essere collegato ad una presa con tensione e frequenza indicate sulla targhetta.

- Inserire la spina nella presa situata in un punto facilmente accessibile in modo che in caso di guasto sia possibile scollegare immediatamente l'apparecchio. Per spegnere completamente l'apparecchio, scollegarlo dalla presa di corrente. Per questo staccare la spina che si trova sull'estremità del cavo di alimentazione.
- Prima di scollegare la spina, ricordarsi sempre di spegnere l'apparecchio!
- Non usare gli accessori non raccomandati dal produttore. L'uso di accessori non raccomandati può creare i rischi per l'utente e provocare i danni all'apparecchio. Usare unicamente solo pezzi ed accessori originali.
- L'installazione elettrica deve soddisfare le normative nazionali e locali applicabili. Questo apparecchio non è destinato all'uso da parte di persone (inclusi i bambini) con capacità fisiche, sensoriali o mentali ridotte, o senza esperienza e conoscenza.
- Non permettere ai bambini di utilizzare l'apparecchio.
- Tenere l'apparecchio con il cavo fuori dalla portata dei bambini.
- Non permettere ai bambini di giocare con l'apparecchio.
- Scollegare l'apparecchio dalla rete se esso deve essere lasciato incustodito e prima del montaggio, dello smontaggio o della pulizia.
- Non lasciare l'apparecchio incustodito durante l'utilizzazione.

Szczególne przepisy bezpieczeństwa

- Il presente apparecchio serve ad esporre e conservare a breve termine prodotti alimentari imballati, quali viveri, ingredienti alimentari, bevande, tra cui vino. L'apparecchio garantisce mantenimento di temperatura di conservazione dei prodotti in esso contenuti negli intervalli di temperatura (di refrigerazione) riportati nel presente documento.
- Non utilizzare l'apparecchio per la conservazione di altri prodotti. Non inserire nella vetrina, né tenere nelle sue vicinanze, prodotti pericolosi, quali carburante, alcool, vernici, materiali infiammabili ed esplosivi, ecc. L'apparecchio non è idoneo alla conservazione di medicinali.
- I prodotti da conservare nella vetrina refrigerata devono essere preventivamente raffreddati per evitare la condensazione, all'interno della camera di refrigerazione, del vapore che esce dai prodotti soggetti alla refrigerazione. È un fenomeno del tutto naturale che non indica avaria dell'apparecchio.
- Il presente apparecchio deve essere installato, messo in servizio e sottoposto alla manutenzione da un personale qualificato o adeguatamente addestrato. L'apparecchio deve essere gestito da personale adeguatamente addestrato o qualificato, vale a dire personale da cucina o persone al servizio bar.
- **AVVERTENZA:** Per accelerare il processo di scongelamento, non utilizzare strumenti meccanici o utensili diversi da quelli consigliati dal fabbricante.
- **AVVERTENZA:** Non danneggiare il circuito refrigerante.



Attenzione! Pericolo di incendio! Il refrigerante utilizzato nel dispositivo è R600a. È un refrigerante infiammabile rispettoso dell'ambiente. Anche se il refrigerante è infiammabile, non è dannoso per lo strato di ozono e non ha alcun impatto sull'effetto serra. Però, l'uso di questo refrigerante provoca

un leggero aumento del livello di rumore emesso dal dispositivo. Oltre al rumore generato dal compressore l'utente può sentire anche il rumore causato dal flusso di refrigerante. Il fenomeno sopra descritto non può essere evitato e non ha alcun effetto negativo sul funzionamento del dispositivo. Durante il trasporto e il posizionamento del dispositivo, si deve prestare particolare attenzione a non danneggiare alcuna parte del sistema di refrigerazione. La perdita di refrigerante può causare danni agli occhi.

- L'agente schiumogeno utilizzato in questo apparecchio è C_5H_{10} . È una sostanza altamente infiammabile.
- **AVVERTENZA:** Non ostruire i fori di ventilazione sulla carcassa dell'apparecchio. Accertare corretta ventilazione dell'apparecchio, in funzione del suo alloggiamento. Non ostruire mai flusso d'aria attorno all'apparecchio, per assicurare una corretta circolazione dell'aria.
- **AVVERTENZA:** Non utilizzare dispositivi elettrici diversi da quelli consigliati dal fabbricante all'interno della vetrina refrigerata.
- Posizionare l'apparecchio su una superficie pulita, stabile, asciutta e piana.
- Stoccare lontano da superfici calde e fiamme libere. Accertarsi che l'apparecchio non sia esposto a temperature elevate, polveri, raggi solari, umidità, gocciolamento o spruzzi d'acqua.
- Assicurarsi che intorno all'apparecchio è stato lasciato circa 10 cm di spazio per garantire una corretta ventilazione.
- Non colpire le parti in vetro con gli strumenti rigidi. Non pulire l'apparecchio utilizzando il flusso diretto di acqua o il pulitore a vapore, non immergere tutto l'apparecchio in acqua per le ragioni del rischio di scossa elettrica.
- Non posare sull'apparecchio alcun tipo di oggetti. Tenere l'apparecchio lontano da qualsiasi fonte di fiamme libere (ad es. candele accese). Non tenere nelle vicinanze dell'apparecchio alcun tipo di contenitori dell'acqua (ad es. vasi per i fiori).
- Non coprire mai l'apparecchio durante l'esercizio. Vi è rischio di incendio.
- Non pulire l'apparecchio con acqua che potrebbe infiltrarsi nelle parti elettriche con conseguente rischio di folgorazione.
- Non eseguire fori aggiuntivi sull'apparecchio. Non montare alcun tipo di accessori aggiuntivi sull'apparecchio.
- Non inserire all'interno dell'apparecchio eccessive quantità di alimenti per evitare eventuali danni allo stesso. Carico massimo di ogni singolo ripiano non può superare 8 kg circa.
- Non salire sull'apparecchio.

Installazione dell'apparecchio

- L'apparecchio non deve essere inclinato di un angolo maggiore di 45° . Dopo l'installazione aspettare due ore prima di collegarlo ad una fonte di alimentazione e avviarlo. Questa raccomandazione si applica anche quando l'apparecchio è successivamente spostato in un altro luogo.
- L'apparecchio deve essere installato in un luogo asciutto.

- Durante l'installazione lasciare almeno 10 cm di spazio dal retro e su entrambi i lati dell'unità per assicurare un'adeguata ventilazione. Lasciando meno spazio, si può influire sulle prestazioni dell'apparecchio.
- Si raccomanda di installare l'apparecchio in un luogo con una buona ventilazione naturale, in modo che l'apparecchio sia correttamente ventilato.

Elementi elettrici e altri pericoli

- Non si deve collegare qualsiasi altro apparecchio alla stessa sorgente di alimentazione.
- Non mettere nel frigorifero o vicino i prodotti pericolosi come carburante, alcool, vernici, materiali infiammabili e esplosivi – pericolo di incendio.
- Non conservare nel frigorifero i farmaci.
- Dopo aver spento o scollegato l'apparecchio dalla fonte di alimentazione, attendere circa 5 minuti prima di riavviare.
- Non pulire la macchina con acqua. La pulizia dell'apparecchio può provocare la penetrazione dell'acqua nelle parti elettriche e provocare scossa elettrica. Le parti e gli accessori dell'apparecchio non possono essere lavati in lavastoviglie.

Destinazione del dispositivo

- Il dispositivo è destinato all'uso professionale.
- Questo dispositivo è progettato solo per conservare alimenti o bevande, in condizioni di refrigerazione e per esporli per la vendita al dettaglio in ristoranti, mense, altri esercizi commerciali come panifici, macellerie, supermercati, ecc. L'uso del

dispositivo per qualsiasi altro scopo può causare danni o lesioni.

- L'uso del dispositivo per qualsiasi altro scopo sarà considerato un uso improprio. L'utente sarà l'unico responsabile per l'uso scorretto del dispositivo.

IT

Messa a terra

Il frigorifero è l'apparecchio della I classe di protezione e deve essere messo a terra. La messa a terra riduce il rischio di scosse elettriche grazie al cavo evacuante il corrente elettrico. L'apparecchio

è dotato di un cavo con una messa a terra. Non inserire la spina nella presa di corrente se l'apparecchio non è stato correttamente installato o messo a terra.

Parti componenti



Prima del primo utilizzo

- Togliere e rimuovere l'imballaggio e protezioni.
- Verificare la completezza dell'apparecchio. In caso di mancanze o danneggiamenti contattare il fornitore [vedi: Garanzia].
- Pulire tutti i componenti secondo le istruzioni (vedi=> Pulizia e manutenzione).
- Rimetter tutte le mensole all'interno dell'apparecchio.

Attenzione: A causa di residui di lavorazione, durante i primi avviamenti l'apparecchio può produrre un odore sgradevole. È un fenomeno del tutto normale che non pregiudica né l'avaria dell'apparecchio, né rischi per l'utente. Accertare corretta ventilazione dell'apparecchio.

Utilizzo

- Innanzitutto collegare cavo smontabile alla presa dell'apparecchio, dunque allacciare l'apparecchio alla relativa fonte di alimentazione.
- Prima di introdurre alimenti o bevande, lasciare l'apparecchio acceso per qualche ora, fino a raggiungere temperatura di raffreddamento adeguata.



- Uso pannello digitale di regolazione temperatura (lato frontale dell'apparecchio)

1) Impostazione di temperatura

- Premere **SET**, per accedere alla modalità impostazioni. Sul display verrà visualizzato il valore di temperatura impostato.
 - Premere ▲ oppure ▼, per aumentare o diminuire il valore di temperatura impostato.
 - Ripremere **SET** per salvare il valore di temperatura impostato ed uscire dalla modalità impostazioni. Sul display verrà visualizzato valore di temperatura interna dell'apparecchio.
- Attenzione:

- Se entro 10 secondi non verrà premuto alcun tasto, l'apparecchio lavorerà secondo le ultime impostazioni di temperatura.
- Range di impostazione temperatura: da 2°C a 6°C. La variazione di temperatura effettiva all'interno del prodotto può essere influenzata dalla temperatura ambiente.

- Al fine di mantenere bassa temperatura all'interno dell'apparecchio non lasciare aperta la porticina troppo a lungo.

2) Impostazione illuminazione all'interno della vetrina

- Premere ☀ per accendere la luce all'interno della vetrina. Per spegnerla ripremere ☀.

3) Spia LED di raffreddamento

- Durante il raffreddamento della vetrina (compressore in funzione), la spia di raffreddamento rimarrà accesa.
- Una volta all'interno della vetrina viene raggiunto il valore di temperatura preimpostato, la spia inizierà a lampeggiare.
- La spia di raffreddamento si spegnerà all'inizio dello scongelamento.

4) Spia di scongelamento

- Durante lo scongelamento della vetrina, la spia di scongelamento emetterà luce continua.
- Al termine di scongelamento relativa spia si spegnerà.

Pulizia e manutenzione

Attenzione: Prima di procedere alla pulizia o interventi manutentivi, è obbligatorio staccare l'apparecchio dalla fonte di alimentazione, togliendo relativa spina dalla presa

Pulizia

- Pulire le superfici interne ed esterne dell'apparecchio con un panno umido, leggermente imbevuto di detergente.
- Rimuovere le mensole e lavarle per immersione in acqua.
- Per la pulizia non usare getti d'acqua diretti, pulitori a vapore e non immergere l'apparecchio nell'acqua.
- Non lavare i componenti dell'apparecchio in lavastoviglie.
- Pulire l'apparecchio regolarmente.

Parti	Pulizia	Note
Parti dell'apparecchio come mensole e relative staffe/supporti ecc.	- Immergere nell'acqua tiepida con sapone per 10-20 minuti circa. - Risciacquare accuratamente con acqua corrente.	Asciugare accuratamente tutte le parti.
Superfici esterne in vetro	- Asciugare con un panno morbido con aggiunta di un detergente neutro. Accertarsi che non vi siano infiltrazioni d'acqua o di umidità all'interno dell'apparecchio.	
Superfici interne in vetro	- Rimuovere residui alimentari. - Asciugare con un panno morbido con aggiunta di un detergente neutro. Accertarsi che non vi siano infiltrazioni d'acqua o di umidità all'interno dell'apparecchio.	
Porticina in vetro		

IT

Stoccaggio dell'apparecchio nei periodi di sosta

- Attenzione: Scollegare l'apparecchio dalla fonte di alimentazione.
- Rimuovere dall'apparecchio prodotti alimentari e bevande.
- Pulire l'apparecchio secondo le indicazioni riportate nel capitolo Pulizia e manutenzione. (Vedi=> Pulizia e manutenzione).
- Stoccare l'apparecchio in un ambiente fresco, pulito e fuori dalla portata dei bambini.

Ricerca ed eliminazione guasti

In caso di malfunzionamento consultare la tabella sottostante per avviare al problema. Altrimenti consultare il fornitore.

Problema	Possibile causa	Rimedio
Apparecchio collegato all'alimentazione non attiva la refrigerazione.	È intervenuto fusibile termico.	Consultare fornitore / distributore per riparare l'apparecchio.
	Avaria compressore.	
	Spina/presa dell'apparecchio non è collegata correttamente alla fonte di alimentazione.	Verificare e accertare correttezza di tutti i collegamenti.
Refrigerazione insufficiente.	Apparecchio esposto all'effetto diretto dei raggi solari o è troppo vicino alla fonte di calore.	Spostare l'apparecchio in un ambiente non esposto all'effetto diretto dei raggi solari.
	Porticina socchiusa oppure guarnizione danneggiata.	Chiudere correttamente la porticina.
	Eccessiva quantità di alimenti all'interno dell'apparecchio.	Rimuove una parte dei prodotti alimentari.
	Insufficiente ventilazione attorno all'apparecchio.	Accertarsi della corretta ventilazione dell'apparecchio – spazio libero di 10 cm attorno allo stesso.
Apparecchio genera troppo rumore	Apparecchio non è livellato.	Accertarsi del corretto posizionamento orizzontale dell'apparecchio.
	Apparecchio è a contatto con la parete o altri oggetti.	Verificare che spazio libero attorno all'apparecchio sia di almeno 10 cm.
	Allentamento di qualche componente all'interno dell'apparecchio.	Consultare fornitore / distributore per riparare l'apparecchio.
Spia di controllo non si accende	Diodo danneggiato.	Consultare fornitore / distributore per riparare l'apparecchio.

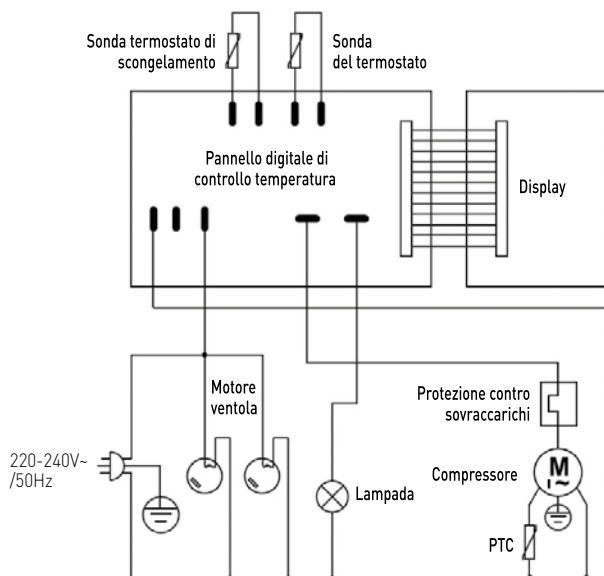
IT

Parametri tecnici

N. prodotto	233702	233719
Tensione di lavoro e frequenza	220-240V~ /50 Hz	
Consumo di energia	160W	
Corrente nominale	1,4A	
Impostazione temperatura	da 2°C a 6°C	
Peso netto [circa]	57kg	66kg
Classe di protezione	Classe I	
Classe climatica	4	
Refrigerante / quantità refrigerante iniettata	R600a / 50g	R600a / 65g
Potere della luce	2W (LED)	2,5W (LED)
Livello rumorosità	< 60 dB (A)	
Colore	Nero	
Capacità vetrina	120L	160L
Dimensioni esterne	686x568x(altezza)686mm	850x568x(altezza)686mm

Uwaga: Specyfikacja techniczna może ulec zmianie bez uprzedzenia.

Schema impianto elettrico (prodotto n. n. 233702. 233719)



Garanzia

Qualsiasi difetto che influenza la funzionalità del dispositivo che compaia entro un anno dall'acquisto sarà corretto a titolo interamente gratuito o con la sostituzione del prodotto che è stato utilizzato e sottoposto a manutenzione corretta seguendo le istruzioni, senza alcuna violazione. I diritti legali del cliente non sono assolutamente modificati. Nel caso in cui l'intervento di manutenzione o sostitu-

zione sia previsto nel periodo di validità della garanzia, precisare dove e quando si è acquistato il prodotto, possibilmente allegando lo scontrino.

In linea con la nostra politica di sviluppo continuo dei prodotti, ci riserviamo il diritto di modificare il prodotto, l'imballo e le specifiche di documentazione, senza notifica alcuna.

Smaltimento e protezione dell'ambiente

In caso di ritiro dell'apparecchiatura dal funzionamento il prodotto non può essere smaltito con altri rifiuti domestici. L'utente è responsabile della consegna dell'attrezzatura al punto di raccolta appropriato per l'attrezzatura usata. Il mancato rispetto delle disposizioni sopramenzionate può comportare l'imposizione di sanzioni in conformità con le normative vigenti in materia di smaltimento dei rifiuti. La raccolta e il riciclaggio selettivi di attrezzature usate contribuiscono alla conserva-

zione delle risorse naturali e garantiscono il riciclaggio in modo tale da non nuocere alla salute e all'ambiente. Per ulteriori informazioni sui luoghi di smaltimento delle apparecchiature usate per il riciclaggio, contattare la società locale di raccolta dei rifiuti. Il produttore e l'importatore non sono responsabili per il riciclaggio e il trattamento dei rifiuti in modo ecologico, sia direttamente che nel quadro del sistema pubblico.

Stimate client,

Vă mulțumim pentru achiziționarea acestui aparat Arctic. Vă rugăm să citiți cu atenția acest manual înainte de a conecta aparatul pentru evitarea defectării ca urmare a utilizării incorecte. Acordați o atenție deosebită regulilor de siguranță.


Reguli de siguranță

- Operarea incorectă și utilizarea necorespunzătoare a aparatului poate avaria grav aparatul și poate cauza răni oamenilor.
- Acest aparat este destinat numai pentru uz comercial.
- Aparatul poate fi folosit doar în scopul pentru care a fost proiectat. Producătorul nu este răspunzător pentru orice avariere cauzată operării incorecte și a utilizării necorespunzătoare.
- Asigurați-vă că aparatul și ștecherul nu intră în contact cu apă sau alte lichide. În cazul în care aparatul este scăpat în apă, scoateți imediat ștecherul din priză și un tehnician autorizat trebuie să-l verifice. Dacă nu respectați aceste instrucțiuni, acest lucru poate cauza situații care vă pot pune viața în pericol.
- Nu încercați să deschideți singuri carcasa aparatului.
- Nu introduceți nici un fel de obiecte în carcasa aparatului.
- Nu atingeți ștecherul cu mâinile ude sau umede.
- **Pericol de electrocutare!** Nu încercați să reparați singur/ă aparatul. În cazul unei defecțiuni, reparațiile vor fi efectuate întotdeauna numai de personal calificat.
- **Nu utilizați niciodată un aparat defect!** Deconectați aparatul de la priza electrică și contactați distribuitorul în cazul unei defecțiuni.
- **Avertisment!** Nu scufundați părțile electrice ale aparatului în apă sau în alte lichide. Nu țineți niciodată aparatul sub jet de apă.
- Verificați în mod regulat ștecărul și cablul pentru a vă asigura că nu sunt deteriorate. În cazul în care ștecărul sau cablul de alimentare este deteriorat, acesta trebuie înlocuit de agentul de service sau de alt personal calificat similar pentru a evita orice pericol.
- Cablul nu trebuie să intre în contact cu obiecte ascuțite sau fierbinți și trebuie păstrat departe de foc. Pentru a scoate ștecărul din priză, trageți întotdeauna de ștecăr, nu de cablu.
- Asigurați-vă că nimeni nu poate trage din greșeală cablul (sau prelungitorul) și că nimeni nu se poate împiedica de el.
- Supravegheați întotdeauna aparatul atunci când este în funcțiune.
- Avertisment! Atât timp cât ștecărul este în priză, aparatul este conectat la sursa de electricitate.
- Opriți aparatul înainte de a scoate ștecărul din priză.
- Nu cărați niciodată aparatul ținându-l de cablu.
- Nu utilizați dispozitive suplimentare care nu sunt livrate împreună cu aparatul.
- Conectați aparatul doar la prize electrice cu intensitatea și frecvența electrice menționate pe eticheta aparatului.

RO

- Conectați cablul de alimentare la o priză electrică ușor accesibilă, astfel încât aparatul să poată fi deconectat imediat în caz de urgență. Scoateți cablul de alimentare din priza electrică pentru a opri complet aparatul. Utilizați cablul de alimentare ca dispozitiv de deconectare.
- Opriti întotdeauna aparatul înainte de a deconecta cablul de alimentare.
- Nu utilizați niciodată accesoriile care nu sunt recomandate de către producător. Acestea pot reprezenta un risc de siguranță pentru utilizator și pot deteriora aparatul. Utilizați numai piese și accesoriile originale.
- Acest aparat nu trebuie folosit de copii sau persoane care au capacități mentale, senzoriale sau fizice reduse, sau lipsă de experiență și cunoștințe.
- Acest aparat nu trebuie utilizat sub nicio formă de către copii.
- Nu țineți produsul și cablurile sale la îndemâna copiilor.
- Copiii nu trebuie să se joace cu acest produs.
- Deconectați întotdeauna aparatul de la sursa de alimentare în cazul în care este lăsat nesupravegheat, precum și înainte de asamblare, dezasamblare sau curățare.
- Nu lăsați niciodată aparatul nesupravegheat pe parcursul utilizării.

Reguli speciale de siguranță

- Acest aparat este destinat depozitării pe termen scurt și expunerii alimentelor ambalate cum ar fi produsele alimentare, ingredientele, băuturile, inclusiv vinul. Acest aparat este capabil să mențină continuu temperatura produselor alimentare în limitele prescrise pentru temperatura de răcire.
- Nu păstrați alte materiale în aparat. Nu puneți în aparat sau în vecinătatea acestuia niciun fel de produse periculoase cum ar fi combustibilii, alcoolul, vopseaua, produsele inflamabile sau explozive etc. În acest aparat nu pot fi depozitate medicamente de niciun fel.
- Produsele introduse în aparat trebuie să fi fost răcite în prealabil. În caz contrar, umezeala care se evaporă în timpul răcirii produselor alimentare poate produce condens în interiorul compartimentului de răcire, ceea ce este normal și nu indică existența unei defecțiuni a aparatului.
- Aparatul trebuie instalat, pus în funcțiune și întreținut de persoane calificate sau instruite pentru aceasta. Aparatul trebuie utilizat de personal instruit sau calificat, cum ar fi cel de la bucătărie sau de la bar.
- **AVERTISMENT:** Nu utilizați instrumente mecanice sau alte mijloace pentru a accelera dezghețarea, altele decât cele recomandate de producător.
- **AVERTISMENT:** Nu deteriorați circuitul de agent frigorific.
-  **Atenție! Risc de incendiu!** Agentul frigorific utilizat este R600a. Acesta este un agent frigorific inflamabil, fără efecte adverse asupra mediului. Deși este inflamabil, el nu afectează stratul de ozon și nu amplifică efectul de seră. Utilizarea acestui agent frigorific a condus însă la o creștere ușoară în nivelul de zgomot al aparatului. În afară de zgomotul produs de compresor, este posibil să auziți și curgerea agentului frigorific prin sistem. Acest lucru este inevitabil și nu are

un efect negativ asupra performanțelor aparatului. Trebuie întotdeauna avută grijă la transportarea și instalarea aparatului, în așa fel încât niciuna din părțile sistemului de răcire să nu fie avariate. Scurgerile de agent frigorific pot vătăma ochii.

- Agentul de expandare cu spumă utilizat este C₅H₁₀ în acest dispozitiv. Este extrem de inflamabil.
- **AVERTISMENT:** Nu obstrucționați orificiile pentru ventilație de pe carcasa aparatului. La montaj trebuie asigurat că structura din jur permite o bună ventilare. Nu blocați niciodată intrarea și ieșirea aerului, lăsați liberă circulația aerului.
- **AVERTISMENT:** Nu utilizați aparate electrice în compartimentele de depozitare ale aparatului decât dacă sunt de tipul recomandat de producător.
- Puneți aparatul doar pe o suprafață de lucru curată, stabilă, uscată și plană.
- Țineți aparatul la distanță de suprafețele fierbinți și de focul deschis. Protejați aparatul contra căldurii, prafului, luminii solare directe, umezelii, picăturilor și apei împrășcate.
- În timpul funcționării lăsați un spațiu liber de cel puțin 10 cm în jurul aparatului pentru ventilație.
- Nu folosiți ustensile dure atunci când umblați la suprafața de sticlă. Nu folosiți niciodată jeturi de apă sau de abur pentru a curăța; nu scufundați aparatul în apă deoarece piesele se vor uda ceea ce ar duce la scurt-circuite.
- Nu puneți obiecte pe aparat. Nu puneți obiecte care conțin surse de foc (de exemplu, lumânări) pe aparat sau lângă acesta. Nu așezați obiecte care conțin apă (de exemplu vase) pe sau lângă aparat.
- Nu acoperiți niciodată aparatul în timpul utilizării. Acest lucru poate prezenta un pericol de incendiu.
- Nu spălați aparatul cu apă. La spălare se pot produce scurgeri, ceea ce va crește riscul de scurt-circuit.
- Nu faceți goluri suplimentare în aparat. Nu instalați alte dispozitive în aparat.
- Nu supraîncărcați grătarul din interior pentru a evita stricăciunile. Sarcina max. pe care o suportă grătarul este de aproximativ 8kg.
- Nu încercați să vă urcați pe aparat.

RO

Instalarea aparatului

- Aparatul nu trebuie înclinat la mai mult de 45°. După ce ați instalat aparatul așteptați 2 ore înainte de a-l conecta la sursa de curent și de a-l porni. Același lucru este valabil și dacă aparatul este ulterior mutat.
- Aparatul trebuie întotdeauna instalat într-un mediu uscat.
- La instalare, în spatele și în părțile laterale ale aparatului trebuie lăsat un spațiu liber de cel puțin 10 cm. Lăsarea unui spațiu mai mic poate afecta eficiența aparatului.
- Recomandăm insistent ca aparatul să fie instalat în locuri cu o bună ventilație naturală pentru ca ventilația să se facă mai bine.

Componente electrice și alte pericole

- Niciun alt aparat nu trebuie cuplat la priza la care este cuplat acest aparat.

- Nu puneți în aparat sau în vecinătatea acestuia niciun fel de produse periculoase cum ar fi combustibilii, alcoolul, vopseaua, produsele inflamabile sau explozive etc., din cauza riscului de incendiu.
- Nu păstrați medicamente în aparat.
- Așteptați cca 5 minute înainte de a porni aparatul din nou după ce aparatul a fost oprit sau scos din priză.
- Nu spălați aparatul cu apă. La spălare se pot produce scurgeri, ceea ce va crește riscul de scurt-circuit. Nicio piesă/accesoriu ale aparatului nu pot fi puse în mașina de spălat vase.

Instalația de împământare

Acest aparat este încadrat în clasa de protecție I și trebuie împământat. Împământarea reduce riscul electrocutării prin asigurarea unui fir de ieșire pentru curentul electric. Acest aparat este dotat cu

un cablu cu fir de împământare cu fișă. Fișa trebuie conectată la o priză instalată corespunzător și împământată.

Destinația produsului

- Acesta este un aparat de uz profesional.
- Acest aparat este conceput numai pentru a păstra alimente sau băuturi în stare rece și pentru a le afișa pentru comercializare în restaurante, cantine, alte întreprinderi comerciale precum brutării, măcelării, supermarketuri, etc. Orice altă utiliza-

re poate provoca avarierea aparatului sau accidentarea persoanelor.

- Utilizarea aparatului în orice alt scop reprezintă o utilizare incorectă. Utilizatorul este singurul răspunzător de orice utilizare incorectă a aparatului.

RO

Piese funcționale



Pregătirea înainte de prima utilizare

- Desfaceți ambalajul și învelitoarea de protecție.
- Verificați dacă produsul este complet. În cazul în care livrarea este incompletă sau dacă există avarii. Luați legătura cu furnizorul (Vezi ==> Garanția).
- Curățați toate componentele conform descrierii (vezi ==> Curățarea și întreținerea).

- Așezați toate grătarele în interiorul aparatului.

Notă: Resturile rămase din fabricație pot face ca aparatul să emită un ușor miros în timpul primelor cicluri de funcționare. Acest lucru este normal și nu este un semn de defecțiune sau de pericol. Asigurați-vă că aparatul este bine ventilat.

Modul de utilizare

- Conectați fișa cordonului detașabil mai întâi la partea din spate a aparatului, apoi conectați ștecherul la o priză electrică adecvată.
- Lăsați aparatul să meargă timp de câteva ore înainte de a pune alimentele în interiorul lui, pentru a atinge temperatura de răcire.

Led indicator pentru agentul frigorific

Led indicator pentru dezghețare



- Funcționarea controlerului digital de temperatură (în partea din față a aparatului)

1) Setarea temperaturii

- Apăsăți **SET** pentru a intra în regimul de setare. Se afișează temperatura setată.
- Apăsăți ▲ sau ▼ pentru a crește sau scădea temperatura.
- Apăsăți **SET** din nou pentru a confirma setarea și ieșiți. După aceasta se va afișa temperatura din interiorul dulapului.

Notă:

- Dacă niciun buton nu este apăsat timp de 10 secunde. Temperatura nou setată va fi stocată în memorie.
- Intervalul de setare a temperaturii este de la 2°C la 6°C. Variația temperaturii din interiorul produsului poate fi afectată de temperatura ambiantă.
- Țineți ușa deschisă cât mai puțin timp posibil pentru a păstra temperatura scăzută din interior.

2) Iluminatul din interiorul dulapului

- Apăsăți pentru a aprinde lumina. Apăsăți din nou pentru a stinge lumina.

3) Led indicator pentru agentul frigorific

- În timpul răcirii (cu compresorul pornit), acest led indicator pentru agentul frigorific va lumina continuu.
- După ce interiorul dulapului a atins temperatura setată ledul indicator pentru agentul frigorific va clipi continuu.
- În momentul în care a început dezghețarea, ledul indicator pentru agentul frigorific se stinge.

4) Led indicator pentru dezghețare

- În timpul operației de dezghețare, ledul indicator de dezghețare va lumina continuu.
- După operația de dezghețare, ledul indicator de dezghețare se va stinge.

RO

Curățarea și întreținerea

Atenție: Scoateți întotdeauna aparatul din priză înainte de a-l curăța și de a face întreținerea.

Curățare

- Curățați suprafețele exterioare și interioare cu o cârpă umedă și puțin detergent.
- Grătarele pot fi scoase și spălate în apă.
- Nu curățați aparatul cu jet de apă sau în mașina de curățat cu aburi și nici nu îl scufundați în apă.
- Niciuna din piese nu poate fi curățată în mașina de spălat vase.
- Curățați aparatul în mod regulat

Piese	Cum se curăță	Observații
Toate accesoriile cum ar fi grătarele, suporturile pentru grătare etc.	- Scufundați în apă caldă, cu săpun timp de aproximativ 10 minute până la 20 de minute. - Clătiți bine sub jet de apă de la robinet.	La sfârșit uscați bine aceste piese.
Suprafețele vitrate exterioare	- Se curăță ștergând-o cu o cârpă moale și un detergent neutru. Aveți grijă ca în aparat să nu pătrundă apă sau umezeală.	
Suprafețele vitrate interioare	- Înlăturați toate depunerile de alimente. - Se curăță ștergând-o cu o cârpă moale și un detergent slab. Aveți grijă ca în aparat să nu pătrundă apă sau umezeală.	
Ușa de sticlă		

Depozitarea aparatului pentru o perioadă mai îndelungată

- Atenție: Scoateți întotdeauna aparatul din priză.
- Scoateți toate alimentele și băuturile interiorul aparatului.
- Curățați aparatul așa cum se arată în capitolul Curățarea. (Vezi == > Curățarea).
- Depozitați aparatul într-un loc răcoros și curat, care nu se află la îndemâna copiilor.

Depanarea

Dacă aparatul nu funcționează bine consultați tabelul de mai jos pentru a găsi soluția. Dacă tot nu puteți rezolva problema, luați legătura cu furnizorul/agentul de service.

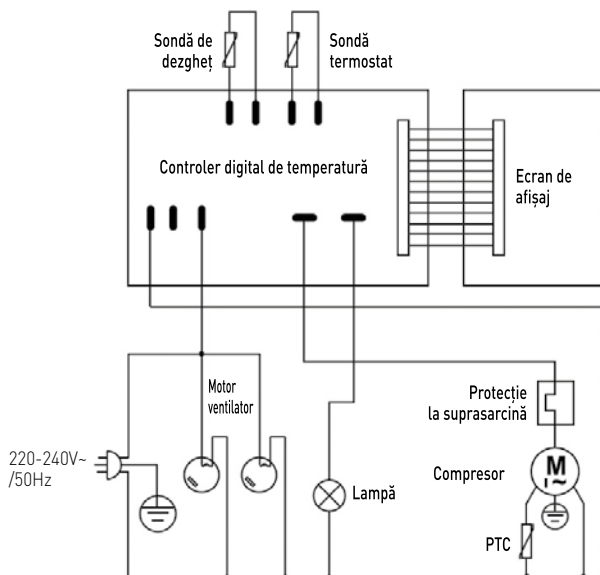
Probleme	Cauză posibilă	Soluție posibilă
Aparatul nu începe să răcească după ce a fost conectat la sursa de curent.	S-a activat separarea termică	Pentru reparații luați legătura cu furnizorul sau cu agentul de service.
	Compresorul este defect.	
Răcirea nu este suficientă.	Ștecherul/fișa de alimentare nu sunt bine conectate cu sursa de alimentare.	Verificați conexiunea și dacă toate cuplajele sunt realizate corect.
	Aparatul este amplasat în lumină solară puternică sau prea aproape de o sursă de căldură.	Mutați aparatul în altă parte pentru a evita lumina solară directă.
	Ușile nu sunt bine închise sau garnitura este defectă.	Închideți ușa corect.
	S-au pus prea multe alimente în aparat.	Puneți mai puține alimente în aparat.
Zgomot excesiv	Ventilația din jur nu este suficientă.	Verificați dacă există suficientă ventilație prin lăsarea a cel puțin 10 cm spațiu liber față de alte obiecte sau pereți.
	Aparatul nu este montat orizontal.	Asigurați-vă că aparatul este montat orizontal.
	Aparatul atinge pereții din jur sau alte obiecte.	Verificați dacă există cel puțin 10 cm spațiu liber față de alte obiecte sau pereți.
Ledul roșu nu s-a aprins	În aparat se află piese desprinse.	Pentru reparații luați legătura cu furnizorul sau cu agentul de service.
	Ledul este defect	Pentru reparații luați legătura cu furnizorul sau cu agentul de service.

Specificația tehnică

Articol nr.	233702	233719
Tensiunea de funcționare și frecvența	220-240V~ /50 Hz	
Puterea nominală de intrare	160W	
Intensitatea nominală	1,4A	
Setarea temperaturii	Setare de la 2°C la 6 °C	
Greutate netă (aprox.)	57kg	66kg
Clasa de protecție	Clasa I	
Clasa de climă	4	
Agentul frigorific utilizat și cantitatea injectată	R600a / 50g	R600a / 65g
Puterea lămpii	2W (LED)	2,5W (LED)
Nivelul de zgomot	< 60 dB (A)	
Culoarea	Negru	
Capacitatea interioară a dulapului	120L	160L
Dimensiuni exterioare	686x568x(H)686mm	850x568x(H)686mm

Observație: Specificația tehnică poate fi modificată fără preaviz

Schema electrică (Refer 233702. 233719)



Garanție

Orice defecțiune care afectează funcționarea aparatului apărută la mai puțin de un an de la cumpărarea acestuia va fi remediată prin reparație sau înlocuire gratuită, cu condiția ca aparatul să fi fost folosit și întreținut conform instrucțiunilor nu să nu fi fost bruscat sau folosit necorespunzător în vreun fel. Drepturile dumneavoastră legale nu sunt afec-

tate. Dacă aparatul este în garanție, menționați când și de unde a fost cumpărat și includeți dovada cumpărării (de ex. chitanța).

Conform politicii noastre de dezvoltare continuă a produsului, ne rezervăm dreptul de a modifica produsul, ambalajul și documentația fără notificare.

Eliminarea și mediul înconjurător

La dezafectarea aparatului, produsul nu trebuie aruncat împreună cu alte deșeuri menajere. În schimb, este responsabilitatea dumneavoastră să eliminați echipamentul uzat prin predarea acestuia la un punct de colectare desemnat. Nerespectarea acestei reguli poate fi penalizată în conformitate cu reglementările aplicabile privind eliminarea deșeurilor. Colectarea separată și reciclarea echipamentului dumneavoastră uzat la momentul debarasării contribuie la conservarea resurselor na-

turale și asigură realizarea reciclării într-un mod care protejează sănătatea ființelor umane și a mediului. Pentru informații suplimentare privind modul în care puteți preda deșeurile dumneavoastră în scopul reciclării, vă rugăm să contactați compania locală de colectare a deșeurilor. Producătorii și importatorii nu își asumă responsabilitatea cu privire la reciclarea, tratarea și eliminarea ecologică a deșeurilor, fie direct, fie prin intermediul unui sistem public.

Большое Вам спасибо за то, что Вы купили оборудование фирмы Arctic. Вам следует внимательно прочитать настоящую инструкцию пользователя во избежание повреждения машины в результате неправильной эксплуатации. Особенно рекомендуем ознакомиться с предупреждениями.

Правила техники безопасности

- Неправильная эксплуатация и неподходящее использование агрегата может привести к его поломке и поранить оператора.
- Это устройство предназначено исключительно для коммерческого использования.
- Оборудование следует использовать точно по назначению. Производитель не несет ответственности за повреждения, вызванные неправильной эксплуатацией или неправильным обслуживанием оборудования.
- Оборудование и электрическую штепсельную вилку следует держать вдали от воды и прочих жидкостей. Если штепсельная вилка попадет в воду, ее следует тут же вытаскивать из розетки электропитания и обратиться в службу сертифицированного сервиса для проверки устройства. Несоблюдение данных указаний может повлечь за собой угрозу здоровью и жизни обслуживающего персонала.
- Нельзя снимать кожух без особого разрешения.
- Нельзя класть никаких посторонних предметов вовнутрь агрегата.
- Нельзя касаться мокрыми, или влажными руками штепсельной вилки.
- **Опасность поражения током!** Не следует самостоятельно чинить электроаппаратуру. Любые поломки и неисправности должны устраняться квалифицированным персоналом.
- **Никогда не следует пользоваться поврежденной электроаппаратурой.** Поврежденное устройство нужно отсоединить от электросети и обратиться к продавцу.
- **Предупреждение:** не следует погружать электрических деталей в воду, или иные жидкости. Не омыwać в струе воды.
- Регулярно проверять вилку и провод электропитания на предмет повреждений. Поврежденные вилку или провод передать для ремонта в сервисную точку, или обратиться к квалифицированному электрику во имя предотвращения опасности травм.
- Удостовериться, что провод электропитания не касается острых и горячих предметов; держать электропровод вдали от открытого огня. Для того, чтобы вынуть вилку из розетки всегда нужно тянуть за вилку, а не за электропровод.
- Защитить провод электропитания (удлинитель) от случайного выпадения из розетки. Электропровод прокладывать так, чтобы случайно не зацепиться за него.
- Непрестанно наблюдать за работающей электроаппаратурой.
- **Предупреждение!** Если вилка находится в розетке – это означает, что электроаппаратура считается подключенной к электропитанию.
- Перед тем, как вынуть вилку из розетки, электроаппаратуру следует выключить!
- Никогда нельзя переносить, передвигать электроаппаратуру держа за электропровод.

- Не использовать никаких деталей, аксессуаров, которые не поставляются вместе с этой электроаппаратурой.
- Электроаппаратуру следует подключать исключительно к розетке, в которой имеется напряжение и частоту, указанную на щитке электроаппаратуры.
- Вилку следует вставлять в розетку, расположенную в удобном и легкодоступном месте, так чтобы в случае аварии можно бы ее немедленно вынуть. Для полного обесточивания электроаппаратуры ее следует отсоединить от электропитания; для этого следует вынуть вилку, находящуюся на конце провода электропитания, из розетки.
- Перед тем, как вынуть вилку всегда следует помнить о том, чтобы сначала выключить электроаппаратуру!
- Не следует использовать детали, аксессуары, не рекомендуемые производителем данной электроаппаратуры, т.к. использование таких деталей, аксессуаров может создать для пользователя угрозу его здоровью и жизни, а также может привести к поломке электроаппаратуры. Следует всего использовать оригинальные детали, аксессуары.
- Без надлежащего контроля или предварительного обучения эксплуатации оборудования проводимого лицом, отвечающим за безопасную эксплуатацию, оборудованием не могут пользоваться ни дети, ни лица с ограниченными физическими, или психическими возможностями, ни лица, которые не обладают необходимым опытом работы и знаниями в данной области.
- Ни в коем случае нельзя допускать к использованию электроаппаратуры детей.
- Электроаппаратуру следует хранить в месте недоступном для детей.
- Нельзя разрешать детям использовать электроаппаратуру в качестве игрушки.
- Всегда электроаппаратуру следует отсоединить от электропитания, если оставляем ее без надзора, перед монтажом, демонтажем и чисткой.
- Нельзя оставлять работающую электроаппаратуру без надзора.

Специальные правила техники безопасности

- Это устройство предназначено для кратковременного хранения и демонстрации упакованных пищевых продуктов, таких как пищевые продукты, ингредиенты и напитки, включая вино. Это устройство может поддерживать температуру хранящихся в нём пищевых продуктов в диапазоне температур (охлаждения), указанном в настоящем документе.
- Не храните в устройстве другие продукты. Не помещайте в охлаждаемую витрину или в её близи опасные продукты, такие как топливо, спирт, краски, горючие и взрывоопасные материалы и т.п. Не храните в устройстве лекарства.
- Продукты, помещенные в охлаждаемую витрину, должны быть предварительно охлаждены. В противном случае, пар, исходящий из охлаждаемых продуктов может конденсироваться внутри холодильной камеры - это нормальное явление и не вызывает на повреждение устройства.
- Это устройство должен устанавливать, вводить в эксплуатацию и проводить техническое обслуживание квалифицированный и обученный персонал. Устройство должен

обслуживать обученный и квалифицированный персонал, например, персонал кухни или обслуживающий бар.

- **ПРЕДУПРЕЖДЕНИЕ:** Не используйте механические приборы или другой инструмент, чем инструмент, рекомендованный производителем, чтобы ускорить процесс размораживания.

- **ПРЕДУПРЕЖДЕНИЕ:** Не повредите контур хладагента.



Внимание! Опасность пожара! В устройстве используется хладагент R600a. Это экологически чистый легковоспламеняющийся хладагент. Он не вреден для озонового слоя и не влияет на парниковый эффект. Однако использование этого хладагента приводит к небольшому увеличению уровня шума, создаваемого устройством. Кроме шума, создаваемого компрессором, пользователь может слышать звук, вызванный потоком хладагента. Этого явления нельзя избежать, и он не оказывает негативного влияния на функционирование устройства. Во время транспортировки и установки устройства следует соблюдать особую осторожность, чтобы не повредить какие-либо части холодильной системы. Утечка хладагента может привести к повреждению глаз.

- В данном оборудовании используется пенный хладагент C₅H₁₀. Это очень легковоспламеняющееся вещество.

- **ПРЕДУПРЕЖДЕНИЕ:** Не закрывайте вентиляционные отверстия корпуса устройства. При установке устройства, убедитесь, что оно имеет необходимую вентиляцию. Никогда не блокируйте поток воздуха вокруг устройства, чтобы обеспечить достаточную циркуляцию воздуха.

- **ПРЕДУПРЕЖДЕНИЕ:** Внутри камер холодильной надставки не используйте электрооборудование, кроме того, которое рекомендовано производителем.

- Устройство устанавливайте только на чистой, сухой, стабильной, горизонтальной поверхности.

- Храните вдали от горячих поверхностей и открытого пламени. Убедитесь, что устройство не подвергается воздействию высоких температур, пыли, солнечного света, влаги, брызг и капель воды.

- Убедитесь, что вокруг устройства оставлено 10 см пространства для обеспечения надлежащей вентиляции.

- Не ударяйте твердым инструментом в стеклянные компоненты устройства. Не чистите устройство с использованием прямой струи воды или паровой мойки и не смывайте водой – существует риск поражения электрическим током.

- Не кладите на устройство любые предметы. Рядом с устройством не помещайте источники открытого огня (например, горящие свечи). Не помещайте какие-либо предметы, наполненные водой в непосредственной близости от устройства, (например, вазы).

- Не накрывайте устройство во время работы. Это создает опасность пожара.

- Не мойте устройство водой. При мойке устройства вода может попасть в электрические детали и вызвать поражение электрическим током.

- Не сверлите дополнительные отверстия в устройстве. Не устанавливайте никакого дополнительного оборудования на устройстве.

- Не помещайте во внутрь устройства большое количество пищи, чтобы предотвратить его повреждение. Максимальная нагрузка для каждой полки составляет прим. 8 кг.
- Не пытайтесь входить на устройство.

Монтаж устройства

- Устройство не должно быть наклонено под углом, большим, чем 45°. После установки устройства подождите 2 часа, прежде чем подключите его к источнику питания и проведете запуск. Эта рекомендация касается также ситуации, когда устройство впоследствии будет переноситься в другое место.
- Устройство следует устанавливать в сухом месте.
- Во время установки оставьте как минимум 10 см пространства от задней и с обеих боковых сторон устройства для обеспечения надлежащей вентиляции. Если оставите меньше места - это может повлиять на производительность устройства.
- Рекомендуется устанавливать устройство вместе с хорошей естественной вентиляцией, благодаря чему устройство будет вентилироваться надлежащим образом.

Электрические компоненты и другие опасности

- Ни одно другое оборудование не должно быть подключено к одному источнику питания, к которому подключено устройство.
- Не храните в устройстве другие продукты. Не помещайте в холодильный шкаф или в его близи опасные продукты, такие как топливо, спирт, краски, горючие и взрывоопасные материалы и т.п и т.п. – опасность пожара.
- Не храните в устройстве лекарства.
- После того, как устройство будет выключено или отключено от источника питания, подождите прим. 5 минут перед повторным запуском.
- Не мойте устройство водой. При мойке устройства вода может попасть в электрические детали и вызвать поражение электрическим током. Детали/аксессуары устройства не подходят для мытья в посудомоечной машине.

Назначение устройства

- Устройство предназначено для профессионального использования.
- Данное приспособление предназначено исключительно для хранения продуктов питания и напитков в охлажденном состоянии и для их демонстрации в ресторанах, столовых и на других коммерческих предприятиях (булочные, мясные магазины, супермаркеты и т. д.) с целью продажи. Использование устройства для любых других целей может привести к повреждению или травме тела.
- Использование устройства для любых других целей будет рассматриваться, как использование не по назначению.

Монтаж заземления

Холодильный шкаф является устройством I класса защиты и должен быть заземлен. Заземление снижает риск поражения электрическим током за счет использования отводящего провода.

Устройство оснащено заземляющим проводом с вилкой с заземляющим контактом. Не вставляйте вилку в розетку, если устройство не установлено надлежащим образом и не заземлено.

Детали устройства



Перед первым использованием

- Снимите и удалите упаковку и защиты.
- Проверьте комплектность устройства. В случае неполной поставки или повреждения свяжитесь с поставщиком (смотри: Гарантия).
- Очистите все детали в соответствии с инструкцией (Смотри ==> Очистка и техническое обслуживание).
- Поместите все полки в устройстве.

Замечание: Из-за остатка от производственного процесса, в течение первых нескольких запусков из устройства может выходить неприятный запах. Это нормальное явление и не указывает на повреждение устройства или опасность для пользователя. Убедитесь, что устройство хорошо вентилируется.

Использование

- Сначала подключите съемный шнур питания в гнездо устройства, а затем подключите устройство к соответствующему источнику питания.
- Перед помещением в устройстве продуктов питания и напитков, оставьте его включенным в течение нескольких часов, чтобы оно достигло необходимой температуры охлаждения.





- Обслуживание цифровой панели регулирования температуры (спереди устройства)

1) Установка температуры

- Нажмите **SET**, чтобы установить режим. На дисплее отобразится заданная температура.

- Нажмите ▲ или ▼, чтобы увеличить или уменьшить заданную температуру.
- Нажмите еще раз **SET**, чтобы подтвердить заданную температуру и выйти. На дисплее отобразится заданная температура внутри надставки.

Замечание:

- Если в течение 10 секунд не будет нажата ни одна из кнопок, в холодильной надставке установится ново введенная температура.
- Установка температуры в диапазоне: от 2°C до 6°C.
- На изменение температуры внутри продукта может влиять температура окружающей среды.
- Для того, чтобы поддержать низкую температуру внутри надставки, не держите слишком долго открытую дверь.2) Установка света внутри витрины
- Нажмите , чтобы включить свет внутри витрины. Нажмите еще раз , чтобы его выключить.

3) Индикатор охлаждения

- Во время охлаждения надставки (работает компрессор), индикатор охлаждения будет гореть непрерывно.
- Когда внутри холодильной надставки будет установлена заданная температура, индикатор охлаждения будет мигать.
- Индикатор охлаждения погаснет в начале размораживания.

4) Индикатор размораживания

- Во время размораживания надставки, индикатор размораживания будет гореть непрерывно.
- После размораживания, индикатор размораживания погаснет.

Очистка и техническое обслуживание

Замечание: Перед очисткой и уходом всегда сначала отключите устройство и отключите его от электросети, вынимая вилку из розетки.

- Внутренние и внешние поверхности устройства можно чистить влажной тканью с небольшим количеством моющего средства.
- Полки можно вынуть из устройства и вымыть, погружая в воду.
- Для очистки устройства не используйте непосредственное воздействие водяной струи, пароочистителя и не погружайте всего устройства в воду.
- Детали устройства нельзя мыть в посудомоечной машине.
- Очищайте регулярно устройство.

Детали	Очистка	Замечания
Детали устройства, такие как полки, кронштейны к ним и т.д.	- Погрузите в теплую мыльную воду в течение прибл.10-20 минут. - Промойте тщательно под проточной водой.	Тщательно просушите все детали
Наружные стеклянные поверхности	- Протрите мягкой тканью и небольшим количеством нейтрального моющего средства. Убедитесь, что во внутрь устройства не попала вода или влага.	
Внутренние стеклянные поверхности	- Удалите остатки пищи. - Протрите мягкой тканью и небольшим количеством нейтрального моющего средства. Убедитесь, что во внутрь устройства не попала вода или влага.	
Стеклопанель		

Хранение устройства, когда оно не используется

- Замечание: Всегда отключайте устройство от источника питания.
- Выньте из устройства все продукты питания и напитки.
- Вымойте устройство согласно рекомендациям,

содержащимся в разделе Очистка и техническое обслуживание. (Смотри==> Очистка и техническое обслуживание).

- Храните устройство в прохладном, чистом месте, недоступном для детей.

Поиск и устранение неисправностей

Если устройство не работает должным образом, обратитесь к приведенной ниже таблице, чтобы найти правильное решение. Если вы не можете решить проблему, обратитесь к поставщику.

Проблема	Возможная причина	Возможное решение
Устройство не начинает процесс охлаждения при подключении к источнику питания.	Сработал тепловой предохранитель	Обратитесь к поставщику / поставщику услуг для ремонта устройства.
	Поврежден компрессор.	
	Вилка неправильно подключена к электрической розетке.	Проверьте и убедитесь, что все компоненты подключены правильно.
Охлаждение слишком слабое.	Устройство подвергается сильному воздействию солнечного света или расположено близко к источнику тепла.	Перенесите устройство в другое место, вдали от прямых солнечных лучей.
	Дверь не закрыта должным образом или повреждена прокладка.	Закройте правильно дверь.
	В устройстве находится слишком много пищи.	Удалить из устройства часть пищи.
	Недостаточная вентиляция вокруг устройства.	Убедитесь, что устройство гарантирует достаточную вентиляцию, обеспечивая 10 см вокруг него.
Устройство генерирует много шума.	Устройство не установлено в горизонтальном положении.	Убедитесь, что устройство было установлено в горизонтальном положении.
	Устройство находится в контакте со стенкой или другими объектами.	Убедитесь, что вокруг устройства не менее 10 см свободного пространства.
	Внутри устройства находятся свободные детали.	Обратитесь к поставщику / поставщику услуг для ремонта устройства.
Не загорается световой индикатор	Поврежден световой индикатор	Обратитесь к поставщику / поставщику услуг для ремонта устройства.

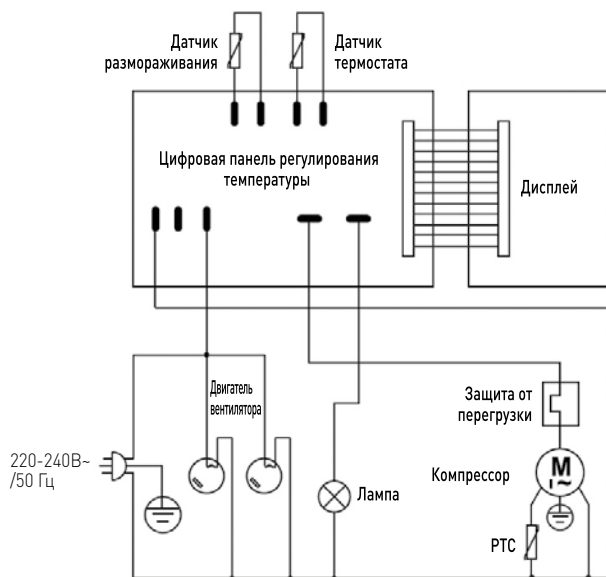
RU

Технические характеристики

№ продукта	233702	233719
Рабочее напряжение и частота	220-240В~ /50 Гц	
Потребляемая мощность	160 Вт	
Номинальный ток	1,4А	
Установка температуры	От 2°C до 6°C	
Вес нетто (прим.)	57kg	66kg
Степень защиты	I Класс	
Климатический класс	4	
Хладагент/ количество вводимого хладагента	R600a / 50g	R600a / 65g
Мощность свечения	2Вт (LED)	2,5Вт (LED)
Уровень шума	< 60 дБ (A)	
Цвет	Чёрный	
Ёмкость витрины	120 л	160 л
Внешние размеры	686x568x(выс.)686мм	850x568x(выс.)686мм

Примечание: Технические характеристики могут быть изменены без предварительного уведомления.

Электрическая схема (продукт № 233702, 233719)



RU

Гарантия

Любая неполадка или поломка, которая влечет за собой неправильную работу устройства, которая будет выявлена в течение первого года от даты покупки, будет устранена бесплатно, или же все устройство будет заменено новым, если оно эксплуатировалось и обслуживалось согласно инструкции по обслуживанию и не использовалось неправильно, или в разрез с назначением. Данное положение ни в коей мере не нарушает иных прав потребителя, изложенных в законо-

дательстве. В случае заявления устройства в ремонт или на замену в рамках гарантии, следует указать место и дату покупки устройства и приложить счет, или чековую квитанцию.

Согласно нашей политике совершенствования наших продуктов оставляем за собой право на ввод изменений в конструкцию, упаковку и в технические параметры, указываемые в технической документации без предупреждения.

Утилизация и защита окружающей среды

В случае вывода оборудования из эксплуатации, продукт нельзя утилизировать вместе с другими бытовыми отходами. Пользователь несет ответственность за передачу оборудования в соответствующий пункт приема техники бывшей в употреблении. Несоблюдение вышеуказанного положения может привести к наложению штрафов в соответствии с действующими правилами в отношении утилизации отходов. Селективный сбор и утилизация использованного оборудования способствуют сохранению природных

ресурсов и обеспечивают рециркуляцию таким образом, который не вреден для здоровья и окружающей среды. Для получения дополнительной информации о том, где можно отдать использованное оборудование для утилизации, обратитесь в местную компанию по сбору отходов. Производитель и импортер несут ответственности за рециркуляцию и переработку отходов экологически безопасным способом, как непосредственно, так и в рамках государственной системы.

Αγαπητέ πελάτη,

Ευχαριστούμε που αγοράσατε αυτό το προϊόν Arktic. Διαβάστε προσεκτικά το παρόν εγχειρίδιο πριν συνδέσετε τη συσκευή, προκειμένου να προλάβετε πιθανή βλάβη που μπορεί να οφείλεται σε λαν- θασμένη χρήση. Διαβάστε ιδίως τους κανονισμούς ασφαλείας πολύ προσεκτικά.

Κανονισμοί ασφαλείας

- Η συσκευή προορίζεται μόνο για επαγγελματική χρήση.
- Η συσκευή πρέπει να χρησιμοποιείται μόνο για τον σκοπό για τον οποίο προορίζεται και σχεδιάστηκε. Ο κατασκευαστής δεν ευθύνεται για τυχόν ζημιές που προκλήθηκαν από εσφαλμένη λειτουργία και ακατάλληλη χρήση.
- Κρατήστε τη συσκευή και το βύσμα μακριά από νερό και άλλα υγρά. Σε περίπτωση που η συσκευή πέσει μέσα σε νερό, αφαιρέστε αμέσως το βύσμα από την πρίζα και μην τη χρησιμοποιήσετε μέχρι να ελεγχθεί η συσκευή από πιστοποιημένο τεχνικό. Η μη τήρηση των οδηγιών ενδέχεται να προκαλέσει κίνδυνο προς τη ζωή.
- Μην επιχειρήσετε ποτέ να ανοίξετε μόνοι σας το περίβλημα της συσκευής.
- Μην εισάγετε αντικείμενα στο περίβλημα της συσκευής.
- Μην αγγίζετε το βύσμα με υγρά χέρια.
- Κίνδυνος ηλεκτροπληξίας! Μην επιχειρήσετε να επισκευάσετε μόνοι σας τη συσκευή. Σε περίπτωση δυσλειτουργίας, οι επισκευές πρέπει να διενεργούνται μόνο από εξειδικευμένο προσωπικό.
- Μην χρησιμοποιείτε ποτέ συσκευή με βλάβη! Σε περίπτωση βλάβης, αποσυνδέστε τη συσκευή από την πρίζα και επικοινωνήστε με τον πωλητή.
- Προειδοποίηση! Μην βυθίζετε τα ηλεκτρικά μέρη της συσκευής σε νερό ή άλλα υγρά. Μην βάζετε ποτέ τη συσκευή κάτω από τρεχούμενο νερό.
- Ελέγχετε τακτικά το βύσμα και το καλώδιο τροφοδοσίας για τυχόν ζημιές. Εάν το βύσμα ή το καλώδιο τροφοδοσίας είναι κατεστραμμένο, πρέπει να αντικατασταθεί από τεχνικό σέρβις ή εξειδικευμένα άτομα για την αποφυγή τυχόν κινδύνου ή τραυματισμού.
- Βεβαιωθείτε ότι το καλώδιο δεν έρχεται σε επαφή με αιχμηρά ή θερμά αντικείμενα και κρατήστε το μακριά από φωτιά. Για να βγάλετε το βύσμα από την πρίζα, να τραβάτε πάντα το βύσμα και όχι το καλώδιο.
- Βεβαιωθείτε ότι το καλώδιο (ή το καλώδιο επέκτασης) είναι τοποθετημένο έτσι ώστε να μην προκαλέσει κίνδυνο να σκοντάψει κανείς.
- Να προσέχετε πάντα τη συσκευή κατά τη χρήση.
- Προειδοποίηση! Όσο το βύσμα είναι στην πρίζα, η συσκευή είναι συνδεδεμένη στην πηγή τροφοδοσίας.
- Απενεργοποιήστε τη συσκευή πριν τραβήξετε το βύσμα από την πρίζα.
- Ποτέ μην μεταφέρετε τη συσκευή από το καλώδιο.
- Μην χρησιμοποιείτε συσκευές που δεν παρέχονται μαζί με τη συσκευή.
- Συνδέστε τη συσκευή μόνο σε ηλεκτρική πρίζα με τάση και συχνότητα που αναφέρονται στην ετικέτα της συσκευής.

GR

- Συνδέστε το βύσμα σε μια εύκολα προσβάσιμη ηλεκτρική πρίζα έτσι ώστε σε περίπτωση έκτακτης ανάγκης η συσκευή να μπορεί να αποσυνδεθεί αμέσως. Για να απενεργοποιήσετε πλήρως τη συσκευή, βγάλτε το βύσμα από την πρίζα.
- Απενεργοποιείτε πάντα τη συσκευή πριν αποσυνδέσετε το βύσμα.
- Μην χρησιμοποιείτε ποτέ εξαρτήματα διαφορετικά από αυτά που συνιστώνται από τον κατασκευαστή. Σε αντίθετη περίπτωση, μπορεί να δημιουργηθεί κίνδυνος για τον χρήστη και να προκληθεί ζημιά στη συσκευή. Χρησιμοποιείτε μόνο αυθεντικά εξαρτήματα και αξεσουάρ.
- Αυτή η συσκευή δεν προορίζεται για χρήση από άτομα (συμπεριλαμβανομένων παιδιών) με μειωμένες σωματικές, αισθητήριες ή διανοητικές ικανότητες ή με έλλειψη πείρας και γνώσης.
- Αυτή η συσκευή δεν πρέπει, σε καμία περίπτωση, να χρησιμοποιείται από παιδιά.
- Κρατήστε τη συσκευή και το καλώδιο μακριά από παιδιά.
- Να αποσυνδέετε πάντα τη συσκευή από το ρεύμα εάν αφήνεται χωρίς επιτήρηση ή δεν χρησιμοποιείται και πριν από εργασίες συναρμολόγησης, αποσυναρμολόγησης ή καθαρισμού.
- Μην αφήνετε ποτέ τη συσκευή χωρίς επιτήρηση ενώ βρίσκεται σε λειτουργία.

Ειδικοί κανονισμοί ασφαλείας

- Αυτή η συσκευή έχει σχεδιαστεί για τη βραχυπρόθεσμη αποθήκευση και προβολή συσκευασμένων υλικών όπως τρόφιμα, συστατικά, ποτά, συμπεριλαμβανομένου και του κρασιού. Αυτή η συσκευή μπορεί να διατηρεί σταθερή τη θερμοκρασία των τροφίμων εντός καθορισμένων ορίων σε χαμηλή θερμοκρασία λειτουργίας.
- Μην αποθηκεύετε άλλα προϊόντα στη συσκευή. Μην τοποθετείτε επικίνδυνα προϊόντα, όπως καύσιμα, αλκοόλ, χρώματα, εύφλεκτα ή εκρηκτικά υλικά κλπ μέσα ή κοντά στη συσκευή. Μην αποθηκεύετε φάρμακα μέσα στη συσκευή.
- Τα προϊόντα που τοποθετούνται στη συσκευή πρέπει να είναι ήδη προ-ψυγμένα. Διαφορετικά, η εξάτμιση της υγρασίας κατά την ψύξη των τροφίμων μπορεί να συμπυκνωθεί στο εσωτερικό του διαμερίσματος ψύξης. Αυτό είναι μια φυσιολογική διαδικασία και δεν υποδηλώνει κάποια δυσλειτουργία της συσκευής.
- Η συσκευή πρέπει να εγκατασταθεί, να τεθεί σε λειτουργία και να επισκευάζεται από εξειδικευμένο ή εκπαιδευμένο άτομο. Η συσκευή προορίζεται για χρήση από εκπαιδευμένο ή εξειδικευμένο προσωπικό όπως προσωπικό κουζίνας ή μπαρ.
- **ΠΡΟΕΙΔΟΠΟΙΗΣΗ:** Μην χρησιμοποιείτε μηχανικές συσκευές ή άλλα μέσα για να επιταχύνετε τη διαδικασία απόψυξης, πέραν αυτών που συνιστώνται από τον κατασκευαστή.
- **ΠΡΟΕΙΔΟΠΟΙΗΣΗ:** Μην φθείρετε το κύκλωμα του ψυκτικού μέσου.



Προσοχή! Κίνδυνος πυρκαγιάς! Ως ψυκτικό μέσο χρησιμοποιείται το R600a, που είναι εύφλεκτο, φιλικό προς το περιβάλλον, δεν βλάπτει τη στιβάδα του όζοντος και δεν εντείνει το φαινόμενο του θερμοκηπίου. Ωστόσο, η χρήση αυτού του ψυκτικού μέσου προκαλεί μια ελαφρά αύξηση της στάθμης θορύβου της συσκευής. Εκτός από τον θόρυβο που προκαλεί ο συμπιεστής, μπορεί να ακούγεται το ψυκτικό που ρέει στο σύστημα. Αυτό είναι αναπόφευκτο και δεν έχει αρνητικές επιπτώσεις στην απόδοση της συσκευής. Κατά τη μεταφορά και την εγκατάσταση της συσκευής,

προσέξτε να μην υποστούν βλάβη τα εξαρτήματα του συστήματος ψύξης. Η διαρροή ψυκτικού μπορεί να προκαλέσει οφθαλμολογική βλάβη.

- Ο παράγοντας εμφύσησης αφρού που χρησιμοποιείται σε αυτή τη συσκευή είναι C_5H_{10} . Είναι εξαιρετικά εύφλεκτο.
- **ΠΡΟΕΙΔΟΠΟΙΗΣΗ:** Απομακρύνετε όλα τα εμπόδια γύρω από όλα τα ανοίγματα εξαερισμού της συσκευής. Παρέχετε αρκετό εξαερισμό στην περιβάλλουσα δομή κατά την εγκατάσταση. Μην κλείνετε την αναρρόφηση της ροής αέρα και την έξοδο αέρα προκειμένου να διατηρείται η κυκλοφορία του αέρα.
- **ΠΡΟΕΙΔΟΠΟΙΗΣΗ:** Μην χρησιμοποιείτε ηλεκτρικές συσκευές στο εσωτερικό των διαμερισμάτων φύλαξης τροφίμων της συσκευής, εκτός εάν είναι του τύπου που προτείνεται από τον κατασκευαστή.
- Τοποθετείτε τη συσκευή σε καθαρή, σταθερή, οριζόντια και επίπεδη επιφάνεια.
- Διατηρείτε τη συσκευή μακριά από θερμές επιφάνειες και ανοικτές φλόγες. Προστατεύετε τη συσκευή από τη θερμότητα, τη σκόνη, την απευθείας έκθεση στον ήλιο, την υγρασία, τις διαρροές και την εκτίναξη νερού.
- Κατά τη διάρκεια της χρήσης, αφήνετε τουλάχιστον 10 cm ελεύθερο χώρο γύρω από τη συσκευή για επαρκή εξαερισμό.
- Μην χτυπάτε με βαριά σκεύη την γυάλινη επιφάνεια της συσκευής. Μην χρησιμοποιείτε πίδακες νερού ή συσκευές καθαρισμού με ατμό κατά τον καθαρισμό της συσκευής και μην την βυθίζετε σε νερό, καθώς τα εξαρτήματά της θα βραχούν και μπορεί να προκληθεί ηλεκτροπληξία.
- Μην τοποθετείτε αντικείμενα επάνω στη συσκευή. Μην τοποθετείτε αντικείμενα με ανοικτές πηγές φωτιάς (π.χ. κεριά) επάνω ή δίπλα στη συσκευή. Μην τοποθετείτε αντικείμενα με νερό (π.χ. βάζα) επάνω ή κοντά στη συσκευή.
- Μην καλύπτετε ποτέ τη συσκευή κατά τη χρήση. Ενδέχεται να προκληθεί πυρκαγιά.
- Μην πλένετε τη συσκευή με νερό. Το πλύσιμο μπορεί να προκαλέσει διαρροές και να αυξήσει τον κίνδυνο ηλεκτροπληξίας.
- Μην δημιουργείτε πρόσθετα ανοίγματα στη συσκευή. Μην τοποθετείτε πρόσθετα εξαρτήματα στη συσκευή.
- Μην υπερφορτώνετε τα ράφια για να αποφύγετε τυχόν ζημιά. Το μέγιστο βάρος φόρτωσης κάθε ραφιού είναι περίπου 8 κιλά.
- Μην προσπαθήσετε να ανεβείτε πάνω στη συσκευή.

Εγκατάσταση της συσκευής

- Η συσκευή δεν πρέπει να έχει κλίση άνω των 45° . Αφού εγκαταστήσετε τη συσκευή, περιμένετε 2 ώρες πριν την συνδέσετε στο ρεύμα. Το ίδιο ισχύει και σε περίπτωση μεταγενέστερης μετακίνησης της συσκευής.
- Η συσκευή πρέπει να τοποθετείται πάντα σε ξηρό περιβάλλον.
- Πρέπει επίσης να αφήνεται τουλάχιστον 10 cm ελεύθερος χώρος στην πίσω, αριστερή και δεξιά πλευρά της συσκευής για λόγους αερισμού. Σε αντίθετη περίπτωση, μπορεί να επηρεαστεί η απόδοση της συσκευής.
- Συνιστούμε να τοποθετείτε τη συσκευή σε χώρο με επαρκή φυσικό αερισμό.

Ηλεκτρικά εξαρτήματα και άλλοι κίνδυνοι

- Όταν χρησιμοποιείτε τη συσκευή, δεν πρέπει να συνδέσετε στην ίδια πρίζα άλλες συσκευές.
- Μην τοποθετείτε επικίνδυνα προϊόντα, όπως καύσιμα, αλκοόλ, χρώματα, εύφλεκτα ή εκρηκτικά υλικά κλπ μέσα ή κοντά στη συσκευή, καθώς ενδέχεται να προκύψει κίνδυνος πυρκαγιάς.
- Μην αποθηκεύετε φάρμακα μέσα στη συσκευή.
- Εάν απενεργοποιήσετε ή αποσυνδέσετε τη συσκευή από την παροχή ηλεκτρικού ρεύματος, περιμένετε περίπου 5 λεπτά πριν την ενεργοποιήσετε ξανά.
- Μην πλένετε τη συσκευή με νερό καθώς μπορεί να προκληθούν διαρροές και κίνδυνος ηλεκτροπληξίας. Κανένα μέρος/εξαρτήματα δεν μπορεί να τοποθετηθεί σε πλυντήριο πιάτων.

Προβλεπόμενη χρήση

- Η συσκευή προορίζεται για επαγγελματική χρήση.
- Αυτή η συσκευή έχει σχεδιαστεί για τη βραχυπρόθεσμη αποθήκευση σε χαμηλή θερμοκρασία συσκευασμένων τροφίμων, όπως λαχανικά, ποτά, φρούτα κλπ. Οποιαδήποτε άλλη χρήση μπορεί να προκαλέσει ζημιά στη συσκευή ή τραυματισμό.
- Η χρήση της συσκευής για οποιονδήποτε άλλο σκοπό θεωρείται εσφαλμένη. Ο χρήστης είναι αποκλειστικά υπεύθυνος για την μη.

Γείωση

Αυτή η συσκευή ταξινομείται στην κλάση προστασίας Ι και πρέπει να συνδέεται με γείωση προστασίας. Η γείωση μειώνει τον κίνδυνο ηλεκτροπληξίας παρέχοντας ένα καλώδιο διαφυγής για το ηλεκτρικό ρεύμα.

Αυτή η συσκευή είναι εξοπλισμένη με καλώδιο που φέρει καλώδιο γείωσης με βύσμα γείωσης. Το βύσμα πρέπει να είναι συνδεδεμένο σε σωστά τοποθετημένη και γειωμένη πρίζα.

Λειτουργικά μέρη της συσκευής

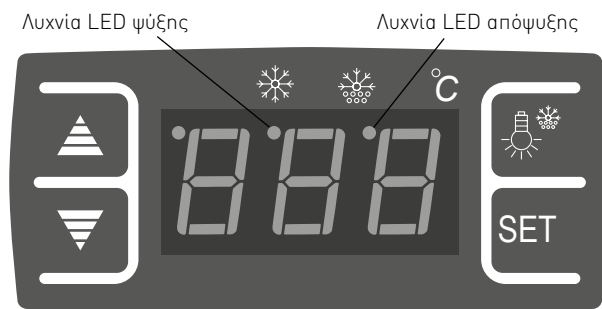


Προετοιμασία πριν την πρώτη χρήση

- Αφαιρέστε κάθε προστατευτική συσκευασία.
- Βεβαιωθείτε ότι υπάρχουν όλα τα μέρη και εξαρτήματα της συσκευής. Σε περίπτωση μη ολοκληρωμένης παράδοσης και ζημιών: Επικοινωνήστε με τον προμηθευτή (Βλ. ==> Εγγύηση).
- Καθαρίστε όλα τα μέρη της συσκευής όπως περιγράφεται (Βλ. ==> Καθαρισμός και συντήρηση).
- Τοποθετήστε όλα τα ράφια στη συσκευή.

Operation

- Συνδέστε το καλώδιο τροφοδοσίας στο βύσμα στο πίσω μέρος της συσκευής και, στη συνέχεια, συνδέστε το φις στην κατάλληλη πρίζα.
- Αφήστε τη συσκευή να λειτουργήσει μερικές ώρες για να φτάσει στη θερμοκρασία ψύξης, πριν τοποθετήσετε στο εσωτερικό της ποτά ή τρόφιμα.



- Ψηφιακός ελεγκτής θερμοκρασίας λειτουργίας (στο πίσω μέρος της συσκευής).

1). Ρύθμιση της θερμοκρασίας



- Πατήστε το κουμπί **SET** για να μεταβείτε σε λειτουργία ρύθμισης. Εμφανίζεται η θερμοκρασία που έχει οριστεί.
- Πατήστε το κουμπί ▲ ή το κουμπί ▼ για να αυξήσετε ή να μειώσετε τη θερμοκρασία.
- Πατήστε ξανά το κουμπί **SET** για επιβεβαίωση της ρύθμισης και έξοδο. Εμφανίζεται η θερμοκρασία του θαλάμου.

Σημείωση:

- Εάν δεν πατηθεί κανένα κουμπί εντός 10 δευτερολέπτων, θα αποθηκευτεί η τελευταία ορισθείσα θερμοκρασία.
- Το εύρος της θερμοκρασίας που μπορεί να οριστεί κυμαίνεται από 2°C έως 6°C. Η πραγματική θερμοκρασία στο εσωτερικό της συσκευής μπορεί να έχει διακυμάνσεις ανάλογα με την εξωτερική θερμοκρασία του περιβάλλοντος.
- Διατηρείτε την πόρτα ανοιχτή για όσο το δυνατόν μικρότερο διάστημα για να διατηρείται η ψυχρή θερμοκρασία στον θάλαμο.

Σημείωση: Λόγω καταλοίπων από τη διαδικασία παραγωγής, η συσκευή ενδέχεται να παράγει μια ελαφριά μυρωδιά στους πρώτους κύκλους λειτουργίας της. Αυτό είναι φυσιολογικό και δεν υποδηλώνει βλάβη ή κίνδυνο. Βεβαιωθείτε ότι η συσκευή διαθέτει καλό εξαερισμό.

2). Φωτισμός μέσα στον θάλαμο

- Πατήστε το κουμπί  για να ενεργοποιήσετε τον φωτισμό. Πατήστε ξανά το κουμπί  για να απενεργοποιήσετε τον φωτισμό.

3). Λυχνία LED ψύξης

- Κατά τη διάρκεια της λειτουργίας ψύξης (με ενεργοποιημένο τον συμπιεστή), η λυχνία LED ψύξης θα παραμένει αναμμένη.
- Όταν επιτευχθεί στον θάλαμο η θερμοκρασία που ορίσατε, η λυχνία LED ψύξης θα αρχίσει να αναβοσβήνει.
- Όταν αρχίσει η απόψυξη, η λυχνία LED ψύξης θα σβήσει.

4). Λυχνία LED απόψυξης

- Κατά τη διάρκεια της λειτουργίας απόψυξης, η λυχνία LED απόψυξης θα παραμένει αναμμένη.
- Μετά την ολοκλήρωση της απόψυξης, η λυχνία LED απόψυξης θα σβήσει.

Καθαρισμός και συντήρηση

Προσοχή: Να αποσυνδέετε πάντα τη συσκευή από την πρίζα πριν ξεκινήσετε εργασίες καθαρισμού ή συντήρησης.

Καθαρισμός

- Οι εξωτερικές και εσωτερικές επιφάνειες μπορούν να καθαριστούν με ένα νωπό πανί και μια μικρή ποσότητα καθαριστικού μέσου.
- Τα ράφια μπορούν να αφαιρεθούν και να πλυθούν με νερό.
- Μην χρησιμοποιείτε πίδακες νερού ή συσκευές καθαρισμού με ατμό και μη βυθίζετε τη συσκευή μέσα σε νερό.
- Κανένα μέρος της συσκευής δεν μπορεί να πλυθεί σε πλυντήριο πιάτων.
- Καθαρίζετε τακτικά τη συσκευή.

Εξαρτήματα	Τρόπος καθαρισμού	Σημείωση
Όλα τα εξαρτήματα όπως ράφια, στηρίγματα ραφιών κλπ	<ul style="list-style-type: none">• Βάλτε τα σε ζεστό σαπουνόνερο για περίπου 10 έως 20 λεπτά.• Ξεπλύνετε καλά με καθαρό νερό.	Στεγνώστε καλά όλα τα εξαρτήματα.
Εξωτερικές γυάλινες επιφάνειες	<ul style="list-style-type: none">• Σκουπίστε με ένα μαλακό πανί και ουδέτερο απορρυπαντικό. Βεβαιωθείτε ότι δεν εισέρχεται νερό ή υγρασία στο εσωτερικό της συσκευής.	
Εσωτερικές γυάλινες επιφάνειες	<ul style="list-style-type: none">• Αφαιρέστε τυχόν υπολείμματα τροφίμων.• Σκουπίστε με ένα μαλακό πανί και ήπιο απορρυπαντικό. Βεβαιωθείτε ότι δεν εισέρχεται νερό ή υγρασία στο εσωτερικό της συσκευής.	
Γυάλινη πόρτα		

GR

Αποθήκευση της συσκευής για μεγάλο χρονικό διάστημα

- **Προσοχή:** Να αποσυνδέετε πάντα τη συσκευή από την πρίζα.
- Αφαιρέστε όλα τα τρόφιμα από τη συσκευή.
- Καθαρίστε τη συσκευή όπως περιγράφεται στην ενότητα Καθαρισμός. (Βλ. == > Καθαρισμός).
- Φυλάξτε τη συσκευή σε δροσερό και καθαρό μέρος και μακριά από τα παιδιά.

Αντιμετώπιση προβλημάτων

Αν η συσκευή δεν λειτουργεί σωστά, συμβουλευτείτε τον παρακάτω πίνακα για πιθανές λύσεις. Αν συνεχίσετε να μην μπορείτε να επιλύσετε το πρόβλημα, επικοινωνήστε με τον προμηθευτή/πάροχο σέρβις.

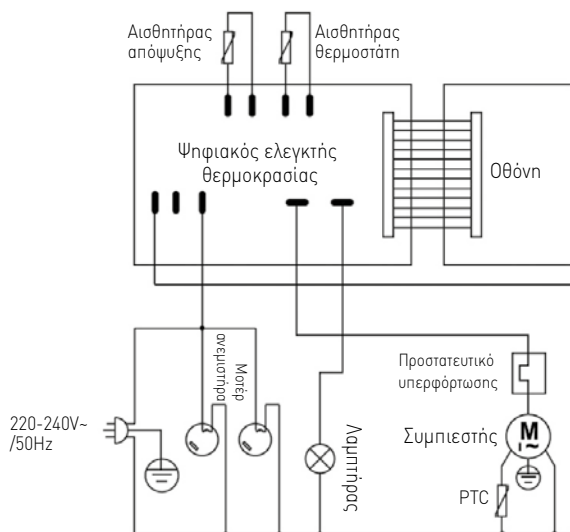
Προβλήματα	Πιθανή αιτία	Πιθανή λύση
Η συσκευή δεν αρχίζει να ψύχεται μετά τη σύνδεσής της στο ρεύμα.	Έχει ενεργοποιηθεί η θερμική διακοπή.	Απευθυνθείτε στον προμηθευτή/πάροχο σέρβις για επισκευή.
	Ο συμπιεστής είναι ελαττωματικός.	
	Το φιλτράρισμα/είσοδος ρεύματος δεν έχει συνδεθεί σωστά στην τροφοδοσία ρεύματος.	Βεβαιωθείτε ότι όλες οι συνδέσεις είναι σωστά συνδεδεμένες.
Η ψύξη δεν είναι αρκετή.	Η συσκευή είναι εκτεθειμένη σε ισχυρή ηλιακή ακτινοβολία ή βρίσκεται κοντά σε πηγή θερμότητας.	Μετακινήστε τη συσκευή σε νέα θέση, μακριά από άμεση ηλιακή ακτινοβολία.
	Η πόρτα δεν έχει κλείσει καλά ή η φλάντζα σφραγίσματος είναι ελαττωματική.	Κλείστε καλά την πόρτα.
	Έχει τοποθετηθεί υπερβολικά μεγάλη ποσότητα τροφίμων μέσα στη συσκευή.	Τοποθετήστε μικρότερη ποσότητα τροφίμων μέσα στη συσκευή.
	Ο περιβάλλον αερισμός δεν είναι επαρκής.	Βεβαιωθείτε ότι παρέχεται επαρκής εξαερισμός διατηρώντας απόσταση τουλάχιστον 10 cm από τον τοίχο ή άλλα αντικείμενα.
Εξέρχεται υπερβολικός θόρυβος.	Η συσκευή δεν έχει τοποθετηθεί σε οριζόντια θέση.	Βεβαιωθείτε ότι η συσκευή έχει τοποθετηθεί σε οριζόντια θέση.
	Η συσκευή ακουμπά σε τοίχο ή άλλα αντικείμενα.	Βεβαιωθείτε ότι διατηρείται απόσταση τουλάχιστον 10 cm από τον τοίχο ή άλλα αντικείμενα.
	Υπάρχουν χαλαρά εξαρτήματα στο εσωτερικό της συσκευής	Απευθυνθείτε στον προμηθευτή/πάροχο σέρβις για επισκευή.
Χαμηλή ροή αέρα από τον αεραγωγό και υψηλότερη θερμοκρασία δωματίου	Παγετός φράσσει τον εξαεμιστή	Αύξηση συχνότητας τήξης
	Πολύ χαμηλή τιμή στον ελεγκτή θερμοκρασίας	Ρυθμίστε την τιμή
	Ο εξαερισμός φρακάρεται από αντικείμενα	Αφαιρέστε τα αντικείμενα
	Ο εσωτερικός ανεμιστήρας είναι χαλασμένος	Επικοινωνήστε με τον προμηθευτή/πάροχο υπηρεσίας για επισκευή.
Κανονική ροή αέρα από τον αεραγωγό αλλά υψηλότερη θερμοκρασία δωματίου	Ανεπαρκές ψυκτικό	Επικοινωνήστε με τον προμηθευτή/πάροχο υπηρεσίας για επισκευή.
	Πολύ υψηλή τιμή στον ελεγκτή θερμοκρασίας	Ρυθμίστε την τιμή στον ελεγκτή θερμοκρασίας
	Η ροή του αέρα στον αεραγωγό είναι πολύ υψηλή	Αφαιρέστε τα εμπόδια που συμβάλουν στην υψηλή ροή
	Η θερμοκρασία ή η υγρασία του περιβάλλοντος χώρου είναι κάτω από την κανονική	Αλλάξτε τις υφιστάμενες τιμές
Στάζει νερό	Η θερμοκρασία ή η υγρασία του περιβάλλοντος χώρου είναι κάτω από την κανονική	Αλλάξτε τις υφιστάμενες τιμές
	Ο σωλήνας θέρμανσης έχει βλάβη	
	Δυσλειτουργία ελεγκτή στάθμης νερού	Επικοινωνήστε με τον προμηθευτή/πάροχο υπηρεσίας για επισκευή.
Κανονική ροή αέρα από τον αεραγωγό αλλά περιοδική διακύμανση της θερμοκρασίας δωματίου	Μολυσμένος συμπυκνωτής	
	Δυσλειτουργία συμπιεστή προστασίας θερμότητας	Επικοινωνήστε με τον προμηθευτή/πάροχο υπηρεσίας για επισκευή.
	Δυσλειτουργία ελεγκτή θερμοκρασίας	
Η λυχνία LED δεν ανάβει	Η λυχνία LED είναι ελαττωματική	Επικοινωνήστε με τον προμηθευτή/πάροχο υπηρεσίας για επισκευή.

Τεχνικές προδιαγραφές

Αρ. προϊόντος	233702	233719
Τάση και συχνότητα λειτουργίας	220-240V- /50 Hz	
Ονομαστική ισχύς εισόδου	160W	
Ονομαστική τιμή ρεύματος	1,4A	
Ρύθμιση θερμοκρασίας	Ρύθμιση από 2°C έως 6°C	
Καθαρό βάρος (περ.)	57κιλά	66κιλά
Κατηγορία προστασίας	Κατηγορία I	
Κλιματική κλάση	4	
Χρησιμοποιούμενο ψυκτικό μέσο και ποσότητα έγχυσης	R600a / 50g	R600a / 65g
Τροφοδοσία φωτισμού	2W (LED)	2,5W (LED)
Επίπεδο θορύβου	< 60 dB (A)	
Χρώμα	Μαύρο	
Χωρητικότητα θαλάμου	120λίτρα	160λίτρα
Εξωτερικές διαστάσεις	686x568x(Y)686mm	850x568x(Y)686mm

Σημείωση: Οι τεχνικές προδιαγραφές μπορούν να τροποποιηθούν χωρίς προηγούμενη ειδοποίηση.

Ηλεκτρικό Διάγραμμα (Αρ. προϊόντος 233702, 233719)



Εγγύηση

Οποιοδήποτε ελάττωμα επηρεάζει τη λειτουργικότητα της συσκευής που γίνεται προφανές ένα χρόνο μετά την αγορά της, θα διορθώνεται με δωρεάν επισκευή ή αντικατάσταση, αρκεί η συσκευή να έχει χρησιμοποιηθεί και συντηρηθεί σύμφωνα με τις οδηγίες και να μην έχει γίνει κατάχρηση ή λανθασμένη χρήση της με οποιοδήποτε τρόπο. Δε θίγονται τα νόμιμα δικαιώματά σας. Εάν η συσκευή υποστηρίζεται από εγγύηση, δηλώστε πού και πότε έχει αγοραστεί

και συμπεριλάβετε την απόδειξη αγοράς (π.χ. απόδειξη λιανικής πώλησης).

Σύμφωνα με την πολιτική μας για τη συνεχή εξέλιξη των προϊόντων μας, διατηρούμε το δικαίωμα να αλλάξουμε το προϊόν, τη συσκευασία και τις προδιαγραφές τεκμηρίωσής του χωρίς προειδοποίηση.

Απόρριψη & Περιβάλλον

Η συσκευή, μετά το πέρας της διάρκειας ζωής της, δεν πρέπει να απορρίπτεται ως οικιακό απόρριμμα. Πρέπει να απορρίπτεται, με δική σας ευθύνη, σε καθορισμένο σημείο συλλογής. Η μη τήρηση αυτού ενδέχεται να τιμωρείται σύμφωνα με τους ισχύοντες κανονισμούς για τη διάθεση των απορριμμάτων. Η χωριστή συλλογή και ανακύκλωση αυτής της συσκευής κατά τη στιγμή της απόρριψης βοηθά στη διατήρηση των φυσικών πόρων και εξασφαλίζει την

ανακύκλωσή της με τρόπο που προστατεύει την ανθρώπινη υγεία και το περιβάλλον. Για περισσότερες πληροφορίες σχετικά με το πού μπορείτε να απορρίψετε τη συσκευή για ανακύκλωση, επικοινωνήστε με την τοπική εταιρεία συλλογής απορριμμάτων. Οι κατασκευαστές και οι εισαγωγείς δεν αναλαμβάνουν την ευθύνη ανακύκλωσης, επεξεργασίας και οικολογικής διάθεσης, είτε άμεσα είτε μέσω δημόσιου συστήματος.

ΣΕΡΒΙΣ ΕΛΛΑΔΟΣ:

Serviceworld

τηλ.: 210.6203.838 (10 γραμμές)

info@serviceworld.gr

www.serviceworld.gr

Hendi B.V.

Steenoven 21
3911 TX Rhenen, The Netherlands
Tel: +31 (0)317 681 040
Email: info@hendi.eu

Hendi Polska Sp. z o.o.

ul. Magazynowa 5
62-023 Gądki, Poland
Tel: +48 61 6587000
Email: info@hendi.pl

Hendi Food Service Equipment GmbH

Gewerbegebiet Ehring 15
5112 Lamprechtshausen, Austria
Tel: +43 (0) 6274 200 10 0
Email: office.austria@hendi.eu

Hendi UK Ltd.

Central Barn, Hornby Road
Lancaster, LA2 9JX, United Kingdom
Tel: +44 (0)333 0143200
Email: sales@hendi.co.uk

Hendi Food Service Equipment Romania Srl

Str. 13 decembrie 94A, Hala 14
Braşov, 500164, Romania
Tel: +40 268 320330
Email: office@hendi.ro

PKS Hendi South East Europe SA

5 Metsovou Str.
18346 Moschato, Athens, Greece
Tel: +30 210 4839700
Email: office.greece@hendi.eu

Hendi HK Ltd.

1208, 12/F Exchange Tower
33 Wang Chiu Road, Kowloon Bay, Hong Kong
Tel: +852 2154 2618
Email: info-hk@hendi.eu

Find Hendi on internet:

www.hendi.eu
www.facebook.com/HendiFoodServiceEquipment
www.linkedin.com/company/hendi-food-service-equipment-b.v.
www.youtube.com/HendiEquipment

- Changes, printing and typesetting errors reserved.
- Änderungen und Druckfehler vorbehalten.
- Wijzigingen en drukfouten voorbehouden.
- Producent zastrzega sobie prawo do zmian oraz
błądów drukarskich w instrukcji.

- Variations et fautes d'impression réservés.
- Errori di cambiamenti, di stampa e di impaginazione riservati.
- Drepturi rezervate cu privire la modificări și greșeli de imprimare.
- Изменения, печати и верстки ошибки защищены.
- Με επιφύλαξη αλλαγών, λαθών εκτύπωσης και στοιχειοθεσίας.