



Tools for Chefs

# Kebab knife electric

267240, 267257



You should read this user manual carefully before using the appliance.

Bevor Sie das Gerät in Betrieb nehmen, sollten Sie diese Gebrauchsanweisung aufmerksam lesen.

Alvorens de apparatuur in gebruik te nemen dient u deze gebruiksaanwijzing aandachtig te lezen.

Przed uruchomieniem urządzenia należy koniecznie dokładnie przeczytać niniejszą instrukcję obsługi.

Lisez attentivement ce mode d'emploi avant d'utiliser l'appareil .

Prima di utilizzare l'apparecchio in funzione leggere attentamente le istruzioni per l'uso.

Citiți cu atenție prezentul manual de utilizare înainte de folosirea aparatului.

Внимательно прочитайте руководство пользователя перед использованием прибора.

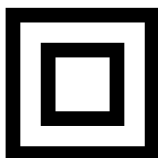
Πρέπει να διαβάσετε αυτές τις οδηγίες χρήσης προσεκτικά πριν χρησιμοποιήσετε τη συσκευή.



Keep these instructions with the appliance.  
Diese Gebrauchsanweisung bitte beim Gerät aufbewahren.  
Bewaar deze handleiding bij het apparaat.  
Zachowaj instrukcję urządzenia  
Gardez ces instructions avec cet appareil.  
Conservate le istruzioni insieme all'apparecchio.  
Păstrați manualul de utilizare alături de aparat.  
Хранить руководство вместе с устройством.  
Φυλάξτε αυτές τις οδηγίες μαζί με τη συσκευή.



For indoor use only.  
Nur zur Verwendung im Innenbereich.  
Alleen voor gebruik binnenshuis.  
Do użytku wewnątrz pomieszczeń.  
Pour l'usage à l'intérieur seulement.  
Destinato solo all'uso domestico.  
Doar pentru uz la interior.  
Использовать только в помещениях.  
Για χρήση μόνο σε εσωτερικό χώρο.




For item 267420 only.  
Nur für Artikel 267420.  
Alleen voor artikel 267420.  
Dla pozycji numer 267420 tylko.  
Pour l'article 267420 seulement.  
Solo per articolo 267420.  
Numai pentru articolul 267420.  
Только для элемента 267420.  
Για το στοιχείο 267420 μόνο.

Dear Customer,

Thank you for purchasing this Hendi appliance. Before using the appliance for the first time, please read this manual carefully, paying particular attention to the safety regulations outlined below.

---

## Safety regulations

- This appliance is intended for commercial use.
- The appliance must only be used for the purpose for which it was intended and designed. The manufacturer is not liable for any damage caused by incorrect operation and improper use.
- Keep the appliance and electrical plug away from water and any other liquids. In the event that the appliance should fall into water, immediately remove plug from the socket and do not use until the appliance has been checked by a certified technician. Failure to follow these instructions could cause a risk to lives.
- Never attempt to open the casing of the appliance yourself.
- Do not insert any objects in the casing of the appliance.
- Do not touch the plug with wet or damp hands.
-  **Danger of electric shock!** Do not attempt to repair the appliance yourself. In case of malfunctions, repairs are to be conducted by qualified personnel only.
- **Never use a damaged appliance!** Disconnect the appliance from the electrical outlet and contact the retailer if it is damaged.
- **Warning!** Do not immerse the electrical parts of the appliance in water or other liquids. Never hold the appliance under running water.
- Regularly check the power plug and cord for any damage. If the power plug or power cord is damaged, it must be replaced by a service agent or similarly qualified persons in order to avoid danger or injury.
- Make sure the cord does not come in contact with sharp or hot objects and keep it away from open fire. To pull the plug out of the socket, always pull on the plug and not on the cord.
- Ensure that the cord (or extension cord) is positioned so that it will not cause a trip hazard.
- Always keep an eye on the appliance when in use.
- **Warning!** As long as the plug is in the socket the appliance is connected to the power source.
- Turn off the appliance before pulling the plug out of the socket.
- Never carry the appliance by the cord.
- Do not use any extra devices that are not supplied along with the appliance.
- Only connect the appliance to an electrical outlet with the voltage and frequency mentioned on the appliance label.
- Connect the power plug to an easily accessible electrical outlet so that in case of emergency the appliance can be unplugged immediately. To completely switch off the appliance pull the power plug out of the electrical outlet.
- Always turn the appliance off before disconnecting the plug.

EN




- Never use accessories other than those recommended by the manufacturer. Failure to do so could pose a safety risk to the user and could damage the appliance. Only use original parts and accessories.
- This appliance is not intended for use by persons (including children) with reduced physical, sensory or mental capabilities, or lack of experience and knowledge.
- This appliance must not be used by children under any circumstances.
- Keep the appliance and its cord out of reach of children.
- Always disconnect the appliance from the mains if it is left unattended or is not in use, and before assembly, disassembly or cleaning.
- Never leave the appliance unattended during use.

---

## Special Safety Regulations

- This Kebab slicer is a portable machine and equipped with mechanically driven cutting knife.
- This machine is intended only for cutting any type of grilled meat in profession conditions for commercially use.
- Use the machine only as described in the manual.
- This machine should be operated by specialized trained personnel and used in food industry such as catering, restaurant, bar, etc.
- All maintenance and repair works should be performed by specialized trained authorized technicians.
- Wear protective clothing, mask, or protective glasses if necessary (not supplied) during operation.
- **WARNING:** Take great care and strong concentration when handling the cutting knife during operation
- Only use the machine with knife correctly mounted with the knife protector and adjustments ring.
- DO NOT use the machine with a damaged knife protector or damaged adjustment ring.
- **WARNING: ALWAYS** switch off the machine and unplug from electrical power supply before cleaning, maintenance or storage.
- **WARNING! ALWAYS** keep hands, fingers, long hair and clothing away from the cutting knife.
- **WARNING!** DO NOT pointed at the people with the machine during operation.
- **Caution!** Securely route the power cord if necessary in order to prevent unintentional pulling or accident.
- DO NOT continuously operate the machine to avoid overheat the motor. The maximum continuous operation time is about 15-20 minutes. Operate the machine again after it has been cooled down.
- Keep the power cord away from heating sources, oil, sharp edges or moving device part.
- Check regularly whether the moving parts function properly and make sure there is no jam.



- Operate the machine in a clear, tidy workplace and observe the hygiene regulations of each country.
- Do not wash the machine with water or a waterjet. Washing with water can cause leakage and increase the risk of electric shock. No parts are dishwasher safe.
- Do not clean or store the machine unless it is completely cooled down & stopped.
-  For item 267240, it is classified as protection class II machine.
- For item 267257, it is charged by a supplied battery charger.

### Intended use

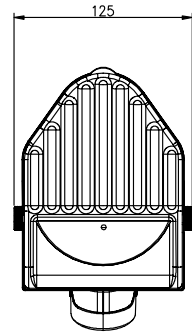
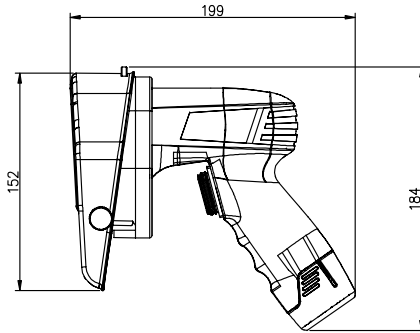
- This appliance is intended for professional use.
- The appliance is designed solely for cutting any type of grilled meat in profession conditions. Any other use may lead to damage of the appliance or personal injury.
- Operating the appliance for any other purpose shall be deemed a misuse of the device. The user shall be solely liable for improper use of the device.

### Product description

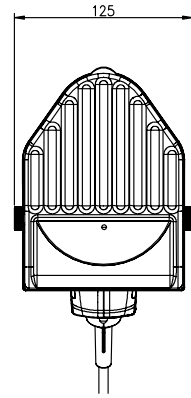
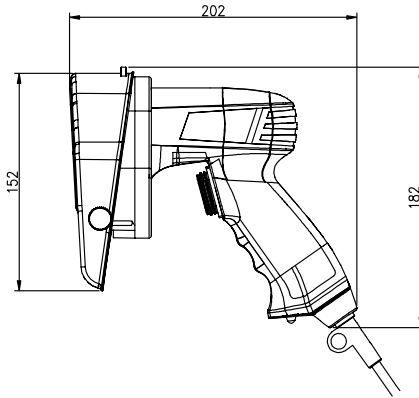


## Main technical parameters

267257



267240



Unit: mm

Item	267257	267240
Voltage	12Vdc battery	230V~/50Hz
Power	80W	
Knife size	ø 100mm	
Cutting thickness	0~8mm	
Size	199x114x184mm	194x113x173mm
Noise level	< 85 dB [A]	
Protection class	Class II	
Waterproof class	IPX4	

**Remark: DO NOT** continuously operate the machine to avoid overheat the motor.

The maximum continuous operation time is about 15~20 minutes.

Operate the machine again after it has been cooled down.



## Replacement of the circular knife

### Risk of death

Due to unintended starting up of the Kebab slicer

- Disconnect the Kebab slicer from the power supply.

### Risk of injury!

The knife is sharp.

Deep cuts can be caused.

- Remove the knife carefully.



Remove the knife protector



Remove knife

### CAREFUL: Malfunction!

Incorrect installation of the knife.

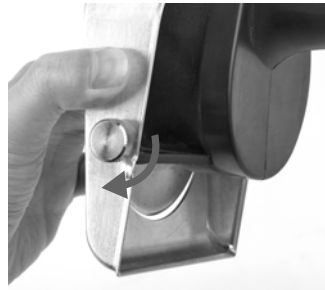
Prevents correct functioning of the Kebab slicer.

- Always install the knife with the sharpened side toward the motor.

EN



Insert the new knife, screw on the retention disk and fastening screw.



Attach the knife protector.



## Cutting meat

Meat is grilled from the outside to the inside. The inside meat is still raw.

Cutting thicknesses of 0.5 mm to 8 mm can be set.

- In order to do so, turn the adjusting screw to the left (larger) or right (smaller).

### **WARNING: Risk of injury!**

- Check that the knife protector is correctly seated
- Ensure a secure stand
- Always work from top to bottom
- Only cut grilled meat
- Only turn the kebab knife on when it has been applied to the kebab.



### **Overheat protection (For item: 267240)**

Please note that the RESET button is located under the handle for overheat protection.

- Unplug the machine from the electrical outlet first.

- Allow the machine to cool down.
- Press the RESET button under the handle
- Plug in & ready for use again.

## Hygiene/cleaning

### Hygiene instructions

General hygiene instructions

- Wash hands before and after contact with food.
- Cover open wounds with a waterproof plaster.
- Avoid touching food with naked hands.
- Clean and disinfect all devices daily.

### Handling food

- Heat meat through to at least 70°C.
- Store meat at below 5°C or freeze (below -18°C).
- Avoid contact between raw and cooked food.

### Cleaning

Attention! Always unplug the machine from the electrical power outlet and let it cool down completely before cleaning and storage.

- Clean the machine after each use.
- Never immerse the machine in the water.

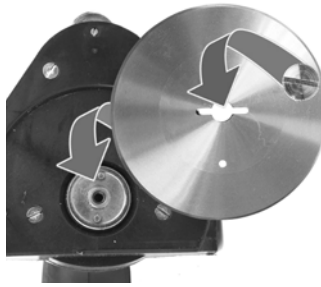
**WARNING!** Take great care when cleaning. The knife is sharp. Deep cuts can be caused.

- Remove the knife carefully.
- Remove heavy soiling on the knife, clean the protector with cleaning aids, such as sponges and brushes.
- Spray all surfaces with a fat solvent and some disinfectant and allow it to take effect for at least 5 minutes.
- Rinse off the cleaning aids on kebab knife, knife protector with a damp cloth. Keep it dry and assembly.

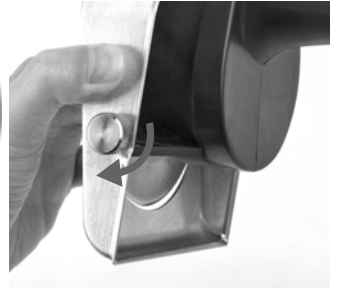




Dry off the body.



Insert the new knife, screw on the retention disk and fastening screw.



Attach the knife protector.

Clean the knife and body prior to sharpening. After the sharpening process, carry out cleaning and disinfection again.

### Sharpening the knife



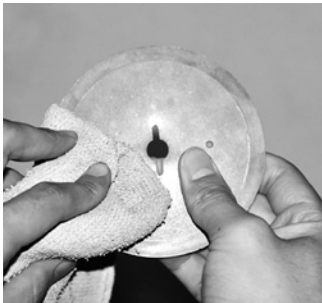
Sharpen the circular knife without teeth for approx. 1 to 2 seconds at a very flat angle from the bottom.



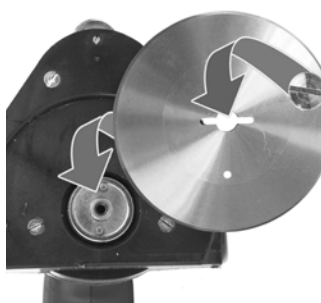
Briefly deburr from the top side.



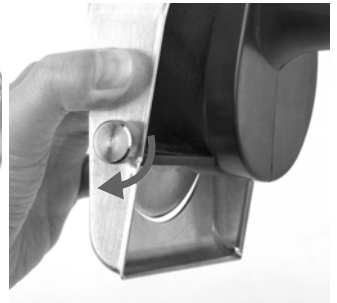
Deburr the ground section from the front.



Clean the knife.



Insert the new knife, screw on the retention disk and fastening screw.



Attach the knife protector.



## For item: 267257 battery & charger

Technical data of charger

Input: 100-240V~ / 50-60Hz

Power: 20W

Output: 12Vdc / 1.5A

Capacity: 2000 mAh

### Battery pack safety

- Battery pack shall be stored and charged in a well-ventilated, dry, cool and clean environment.
- Do not expose battery pack to extreme or high temperatures, like direct sunlight or fire. Do not place the battery pack on or near any heat source.
- Avoid unintentional switching on, ensure the on/off switch is the off position before inserting battery pack.
- Do not disassembly the battery pack.
- In case of damage and improper use of the battery, vapors may be emitted. Provide for fresh air and seek medical help in case of complaints.
- When the battery is defective, liquid can escape and come into contact with adjacent components. Check any parts concerned.
- Use the battery only in conjunction with your kebab knife.
- Only use the provided charger to charge the battery pack. DO NOT use other charger to charge this battery pack.
- Do not crush, drop or damage the battery pack. Do not use a battery pack or charger that has been dropped or received a sharp blow. A damaged battery is subject to explosion. Properly dispose of a dropped or damaged battery immediately.








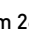
### Charger safety

- Protect the battery charger from rain and moisture.
- Do not use this charger to charge other batteries.
- Do not operate the charger on easily inflammable surface (e.g. paper, textiles, etc.) or combustible surrounding.
- Operate the charger in a well-ventilated, dry, cool and clean environment.
- Plug the charger within the listed voltage range on the charger.
- Unplug the charger from the electrical outlet before attempting any maintenance or cleaning to reduce the risk of electric shock.
- Disconnect charger from the power supply when not in use.
- Do not touch the uninsulated portion of output connector or uninsulated battery terminal.

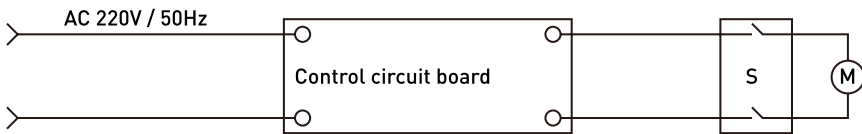
### Charging the battery

- Use only the original charger. Only this charger is matched to the Lithium-ion battery of the kebab slicer.
  - The battery is supplied partially charged. To ensure full capacity of the battery, please completely charge the battery before using the kebab slicer for the first time.
  - Do not allow children to replace the battery pack or charging the battery pack.
  - The battery pack can be charged at any time without reducing its service life. Interrupting the charging procedure does not damage the battery.
  - To remove the battery, press the battery release button and pull out the battery. Do not exert any force.
  - Caution! Danger of explosion if battery pack is incorrectly replaced. Replace battery pack with the supplied battery pack.
- WARNING:** Do not continue to press the on/off switch after the machine has been automatically switched off. The battery pack may be easily damaged.

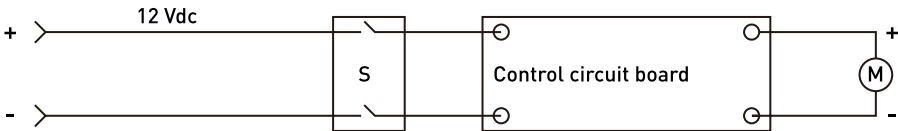
## LED functions of charger

LED indicator	Battery pack	Red LED	Green LED	Action
Prepare for charging 		Off	On	Prepare for charging
Battery will full 	Charging 	On	Off	Charging
Battery full 	Full charged 	Off	On	Charging is complete. Maintenance charging.
Battery can't be charged 	Battery can't be charged 	On/ Flash	Off	Delay charging (too hot) / Defective battery

### Circuit diagram (For item 267240)



### Circuit diagram (For item 267257)



## Warranty

Any defect affecting the functionality of the appliance which becomes apparent within one year after purchase will be repaired by free repair or replacement provided the appliance has been used and maintained in accordance with the instructions and has not been abused or misused in any way. Your statutory rights are not affected. If the appliance is claimed under warranty, state where and

when it was purchased and include proof of purchase (e.g. receipt).

In line with our policy of continuous product development we reserve the right to change the product, packaging and documentation specifications without notice.

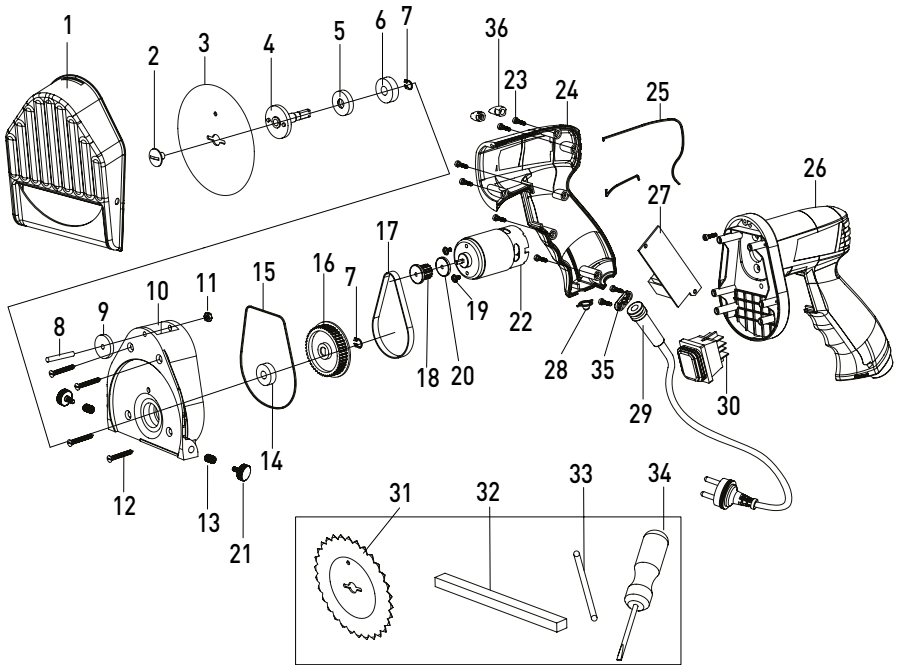
## Discarding & Environment

When decommissioning the appliance, the product must not be disposed of with other household waste. Instead, it is your responsibility to dispose to your waste equipment by handing it over to a designated collection point. Failure to follow this rule may be penalized in accordance with applicable regulations on waste disposal. The separate collection and recycling of your waste equipment at the time of disposal will help conserve natural re-

sources and ensure that it is recycled in a manner that protects human health and the environment. For more information about where you can drop off your waste for recycling, please contact your local waste collection company. The manufacturers and importers do not take responsibility for recycling, treatment and ecological disposal, either directly or through a public system.



## Part list for item 267240



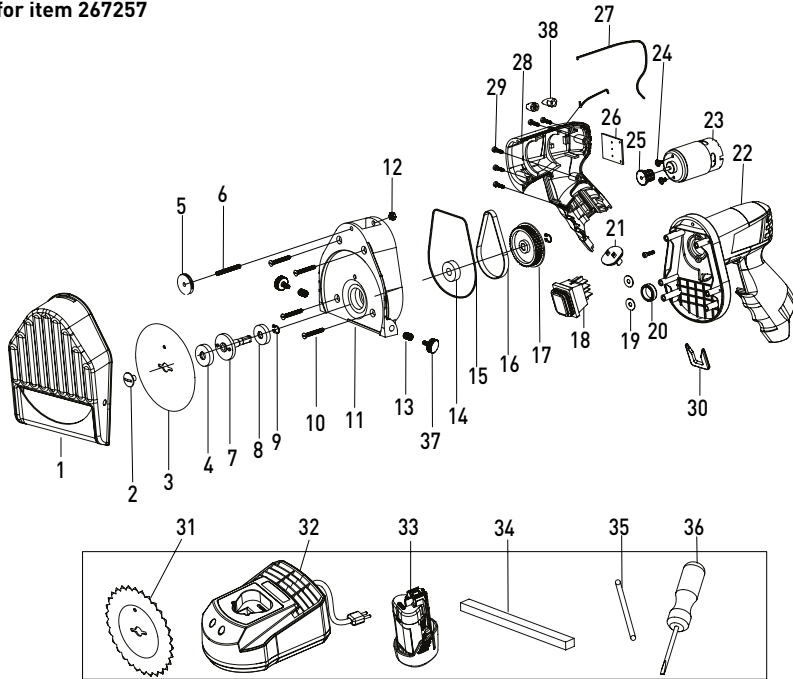
EN

Part no.	Part name	Quantity	Part no.	Part name	Quantity
1	Knife protector	1	19	Screw	2
2	Fastening screw	1	20	Barrier chip	2
3	Smooth knife	1	21	Lock screw	1
4	Output axis	1	22	Motor	1
5	Oil seal	1	23	Screw	7
6	Bearing	1	24	Left housing	1
7	Circlip	2	25	Sealing	2
8	Bolt	1	26	Right housing	1
9	Adjustment screw	4	27	Circuit board	1
10	Gear box	1	28	Reset cap	1
11	Screw	1	29	Power cord + Strain relief	1
12	Screw	4	30	Switch	1
13	Thread screw	2	31	Serrated knife	1
14	Bearing	1	32	Sharpening stone	1
15	Seal ring	1	33	Fixed pin	1
16	Pulley	1	34	Screw driver	1
17	Belt	1	35	Cable Holder	1
18	Switch	1	36	Screw plunger	8





Part list for item 267257



Part no.	Part name	Quantity	Part no.	Part name	Quantity
1	Knife protector	1	20	Fixed ring	1
2	Fastening screw	1	21	Terminal	1
3	Smooth knife	1	22	Right housing	1
4	Oil seal	1	23	Motor	1
5	Adjustment screw	1	24	Screw	2
6	Bolt	1	25	Motor gear	1
7	Output axis	1	26	Circuit board	1
8	Bearing	1	27	Sealing	1
9	Circlip	2	28	Left housing	1
10	Screw	4	29	Screw	5
11	Gear box	1	30	Housing bolt	2
12	Screw	1	31	Serrated knife	1
13	Thread screw	2	32	Charger	1
14	Bearing	1	33	Li-ion battery	2
15	Seal ring	1	34	Sharpening stone	1
16	Belt	1	35	Fixed pin	1
17	Pulley	1	36	Screw driver	1
18	Switch	1	37	Lock screw	2
19	Barrier chip	2	38	Screw plunger	5

EN



Sehr geehrte Kundin, sehr geehrter Kunde,

wir danken Ihnen für den Kauf des Gerätes Hendi. Machen Sie sich bitte mit dieser Anleitung noch vor der Inbetriebnahme des Gerätes vertraut, um Schäden durch die unsachgemäße Bedienung zu vermeiden. Den Sicherheitsregeln ist besondere Aufmerksamkeit zu widmen.

## Sicherheitsregeln

- Die unsachgemäße Bedienung des Geräts kann zur schweren Beschädigung des Geräts sowie zu Verletzungen führen.
- Dieses Gerät ist für den gewerblichen Gebrauch bestimmt.
- Das Gerät ist ausschließlich zu dem Zweck zu benutzen, zu dem es hergestellt wurde. Der Hersteller haftet nicht für Schäden, die auf unsachgemäße Bedienung des Geräts zurückzuführen sind.
- Den Kontakt des Gerätes und des Steckers mit Wasser oder einer anderen Flüssigkeit vermeiden. Den Stecker unverzüglich aus dem Stecker ziehen und das Gerät von einem anerkannten Fachmann prüfen lassen, wenn das Gerät unbeabsichtigterweise ins Wasser fällt. Bei Nichteinhaltung dieser Sicherheitsvorschriften besteht Lebensgefahr.
- Nie eigenständig das Gehäuse des Gerätes zu öffnen versuchen.
- In das Gehäuse des Gerätes keine Gegenstände einführen.
- Den Stecker nicht mit nassen oder feuchten Händen berühren.
-  **Gefahr eines Stromschlags!** Das Gerät darf nicht selbstständig repariert werden. Sämtliche Mängel und Unzulänglichkeiten sind ausschließlich durch qualifiziertes Personal zu beseitigen.
- **Niemals ein beschädigtes Gerät benutzen!** Das beschädigte Gerät vom Netz trennen und sich mit dem Verkäufer in Verbindung setzen.
- **Warnung:** Die Elektroteile des Gerätes dürfen weder in Wasser noch in andere Flüssigkeiten getaucht werden. Ebenso ist das Gerät nicht unter fließendes Wasser zu halten.
- Der Stecker und die Stromversorgungsleitung sind regelmäßig auf Beschädigungen zu prüfen. Der beschädigte Stecker oder Leitung sind an eine Servicestelle oder einer anderen qualifizierten Person zur Reparatur zu übergeben, um eventuellen Gefahren und Verletzungen des Körpers vorzubeugen.
- Man muss sich davon überzeugen, ob die Stromversorgungsleitung weder mit scharfkantigen noch mit heißen Gegenständen in Berührung kommt; halten Sie die Leitung weit entfernt von einer offenen Flamme. Um den Stecker aus der Netzsteckdose zu nehmen, muss man immer am Stecker und nicht an der Leitung ziehen.
- Die Stromversorgungsleitung (oder Verlängerungsleitung) ist vor dem zufälligen Herausziehen aus der Steckdose zu schützen. Die Stromversorgungsleitung muss so geführt werden, dass niemand zufällig darüber stolpern kann.
- Das Gerät muss während seiner Anwendung ständig kontrolliert werden.
- **Warnung!** Wenn der Stecker in der Netzsteckdose ist, muss man das Gerät als an die Stromversorgung angeschlossen betrachten.
- Bevor der Stecker aus der Netzsteckdose genommen wird, ist das Gerät auszuschalten.

DE



- Das Gerät darf beim Tragen nicht an der Leitung gehalten werden.
- Benutzen Sie kein Zubehör, das nicht mit diesem Gerät mitgeliefert wurde.
- Das Gerät muss man ausschließlich an die Steckdose mit solch einer Spannung und Frequenz anschließen, wie auf dem Typenschild angegeben wird.
- Stecken Sie den Stecker in die Steckdose, die an einem leicht und bequem zugänglichen Ort angeordnet ist, und zwar so, dass das Gerät bei einer Störung sofort abgeschaltet werden kann. Um das Gerät vollständig auszuschalten, muss man es von der Stromquelle trennen. Zu diesem Zweck muss man den Stecker, der sich am Ende der vom Gerät getrennten Leitung befindet, aus der Netzsteckdose ziehen.
- Vor dem Abtrennen des Steckers ist das Gerät auszuschalten!
- Benutzen Sie kein Zubehör, das nicht vom Hersteller empfohlen wird. Die Anwendung vom nicht empfohlenen Zubehör stellt eine Gefahr für den Nutzer dar und kann zur Beschädigung des Gerätes führen. Benutzen Sie ausschließlich Ersatzteile und Zubehör im Original.
- Dieses Gerät eignet sich nicht für den Gebrauch durch Personen (gilt auch für Kinder) mit geringerer Motorik, Sensorik oder geistiger Fähigkeit oder mangelhafter Erfahrung und Wissen.
- Auf keinen Fall darf das Bedienen des Gerätes durch Kinder zugelassen werden.
- Das Gerät mit Stromversorgungsleitung ist außerhalb der Reichweite von Kindern zu lagern.
- Ebenso muss dafür gesorgt werden, dass die Kinder das Gerät nicht zum Spielen benutzen.
- Das Gerät ist immer dann von der Stromversorgung zu trennen, wenn es ohne Aufsicht bleiben soll bzw. auch vor der Montage, Demontage und Reinigung.
- Während der Nutzung darf das Gerät nicht ohne Aufsicht gelassen werden.

---

## Besondere Sicherheitshinweise

- Das drahtlose Dönermesser ist mit einem Schneidmesser mit einem mechanischen Antrieb ausgerüstet.
- Das Gerät ist ausschließlich für den kommerziellen Gebrauch bestimmt, der auf dem Schneiden von gegrilltem Fleisch beruht.
- Benutzen Sie das Gerät auch nur entsprechend der Anleitung.
- Das Gerät sollte nur durch qualifiziertes Küchenpersonal in den gastronomischen Einrichtungen genutzt werden, z.B. bei Catering-Dienstleistungen, in Restaurants, Imbissstuben usw.
- Sämtliche Wartungstätigkeiten sowie die Reparatur des Gerätes dürfen nur durch qualifizierte und dazu befugte Techniker ausgeführt werden.
- Falls notwendig, dann muss man bei der Bedienung des Gerätes Schutzkleidung, Schutzmasken und Brillen tragen (sind dem Gerät nicht beigelegt).
- **WARNUNG:** Während des Betriebes mit dem Schneidmesser muss man besonders vorsichtig sein.



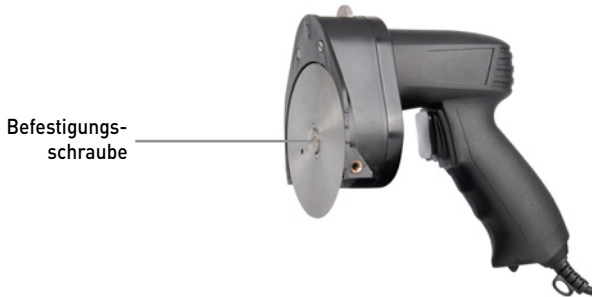
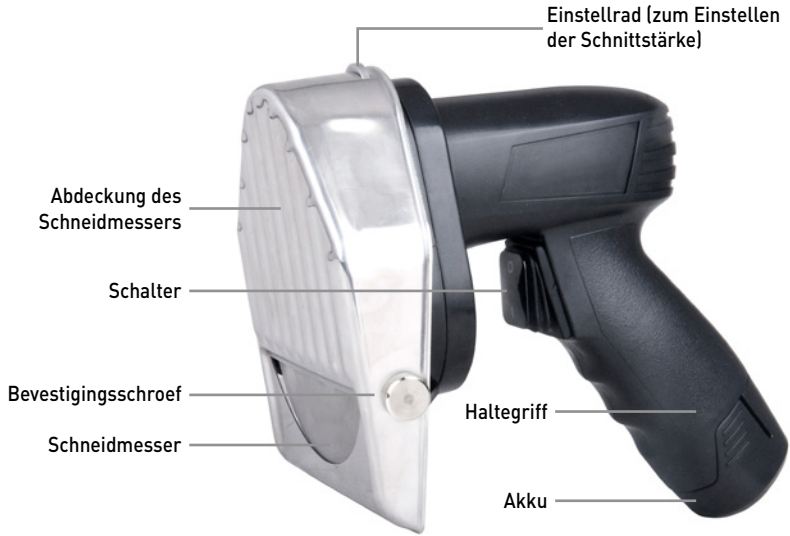
- Benutzen Sie das Gerät nur, wenn das Schneidmesser, zusammen mit der Abdeckung des Schneidmessers und dem Einstellrad, richtig montiert wurden.
- Das Gerät darf NICHT BENUTZT werden, wenn die Abdeckung des Schneidmessers oder das Einstellrad beschädigt sind.
- **WARNUNG:** Vor dem Reinigen, der Wartung oder dem Ablegen am Lagerort muss man das Gerät **IMMER** ausschalten und von der Stromversorgungsquelle trennen.
- **WARNUNG!** Ebenso muss man **IMMER** daran denken, keine lose Kleidung zu tragen, das Schneidmesser nicht mit der Hand berühren und die Haare zusammenzubinden.
- **WARNUNG!** Während des Funktionsbetriebes darf man das Gerät NICHT auf andere Personen richten.
- **Hinweis!** Außerdem muss man auch die Stromversorgungsleitung entsprechend führen und sichern, um einem zufälligen Ziehen des Gerätes und Unfällen vorzubeugen.
- Das Gerät ist nur für die Zeit des Schneidens einzuschalten, damit ein Überhitzen des Motors vermieden wird. Die ununterbrochene maximale Betriebszeit beträgt 15-20 Minuten. Nach dem Abkühlen ist das Gerät erneut zum Gebrauch geeignet.
- Die Stromversorgungsquelle muss sich immer weit entfernt von Wärmequellen, Öl, scharfen Kanten sowie beweglichen Teilen des Gerätes befinden.
- Überprüfen Sie regelmäßig, ob die beweglichen Teile des Gerätes richtig funktionieren und überzeugen Sie sich, dass sie nicht blockiert sind.
- Das Gerät muss in einem sauberen Raum bedient werden, und zwar entsprechend den im gegebenen Land geltenden hygienischen Anforderungen.
- Waschen Sie das Gerät weder mit Wasser noch mit einem starken Strahl. Das Waschen des Gerätes mit Wasser kann das Eindringen des Wassers in die elektrischen Baugruppen hervorrufen und zu einem Stromschlag führen. Die Teile des Gerätes dürfen ebenso nicht in einer Geschirrspülmaschine gewaschen werden.
- Bevor das Gerät nicht abgekühlt ist bzw. die Schneidmesser nicht angehalten haben, darf es weder gereinigt noch am Lagerort abgelegt werden.
-  Das Modell 267240 ist ein Gerät der II. Schutzklasse.
- Die Stromversorgung für das Modell 267257 erfolgt durch einen beigefügten Akku.

---

### Verwendungszweck des Gerätes

- Das Gerät ist für den professionellen Einsatz geeignet.
- Das Gerät ist nur zum Schneiden von gegrilltem Fleisch jeglicher Art unter professionellen Bedingungen bestimmt. Die Verwendung des Gerätes für andere Zwecke kann zu seiner Beschädigung sowie zu Körperverletzungen führen.
- Jede andere Verwendung des Gerätes gilt als nicht bestimmungsgemäß. Der Benutzer ist allein verantwortlich für die unsachgemäße Nutzung des Gerätes.

## Beschreibung des Produkts

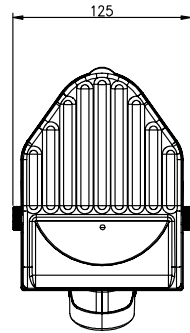
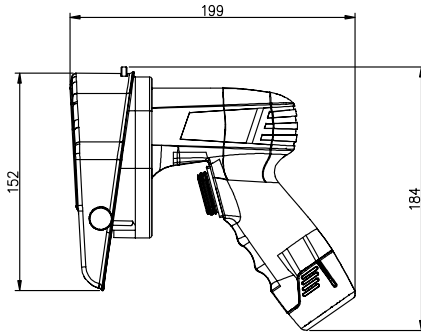


DE

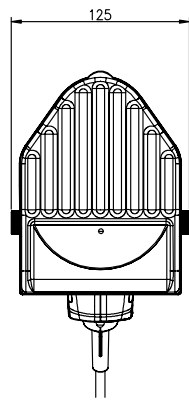
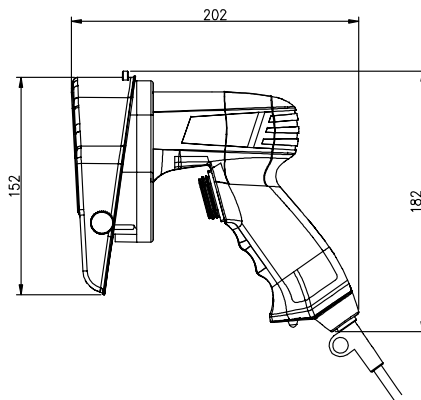


## Technische Hauptparameter

267257



267240



Maßeinheit: mm

Modell	267257	267240
Spannung	Akku 12 V DC	230V~/50Hz
Leistung	80W	
Maße der Schneide	ø 100mm	
Schnittstärke	0-8mm	
Abmessungen	199x114x184mm	194x113x173mm
Lärmpegel	< 85 dB [A]	
Schutzklasse	Klasse II	
Wasserbeständigkeitsklasse	IPX4	

**Hinweis:** Um das Überhitzen des Motors zu vermeiden, darf man das Gerät nur für die Zeit des Schneidens einschalten.

Die ununterbrochene maximale Betriebszeit beträgt 15-20 Minuten.

Nach dem Abkühlen ist das Gerät erneut zum Gebrauch geeignet.



## Wechseln des runden Schneidmessers

### Risiko tödlicher Verletzungen

Im Falle der zufälligen Inbetriebnahme des Dönermessers.

- Das Gerät von der Stromversorgungsquelle trennen.

### Verletzungsgefahr!

Das Schneidmesser ist sehr scharf.

Eine falsche Bedienung kann zur Entstehung von tiefen Schnittwunden führen.



Abnehmen der Abdeckung des Schneidmessers

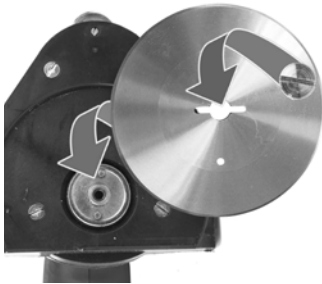


Herausnehmen des Schneidmessers

### VORSICHT! Falsche Funktion!

Die nicht korrekte Montage des Schneidmessers führt zu einer falschen Funktion des Dönermessers.

- Das Schneidmesser ist immer in Richtung des Motors zu montieren.



Das neue Schneidmesser anlegen bzw. die Haltescheibe und die Befestigungsschraube anschrauben.



Die Abdeckung des Schneidmessers befestigen.



## Fleisch schneiden

Das Fleisch wird stufenweise gegrillt – von außen nach innen. Während die Oberseite des Fleisches schon angebraten ist, befindet sich sein Inneres noch im rohen Zustand.

Die Schnittstärke des Messers beträgt von 0,5 mm bis 8 mm.

- Um die Schnittstärke einzustellen, muss man das Einstellrad nach links (dickere Stücke) oder nach rechts (dünnere Stücke) drehen.

## HINWEIS: Verletzungsgefahr!

- Es ist zu prüfen, ob die Abdeckung des Schneidmessers richtig befestigt wurde.
- Man stellt sie in eine stabile Position.

## Schutz vor Überhitzung (Modell 267240)

Man muss daran denken, dass sich die Taste RESET der thermischen Sicherung unter dem Haltegriff befindet.

- Zuerst wird das Gerät von der Stromversorgungsquelle getrennt.

- Das Fleisch schneidet man immer von oben nach unten.
- Es sind nur die gegrillten Fleischteile abzuschneiden.
- Schalten Sie das Messer erst nach dem Anlegen an das Fleisch ein.



- Das Gerät muss bis zum Abkühlen abgestellt bleiben.
- Jetzt drückt man die Taste RESET, die sich unter dem Haltegriff befindet.
- Schalten Sie das Gerät erneut ein – es ist nun betriebsbereit.

DE

## Hygiene/Reinigung

### Anleitungen bzgl. der Hygiene

Allgemeine Anleitungen bzgl. der Hygiene:

- Vor und nach jedem Kontakt mit Nahrungsmitteln sind die Hände zu waschen.
- Die entstandenen Verletzungen sind mit einem wasserbeständigen Pflaster zu bedecken.
- Berühren Sie kein Essen mit bloßen Händen.
- Alle Geräte sind täglich zu reinigen und zu desinfizieren.

### Reinigung

Hinweis! Vor Beginn der Reinigung und der Anordnung des Gerätes am Lagerort muss man immer das Gerät von der Stromversorgung trennen und abwarten, bis es abgekühlt ist.

- Nach jedem Gebrauch ist das Gerät zu waschen.
- Tauchen Sie das Gerät niemals in Wasser.

**WARNUNG!** Während der Reinigung muss man besonders vorsichtig sein. Das Schneidmesser ist sehr scharf. Eine falsche Bedienung kann zu tiefen Schnittwunden führen.

### Verfahrensweise mit dem Essen:

- Das Fleisch wird auf eine Temperatur von mindestens 70°C erhitzt.
- Das Fleisch sollte bei einer Temperatur von unter 5°C gelagert oder eingefroren (bei einer Temperatur von unter -18°C) werden.
- Die rohen und vorbereiteten Speisen sollten sich nicht einander berühren.
- Das Schneidmesser vorsichtig auswechseln.
- Die größten Verunreinigungen vom Schneidmesser entfernen, die Abdeckung des Schneidmessers mit Hilfe von Reinigungsmitteln, z.B. Schwamm oder Bürste, reinigen.
- Die gesamte Fläche ist mit einem Fettlösmittel sowie ein wenig Desinfektionsmittel zu bespritzen und so für mindestens 5 Minuten zu belassen.

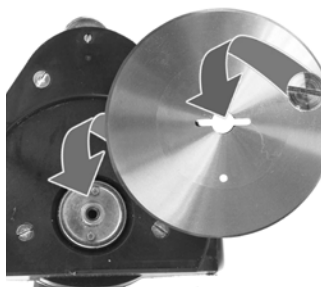




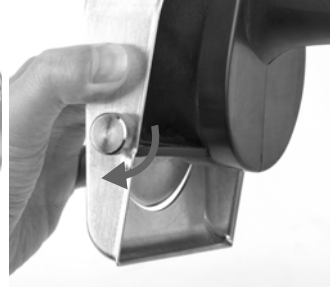
- Die Reinigungsmittel sind von dem Schneidmesser abzuspülen und die Abdeckung mit einem feuchten Tuch abzureiben. Montieren Sie nur trockene Teile des Gerätes.



Das Gehäuse des Gerätes austrocknen.



Das neue Schneidmesser anlegen bzw. die Haltescheibe und die Befestigungsschraube anschrauben.



Die Abdeckung des Schneidmessers anbringen.

DE

Vor dem Schärpen muss man das Schneidmesser und das Gehäuse des Gerätes abwaschen. Nach dem Schärpen ist erneut eine Reinigung und Desinfektion vorzunehmen.

## Schärpen



Das runde, glatte Schneidmesser ist ca. 1-2 Sekunden lang unter einem geringen Winkel in Bezug auf die horizontale Ebene zu schärfen.

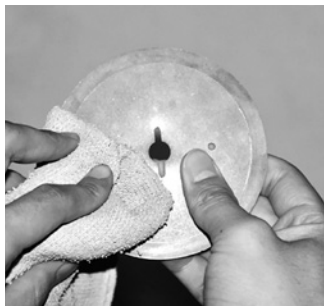


Das Schneidmesser von oben abschleifen.

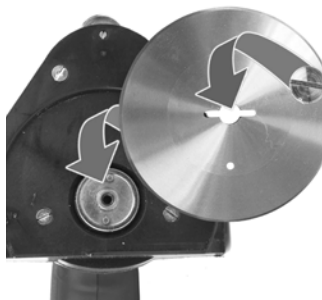


Den unteren Teil des Schneidmessers von vorn abschleifen.





Das Schneidmesser reinigen.



Das neue Schneidmesser anlegen bzw. die Haltescheibe und die Befestigungsschraube anschrauben.



Die Abdeckung des Schneidmessers anbringen.

### Betrifft das Modell: 267257 – Akku und Ladegerät

Technische Daten des Ladegerätes

Eingangsleistung: 100-240 V~ / 50-60 Hz

Leistung: 20 W

Ausgangsleistung: 12 V DC / 1,5 A

Kapazität: 2000 mAh

### Sicherheitshinweise bzgl. des Akkus

- Der Akku ist in einem entsprechend belüfteten, trockenen, kühlem sowie sauberem Raum zu lagern und zu laden.
- Der Akku darf nicht der Einwirkung von hohen Temperaturen ausgesetzt werden, z.B. der direkten Einwirkung von Sonnenstrahlen oder Feuer. Der Akku ist auch nicht in die Nähe einer Wärmequelle zu bringen.
- Ebenso ist eine zufällige Inbetriebnahme des Gerätes zu vermeiden: vor dem Einlegen des Akkus muss man sich davon überzeugen, ob sich die Taste ON/OFF in der ausgeschalteten Position befindet.
- Der Akku darf nicht demontiert werden.
- Wenn der Akku beschädigt oder nicht entsprechend seinem Verwendungszweck genutzt wurde, kann aus ihm ein spezifischer Geruch entweichen. In dem Fall, wenn der spezifische Geruch ungewünschte Reaktionen hervorruft, muss man eine Zufuhr von Frischluft gewährleisten und sich mit einem Arzt in Verbindung setzen.
- Wenn der Akku beschädigt ist, kann auch aus ihm eine Flüssigkeit auslaufen, die in die anliegenden Teile des Gerätes eindringen kann. Überprüfen Sie die Teile des Gerätes, die beschädigt sein könnten.
- Der Akku ist ausschließlich für das Dönermesser zu verwenden.
- Der Akku ist ausschließlich mit dem beigelegten Ladegerät zu laden. Verwenden Sie NIEMALS andere Ladegeräte zum Laden des Akkus.
- Den Akku darf man weder zerdrücken oder herunterfallen lassen noch ihn auf irgendeine Art und Weise beschädigen. Weder der Akku noch das Ladegerät dürfen benutzt werden, wenn sie heruntergefallen waren oder anderweitig beschädigt sein könnten. Ein beschädigter Akku kann explodieren. Der heruntergefallene bzw. beschädigte Akku muss unverzüglich entsorgt werden.

### Sicherheitshinweise bzgl. des Ladegerätes

- Das Ladegerät muss vor Regen und Feuchtigkeit geschützt werden.
- Das Ladegerät darf nicht zum Laden anderer Akkus genutzt werden.
- Ebenso darf man das Gerät nicht benutzen, wenn es auf leicht brennbaren Oberflächen (z.B. Papier, Stoffe usw.) oder in der Nähe von leicht brennbaren Materialien abgelegt wurde.

- Benutzen Sie das Ladegerät in einem entsprechend belüfteten, trockenen, kühlem und sauberen Raum.
- Außerdem muss das Gerät an eine Steckdose angeschlossen werden, deren Spannung auf dem Ladegerät angegeben ist.
- Vor der Durchführung von Wartungs- und Reparaturarbeiten muss man Ladegerät zur Verringerung des Risikos für einen Stromschlag von der Steckdose trennen.
- Wenn das Ladegerät nicht genutzt wird, dann muss man es ebenso von der Steckdose trennen.
- Berühren Sie keine nicht isolierten Teile der Ausgangsverbinding oder den nicht isolierten Pol des Terminals.








### Laden des Akkus

- Dazu benutzt man ausschließlich das dem Gerät beigegefügte Ladegerät. Zu dem Lithium-Ionen-Akku des Schneidmessers passt nur das Original-Ladegerät.
- Der Akku des Gerätes ist teilweise aufgeladen. Um die volle Kapazität des Akkus zu gewährleisten, muss man ihn vor dem ersten Gebrauch vollaufladen.
- Der Akku darf von Kindern weder ausgetauscht noch geladen werden.
- Den Akku des Gerätes des Gerätes kann man laden, ohne dass ein Risiko in Bezug auf eine Verkürzung der Nutzungsdauer besteht. Bei einer Unterbrechung des Ladeprozesses wird der Akku nicht beschädigt.
- Um den Akku herauszunehmen, muss man die Taste zur Freigabe drücken. Der Akku darf nicht mit Kraft entnommen werden.
- Hinweis! Ein falsch montierter Akku kann zu einer Explosion führen. Tauschen Sie den Akku gegen einen Ersatzakku aus, der dem Gerät beigegefügt ist.

**HINWEIS:** Drücken Sie nicht die Taste ON/OFF, wenn sich das Gerät vorher automatisch ausgeschaltet hat. Der Akku kann leicht beschädigt werden.

DE

### Bedeutung der durch die LED-Diode auf dem Ladegerät emittierten Signale

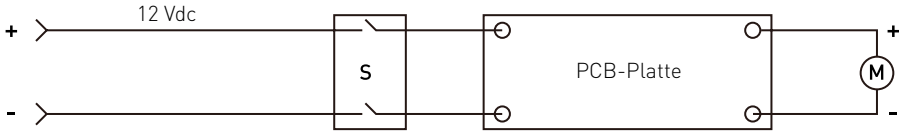
LED-Diode	Akku	Rote LED-Diode	Grüne LED-Diode	Funktion
Vorbereitung zum Laden 		Leuchtet nicht	leuchtet	Vorbereitung zum Laden
 Akku ist geladen 	Akku wird geladen	Leuchtet	Leuchtet nicht	Akku wird geladen
 Akku ist vollgeladen 	Akku ist vollgeladen	Leuchtet nicht	Leuchtet	Laden beendet. Stützendes Laden.
 Akku kann nicht geladen werden. 	Akku kann nicht geladen werden.	Leuchtet / blinkt	Leuchtet nicht	Verzögertes Laden (Überhitzung) / Akku beschädigt



## Stromlaufplan (Modell 267240)



## Stromlaufplan (Modell 267257)



### Garantie

Alle innerhalb von einem Jahr nach dem Kaufdatum festgestellten Defekte oder Mängel, die die Funktionalität des Gerätes beeinträchtigen, werden auf dem Wege der unentgeltlichen Reparatur bzw. des Austausches unter der Voraussetzung beseitigt, dass das Gerät in einer der Bedienungsanleitung gemäßen Art und Weise betrieben und gewartet wird und weder vorsätzlich vernichtet noch nicht bestimmungsgemäß genutzt wurde. Ihre Rechte aus den entsprechenden Gesetzen

bleiben davon unberührt. Eine in der Garantiefrist einzureichende Beanstandung hat die Angabe des Kaufortes und Kaufdatums und in der Anlage einen Kaufbeleg (z.B. Kassenzettel) zu enthalten.

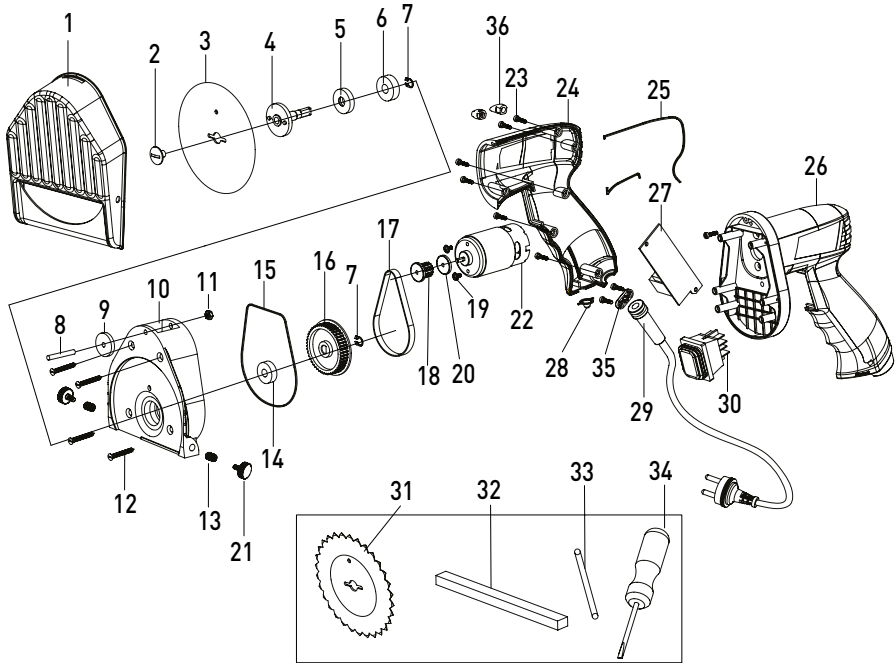
Gemäß unserer Politik der ständigen Weiterentwicklung unserer Produkte behalten wir uns vor, Änderungen am Produkt, an seiner Verpackung und an den dokumentierten technischen Daten ohne vorherige Ankündigung vorzunehmen.

### Entsorgung und Umweltschutz

Wird das Gerät außer Betrieb genommen, darf es nicht über den Hausmüll entsorgt werden. Der Benutzer ist für die Übergabe des Gerätes an eine geeignete Sammelstelle für Altgeräte verantwortlich. Die Nichteinhaltung dieser Regel kann gemäß den geltenden Vorschriften über die Abfallentsorgung bestraft werden. Die getrennte Sammlung und das Recycling der Altgeräte trägt zur Schonung der natürlichen Ressourcen bei und sorgt

für eine umwelt- und gesundheitsschonende Verwertungsweise. Weitere Informationen darüber, wo Sie Ihre Altgeräte entsorgen können, erhalten Sie bei Ihrem örtlichen Entsorgungsunternehmen. Der Hersteller und der Importeur übernehmen keine Verantwortung für das Recycling sowie die umweltfreundliche Verwertung von Abfällen, weder direkt noch über ein öffentliches System.

## Ersatzteilverzeichnis für das Modell 267240

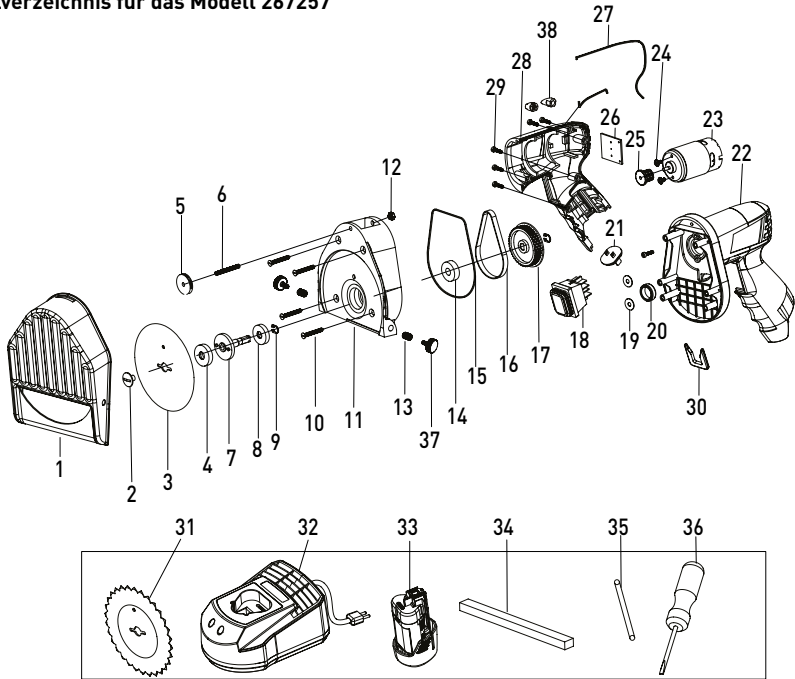


Nr. des Teiles	Bezeichnung des Teiles	Anzahl	Nr. des Teiles	Bezeichnung des Teiles	Anzahl
1	Abdeckung des Schneidmessers	1	19	Schraube	2
2	Befestigungsschraube	1	20	Aufsatz	2
3	Glattes Schneidmesser	1	21	Sicherungsschraube	1
4	Auslaufhülse	1	22	Motor	1
5	Öldichtung	1	23	Schraube	7
6	Lager	1	24	Linkes Gehäuse	1
7	Umlaufender Federring	2	25	Dichtung	2
8	Bolzen	1	26	Rechtes Gehäuse	1
9	Einstellrad	4	27	PCB-Platte	1
10	Getriebekasten	1	28	Kappe erneut aufsetzen	1
11	Schraube	1	29	Netzkabel + Zugentlastung	1
12	Schraube	4	30	Schalter	1
13	Gewindeschraube	2	31	Schneidmesser mit Zähnen	1
14	Lager	1	32	Schleifstift zum Schärfen	1
15	Dichtungsring	1	33	Fixierter Stift	1
16	Riemenscheibe	1	34	Schraubendreher	1
17	Antriebsriemen	1	35	Kabelhalter	1
18	Motorgetriebe	1	36	Schraubkolben	8

DE



## Ersatzteilverzeichnis für das Modell 267257



Nr. des Teiles	Bezeichnung des Teiles	Anzahl	Nr. des Teiles	Bezeichnung des Teiles	Anzahl
1	Abdeckung des Schneidmessers	1	20	Feststehender Ring	1
2	Befestigungsschraube	1	21	Anschlußstück	1
3	Glattes Schneidmesser	1	22	Rechtes Gehäuse	1
4	Öldichtung	1	23	Motor	1
5	Einstellrad	1	24	Schraube	2
6	Bolzen	1	25	Motorgetriebe	1
7	Auslaufhülse	1	26	PCB-Platte	1
8	Lager	1	27	Dichtung	1
9	Umlaufender Federring	2	28	Linkes Gehäuse	1
10	Schraube	4	29	Schraube	5
11	Getriebekasten	1	30	Gehäusestift	2
12	Schraube	1	31	Schneidmesser mit Zähnen	1
13	Gewindeschraube	2	32	Ladegerät	1
14	Lager	1	33	Lithium-Ionen-Akku	2
15	Dichtungsring	1	34	Schleifstift zum Schärfen	1
16	Antriebsriemen	1	35	Fixierter Stift	1
17	Riemenscheibe	1	36	Schraubendreher	1
18	Schalter	1	37	Sicherungsschraube	2
19	Distanzscheibe	2	38	Schraubkolben	5



Geachte klant,

Hartelijk dank voor de aankoop van dit Hendi apparaat. Leest u deze gebruiksaanwijzing zorgvuldig voordat u het apparaat gebruikt, dit om schade door verkeerd gebruik te voorkomen. Lees vooral de veiligheidsinstructies aandachtig door.

## Veiligheidsinstructies

- Onjuiste bediening en verkeerd gebruik van het apparaat kan ernstige schade aan het apparaat en verwonding van personen tot gevolg hebben.
- Dit apparaat bedoeld voor commerciële doeleinde.
- Het apparaat mag alleen worden gebruikt voor het doel waarvoor het werd ontworpen. De fabrikant aanvaardt geen enkele aansprakelijkheid voor schade als gevolg van onjuiste bediening en verkeerd gebruik.
- Zorg dat het apparaat en de stekker niet met water of een andere vloeistof in aanraking komen. Mocht het apparaat onverhoopt in het water vallen, trek dan onmiddellijk de stekker uit het stopcontact en laat het apparaat controleren door een erkend vakman. Niet-naleving hiervan kan levensgevaar opleveren.
- Probeer nooit zelf de behuizing van het apparaat te openen.
- Steek geen voorwerpen in de behuizing van het apparaat.
- Raak de stekker niet met natte of vochtige handen aan.
- ⚠ **Gevaar van elektrische schokken!** Probeer het apparaat niet zelf te repareren. In het geval van storingen, laat reparaties alleen uitvoeren door gekwalificeerd personeel.
- **Gebruik nooit een beschadigd apparaat!** Als het apparaat is beschadigd, haal de stekker dan uit het stopcontact en neem contact op met de winkel.
- **Waarschuwing!** Dompel de elektrische onderdelen van het apparaat niet onder in water of andere vloeistoffen. Houd het apparaat nooit onder stromend water.
- Controleer de stekker en het netsnoer regelmatig op schade. Als de stekker of het netsnoer is beschadigd, moet het worden vervangen door de technische dienst of een soortgelijk gekwalificeerd persoon om gevaar of letsel te voorkomen.
- Zorg ervoor dat het netsnoer niet in contact komt met scherpe of hete voorwerpen en houd het uit de buurt van open vuur. Als u de stekker uit het stopcontact wilt halen, trek dan altijd aan de stekker en niet aan het netsnoer.
- Zorg ervoor dat niemand per ongeluk aan het netsnoer (of verlengsnoer) kan trekken of kan struikelen over het netsnoer.
- Houd het apparaat in de gaten tijdens gebruik.
- **Waarschuwing!** Zolang de stekker in het stopcontact zit, is het apparaat aangesloten op de voedingsbron.
- Schakel het apparaat uit voordat u de stekker uit het stopcontact trekt.
- Draag het apparaat nooit aan het netsnoer.
- Gebruik geen extra hulpmiddelen die niet worden meegeleverd met het apparaat.
- Sluit het apparaat alleen aan op een stopcontact met de spanning en frequentie die is vermeld op het typeplaatje.

NL




- Sluit de stekker aan op een stopcontact dat eenvoudig bereikt kan worden, zodat de stekker in geval van nood onmiddellijk uit het stopcontact kan worden getrokken. Trek de stekker volledig uit het stopcontact om het apparaat volledig uit te schakelen. Gebruik de stekker om het apparaat los te koppelen van het lichtnet.
- Schakel het apparaat altijd uit voordat u de stekker uit het stopcontact trekt.
- Gebruik nooit accessoires die niet worden aanbevolen door de fabrikant. Zij kunnen mogelijk een veiligheidsrisico vormen voor de gebruiker en kunnen het apparaat mogelijk beschadigen. Gebruik alleen originele onderdelen en accessoires.
- Dit apparaat is niet geschikt voor gebruik door personen (inclusief kinderen) met een verminderd fysiek, sensorisch of geestelijk vermogen, of gebrek aan ervaring en kennis.
- Dit apparaat mag onder geen enkele omstandigheid worden gebruikt door kinderen.
- Houd het apparaat en het netsnoer buiten bereik van kinderen.
- Kinderen mogen niet met het apparaat spelen.
- Koppel het apparaat altijd los van het lichtnet als het onbeheerd wordt achtergelaten en voordat het apparaat wordt gemonteerd, gedemonteerd of gereinigd.
- Laat het apparaat nooit onbeheerd achter tijdens gebruik.

---

## Speciale veiligheidsvoorschriften

- Dit elektrisch kebabmes is een draagbaar apparaat en is uitgerust met een mechanisch aangedreven snijmes.
- Dit apparaat is alleen bedoeld voor het beroepsmatig snijden van gegrild vlees en voor commercieel gebruik.
- Gebruik het apparaat alleen zoals beschreven in de handleiding.
- Dit apparaat moet worden gebruikt door gespecialiseerd en getraind personeel in de voedingsindustrie (bijv. in cateringbedrijven, restaurants, bars, etc.).
- Alle onderhouds- en reparatiewerkzaamheden moeten worden uitgevoerd door gespecialiseerde en getrainde technici.
- Draag tijdens het gebruik beschermende kleding, een masker of een veiligheidsbril indien nodig (niet meegeleverd).
- **WAARSCHUWING:** Wees zeer voorzichtig en geconcentreerd bij de omgang met het snijmes tijdens gebruik
- Gebruik het apparaat alleen als het mes, de mesbeschermer en afstelring juist zijn gemonteerd.
- Gebruik het apparaat NIET met een beschadigde mesbeschermer of beschadigde afstelring.
- **WAARSCHUWING:** Schakel het apparaat **ALTIJD** uit en trek de stekker uit het stopcontact alvorens reinigings- of onderhoudswerkzaamheden uit te voeren of het apparaat op te bergen.
- **WAARSCHUWING!** Houd uw handen, vingers, lange haren en kleding **ALTIJD** uit de buurt van het snijmes.
- **WAARSCHUWING!** Richt het apparaat tijdens gebruik NIET op mensen.



- Let op! Plaats het netsnoer indien nodig op een veilige manier om te voorkomen dat er per ongeluk aan het netsnoer kan worden getrokken of onveilige situaties ontstaan.
- Gebruik het apparaat NIET continu om oververhitting van de motor te voorkomen. De maximale continue bedrijfstijd bedraagt ca. 15-20 minuten. Gebruik het apparaat opnieuw nadat het is afgekoeld.
- Houd het netsnoer uit de buurt van warmtebronnen, olie, scherpe randen en bewegende onderdelen van het apparaat.
- Controleer regelmatig of de bewegende onderdelen naar behoren functioneren en zorg ervoor dat ze niet geblokkeerd worden.
- Gebruik het apparaat op een vrije, opgeruimde werkplek en zorg ervoor dat de hygiënevoorschriften in het land van gebruik worden nageleefd.
- Was het apparaat niet met water of een waterstraal. Wassen met water kan lekkages veroorzaken en het risico op elektrische schokken verhogen. Geen van de onderdelen zijn vaatwasmachinebestendig.
- Niet reinigen of opbergen tenzij het apparaat volledig is afgekoeld & gestopt.
-  Voor item 267240: dit apparaat is geclassificeerd als een beschermingsklasse II apparaat.
- Voor item 267257: dit item wordt opgeladen met de meegeleverde acculader.

### Beoogd gebruik

- Het apparaat is bestemd voor professioneel gebruik.
- Het apparaat is enkel ontworpen om gegrild vlees te snijden in professionele omstandigheden. Elk ander gebruik kan leiden tot schade aan het apparaat of lichamelijk letsel.
- Gebruik van het apparaat voor andere doeleinden wordt beschouwd als verkeerd gebruik van het apparaat. De gebruiker is volledig aansprakelijk voor alle risico's die voortvloeien uit verkeerd gebruik van het apparaat.

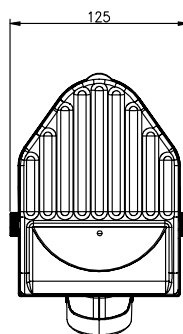
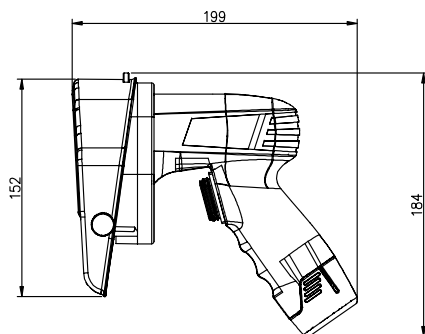
NL

### Beschrijving product

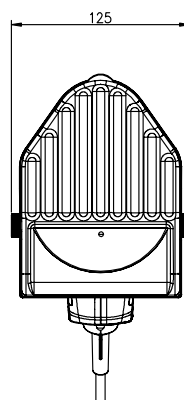
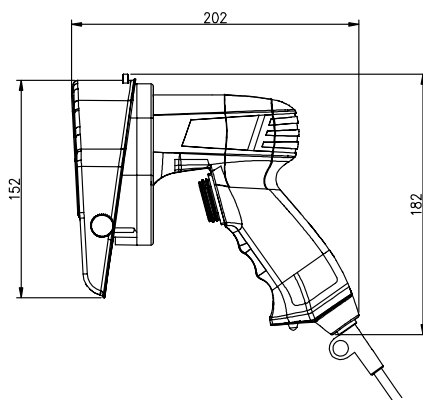


## Belangrijkste technische parameters

267257



267240



Eenheid: mm

Item	267257	267240
Spanning	12Vdc accu	230V~/50Hz
Vermogen	80W	
Afmetingen mes	ø 100mm	
Snijdikte	0~8mm	
Afmetingen	199x114x184mm	194x113x173mm
Geluidsniveau	< 85 dB (A)	
Beschermingsklasse	Klasse II	
Waterdichtheidsklasse	IPX4	

**Opmerking: Gebruik het apparaat NIET continu om oververhitting van de motor te voorkomen.  
De maximale continue bedrijfstijd bedraagt ca. 15~20 minuten.  
Gebruik het apparaat opnieuw nadat het is afgekoeld.**

## Vervanging van het ronde mes

### Risico op dodelijk letsel

Om onbedoeld starten van het kebabmes te voorkomen

- Trek de stekker van het kebabmes uit het stopcontact.

### Risico op letsel!

Het mes is scherp.

Het mes kan diepe snijwonden veroorzaken.

- Verwijder het mes voorzichtig.



Verwijder de mesbeschermer



Verwijder het mes

### VOORZICHTIG: Storing!

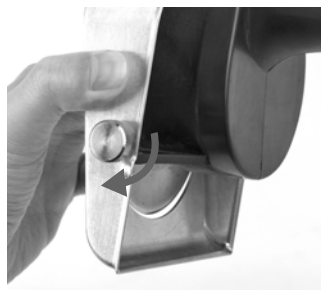
Het onjuist installeren van het mes zorgt ervoor dat het kebabmes niet correct functioneert.

- Installeer het mes altijd met de scherpe kant naar de motor gericht.

NL



Plaats het nieuwe mes en schroef de borgschijf en bevestigingsschroef vast.



Bevestig de mesbeschermer.



## Vlees snijden

Vlees wordt van buiten naar de binnen gegrild. De binnenkant van het vlees is nog rauw.

De snijdikte kan worden ingesteld van 0,5 mm tot 8 mm.

- U kunt de snijdikte instellen door de afstelschroef naar links (groter) of naar rechts (kleiner) te draaien.

## WAARSCHUWING: Risico op letsel!

- Controleer of de mesbeschermer juist is geplaatst
- Zorg ervoor dat u stevig staat

- Werk altijd van boven naar onder
- Snijd alleen gegrild vlees
- Schakel het kebabmes pas in nadat het is aangebracht op de kebab.



## Oververhittingsbeveiliging (voor item: 267240)

De resetknop van de oververhittingsbeveiliging zit op de onderkant van de handgreep.

- Trek de stekker van het apparaat eerst uit het stopcontact.
- Laat het apparaat afkoelen.

- Druk op de resetknop op de onderkant van de handgreep
- Steek de stekker opnieuw in het stopcontact & gebruik het apparaat opnieuw.

## Hygiëne/reiniging

### Hygiëne-instructies

Algemene hygiëne-instructies:

- Was uw handen altijd voor en na contact met voedsel.
- Dek open wonden af met een waterdichte pleister.
- Vermijd het aanraken van voedsel met blote handen.
- Reinig en desinfecteer alle apparaten dagelijks.

Omgang met voedsel:

- Verhit vlees tot minimaal 70°C.
- Bewaar vlees bij temperaturen onder 5°C of bevries (onder -18°C).
- Vermijd contact tussen rauw vlees en gekookt vlees.

### Reiniging

Let op! Trek de stekker van het apparaat altijd uit het stopcontact en laat het apparaat volledig afkoelen alvorens het te reinigen en op te bergen.

- Reinig het apparaat na elk gebruik.
- Dompel het apparaat nooit onder in water.

**WAARSCHUWING!** Wees zeer voorzichtig tijdens het reinigen. Het mes is scherp en kan diepe snijwonden veroorzaken.

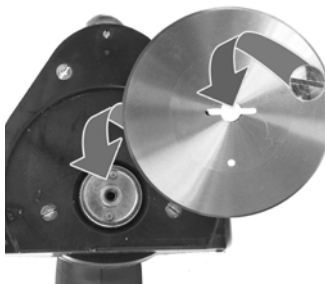
- Verwijder het mes voorzichtig.
- Verwijder zware verontreiniging op het mes, reinig de beschermer met reinigingshulpmiddelen, zoals sponzen en borstels.
- Bespuit alle oppervlakken met een vetoplosmiddel en wat desinfectiemiddel en laat minimaal 5 minuten inwerken.

- Spoel de reinigingshulpmiddelen met een vochtige doek van het kebabmes en de mesbeschermer. Maak het apparaat droog en monteer opnieuw.

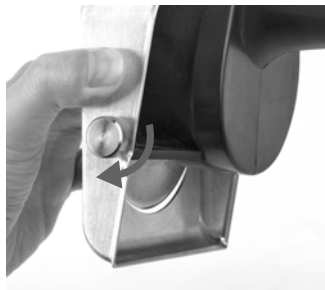




De behuizing afdrogen.



Plaats het nieuwe mes en schroef de borgschijf en bevestigings-schroef vast.



Bevestig de mesbeschermer.

Reinig het mes en de behuizing alvorens het mes te slijpen. Reinig en desinfecteer opnieuw nadat het slijp-proces is voltooid.

### Het mes slijpen



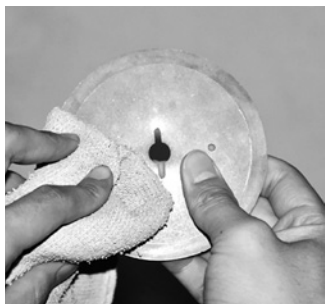
Slijp het ronde mes zonder tanden voor ca. 1 tot 2 seconden onder een zeer vlakke hoek vanaf de onderkant.



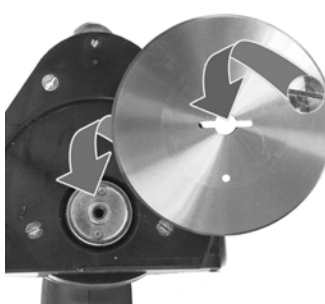
Ontbraam kort vanaf de bovenkant.



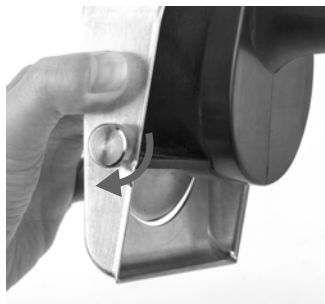
Ontbraam het grondgedeelte vanaf de voorkant.



Reinig het mes.



Plaats het nieuwe mes en schroef de borgschijf en bevestigings-schroef vast.



Bevestig de mesbeschermer.



## Voor item: 267257 accu & oplader

Technische gegevens van oplader

Ingang: 100-240V~ / 50-60Hz

Vermogen: 20W

Uitgang: 12Vdc / 1.5A

Capaciteit: 2000 mAh

### Veiligheid accu

- De accu moet worden opgeslagen en opgeladen in een goed geventileerde, droge, koele en schone omgeving.
- Stel de accu niet bloot aan hoge of extreme temperaturen, zoals direct zonlicht of vuur. Plaats de accu niet op of in de buurt van warmtebronnen.
- Voorkom per ongeluk inschakelen, zorg ervoor dat de aan/uit-schakelaar in de stand uit staat voordat de accu wordt geplaatst.
- Demonteer de accu niet.
- In het geval van schade en onjuist gebruik van de accu, kunnen er dampen vrijkomen. Zorg voor frisse lucht en raadpleeg een arts in geval van klachten.
- Als de accu defect is, kan er vloeistof ontsnappen en in contact komen met aangrenzende onderdelen. Controleer alle relevante onderdelen.
- Gebruik de accu alleen in combinatie met uw kebabmes.
- Gebruik alleen de meegeleverde acculader om de accu op te laden. Gebruik GEEN andere acculader om deze accu op te laden.
- Zorg ervoor dat de accu niet wordt geplet, valt of beschadigd raakt. Gebruik geen accu of acculader die is gevallen of een harde klap heeft gehad. Een beschadigde accu kan ontploffen. Verwijder een gevallen of beschadigde accu onmiddellijk en op de juiste manier.





### Veiligheid oplader

- Bescherm de acculader tegen regen en vocht.
- Gebruik deze oplader niet voor het opladen van andere accu's.
- Gebruik de acculader niet op licht ontvlambare oppervlakken (bijv. papier, textiel, etc.) of in licht ontvlambare omgevingen.
- Gebruik de oplader in een goed geventileerde, droge, koele en schone omgeving.
- Gebruik de acculader binnen het op de oplader vermelde spanningsbereik.
- Trek de stekker van de oplader uit het stopcontact alvorens onderhouds- of reinigingswerkzaamheden uit te voeren om het risico op elektrische schokken te beperken.
- Trek de stekker van de oplader uit het stopcontact als de oplader niet wordt gebruikt.
- Raak het niet-geïsoleerde deel van de uitgangconnector of de niet-geïsoleerde accucontactpunten niet aan.

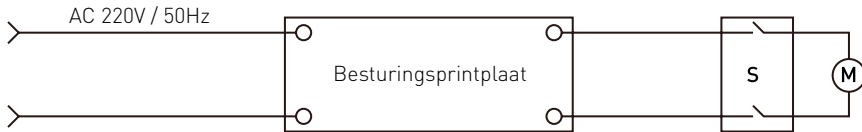
### De accu opladen

- Gebruik alleen de originele oplader. Alleen deze oplader is geschikt voor de lithium-ion-accu van het kebabmes.
  - De accu wordt gedeeltelijk opgeladen geleverd. Laad de accu volledig op voordat het kebabmes voor het eerst wordt gebruikt om ervoor te zorgen dat de capaciteit van de accu maximaal is.
  - Laat kinderen niet de accu opladen of vervangen.
  - De accu kan te allen tijde worden opgeladen zonder de levensduur te verkorten. Het onderbreken van de oplaadprocedure beschadigt de accu niet.
  - U kunt de accu verwijderen door op de accu-ontgrendelknop te drukken en de accu uit het mes te trekken. Gebruik daarbij niet te veel kracht.
  - Let op! Explosiegevaar indien accu onjuist wordt vervangen. Vervang accu door de meegeleverde accu.
- WAARSCHUWING:** Blijf niet op de aan/uit-schakelaar drukken nadat het apparaat automatisch is uitgeschakeld. De accu kan eenvoudig beschadigd raken.

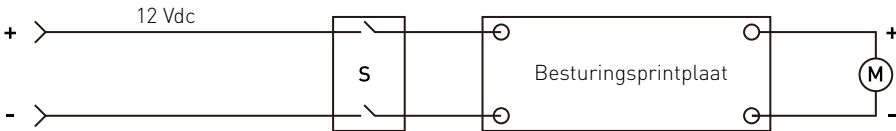
## LED-functies van de oplader

LED-indicator	Accu	Rode LED	Groene LED	Actie
Voorbereiden op opladen 		Uit	Aan	Voorbereiden op opladen
 Accu wordt opgeladen 	Opladen	Aan	Uit	Opladen
 Accu opgeladen 	Volledig opgeladen	Uit	Aan	Opladen is voltooid. Onderhoud opladen.
 Accu kan niet worden opgeladen 	Accu kan niet worden opgeladen	Aan/ Knippert	Uit	Opladen vertraagd (te heet) / Accu defect

### Schakelschema (voor item 267240)



### Schakelschema (voor item 267257)



## Garantie

Elk defect waardoor de werking van het apparaat nadelig wordt beïnvloed dat zich binnen één jaar na aankoop van het apparaat voordoet, wordt gratis hersteld door reparatie of vervanging, mits het apparaat conform de instructies is gebruikt en onderhouden en niet op enigerlei wijze verkeerd is behandeld of misbruikt. Dit laat onverlet uw bij wet bepaalde rechten. Als de garantie van kracht

is, vermeld dan waar en wanneer u het apparaat hebt gekocht en sluit een aankoopbewijs bij (bijv. kassabon of factuur).

Gezien ons streven naar voortdurende verdere productontwikkeling behouden wij ons het recht voor, zonder voorafgaande kennisgeving wijzigingen aan te brengen aan product, verpakking en documentatie.

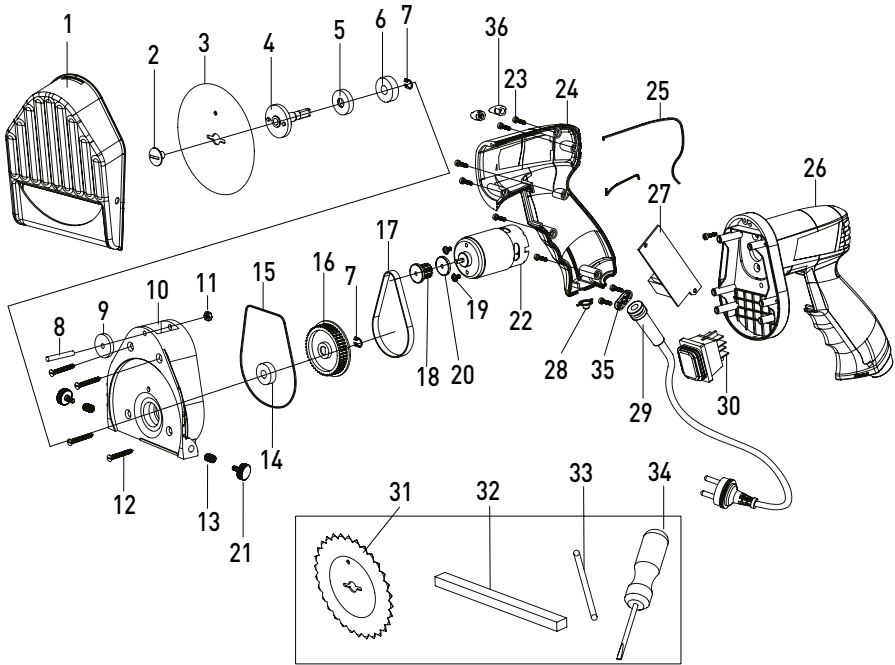
## Verwijdering & milieu

Bij de buitengebruikstelling van het apparaat, mag het niet met het overige huisafval worden verwijderd. In plaats daarvan is het uw verantwoordelijkheid om uw afgedankte apparatuur in te leveren bij een daartoe aangewezen inzamelpunt. Het niet opvolgen van deze regel kan worden bestraft in overeenstemming met de geldende voorschriften voor afvalverwerking. De gescheiden inzameling en recycling van uw afgedankte apparatuur ten tijde van buitengebruikstelling helpt bij de instand-

houding van natuurlijke hulpbronnen en waarborgt dat de apparatuur wordt gerecycled op een manier die de volksgezondheid en het milieu beschermt. Voor meer informatie over waar u uw afval kunt inleveren voor recycling kunt u contact opnemen met uw lokale afvalverwerkingsbedrijf. De fabrikant en importeurs nemen geen verantwoordelijkheid voor de recycling, behandeling en ecologische verwijdering, hetzij rechtstreeks of via een openbaar systeem.



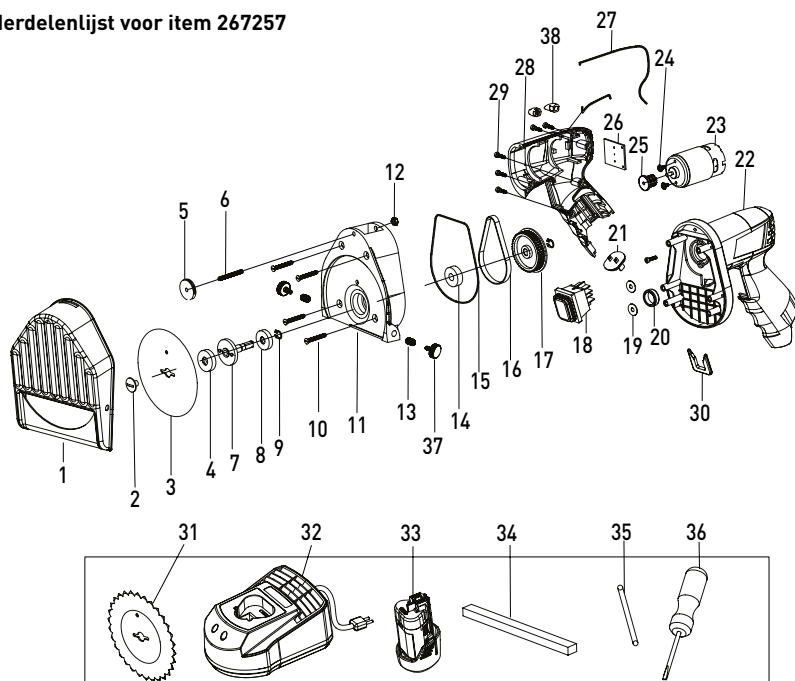
## Onderdelenlijst voor item 267240



Onderdeel nr.	Naam onderdeel	Aantal	Onderdeel nr.	Naam onderdeel	Aantal
1	Mesbeschermer	1	19	Schroef	2
2	Bevestigingsschroef	1	20	Barrière-chip	2
3	Glad mes	1	21	Borg schroef	1
4	Uitgangsas	1	22	Motor	1
5	Olieafdichting	1	23	Schroef	7
6	Kogellager	1	24	Linkerkant behuizing	1
7	Circlip	2	25	Afdichting	2
8	Bout	1	26	Rechterkant behuizing	1
9	Afstelschroef	4	27	Printplaat	1
10	Versnellingsbak	1	28	Reset dop	1
11	Schroef	1	29	Netsnoer + trekcontlasting	1
12	Schroef	4	30	Schakel over	1
13	Schroefdraad	2	31	Getand mes	1
14	Kogellager	1	32	Slijpsteen	1
15	Afdichtingsring	1	33	Vaste pen	1
16	Poelie	1	34	Schroevendraaier	1
17	Riem	1	35	Kabelhouder	1
18	Tandwiel motor	1	36	Schroef de pluinjer	8



## Onderdelenlijst voor item 267257




Onderdeel nr.	Naam onderdeel	Aantal	Onderdeel nr.	Naam onderdeel	Aantal
1	Mesbeschermer	1	20	Vaste ring	1
2	Bevestigingsschroef	1	21	Contactpunt	1
3	Glad mes	1	22	Rechterkant behuizing	1
4	Olieafdichting	1	23	Motor	1
5	Afstelschroef	1	24	Schroef	2
6	Bout	1	25	Tandwiel motor	1
7	Uitgangsas	1	26	Printplaat	1
8	Kogellager	1	27	Afdichting	1
9	Circlip	2	28	Linkerkant behuizing	1
10	Schroef	4	29	Schroef	5
11	Versnellingsbak	1	30	Bout behuizing	2
12	Schroef	1	31	Getand mes	1
13	Schroefdraad	2	32	Oplader	1
14	Kogellager	1	33	Li-ion accu	2
15	Afdichtingsring	1	34	Slijpsteen	1
16	Bout	1	35	Vaste pen	1
17	Poelie	1	36	Schroevendraaier	1
18	Schakel over	1	37	Borg schroef	2
19	Barrière-chip	2	38	Schroef de plunjer	5



Dziękujemy za zakup urządzenia firmy Hendi. Prosimy o uważne zapoznanie się z niniejszą instrukcją przed podłączeniem urządzenia, aby uniknąć uszkodzeń spowodowanych niewłaściwą obsługą. Należy zwrócić szczególną uwagę na zasady bezpieczeństwa.

## WAŻNE ZASADY BEZPIECZEŃSTWA


- Nieprawidłowa obsługa i niewłaściwe użycie mogą spowodować poważne uszkodzenie urządzenia lub zranienie osób.
- Niniejsze urządzenie przeznaczone jest do użytku komercyjnego.
- Urządzenie stosuj wyłącznie zgodnie z przeznaczeniem. Producent i/lub Sprzedawca nie ponosi żadnej odpowiedzialności za szkody spowodowane nieprawidłową obsługą i niewłaściwym użytkowaniem urządzenia.
- W czasie użycia zabezpiecz urządzenie i wtyczkę kabla zasilającego przed kontaktem z wodą lub innymi płynami. W mało prawdopodobnym przypadku zanurzenia urządzenia w wodzie, natychmiast wyciągnij wtyczkę z kontaktu, a następnie zleć kontrolę urządzenia specjalście. Nieprzestrzeganie tej instrukcji może spowodować zagrożenie życia.
- Nigdy nie otwieraj samodzielnie obudowy urządzenia.
- Nie wtykaj żadnych przedmiotów w obudowę urządzenia.
- Nie dotykaj wtyczki kabla zasilającego wilgotnymi rękami.
-  **Ryzyko porażenia prądem!** Regularnie kontroluj stan wtyczki i kabla. W przypadku wykrycia uszkodzenia wtyczki lub kabla, zleć naprawę w wyspecjalizowanym punkcie naprawczym.
- **Nigdy nie używaj uszkodzonego urządzenia!** W przypadku, gdy urządzenie spadnie lub ulegnie uszkodzeniu w inny sposób, przed dalszym użyciem zawsze zleć przeprowadzenie kontroli i ewentualną naprawę w wyspecjalizowanym punkcie naprawczym.
- **Ostrzeżenie!** Nie zanurzaj elektrycznych części urządzenia w wodzie lub w innych płynach. Nigdy nie trzymaj urządzenia pod bieżącą wodą.
- Nigdy nie naprawiaj urządzenia samodzielnie może to spowodować zagrożenie życia.
- Chroń kabel zasilający przed kontaktem z ostrymi lub gorącymi przedmiotami i chroń go przed otwartym ogniem. Jeżeli chcesz odłączyć urządzenie z kontaktu, zawsze chwytaj za wtyczkę, nigdy nie ciągnij za kabel.
- Zabezpiecz kabel (lub przedłużacz), aby nikt przez omyłkę nie wyciągnął go z kontaktu ani się o niego nie potknął.
- Urządzenie powinno być używane tylko do celów, dla których zostały pierwotnie zaprojektowane.
- Kontroluj funkcjonowanie urządzenia w czasie użytkowania.
- Dzieci nie uświadamiają sobie zagrożeń, jakie może spowodować użycie urządzeń elektrycznych. Nigdy nie pozwalaj dzieciom posługiwać się elektrycznymi urządzeniami gospodarstwa domowego bez nadzoru.
- Gdy urządzenie nie jest używane oraz zawsze przed czyszczeniem, odłącz je od źródła zasilania, wyciągając wtyczkę z kontaktu.

- **Uwaga!** Jeżeli wtyczka kabla zasilającego jest podłączona do kontaktu, urządzenie cały czas pozostaje pod napięciem.
- Wyłącz urządzenie, zanim wyciągniesz wtyczkę z kontaktu.
- Nigdy nie przenoś urządzenia za kabel zasilający.
- Nie używaj akcesoriów innych niż dostarczone z urządzeniem.
- Urządzenie można podłączać wyłącznie do gniazda o napięciu i częstotliwości zgodnej z danymi znajdującymi się na tabliczce znamionowej.
- Unikaj przeciążenia.
- Po użyciu wyłącz urządzenie wyjmując wtyczkę z gniazda.
- Instalacja elektryczna musi odpowiadać krajowym i lokalnym przepisom.
- Z urządzenia nie mogą korzystać osoby (także dzieci), u których stwierdzono osłabione zdolności fizyczne, sensoryczne lub umysłowe, albo którym brakuje odpowiedniej wiedzy i doświadczenia, chyba że odbywa się to pod nadzorem lub zgodnie z instrukcjami osoby odpowiedzialnej za ich bezpieczeństwo.

## Szczególne przepisy bezpieczeństwa

- Bezprzewodowy nóż do kebaba wyposażony w ostrze tnące z napędem mechanicznym.
- Urządzenie przeznaczone jest wyłącznie do użytku komercyjnego polegającego na krojeniu grillowanego mięsa w profesjonalnych kuchniach.
- Korzystaj z urządzenia wyłącznie zgodnie z instrukcją.
- Urządzenie powinno być obsługiwane wyłącznie przez wykwalifikowany personel kuchenny w punktach gastronomicznych, np. świadczących usługi cateringowe, w restauracjach, barach, itp.
- Wszelkie czynności konserwacyjne oraz naprawa urządzenia powinny być przeprowadzane przez wykwalifikowanych, upoważnionych techników.
- Jeśli to konieczne, podczas obsługi urządzenia stosuj odzież ochronną, maskę lub okulary ochronne (niedotknięte do urządzenia).
- **OSTRZEŻENIE:** Zachowaj szczególną ostrożność podczas pracy z ostrzem tnącym.
- Korzystaj z urządzenia jedynie, gdy ostrze tnące zostało prawidłowo zamontowane wraz z osłoną ostrza i pokrętłem regulacyjnym.
- **NIE KORZYSTAJ** z urządzenia, jeśli osłona ostrza lub pokrętło regulacyjne są uszkodzone.
- **OSTRZEŻENIE:** Przed czyszczeniem, konserwacją lub odłożeniem na miejsce przechowywania **ZAWSZE** wyłącz i odłącz urządzenie od źródła zasilania.
- **OSTRZEŻENIE! ZAWSZE** pamiętaj, by nie nosić luźnej odzieży, nie dotykać ostrza tnącego rękoma, oraz by związać włosy.
- **OSTRZEŻENIE!** Podczas pracy **NIE** kieruj urządzenia w stronę innych osób.
- **Uwaga!** Odpowiednio poprowadź i zabezpiecz przewód zasilający, aby zapobiec przypadkowemu pociągnięciu urządzenia i wypadkom.
- Włączaj urządzenie tylko na czas krojenia, aby uniknąć przegrzania silnika. Maksymalny nieprzerwany czas pracy wynosi 15-20 minut. Po ostygnięciu urządzenie nadaje się ponownie do użycia.
- Przewód zasilający trzymaj z dala od źródeł ciepła, oleju, ostrych krawędzi oraz ruchomych części urządzeń.



- Regularnie sprawdzaj, czy ruchome części urządzenia działają prawidłowo i upewnij się, czy nie są zablokowane.
- Urządzenie powinno być obsługiwane w utrzymanym w czystości pomieszczeniu, zgodnie z wymaganiami higienicznym obowiązującymi w danym kraju.
- Nie myj urządzenia wodą ani za pomocą silnego strumienia. Mycie urządzenia wodą może spowodować przedostanie się jej do części elektrycznych i doprowadzić do porażenia prądem. Części urządzenia nie mogą być myte w zmywarce.
- Nie czyść ani nie umieszczaj urządzenia w miejscu przechowywania, zanim całkowicie nie ostygnie i ostrze tnące nie zatrzyma się.
-  Model 267240 jest urządzeniem II klasy ochronności.
- Model 267257 zasilany jest dołączonym akumulatorem.

### Przeznaczenie

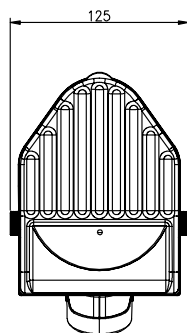
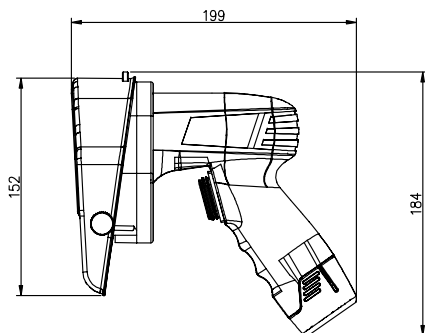
- Urządzenie przeznaczone jest do zastosowania profesjonalnego.
- Urządzenie przeznaczone jest wyłącznie do obcinania wszelkiego rodzaju mięsa z grilla w warunkach profesjonalnej gastronomii. Użycie urządzenia w jakimkolwiek innym celu może prowadzić do jego uszkodzenia lub do obrażeń ciała.
- Wykorzystanie urządzenia w jakimkolwiek innym celu uznane będzie za wykorzystanie niezgodne z przeznaczeniem. Użytkownik będzie wyłącznie odpowiedzialny za nieprawidłowe wykorzystanie urządzenia.

### Opis produktu

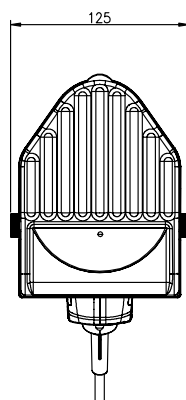
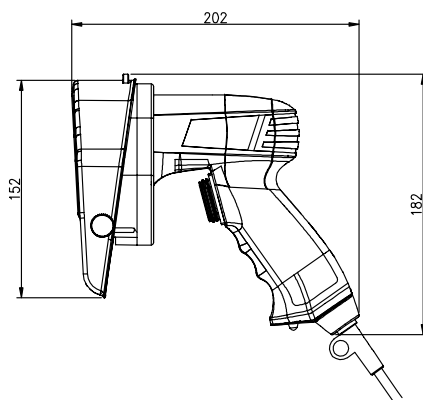


## Główne parametry techniczne

267257



267240



Jednostka: mm

Model	267257	267240
Napięcie	Akumulator 12 V DC	230V~/50Hz
Moc	80W	
Rozmiar ostrza	ø 100mm	
Grubość krojenia	0~8mm	
Wymiary	199x114x184mm	194x113x173mm
Poziom hałas	< 85 dB (A)	
Klasa ochronności	Klasa II	
Klasa wodoodporności	IPX4	

**Uwaga: Włączaj urządzenie tylko na czas krojenia, aby uniknąć przegrzania silnika.**

**Maksymalny nieprzerwany czas pracy wynosi 15-20 minut.**

**Po ostygnięciu urządzenie nadaje się ponownie do użycia.**

PL



## Wymiana okrągłego ostrza tnącego

### Ryzyko śmiertelnych obrażeń

W przypadku przypadkowego uruchomienia noża do kebaba

- Odtłącz urządzenie od źródła zasilania.

### Niebezpieczeństwo skałeczeń!

Ostrze jest bardzo ostre.

Nieodpowiednia obsługa może prowadzić do powstania głębokich ran ciętych.

- Ostrożnie wyjmij ostrze.



Zdejmij osłonę ostrza

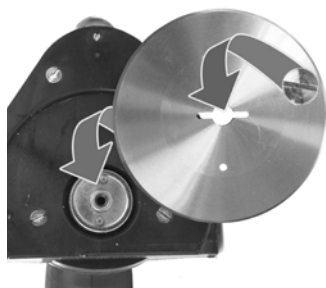


Wyjmij ostrze tnące

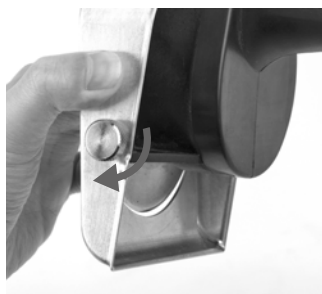
### ZACHOWAJ OSTROŻNOŚĆ! Nieprawidłowe działanie!

Niepoprawne zamontowanie ostrza skutkować będzie nieprawidłowym działaniem noża do kebaba.

- Zawsze montuj ostrze ostrą stroną skierowaną w stronę silnika.



Założ nowe ostrze, przykręć tarczę przytrzymującą i śrubę mocującą.



Przymocuj osłonę ostrza.

## Krojenie mięsa

Mięso grillowane jest stopniowo - od zewnątrz do wewnątrz. Podczas gdy wierzch mięsa jest upieczony, jego wnętrze jest jeszcze surowe.

Grubość cięcia noża wynosi od 0,5 mm do 8 mm.

- Aby ustawić grubość cięcia, obróć pokrętło regulacyjne w lewo (grubsze kawałki) lub prawo (cieńsze kawałki).

## UWAGA: Niebezpieczeństwo skaleczeń!

- Sprawdź, czy ostona ostrza została poprawnie zamocowana
- Ustaw w stabilnej pozycji

- Krój mięso zawsze od góry do dołu
- Odcinaj jedynie zgrillowane fragmenty
- Włącz nóż dopiero po przyłożeniu go do mięsa.



## Zabezpieczenie przed przegrzaniem (model 267240)

Pamiętaj, że przycisk RESET bezpiecznika termicznego umiejscowiony jest pod uchwytem.

- Najpierw odłącz urządzenie od źródła zasilania.
- Pozostaw urządzenie do ostygnięcia.

- Wciśnij przycisk RESET znajdujący się pod uchwytem.
- Podłącz ponownie urządzenie - jest ono gotowe do użycia.

## Higiena/czyszczenie

### Instrukcje dotyczące higieny

Ogólne instrukcje dotyczące higieny:

- Umyj ręce przed i po kontakcie z jedzeniem.
- Powstałe skaleczenia zakryj plastrem wodoodpornym.
- Nie dotykaj jedzenia gołymi rękoma.
- Każdego dnia czyść i dezynfekuj wszystkie urządzenia.

Obchodzenie się z jedzeniem:

- Podgrzej mięso do temp. min. 70 °C.
- Mięso powinno być przechowywane w temperaturze poniżej 5 °C lub zamrożone (w temperaturze poniżej -18 °C).
- Surowe i przygotowane jedzenie nie powinny stykać się z sobą.

### Czyszczenie

Uwaga! Przed rozpoczęciem czyszczenia i umieszczeniem urządzenia w miejscu przechowywania, zawsze odłącz urządzenie od źródła zasilania i odczekaj, aż ostygnie.

- Umyj urządzenie po każdym użyciu.
- Nigdy nie zanurzaj urządzenia w wodzie.

- Spryskaj całą powierzchnię środkiem rozpuszczającym tłuszcz i odrobiną środka dezynfekującego i pozostaw na co najmniej 5 minut.

- Sptucz środki do mycia z ostrza i ostony za pomocą wilgotnej ściereczki. Zamontuj suche części urządzenia.

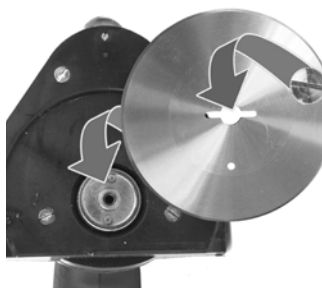
**OSTRZEŻENIE!** Zachowaj szczególną ostrożność podczas czyszczenia. Ostrze jest bardzo ostre. Nieodpowiednia obsługa może prowadzić do powstania głębokich ran ciętych.

- Ostrożnie wyjmij ostrze.
- Usuń z ostrza największe zabrudzenia, wyczyść ostonę ostrza za pomocą środków do czyszczenia, np. gąbki lub szczotki.

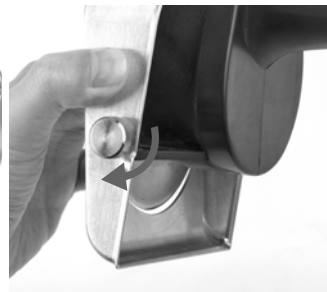




Wysusz obudowę urządzenia.



Założ nowe ostrze, przykręć tarczę przytrzymującą i śrubę mocującą.



Przymocuj osłonę ostrza.

Przed ostrzeniem umyj ostrze i obudowę urządzenia. Po ostrzeniu ponownie przeprowadź czyszczenie i dezynfekcję.

## Ostrzenie



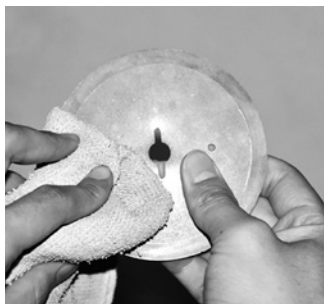
Ostrze okrągłe, gładkie ostrze tnące przez ok. 1-2 sekundy pod niewielkim kątem od płaszczyzny poziomej.



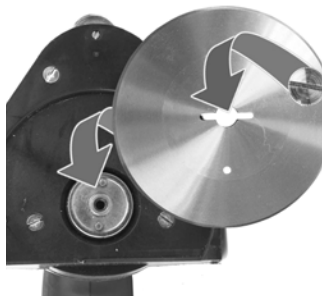
Wygładź ostrze od góry.



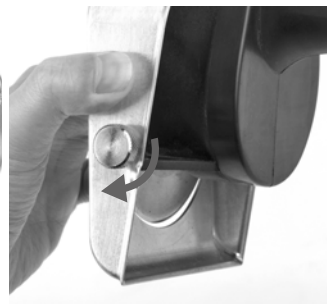
Wygładź dolną część ostrza od przodu.



Wyczyść ostrze.



Założ nowe ostrze, przykręć tarczę przytrzymującą i śrubę mocującą.



Przymocuj osłonę ostrza.



## Dotyczy modelu: 267257 - akumulator i ładowarka

Dane techniczne ładowarki

Moc wejściowa: 100-240 V~ / 50-60 Hz

Moc: 20 W

Moc wyjściowa: 12 V DC / 1,5 A

Pojemność: 2000 mAh

### Wskazówki bezpieczeństwa dotyczące akumulatora

- Akumulator przechowuj i ładuj w odpowiednio wentylowanym, suchym, chłodnym i czystym pomieszczeniu.
- Nie wystawiaj akumulatora na działanie wysokich temperatur, np. bezpośrednie działanie promieni słonecznych lub ognia. Nie umieszczaj akumulatora w pobliżu źródła ciepła.
- Unikaj przypadkowego uruchomienia urządzenia; przed włożeniem akumulatora upewnij się, czy przycisk on/off znajduje się w pozycji wyłączonej.
- Nie rozmontowuj akumulatora.
- Jeśli akumulator jest uszkodzony lub użytkowany niezgodnie z przeznaczeniem, może wydobywać się z niego specyficzny zapach. W przypadku, gdy specyficzny zapach wywołuje niepożądane reakcje, zapewnij dostęp do świeżego powietrza i skonsultuj się z lekarzem.
- Jeśli akumulator jest uszkodzony, może wydobywać się z niego płyn, który może przedostać się do przylegających części urządzenia. Sprawdź części urządzenia, które mogły ulec uszkodzeniu.
- Akumulatora używaj jedynie do noża do kebaba.
- Akumulator ładuj jedynie za pomocą dotychczasowej ładowarki. NIGDY nie używaj innych ładowarek do ładowania akumulatora.
- Nie zgniataj, nie upuszczaj ani nie uszkadzaj akumulatora w żaden inny sposób. Nie korzystaj z akumulatora ani ładowarki, jeśli została ona upuszczona lub mogła zostać uszkodzona w inny sposób. Uszkodzony akumulator może wybuchnąć. Bezwzględnie zutylizuj upuszczony lub uszkodzony akumulator.

### Wskazówki bezpieczeństwa dotyczące ładowarki

- Chroni ładowarkę przed deszczem i wilgocią.
- Nie korzystaj z ładowarki w celu ładowania innych akumulatorów.
- Nie korzystaj z ładowarki kładąc ją na powierzchniach łatwopalnych (np. papier, tkaniny itp.) lub w pobliżu materiałów łatwopalnych.
- Korzystaj z ładowarki w odpowiednio wentylowanym, suchym, chłodnym i czystym pomieszczeniu.
- Podłącz ładowarkę do gniazdka o napięciu podanym na ładowarce.
- Przed przeprowadzeniem czynności konserwacyjnych lub naprawczych odłącz ładowarkę z gniazdka w celu zmniejszenia ryzyka porażenia prądem.
- Kiedy ładowarka nie jest użytkowana, odłącz ją z gniazdka.
- Nie dotykaj niez izolowanej części złącza wyjściowego lub niez izolowanego bieguna terminala.

### Ładowanie akumulatora

- Korzystaj wyłącznie z dotychczasowej do urządzenia ładowarki. Do litowo-jonowego akumulatora noża pasuje wyłącznie oryginalna ładowarka.
- Akumulator urządzenia jest częściowo naładowany. Aby zapewnić pełną pojemność akumulatora, naładuj go do pełna przed pierwszym użyciem urządzenia.
- Akumulator nie może być wymieniany ani ładowany przez dzieci.
- Akumulator urządzenia można ładować bez ryzyka skrócenia jego okresu użytkowania. Przerwanie ładowania nie skutkuje uszkodzeniem akumulatora.
- Aby wyjąć akumulator, wciśnij przycisk zwolnienia i wyjmij akumulator. Nie wyciągaj akumulatora na siłę.
- Uwaga! Nieprawidłowo zamontowany akumulator może doprowadzić do wybuchu. Akumulator wymień na zapasowy akumulator dotychczasowy do urządzenia.

**UWAGA:** DNie wciskaj przycisku on/off, jeśli urządzenie wyłączyło się automatycznie. Akumulator łatwo ulega uszkodzeniu.



## Znaczenie sygnałów emitowanych przez diody LED na ładowarce

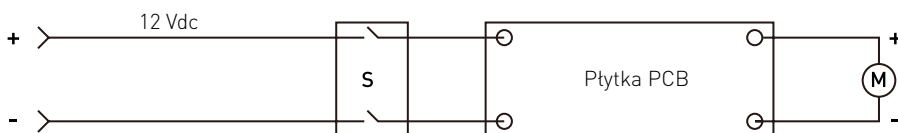
Dioda LED	Akumulator	Czerwona dioda LED	Zielona dioda LED	Działanie
Przygotowanie do ładowania 		Nie świeci się	Świeci się	Przygotowanie do ładowania
 Akumulator naładowany 	Akumulator ładuje się 	Świeci się	Nie świeci się	Akumulator ładuje się
 Akumulator pełen 	Akumulator w pełni naładowany 	Nie świeci się	Świeci się	Ładowanie zakończone. Ładowanie podtrzymujące.
 Akumulator nie może być ładowany. 	Akumulator nie może być ładowany. 	Świeci się / miga	Nie świeci się	Opóźnione ładowanie (przegrzanie) / uszkodzony akumulator

### Schemat elektryczny (model 267240)

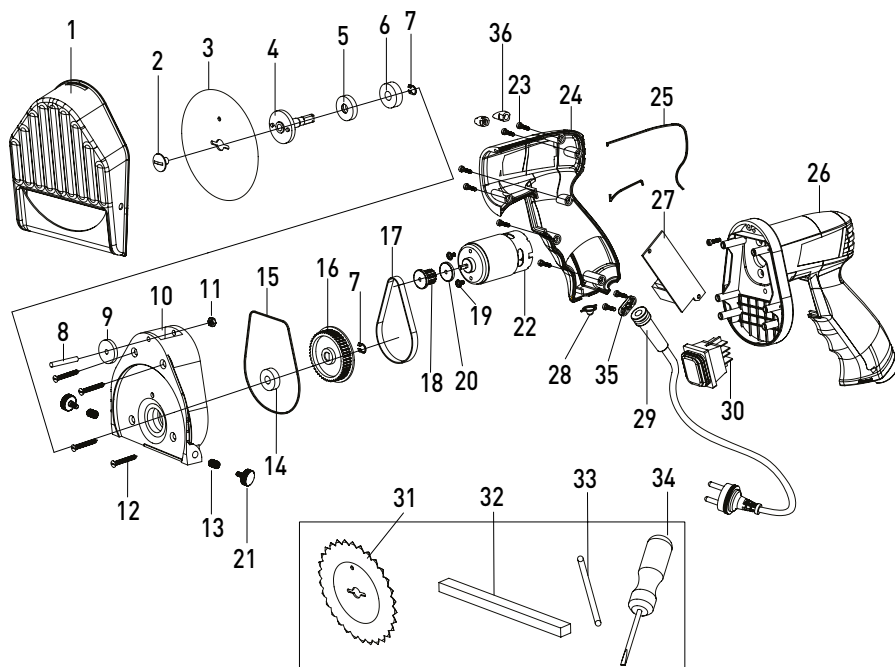


PL

### Schemat elektryczny (model 267257)



## Wykaz części dla modelu 267240

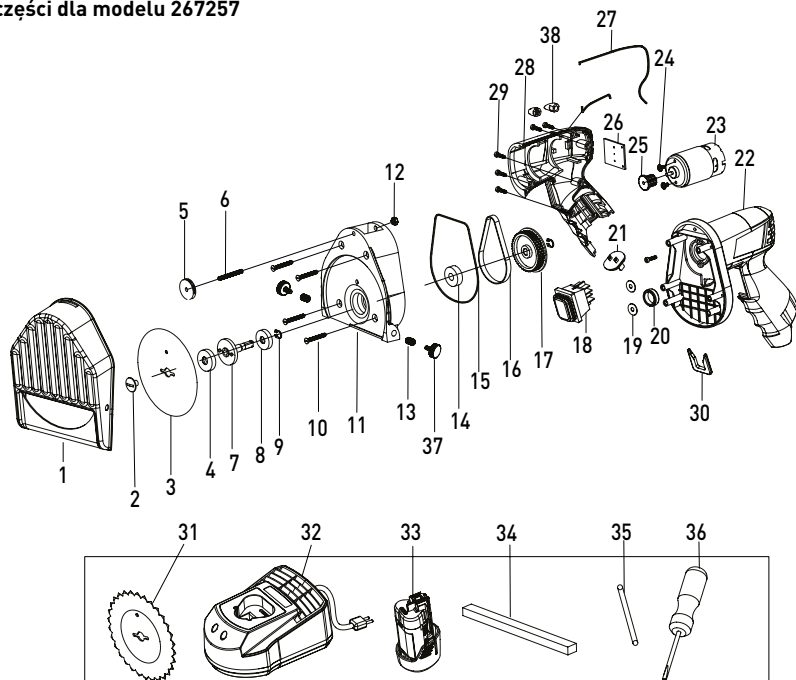


Nr części	Nazwa części	Ilość	Nr części	Nazwa części	Ilość
1	Ostona ostrza	1	19	Śruba	2
2	Śruba mocująca	1	20	Nakładka	2
3	Ostrze gładkie	1	21	Śruba blokująca	1
4	Tuleja wylotowa	1	22	Silnik	1
5	Uszczelka olejowa	1	23	Śruba	7
6	Łożysko	1	24	Obudowa lewa	1
7	Pierścień osadczy sprężynujący	2	25	Uszczelka	2
8	Trzpień	1	26	Obudowa prawa	1
9	Pokrętło regulacyjne	4	27	Płytkę PCB	1
10	Skrzynka przekładni	1	28	Zresetuj zaślepkę	1
11	Śruba	1	29	Przewód zasilający + Odgiętka	1
12	Śruba	4	30	Przetacznik	1
13	Gwint śruby	2	31	Ostrze z ząbkami	1
14	Łożysko	1	32	Ostrzatka	1
15	Pierścień uszczelniający	1	33	Zamocowany bolec	1
16	Koto pasowe	1	34	Śrubokręt	1
17	Pasek	1	35	Uchwyt kabla	1
18	Przekładnia silnika	1	36	Śrubokręt	8

PL



## Wykaz części dla modelu 267257



Nr części	Nazwa części	Ilość	Nr części	Nazwa części	Ilość
1	Ostona ostrza	1	20	Pierścień stały	1
2	Śruba mocująca	1	21	Przyłącze	1
3	Ostrze gładkie	1	22	Obudowa prawa	1
4	Uszczelka olejowa	1	23	Silnik	1
5	Pokrętło regulacyjne	1	24	Śruba	2
6	Trzpień	1	25	Przekładnia silnika	1
7	Tuleja wylotowa	1	26	Płytkę PCB	1
8	Łożysko	1	27	Uszczelka	1
9	Pierścień osadcy sprężynujący	2	28	Obudowa lewa	1
10	Śruba	4	29	Śruba	5
11	Skrzynka przekładni	1	30	Bolec obudowy	2
12	Śruba	1	31	Ostrze z ząbkami	1
13	Gwint śruby	2	32	Ładowarka	1
14	Łożysko	1	33	Akumulator litowo-jonowy	2
15	Pierścień uszczelniający	1	34	Ostrzałka	1
16	Pasek	1	35	Zamocowany bolec	1
17	Koło pasowe	1	36	Śrubokręt	1
18	Przetacznik	1	37	Śruba blokująca	2
19	Nakładka dystansowa	2	38	Śruba na tloczku	5

## Gwarancja

Każda wada bądź usterka powodująca niewłaściwe funkcjonowanie urządzenia, która ujawni się w ciągu jednego roku od daty zakupu, zostanie bezpłatnie usunięta lub urządzenie zostanie wymienione na nowe, o ile było użytkowane i konserwowane zgodnie z instrukcją obsługi i nie było wykorzystywane w niewłaściwy sposób lub niezgodnie z przeznaczeniem. Postanowienie to w żadnej mierze nie narusza innych praw użytkownika wynikających z przepisów prawa. W przypadku zgłoszenia urzą-

dzenia do naprawy lub wymiany w ramach gwarancji należy podać miejsce i datę zakupu urządzenia i dołączyć dowód zakupu (np. paragon).

Zgodnie z naszą polityką ciągłego doskonalenia wyrobów zastrzegamy sobie prawo do wprowadzania bez uprzedzenia zmian w wyrobie, opakowaniu oraz danych technicznych podawanych w dokumentacji.

## Wycofanie z użytkowania i ochrona środowiska

### Pamiętaj!

**Nie wyrzucaj zużytego sprzętu łącznie z innymi odpadami**

**Nie demontuj zużytych urządzeń zawierających niebezpieczne składniki na własną rękę!**

**Groź Ci za to kary grzywny!**

Po zakończeniu eksploatacji produktu nie wolno gromadzić razem z odpadami komunalnymi, tylko należy odstawić do punktu odbioru odpadów elektrycznych i elektronicznych. Użytkownik ponosi odpowiedzialność za przekazanie wycofanego z użytkowania urządzenia do punktu gospodarowania odpadami. Nieprzestrzeganie tej zasady może być karane zgodnie z lokalnie obowiązującymi przepisami dotyczącymi gospodarowania odpadami.

Jeśli urządzenie wycofane z użytkowania jest poprawnie odebrane jako osobny odpad, może zostać przetworzone i zutylizowane w sposób przyjazny dla środowiska, co zmniejsza negatywny wpływ na środowisko i zdrowie ludzi. Aby uzyskać więcej informacji dotyczących dostępnych usług w zakresie odbioru odpadów, należy skontaktować się z lokalną firmą odbierającą odpady.



**Symbol przekreślonego kosza na śmieci oznacza, że tego produktu nie wolno wyrzucać do zwykłych pojemników na odpady.**

Zużyte urządzenia elektryczne i elektroniczne mogą zawierać niebezpieczne składniki np. rtęć, ołów, kadm lub freon. Jeśli tego typu substancje przedostaną się w sposób niekontrolowany do środowiska, spowodują skażenie wody i gleby, a także wptyną niekorzystnie na zdrowie ludzi i zwierząt.

Właściwe postępowanie ze zużytym sprzętem zapobiega potencjalnym negatywnym konsekwencjom dla środowiska naturalnego i ludzkiego zdrowia.


Jednocześnie oszczędzamy naturalne zasoby naszej Ziemi wykorzystując powtórnie surowce uzyskane z przetwarzania sprzętu.



Cher client,

Merci d'avoir acheté cet appareil de **Hendi**. Veuillez lire attentivement ce mode d'emploi avant de brancher l'appareil afin d'éviter tout endommagement pour cause d'usage abusif. Veuillez notamment lire les consignes de sécurité avec la plus grande attention.

## Règles de sécurité

- L'utilisation abusive et le maniement incorrect de l'appareil peuvent entraîner une grave détérioration de l'appareil ou provoquer des blessures.
- L'appareil est destiné à un usage commercial.
- L'appareil doit être utilisé uniquement pour le but il a été conçu. Le fabricant décline toute responsabilité en cas de dommage consécutif à un usage abusif ou un maniement incorrect.
- Veillez à tenir l'appareil et la prise électrique hors de portée de l'eau ou de tout autre liquide. Si malencontreusement l'appareil tombe dans l'eau, débranchez immédiatement la prise électrique et faites contrôler l'appareil par un réparateur agréé. La non-observation de cette consigne entraîne un risque d'accident mortel.
- Ne tentez jamais de démonter vous-même le bâti de l'appareil.
- N'enfoncez aucun objet dans la carcasse de l'appareil.
- Ne touchez pas la prise avec les mains mouillées ou humides.
-  **Risque d'électrocution!** Ne tentez jamais de réparer l'appareil. Tous défauts et dysfonctionnement doivent être supprimés par le personnel qualifié.
- **N'utilisez jamais l'appareil endommagé!** Débranchez l'appareil endommagé de l'alimentation électrique et contactez votre revendeur.
- **Avertissement:** N'immergez pas les pièces électriques de l'appareil dans l'eau ou dans d'autres liquides. Ne mettez pas l'appareil sous l'eau courante.
- Vérifiez régulièrement la fiche et le câble d'alimentation pour les dommages. La fiche ou le câble d'alimentation endommagé(e) transmettent pour la réparation au service ou à une personne qualifiée, pour prévenir tous les menaces ou les blessures possibles.
- Assurez-vous que le câble d'alimentation n'est pas en contact avec les objets pointus ou chauds ; gardez le câble loin des flammes nues. Pour retirer la fiche de la prise murale, tirez toujours en tenant la fiche et non le câble d'alimentation.
- Protégez le câble d'alimentation (ou la rallonge) contre le débranchement accidentel de la prise murale. Le câble doit être posé de manière ne provoquant pas les chutes accidentelles.
- Surveillez en permanence l'appareil pendant l'utilisation.
- **Avertissement !** Si la fiche est insérée dans la prise murale, l'appareil doit être considéré comme branché à l'alimentation.
- Avant de retirer la fiche de la prise, éteignez l'appareil !
- Ne transportez jamais l'appareil en tenant le câble.
- N'utilisez aucuns accessoires qui n'ont pas été fournis avec l'appareil.
- L'appareil doit être branché à la prise murale avec une tension et la fréquence indiquées sur la plaque signalétique.

FR




- Insérez la fiche à la prise murale située dans un endroit facilement accessible de sorte qu'en cas de panne l'appareil puisse être immédiatement déconnecté. Pour éteindre complètement l'appareil, débranchez-le de la source d'alimentation. Pour cela, retirez la fiche à l'extrémité du câble d'alimentation de la prise murale.
- Eteignez l'appareil avant de débrancher l'appareil de la prise!
- N'utilisez jamais les accessoires non recommandés par le fabricant. L'utilisation des accessoires non recommandés peut présenter des risques pour l'utilisateur et provoquer les dommages à l'appareil. Utilisez uniquement des pièces et accessoires originaux.
- Cet appareil n'est pas apte à être utilisé par des personnes (enfants compris) avec capacités physiques, sensorielles ou intellectuelles diminuées ou ne possédant pas l'expérience et les connaissances suffisantes.
- Ne laissez jamais les enfants utiliser l'appareil.
- L'appareil et le câble d'alimentation doivent être stockés hors de la portée des enfants.
- Ne permettez pas aux enfants d'utiliser l'appareil pour jouer
- Débranchez toujours l'appareil de l'alimentation s'il doit être laissé sans surveillance et également avant le montage, le démontage et le nettoyage.
- Ne laissez jamais l'appareil sans surveillance lorsqu'il est utilisé.

---

## Normes de sécurité spéciales

- Le couteau de kebab sans fil est équipé d'une lame avec l'entraînement mécanique.
- L'appareil est destiné uniquement pour usage commercial, pour la coupe de la viande rôtie dans des cuisines professionnelles.
- N'utilisez l'appareil que conformément aux instructions.
- L'appareil doit être installé et utilisé uniquement par le personnel de cuisine qualifié dans des points de restaurations, par exemple ceux fournissant les services de restauration, dans des restaurants, des bars etc.
- Toutes les opérations de maintenance et les réparations doivent être effectuées par des techniciens qualifiés et autorisées.
- Si nécessaire, portez les vêtements de protection pendant l'utilisation de l'appareil, tels que le masque, les lunettes de protection (non inclus).
- **ATTENTION** : Soyez particulièrement prudent lorsque vous utilisez la lame.
- Utilisez l'appareil uniquement lorsque la protection de la lame ou le bouton de réglage ne sont pas endommagés.
- **N'UTILISEZ PAS** l'appareil si la protection de la lame ou le bouton de réglage sont endommagés.
- **ATTENTION** : Avant le nettoyage de l'appareil ou avant de ranger l'appareil, éteignez-le **TOUJOURS** de la source d'alimentation.
- **ATTENTION !** Ne portez pas les vêtements amples et ne touchez la lame avec vos mains nues ; attachez vos cheveux.
- **ATTENTION !** Pendant l'utilisation de l'appareil ne dirigez pas l'appareil vers d'autres personnes.



- **Attention !** Faites passer et protéger correctement le câble d'alimentation afin d'éviter une traction accidentelle de l'appareil et des accidents.
- N'allumez l'appareil que pendant la coupe pour éviter la surchauffe du moteur. Le temps de travail maximum continu est de 15 à 20 minutes. Après le refroidissement, l'appareil peut être réutilisé.
- Tenez le câble d'alimentation à l'écart de la chaleur, de l'huile et des arêtes vives ainsi que des pièces mobiles.
- Vérifiez régulièrement que les parties mobiles de l'appareil fonctionnent correctement et assurez-vous qu'elles ne sont pas bloquées.
- L'appareil doit être utilisé dans un local propre, conformément aux normes d'hygiène nationales.
- Ne lavez pas l'appareil avec de l'eau ou avec un jet d'eau puissant. Le lavage de l'appareil peut provoquer la pénétration de l'eau dans des composants électriques et provoquer un choc électrique. Les parties de l'appareil ne peuvent pas être lavées au lave-vaisselle.
- Ne nettoyez pas l'appareil et ne le placez pas dans le lieu de stockage avant son refroidissement complet et avant que la lame ne s'arrête pas.
-  Modèle 267240 est un appareil de la II classe de protection.
- Modèle 267257 est alimenté par la batterie fournie.

#### Destination de l'appareil

- L'appareil est destiné à un usage professionnel.
- L'appareil est conçu pour un usage professionnel et convient uniquement pour couper ou trancher toutes les types de viandes grillées. L'utilisation de l'appareil à d'autres fins peut entraîner des dommages ou des blessures.
- L'utilisation de l'appareil à d'autres fins sera considérée comme une utilisation inappropriée. L'utilisateur sera seul responsable de l'utilisation incorrecte de l'appareil.

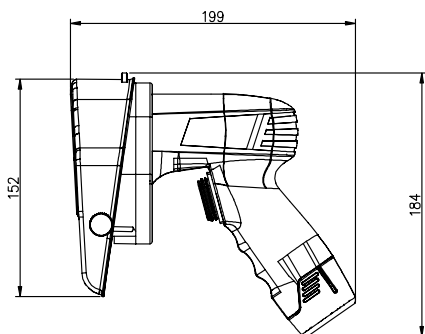
#### Description du produit



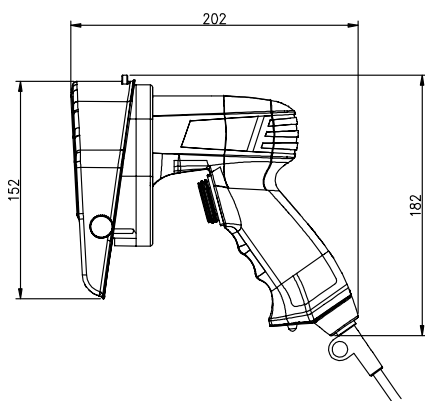


## Principaux paramètres techniques

267257



267240



Unité de mesure : mm

Modèle	267257	267240
Tension	Batterie 12 V DC	230V~/50Hz
Puissance	80W	
Taille de la lame	ø 100mm	
Épaisseur de coupe	0~8mm	
Dimensions	199x114x184mm	194x113x173mm
Niveau sonore	< 85 dB (A)	
Classe de protection	Classe II	
Classe de résistance à l'eau	IPX4	

**Remarque : N'allumez l'appareil que pendant le temps de coupe pour éviter la surchauffe du moteur.  
Le temps de travail maximum ininterrompu est de 15 à 20 minutes.  
Après le refroidissement, l'appareil peut être réutilisé.**

FR



## Remplacement de la lame de coupe

### Le risque de blessures mortelles

en cas de fonctionnement accidentel du couteau pour kebab

- Débranchez l'appareil de la source d'alimentation.

### Risque de blessures !

La lame est très pointue.

Une manipulation incorrecte peut provoquer des coupures profondes.

- Retirez soigneusement la lame.



Retirez la protection de la lame



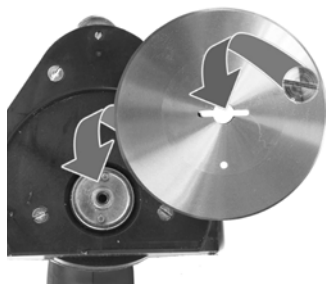
Retirez la lame

FR

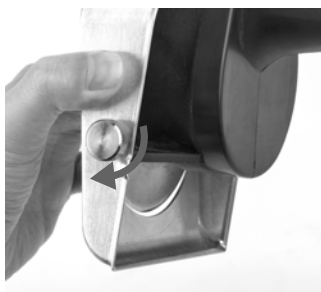
### SOYEZ PRUDENT ! Une opération incorrecte !

L'installation incorrecte de la lame peut entraîner un mauvais fonctionnement de la lame kebab.

- Installez toujours la lame en orientant le côté pointu vers le moteur.



Installez la nouvelle lame, serrez le disque de retenue et la vis de fixation.



Fixez la protection de la lame

## Coupe de la viande

La viande est rôtie progressivement, de l'extérieur vers l'intérieur. Alors que le dessus de la viande est déjà rôti, son intérieur est encore cru.

L'épaisseur de coupe est de 0,5 mm à 8 mm.

- Pour régler l'épaisseur de la coupe, tournez le bouton de réglage vers la gauche (les morceaux plus épais) ou vers la droite (les morceaux plus minces)

## ATTENTION : Risque de blessure !

- Vérifiez que la protection de la lame a été correctement installée
- Mettez dans une position stable

## Protection contre la surchauffe (modèle 267240)

N'oubliez pas que le bouton RESET du fusible thermique est situé sous la poignée.

- D'abord débranchez l'appareil de la source d'alimentation.

- Coupez toujours la viande du haut en bas
- Ne coupez que les morceaux rôtis
- Allumez le couteau lorsque vous le mettez sur la viande.



- Laissez l'appareil refroidir.
- Appuyez sur le bouton RESET situé sous la poignée.
- Branchez l'appareil – il est prêt à l'emploi.

## Hygiène/nettoyage

### Instruction sur l'hygiène

Instruction générale d'hygiène :

- Lavez-vous les mains avant et après le contact avec les aliments.
- Couvrez toutes blessures avec un pansement imperméable.
- Ne touchez pas les aliments avec vos mains nues.
- Nettoyez et désinfectez l'appareil chaque jour.

### Nettoyage

Attention ! Avant de nettoyer ou placer l'appareil dans un lieu de stockage, déconnectez-le toujours de la source d'alimentation et laissez-le refroidir.

- Lavez l'appareil après chaque utilisation.
- N'immergez jamais l'appareil dans l'eau

**ATTENTION !** Faites particulièrement attention lors du nettoyage. La lame est très pointue. Une manipulation incorrecte peut entraîner des coupures profondes.

- Retirez délicatement la lame.
- Enlevez de la lame les plus grandes saletés, nettoyez la protection de la lame en utilisant les produits de nettoyage tels qu'une éponge ou une brosse.

### Manipulation de nourriture :

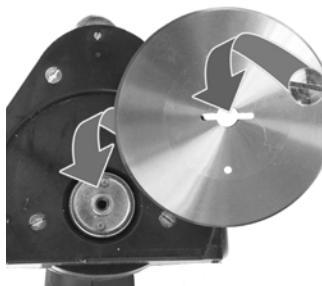
- Chauffez la viande à une température non inférieure à 70 °C.
- La viande doit être conservée à une température inférieure à 5 °C ou congelée (à une température inférieure à -18 °C).
- Les aliments crus et préparés ne doivent pas être en contact avec eux.

- Pulvérisez sur toute la surface du détergent dissolvant la graisse et un peu de désinfectant, laissez agir au moins 5 minutes
- Rincez les détergents de la lame et de sa protection en utilisant un chiffon humide. Montez les parties sèches de l'appareil.





Séchez la boîte de l'appareil.



Installez la nouvelle lame et serrez le disque de retenue et la vis de fixation.



Fixez la protection de la lame.

Avant d'aiguiser, lavez la lame et la boîte de l'appareil. Puis nettoyez et désinfectez l'appareil.

## Affûtage



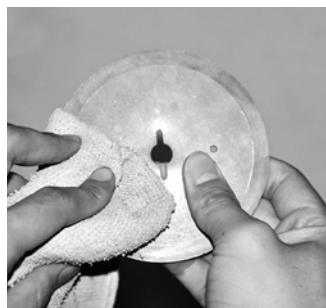
Faites affûter la lame ronde lisse pendant environ 1 à 2 secondes sous un angle légère par rapport au plan horizontal.



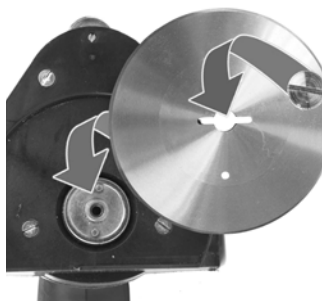
Lissez la lame du haut.



Lissez la partie inférieure de la lame par l'avant.



Nettoyez la lame



Installez la nouvelle lame et serrez le disque de retenue et la vis de fixation.



Fixez la protection de la lame.

## Modèle : 267257 – batterie et chargeur

Spécifications du chargeur

Puissance d'entrée : 100-240 V ~ / 50-60 Hz

Puissance : 20 W

Puissance de sortie : 12 V DC / 1,5 A

Capacité : 2000 mAh

### Consignes de sécurité concernant la batterie

- Rangez et chargez la batterie dans une pièce bien ventilée, sèche, fraîche et propre.
- N'exposez pas la batterie à des températures élevées, telles que la lumière directe du soleil ou le feu. Ne placez pas la batterie à proximité d'une source de chaleur.
- Évitez de démarrer l'appareil accidentellement avant d'insérer la batterie, assurez-vous que le bouton marche / arrêt est en position d'arrêt (off)
- Ne démontez pas la batterie.
- Si la batterie est endommagée ou mal utilisée de manière incompatible à l'usage, une odeur spécifique peut être émise. Si l'odeur spécifique provoque des réactions indésirables, assurez l'accès à l'air frais et consultez le médecin.

- Si la batterie est endommagée, du liquide peut fuir de l'intérieur qui peut pénétrer les parties adjacentes de l'appareil. Vérifiez les parties de l'appareil qui ont pu être endommagées.
- N'utilisez que la batterie destinée à la lame kebab.
- chargez la batterie uniquement avec le chargeur fourni. N'UTILISEZ JAMAIS d'autres chargeurs pour charger votre batterie.
- N'écrase pas, ne laissez pas tomber et n'endommagez pas la batterie d'une autre manière. N'utilisez pas la batterie ou le chargeur s'ils sont tombés ou s'ils ont pu être endommagés de toute autre manière. La batterie endommagée peut exploser. Jetez immédiatement la batterie qui est tombée ou qui est endommagée.

### Consignes de sécurité concernant le chargeur

- Protégez le chargeur de la pluie et de l'humidité.
- N'utilisez pas le chargeur pour charger d'autres batteries.
- N'utilisez pas le chargeur en le plaçant sur des surfaces inflammables (p.ex. papier, tissu, etc.) ou à proximité de matériaux inflammables.
- Utilisez le chargeur dans une pièce bien ventilée, sèche, fraîche et propre.
- Branchez le chargeur à une prise avec la tension spécifiée sur le chargeur.

- Avant d'effectuer des opérations d'entretien ou de réparation, débranchez le chargeur de la prise de courant pour réduire le risque de choc électrique.
- Lorsque le chargeur n'est pas utilisé, débranchez-le de la prise.
- Ne touchez pas la partie non isolée du connecteur ou un pôle non isolé du terminal.

### Chargement de la batterie

- Utilisez uniquement le chargeur fourni avec l'appareil. Le chargeur d'origine correspond à la batterie lithium-ion de la lame.
- La batterie de l'appareil est partiellement chargée. Pour garantir une entière capacité de la batterie, rechargez-la complètement avant d'utiliser l'appareil pour la première fois.
- La batterie ne peut pas être remplacée ou chargée par des enfants.
- La batterie de l'appareil peut être chargée sans risque de réduire sa durée de vie. L'interruption de la charge n'endommage pas la batterie.








- Pour retirer la batterie, appuyez sur le bouton de déverrouillage et retirez la batterie. Ne sortez pas la batterie en mettant de la force.
- Attention ! Une batterie installée incorrectement peut provoquer une explosion. Remplacez la batterie par la batterie de rechange fournie avec l'appareil.

**ATTENTION:** N'appuyez pas sur le bouton on / off si l'appareil s'est éteint automatiquement. La batterie peut être facilement endommagée.

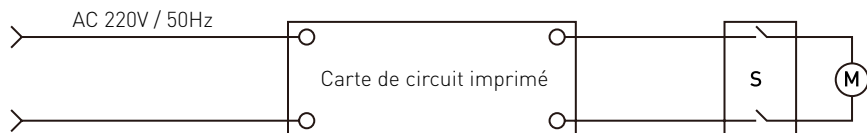
FR



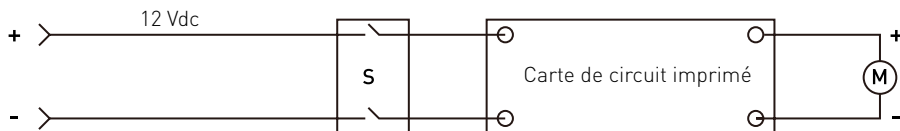
## Signification des signaux émis par les voyants LED sur le chargeur

Voyant LED	Batterie	Voyant LED rouge	Voyant LED vert	Action
Préparation à la charge 		N'est pas allumé	Est allumé	Préparation à la charge
 Batterie chargée 	Batterie est en charge	Est allumé	N'est pas allumé	Batterie est en charge
 Batterie est pleine 	Batterie est pleine	N'est pas allumé	Est allumé	Charge terminée. Charge de maintenance.
 Batterie ne peut pas être chargée. 	Batterie ne peut pas être chargée.	Est allumé / clignote	N'est pas allumé	Charge retardée (surchauffe) / batterie endommagée

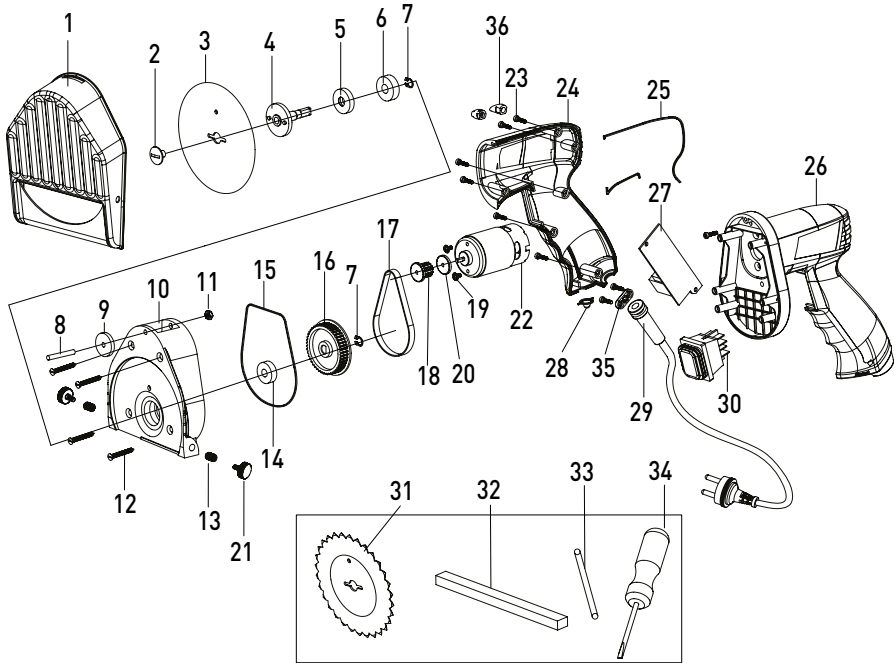
### Schéma électrique (modèle 267240)



### Schéma électrique (modèle 267257)



## Liste des pièces pour le modèle 267240

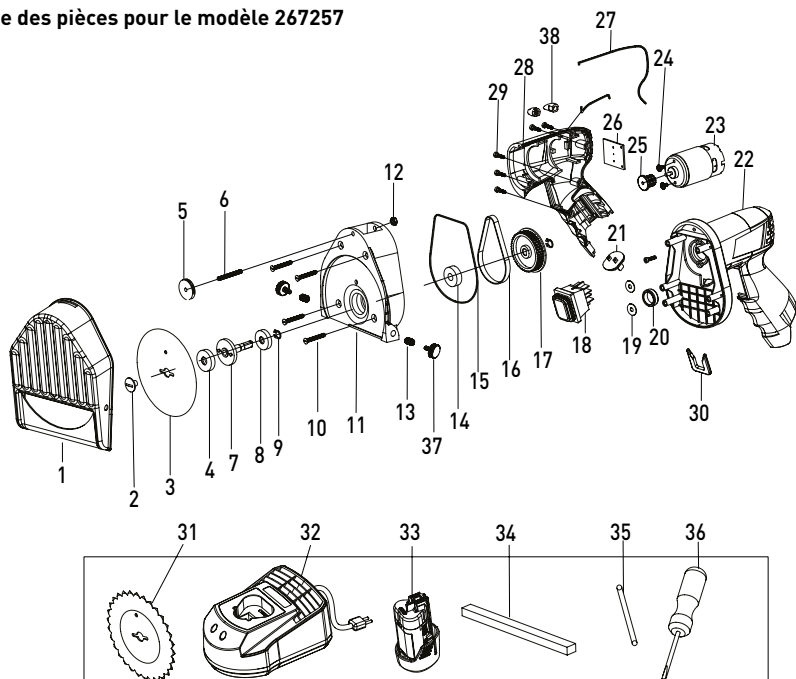


Pièce n°	Dénomination	Qté	Pièce n°	Dénomination	Qté
1	Protection de la lame	1	19	Vis	2
2	Vis de fixation	1	20	Disque	2
3	Lame lisse	1	21	Vis de verrouillage	1
4	Manchon de sortie	1	22	Moteur	1
5	Joint d'huile	1	23	Vis	7
6	Palier	1	24	Boîtier à gauche	1
7	Bague d'arrêt d'un ressort	2	25	Joint d'étanchéité	2
8	Goupille	1	26	Boîtier à droite	1
9	Bouton de réglage	4	27	Carte de circuit imprimé	1
10	Boîte de vitesses	1	28	Bouchon Réinitialisation	1
11	Vis	1	29	Cordon d'alimentation + soulagement de traction	1
12	Vis	4	30	Commutateur	1
13	Vis à filetage	2	31	Lame avec des dents	1
14	Palier	1	32	Affûteur	1
15	Bague d'étanchéité	1	33	Goupille de fixation	1
16	Poulie	1	34	Tournevis	1
17	Ceinture	1	35	Support de câble	1
18	Transmission du moteur	1	36	Poussoir à vis	8

FR



## Liste des pièces pour le modèle 267257



FR

Pièce n°	Dénomination	Qté	Pièce n°	Dénomination	Qté
1	Protection de la lame	1	20	Bague fixe	1
2	Vis de fixation	1	21	Connexion	1
3	Lame lisse	1	22	Boîtier à droite	1
4	Joint d'huile	1	23	Moteur	1
5	Bouton de réglage	1	24	Vis	2
6	Goupille	1	25	Transmission du moteur	1
7	Manchon de sortie	1	26	Carte de circuit imprimé	1
8	Palier	1	27	Joint d'étanchéité	1
9	Bague d'arrêt d'un ressort	2	28	Boîtier à gauche	1
10	Vis	4	29	Vis	5
11	Boîte de vitesses	1	30	Goujon de la boîte	2
12	Vis	1	31	Lame avec des dents	1
13	vis à filetage	2	32	Chargeur	1
14	Palier	1	33	Batterie au lithium-ion	2
15	Bague d'étanchéité	1	34	Affûteur	1
16	Ceinture	1	35	Goupille de fixation	1
17	Poulie	1	36	Tournevis	1
18	commutateur	1	37	Vis de verrouillage	2
19	Disque d'écartement	2	38	Poussoir à vis	5





---

## Garantie

Tout vice ou toute défaillance entraînant un dysfonctionnement de l'appareil qui se déclare dans les 12 mois suivant la date de l'achat sera éliminé à titre gratuit ou l'appareil sera remplacé par un appareil nouveau si le premier a été dûment exploité et entretenu conformément aux termes de la notice d'exploitation et s'il n'a pas été indûment exploité ou de manière non conforme à sa destination. La présente stipulation ne porte pas de préjudice aux autres droits de l'utilisateur prévus par les dispositions légales. Dans le cas où l'appareil est donné à la réparation ou doit être remplacé

dans le cadre de la garantie, il y a lieu de spécifier le lieu et la date de l'achat de l'appareil et produire un justificatif nécessaire (par ex. facture ou ticket de caisse).

Conformément à notre politique d'amélioration permanente de nos produits, nous nous réservons le droit d'introduire sans avertissement préalable des modifications à l'appareil, à l'emballage et aux caractéristiques techniques précisées dans la documentation.

---

## Élimination et protection de l'environnement

En cas de retrait du produit de l'exploitation l'appareil ne peut pas être jeté avec d'autres déchets ménagers. L'utilisateur est responsable de la remise de l'équipement au point de collecte approprié pour l'équipement usagé. Le non-respect des dispositions ci-dessus peut entraîner les pénalités conformément à la réglementation applicable en matière d'élimination des déchets. La collecte sélective et le recyclage des équipements usagés contribuent à la


conservation des ressources naturelles et assurent un recyclage sans danger pour la santé et l'environnement. Pour plus d'informations sur les endroits de collecte des équipements usagés pour le recyclage, contactez la société de collecte des déchets locale. Le producteur et l'importateur ne sont pas responsables du recyclage et du traitement des déchets d'une manière respectueuse de l'environnement directement et dans le système public.



Gentile cliente,

grazie per aver acquistato questo apparecchio Hendi. Ti invitiamo a leggere queste istruzioni per l'uso con attenzione prima di collegare l'apparecchio al fine di evitare danni dovuti a uso improprio. Ti invitiamo inoltre a prestare particolare attenzione alle precauzioni di sicurezza.

## Precauzioni di sicurezza

- L'uso scorretto e improprio dell'apparecchio possono danneggiare seriamente l'apparecchio e ferire gli utenti.
- Questo apparecchio è destinato all'uso commerciale.
- L'apparecchio può essere utilizzato solo per lo scopo per cui è stato concepito e progettato. Il produttore non è responsabile di eventuali danni provocati da uso scorretto ed improprio.
- Tenere l'apparecchio e la spina elettrica lontani da acqua ed altri liquidi. Nel caso improbabile che l'apparecchio cada in acqua, staccare immediatamente la spina dalla presa e fare ispezionare l'apparecchio da un tecnico certificato. L'inosservanza delle presenti istruzioni può dare luogo a situazioni pericolose
- Non provare mai ad aprire l'involucro dell'apparecchio da soli.
- Non inserire oggetti nell'involucro dell'apparecchio.
- Non toccare la presa con le mani bagnate o umide.
-  **Pericoli di scosse elettriche!** Non tentare di riparare l'apparecchio da solo. Eventuali difetti e malfunzionamenti devono essere rimossi soli da personale qualificato.
- **Non usare l'apparecchio danneggiato!** L'apparecchio difettoso deve essere immediatamente scollegato dalla rete e contattare il rivenditore.
- **Attenzione:** Non immergere parti elettriche in acqua o altri liquidi. Non mettere l'apparecchio sotto l'acqua corrente.
- Controllare regolarmente se la spina e il cavo di alimentazione non sono danneggiati. La spina o il cavo danneggiati trasmettere al servizio o alla persona qualificare per riparare, per evitare eventuali pericoli e lesioni.
- Assicurarsi che il cavo di alimentazione non è in contatto con oggetti appuntiti o caldi. Tenere il cavo lontano da fiamme libere. Per scollegare la spina dalla presa, tirare sempre la spina, mai il cavo.
- Proteggere il cavo di alimentazione (o di estensione) per la sconnessione accidentale dalla presa. Disporre il cavo in modo per evitare lo slittamento accidentale.
- Sorvegliare l'apparecchio continuamente durante l'uso.
- **Attenzione!** Se la spina è inserita nella presa, l'apparecchio è considerato come collegato.
- Prima di rimuovere la spina dalla presa, spegnere l'apparecchio!
- Non trasportare l'apparecchio tenendo il cavo di alimentazione.
- Non utilizzare qualsiasi accessorio che non è stato fornito con l'apparecchio.
- L'apparecchio deve essere collegato ad una presa con tensione e frequenza indicate sulla targhetta.

IT




- Inserire la spina nella presa situata in un punto facilmente accessibile in modo che in caso di guasto sia possibile scollegare immediatamente l'apparecchio. Per spegnere completamente l'apparecchio, scollegarlo dalla presa di corrente. Per questo staccare la spina che si trova sull'estremità del cavo di alimentazione.
- Prima di scollegare la spina, ricordarsi sempre di spegnere l'apparecchio!
- Non usare gli accessori non raccomandati dal produttore. L'uso di accessori non raccomandati può creare i rischi per l'utente e provocare i danni all'apparecchio. Usare unicamente solo pezzi ed accessori originali.
- L'installazione elettrica deve soddisfare le normative nazionali e locali applicabili. Questo apparecchio non è destinato all'uso da parte di persone (inclusi i bambini) con capacità fisiche, sensoriali o mentali ridotte, o senza esperienza e conoscenza.
- Non permettere ai bambini di utilizzare l'apparecchio.
- Tenere l'apparecchio con il cavo fuori dalla portata dei bambini.
- Non permettere ai bambini di giocare con l'apparecchio.
- Scollegare l'apparecchio dalla rete se esso deve essere lasciato incustodito e prima del montaggio, dello smontaggio o della pulizia.
- Non lasciare l'apparecchio incustodito durante l'utilizzazione.

---

## Norme di sicurezza speciali

- Coltello per kebab senza filo dotato di una lama meccanica.
- L'apparecchio è destinato esclusivamente all'uso commerciale consistente nel taglio di carne grigliata in cucine professionali.
- Utilizzare l'apparecchio solo in conformità con le presenti istruzioni.
- L'apparecchio deve essere montato e utilizzato solo da personale qualificato di cucina in strutture di ristorazione per esempio quei che forniscono i servizi di catering ristoranti o bar ecc.
- Tutte le operazioni di manutenzione e riparazione dell'apparecchio devono essere eseguite da tecnici qualificati e autorizzati.
- Se necessario, durante l'uso dell'apparecchio indossare indumenti protettivi, una maschera o occhiali di sicurezza (non inclusi).
- **AVVERTENZA:** Prestare particolare attenzione quando si lavora con la lama.
- Utilizzare l'apparecchio unicamente se la lama è stata montata correttamente con la protezione della lama e la manopola di regolazione.
- **NON UTILIZZARE** l'apparecchio se la protezione della lama o la manopola di regolazione sono danneggiate.
- **AVVERTENZA:** spegnere **SEMPRE** e scollegare l'apparecchio dalla fonte di alimentazione prima di eseguire le operazioni di pulizia, manutenzione o conservazione.
- **AVVERTENZA!** Ricordare **SEMPRE** di non indossare abiti larghi, non toccare la lama con le mani nude e legare i capelli.
- **AVVERTENZA!** Durante la manipolazione, **NON** puntare l'apparecchio verso gli altri.
- **Attenzione!** Guidare e fissare correttamente il cavo di alimentazione per evitare che l'apparecchio sia tirato accidentalmente e per evitare di causare incidenti.



- Accendere l'apparecchio solo per il tempo di taglio per evitare il surriscaldamento del motore. Il tempo di lavoro continuo massimo è di 15-20 minuti. Dopo il raffreddamento, l'apparecchio può essere riutilizzato.
- Tenere il cavo di alimentazione lontano da fonti di calore, olio, bordi taglienti e parti mobili.
- Controllare regolarmente che le parti mobili dell'apparecchio funzionino correttamente e assicurarsi che non siano bloccate.
- L'apparecchio deve essere utilizzato in una stanza pulita in conformità con i requisiti di igiene nazionali.
- Non lavare l'apparecchio con acqua o un getto forte. Lavare l'apparecchio con acqua può causare la penetrazione dell'acqua nelle parti elettriche e provocare scosse elettriche. Le parti dell'apparecchio non possono essere lavate in lavastoviglie.
- Non pulire o posizionare l'apparecchio nell'area di stoccaggio finché non si è completamente raffreddato e la lama non si ferma.
-  Modello 267240 è un apparecchio di protezione di seconda classe.
- Modello 267257 è alimentato da una batteria fornita.

### Destinazione del dispositivo

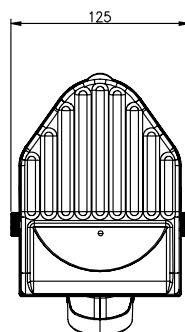
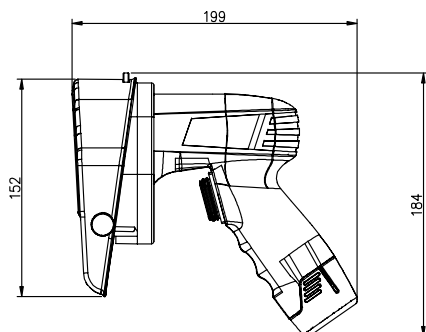
- Il dispositivo è destinato all'uso professionale.
- Il dispositivo è destinato esclusivamente al taglio di tutti i tipi di carne alla griglia in condizioni gastronomiche professionali. L'utilisation de l'appareil à d'autres fins peut entraîner des dommages ou des blessures.
- L'uso del dispositivo per qualsiasi altro scopo sarà considerato un uso improprio. L'utente sarà l'unico responsabile per l'uso scorretto del dispositivo.

### Descrizione del prodotto

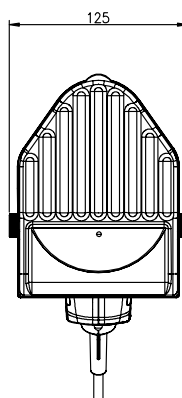
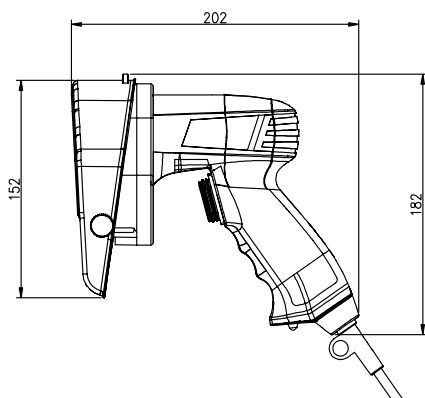


## Parametri tecnici principali

267257



267240



Unità di misura:  
ra: mm

Modello	267257	267240
Tensione	Batteria 12 V DC	230V~/50Hz
Potenza	80W	
Dimensioni della lama	ø 100mm	
Spessore di taglio	0-8mm	
Dimensioni	199x114x184mm	194x113x173mm
Livello di rumore	< 85 dB (A)	
Classe di protezione	II Classe	
Classe di protezione impermeabile	IPX4	

**Nota:** accendere l'apparecchio solo per il tempo di taglio per evitare qualsiasi surriscaldamento del motore.  
Il tempo di lavoro continuo massimo è di 15-20 minuti.  
Dopo il raffreddamento, l'apparecchio può essere riutilizzato.



## Sostituzione della lama circolare

### Il rischio di lesioni mortali

In caso di funzionamento accidentale del coltello per kebab

- Scollegare l'apparecchio dalla fonte di alimentazione.

### Pericolo di lesioni!

La lama è molto affilata.

Una manipolazione inappropriata può portare a tagli profondi.

- Rimuovere con cautela la lama.



Rimuovere la protezione della lama

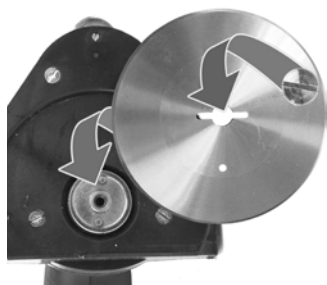


Rimuovere la lama

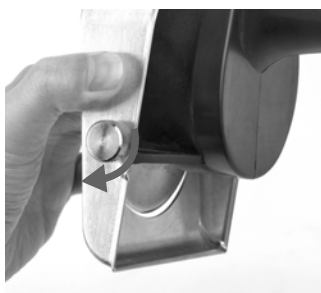
### IT **FARE ATTENZIONE! Funzionamento scorretto!**

Il montaggio errato della lama provocherà un malfunzionamento del coltello per kebab.

- Montare sempre la lama rivolgendo il lato affilato verso il motore.



Inserire una nuova lama, stringere il disco di fissaggio e la vite di montaggio.



Fissare la protezione della lama.

## Taglio della carne

La carne viene grigliata gradualmente - dall'esterno verso l'interno. Quando la parte superiore della carne è già cotta, il suo interno è ancora crudo.

Lo spessore da taglio è da 0,5 mm a 8 mm.

- Per regolare lo spessore, ruotare la manopola verso sinistra (pezzi più grandi) o destro (pezzi sottili).

### AVVERTENZA: pericolo di tagli!

- Controllare che la protezione della lama sia stata installata correttamente
- Mettere in una posizione stabile

- Tagliare la carne sempre dall'alto verso il basso
- Tagliare solo i frammenti grigliati
- Accendere il cottello quando lo metti sulla carne.



### Protezione contro il surriscaldamento (Modello 267240)

Ricordare che il pulsante RESET del fusibile termico si trova sotto la maniglia.

- Prima scollegare l'apparecchio dalla fonte di alimentazione.

- Lasciare raffreddare l'apparecchio.
- Premere il pulsante RESET sotto la maniglia.
- Ricollegare l'apparecchio: esso è pronto per l'uso.

## Igiene / pulizia

### Istruzioni di igiene

Istruzioni di igiene generale:

- Lavarsi le mani prima e dopo il contatto con il cibo.
- Coprire i tagli risultanti con un cerotto impermeabile.
- Non toccare il cibo con le mani nude.
- Pulire e disinfettare l'apparecchio ogni giorno.

### Manipolazione del cibo:

- Riscaldare la carne ad una temperatura minima di 70 °C.
- La carne deve essere conservata a una temperatura inferiore a 5 °C o congelata (a una temperatura inferiore a -18 °C).
- Il cibo crudo e preparato non devono toccarsi l'un l'altro.

### Pulizia

Attenzione! Prima di pulire e posizionare l'apparecchio nell'area di stoccaggio, scollegare sempre l'apparecchio dalla fonte di alimentazione e lasciarlo raffreddare.

- Lavare l'apparecchio dopo ogni utilizzo.
- Non immergere mai l'apparecchio in acqua.

**AVVERTENZA!** Prestare particolare attenzione durante la pulizia. La lama è molto affilata. Una manipolazione inappropriata può portare a tagli profondi.

- Rimuovere con cautela la lama.
- Eliminare la sporcizia più grande dalla lama, pulire la protezione della lama con detergenti, come una spugna o una spazzola.
- Spruzzare l'intera superficie con un dissolvente di grasso e un po' di disinfettante e lasciare agire

per almeno 5 minuti.

- Risciacquare i detergenti dalla lama e asciugare con un panno umido. Installare le parti asciutte dell'apparecchio.

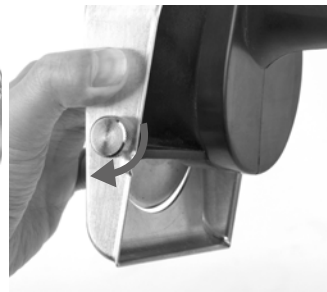




Asciugare la copertura dell'apparecchio.



Inserire una nuova lama, stringere il disco di fissaggio e la vite di montaggio.



Fissare la protezione della lama.

Prima di affilare, lavare la lama e la copertura dell'apparecchio. Dopo la pulizia, pulire e disinfettare nuovamente.

## Affilatura



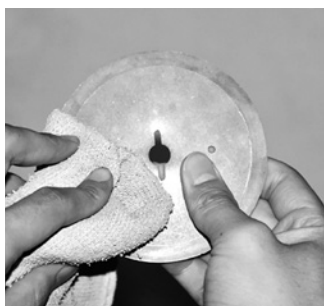
Affilare la lama circolare liscia per circa 1-2 secondi sotto una leggera angolazione, rispetto al piano orizzontale.



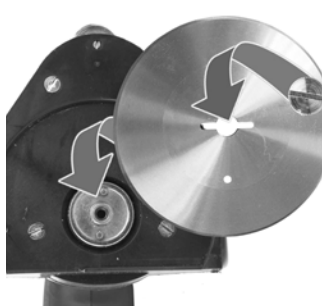
Lisciare la lama dalla parte superiore.



Lisciare la parte inferiore della lama dalla parte anteriore.



Pulire la lama.



Inserire una nuova lama, stringere il disco di fissaggio e la vite di montaggio.



Fissare la protezione della lama.



## Riguarda il modello: 267257 – batteria e caricabatterie

Specifiche del caricabatterie

Potenza in ingresso: 100-240 V ~ / 50-60 Hz

Potenza: 20 W

Potenza in uscita: 12 V DC / 1,5 A

Capacità: 2000 mAh

### Istruzioni di sicurezza per la batteria

- Conservare e caricare la batteria in un luogo adeguatamente ventilato, asciutto, fresco e pulito.
- Non esporre la batteria a temperature elevate, come luce solare diretta o fuoco. Non posizionare la batteria vicino a una fonte di calore.
- Evitare l'accensione accidentale dell'apparecchio; prima di inserire la batteria, assicurarsi che il pulsante on / off sia in posizione off.
- Non smontare la batteria.
- Se la batteria è danneggiata o utilizzata in modo errato, essa può emettere un odore specifico. Nel caso in cui l'odore specifico provoca reazioni indesiderate, assicurare l'accesso all'aria aperta e consultare un medico.
- Se la batteria è danneggiata, il liquido potrebbe fuoriuscire e penetrare nelle parti adiacenti dell'apparecchio. Controllare le parti dell'apparecchio che potrebbero essere state danneggiate.
- Utilizzare la batteria solo con il coltello per kebab.
- Caricare la batteria solo con il caricabatterie fornita. Non utilizzare MAI altri caricabatterie per caricare la batteria dell'apparecchio.
- Non schiacciare, far cadere o danneggiare la batteria in nessun altro modo. Non utilizzare la batteria o il caricabatterie se sono già caduti o se sono danneggiati in altro modo. Una batteria danneggiata potrebbe esplodere. Smaltire immediatamente una batteria caduta o danneggiata.

### Istruzioni di sicurezza per il caricabatterie

- Proteggere il caricatore contro la pioggia e l'umidità.
- Non utilizzare il caricabatterie per caricare altre batterie.
- Non utilizzare il caricabatterie su superfici infiammabili (per es. carta, panno, ecc.) o vicino a materiali infiammabili.
- Utilizzare il caricabatterie in un luogo adeguatamente ventilato, asciutto, fresco e pulito
- Collegare il caricabatterie ad una presa con la tensione specificata sul caricabatterie.
- Prima di eseguire interventi di manutenzione o riparazione, scollegare il caricabatterie dalla presa per diminuire il rischio di scosse elettriche.
- Quando il caricatore non è in uso, scollegarlo dalla presa.
- Non toccare la parte non isolata del connettore di uscita o un polo non isolato del terminale.






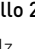


### Ricarica della batteria

- Utilizzare solo il caricabatterie fornito con l'apparecchio. Solo il caricabatterie originale è adatto alla batteria agli ioni di litio della lama.
- La batteria dell'apparecchio è parzialmente carica. Per garantire la piena capacità della batteria, ricaricarla completamente prima di utilizzare l'apparecchio per la prima volta.
- La batteria non può essere sostituita o ricaricata dai bambini.
- La batteria dell'apparecchio può essere caricata senza il rischio di ridurre la sua durata. Il fatto di interrompere la ricarica non danneggia la batteria.
- Per rimuovere la batteria, premere il pulsante di rilascio e rimuoverla. Non tirare la batteria con forza.
- Attenzione! La batteria installata in modo sbagliato può causare un'esplosione. Sostituire la batteria con la batteria di riserva in dotazione con l'apparecchio.

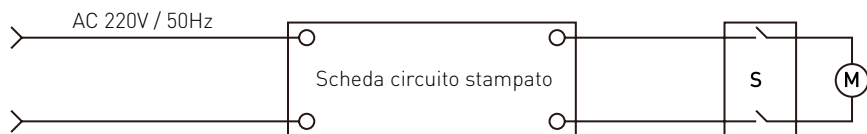
**NOTA:** Non premere il pulsante on/off, se l'apparecchio si è spento automaticamente. La batteria può essere facilmente danneggiata.



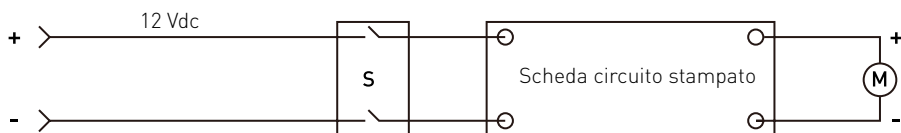
## Significato dei segnali emessi dai LED sul caricabatterie

LED	Batteria	LED rosso	LED verde	Azione
Preparazione per la ricarica 		Non si illumina	Si illumina	Preparazione per la ricarica
Batteria caricata 	Batteria è in carica 	Si illumina	Non si illumina	Batteria è in carica
Batteria piena 	Batteria piena 	Non si illumina	Si illumina	Ricarica completata. Carica di manutenzione.
Batteria non può essere caricata. 	Batteria non può essere caricata. 	Si illumina / lampeggia	Non si illumina	Carica ritardata (surrisaldamento) / batteria danneggiata

### Schema elettrico (Modello 267240)



### Schema elettrico (Modello 267257)



## Garanzia

Qualsiasi difetto che influenza la funzionalità del dispositivo che compaia entro un anno dall'acquisto sarà corretto a titolo interamente gratuito o con la sostituzione del prodotto che è stato utilizzato e sottoposto a manutenzione corretta seguendo le istruzioni, senza alcuna violazione. I diritti legali del cliente non sono assolutamente modificati. Nel caso in cui l'intervento di manutenzione o sostitu-

zione sia previsto nel periodo di validità della garanzia, precisare dove e quando si è acquistato il prodotto, possibilmente allegando lo scontrino.

In linea con la nostra politica di sviluppo continuo dei prodotti, ci riserviamo il diritto di modificare il prodotto, l'imballo e le specifiche di documentazione, senza notifica alcuna.

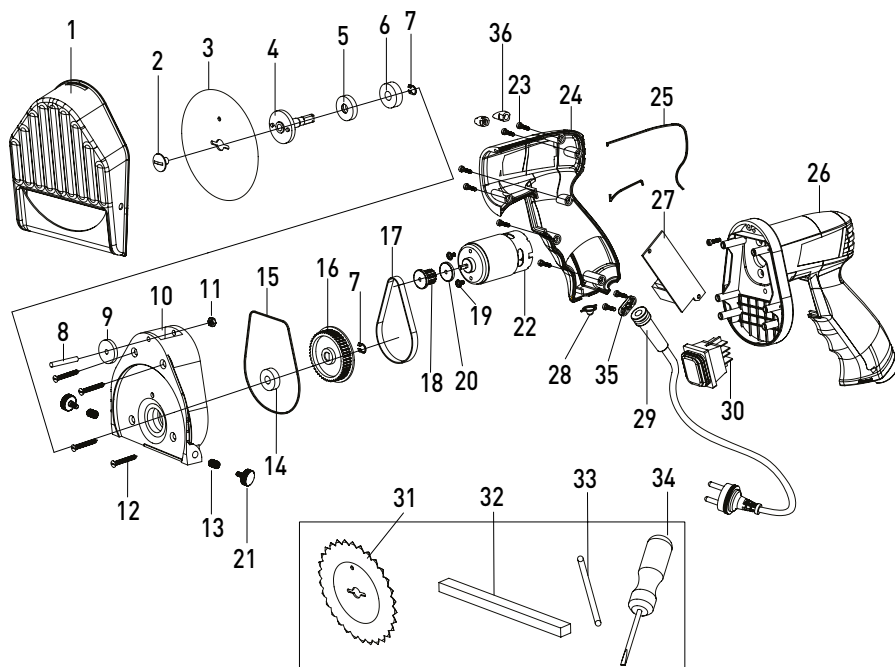
## Smaltimento e protezione dell'ambiente

In caso di ritiro dell'apparecchiatura dal funzionamento il prodotto non può essere smaltito con altri rifiuti domestici. L'utente è responsabile della consegna dell'attrezzatura al punto di raccolta appropriato per l'attrezzatura usata. Il mancato rispetto delle disposizioni sopramenzionate può comportare l'imposizione di sanzioni in conformità con le normative vigenti in materia di smaltimento dei rifiuti. La raccolta e il riciclaggio selettivi di attrezzature usate contribuiscono alla conserva-

zione delle risorse naturali e garantiscono il riciclaggio in modo tale da non nuocere alla salute e all'ambiente. Per ulteriori informazioni sui luoghi di smaltimento delle apparecchiature usate per il riciclaggio, contattare la società locale di raccolta dei rifiuti. Il produttore e l'importatore non sono responsabili per il riciclaggio e il trattamento dei rifiuti in modo ecologico, sia direttamente che nel quadro del sistema pubblico.



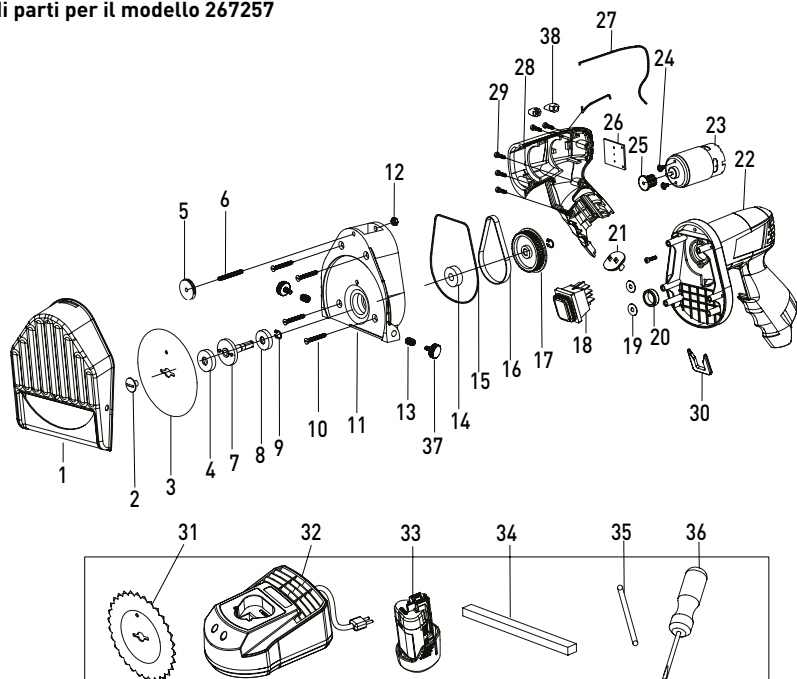
## Elenco di parti per il modello 267240



Pezzo n.	Denominazione	Q. tà	Pezzo n.	Denominazione	Q. tà
1	Protezione della lama	1	19	Vite	2
2	Vite di montaggio	1	20	Coprigiunto	2
3	Lama liscia	1	21	Vite di bloccaggio	1
4	Manicotto di uscita	1	22	Motore	1
5	Guarnizione di tenuta ad olio	1	23	Vite	7
6	Cuscinetto	1	24	Copertura sinistra	1
7	Anello di sicurezza elastico	2	25	Guarnizione	2
8	Alberino	1	26	Copertura destra	1
9	Manopola di regolazione	4	27	Scheda circuito stampato	1
10	Cassa ingranaggi	1	28	Cappuccio di ripristino	1
11	Vite	1	29	Cavo di alimentazione + Scarico della trazione	1
12	Vite	4	30	Interruttore	1
13	Vite filettata	2	31	Lama dentata	1
14	Cuscinetto	1	32	Affilatrice	1
15	Anello di tenuta	1	33	Perno fisso	1
16	Puleggia	1	34	Cacciavite	1
17	Cintura	1	35	Cacciavite	1
18	Trasmissione del motore	1	36	Stantuffo a vite	8



## Elenco di parti per il modello 267257




Pezzo n.	Denominazione	Q. tà	Pezzo n.	Denominazione	Q. tà
1	Protezione della lama	1	20	Anello fisso	1
2	Vite di montaggio	1	21	Connettore	1
3	Lama liscia	1	22	Copertura sinistra	1
4	Guarnizione di tenuta ad olio	1	23	Motore	1
5	Manopola di regolazione	1	24	Vite	2
6	Alberino	1	25	Trasmissione del motore	1
7	Manicotto di uscita	1	26	Scheda circuito stampato	1
8	Cuscinetto	1	27	Guarnizione	1
9	Anello di sicurezza elastico	2	28	Copertura destra	1
10	Vite	4	29	Vite	5
11	Cassa ingranaggi	1	30	Perno di copertura	2
12	Vite	1	31	Lama dentata	1
13	Vite filettata	2	32	Caricabatterie	1
14	Cuscinetto	1	33	Batteria agli ioni di litio	2
15	Anello di tenuta	1	34	Affilatrice	1
16	Cintura	1	35	Perno fisso	1
17	Puleggia	1	36	Cacciavite	1
18	Interruttore	1	37	Vite di bloccaggio	2
19	Coprigiunto distanziale	2	38	Stantuffo a vite	5

Stimate client,

Vă mulțumim pentru achiziționarea acestui aparat HENDI. Vă rugăm să citiți cu atenția acest manual înainte de a conecta aparatul pentru evitarea defectării ca urmare a utilizării incorecte. Acordați o atenție deosebită regulilor de siguranță.

## Reguli de siguranță

- Operarea incorectă și utilizarea necorespunzătoare a aparatului poate cauza avaria grav aparatul și poate cauza răni oamenilor.
- Acest aparat este destinat uzului comercial.
- Aparatul poate fi folosit doar în scopul pentru care a fost proiectat. Producătorul nu este răspunzător pentru orice avariere cauzată operării incorecte și a utilizării necorespunzătoare.
- Asigurați-vă că aparatul și ștecherul nu intră în contact cu apă sau alte lichide. În cazul în care aparatul este scăpat în apă, scoateți imediat ștecherul din priză și un tehnician autorizat trebuie să-l verifice. Dacă nu respectați aceste instrucțiuni, acest lucru poate cauza situații care vă pot pune viața în pericol.
- Nu încercați să deschideți singuri carcasa aparatului.
- Nu introduceți nici un fel de obiecte în carcasa aparatului.
- Nu atingeți ștecherul cu mâinile ude sau umede.
- **Pericol de electrocutare!** Nu încercați să reparați singur/ă aparatul. În cazul unei defecțiuni, reparațiile vor fi efectuate întotdeauna numai de personal calificat.
-  **Nu utilizați niciodată un aparat defect!** Deconectați aparatul de la priza electrică și contactați distribuitorul în cazul unei defecțiuni.
- **Avertisment!** Nu scufundați părțile electrice ale aparatului în apă sau în alte lichide. Nu țineți niciodată aparatul sub jet de apă.
- Verificați în mod regulat ștecărul și cablul pentru a vă asigura că nu sunt deteriorate. În cazul în care ștecărul sau cablul de alimentare este deteriorat, acesta trebuie înlocuit de agentul de service sau de alt personal calificat similar pentru a evita orice pericol.
- Cablul nu trebuie să intre în contact cu obiecte ascuțite sau fierbinți și trebuie păstrat departe de foc. Pentru a scoate ștecărul din priză, trageți întotdeauna de ștecăr, nu de cablu.
- Asigurați-vă că nimeni nu poate trage din greșeală cablul (sau prelungitorul) și că nimeni nu se poate împiedica de el.
- Supravegheați întotdeauna aparatul atunci când este în funcțiune.
- **Avertisment!** Atât timp cât ștecărul este în priză, aparatul este conectat la sursa de electricitate.
- Opriți aparatul înainte de a scoate ștecărul din priză.
- Nu cărați niciodată aparatul ținându-l de cablu.
- Nu utilizați dispozitive suplimentare care nu sunt livrate împreună cu aparatul.
- Conectați aparatul doar la prize electrice cu intensitatea și frecvența electrice menționate pe eticheta aparatului.


RO



- Conectați cablul de alimentare la o priză electrică ușor accesibilă, astfel încât aparatul să poată fi deconectat imediat în caz de urgență. Scoateți cablul de alimentare din priza electrică pentru a opri complet aparatul. Utilizați cablul de alimentare ca dispozitiv de deconectare.
- Opriti întotdeauna aparatul înainte de a deconecta cablul de alimentare.
- Nu utilizați niciodată accesoriile care nu sunt recomandate de către producător. Acestea pot reprezenta un risc de siguranță pentru utilizator și pot deteriora aparatul. Utilizați numai piese și accesoriile originale.
- Acest aparat nu trebuie folosit de copii sau persoane care au capacități mentale, senzoriale sau fizice reduse, sau lipsă de experiență și cunoștințe.
- Acest aparat nu trebuie utilizat sub nicio formă de către copii.
- Nu țineți produsul și cablurile sale la îndemâna copiilor.
- Copiii nu trebuie să se joace cu acest produs.
- Deconectați întotdeauna aparatul de la sursa de alimentare în cazul în care este lăsat nesupravegheat, precum și înainte de asamblare, dezasamblare sau curățare.
- Nu lăsați niciodată aparatul nesupravegheat pe parcursul utilizării.

## Reglementări speciale de siguranță

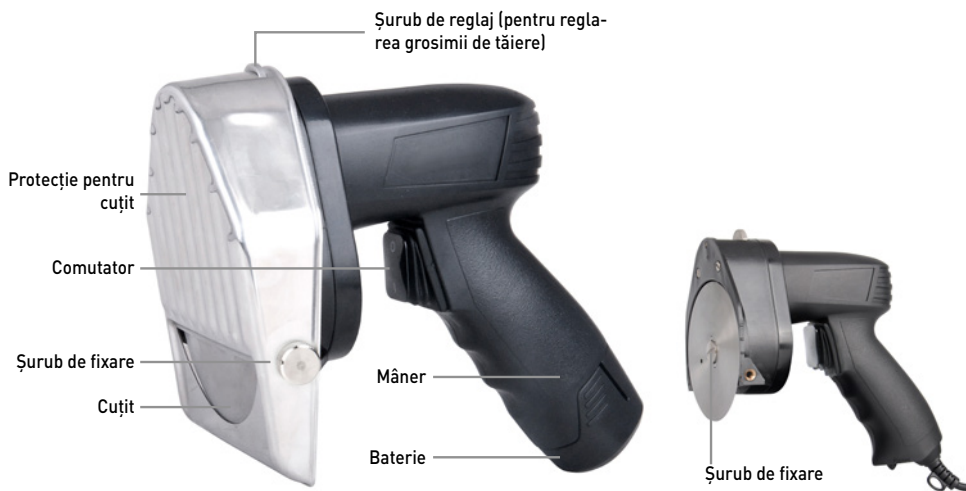
- Prezentul aparat de feliat kebab este portabil și are un cuțit acționat mecanic.
- Aparatul este destinat doar pentru tăierea oricărui tip de carne preparată la grătar, în condiții profesionale, în scopuri comerciale.
- Utilizați aparatul numai în modul descris în manual.
- Acest aparat trebuie utilizat de către personal instruit specializat din industria alimentară, precum firme de catering, restaurante, baruri etc.
- Toate lucrările de întreținere și reparații trebuie efectuate de tehnicieni specializați, instruiți și autorizați.
- În timpul funcționării purtați îmbrăcăminte de protecție, mască sau ochelari de protecție, dacă este nevoie (acestea nu se livrează).
- **AVERTISMENT:** Trebuie multă atenție și concentrare la manipularea cuțitului
- Utilizați aparatul numai cu un dispozitiv de protecție pentru cuțit montat corect și cu garnitură de ajustare.
- Nu utilizați aparatul dacă are un cuțit defect sau o garnitură de ajustare defectă.
- **AVERTISMENT:** Opriti **ÎNTOTDEAUNA** aparatul și deconectați-l de la sursa de alimentare electrică înainte de a curățare, întreținere sau depozitare.
- **AVERTISMENT!** Țineți **ÎNTOTDEAUNA** degetele, părul lung și hainele la depărtare de cuțitul aparatului.
- **AVERTISMENT!** NU îndreptați aparatul spre alte persoane în timpul funcționării.
- **Atenție!** Așezați corect cablul de alimentare pentru a împiedica tragerea lui neintenționată sau accidente.
- NU lăsați aparatul să funcționeze fără întrerupere pentru a evita supraîncălzirea motorului. Timpul maxim de funcționare continuă este de aproximativ 15~20 minute. Utilizați aparatul din nou doar după ce s-a răcit.

- Păstrați cordonul electric ferit de sursele căldură, ulei, margini ascuțite sau piese aflate în mișcare.
- Verificați în mod regulat dacă piesele în mișcare funcționează corect și să nu sufere blocaje.
- Utilizați aparatul în spații libere, curate și respectați regulile de igienă din țara respectivă.
- Nu spălați aparatul cu apă sau cu jet de apă. Spălarea cu apă poate produce scurgeri și crește riscul de electrocutare. Componentele nu pot fi curățate în mașina de spălat vase.
- Nu curățați și nu depozitați mașina decât după ce s-a răcit complet și s-a oprit.
-  Articolul 267240 este clasificat ca un aparat cu clasa de protecție II.
- Articolul 267257 este alimentat de baterii de acumulatori.

### Destinația produsului

- Acesta este un aparat de uz profesional.
- Aparatul este conceput doar pentru tăierea oricărui tip de carne gătită în condiții profesionale. Orice altă utilizare poate provoca avarierea aparatului sau accidentarea persoanelor.
- Utilizarea aparatului în orice alt scop reprezintă o utilizare incorectă. Utilizatorul este singurul răspunzător de orice utilizare incorectă a aparatului.

### Descrierea produsului

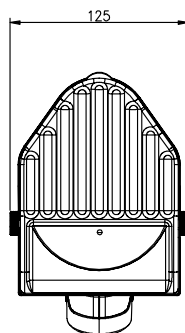
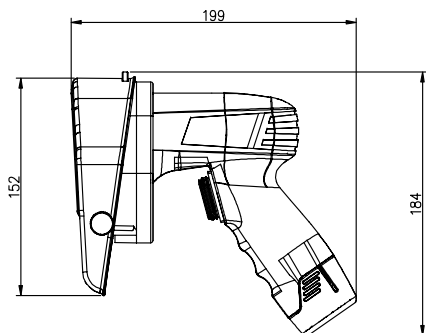


RO

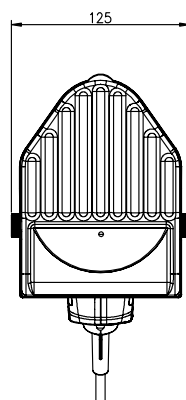
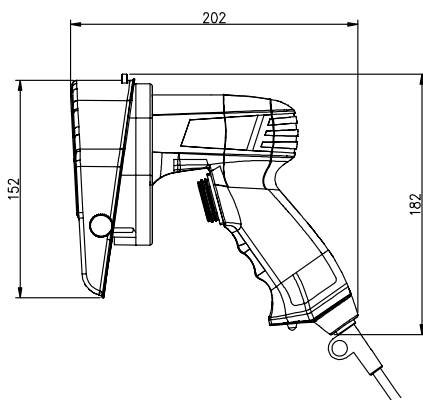


## Parametri tehnici principali

267257



267240



RO

Unitate de  
măsură: mm

Articol	267257	267240
Tensiune	Baterie 12Vcc	230V~/50Hz
Puterea	80W	
Dimensiune cuțit	ø 100mm	
Grosimea de tăiere	0~8mm	
Mărimea	199x114x184mm	194x113x173mm
Nivel sonor	< 85 dB (A)	
Clasă de protecție	Clasă II	
Clasă de protecție pentru impermeabilitate	IPX4	

**Observație:** NU lăsați aparatul să funcționeze fără întrerupere pentru a evita supraîncălzirea motorului.  
 Timpul maxim de funcționare continuă este de aproximativ 15~20 minute.  
 Utilizați aparatul din nou doar după ce s-a răcit.





## Înlocuirea cuțitului circular

### Risc de deces

Ca urmare a pornirii neintenționate a aparatului de feliat kebab

- Decuplați aparatul de feliat kebab de la sursa de curent.

### Risc de accidentare!

Cuțitul este ascuțit.

Se pot provoca tăieturi adânci.

- Scoateți cuțitul cu atenție.



Scoateți dispozitivul de protecție a cuțitului



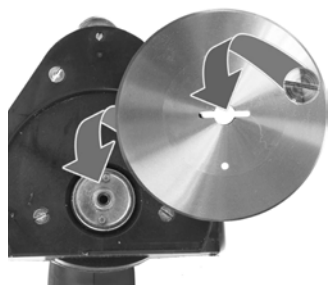
Scoateți cuțitul

### ATENȚIE: Defecțiune!

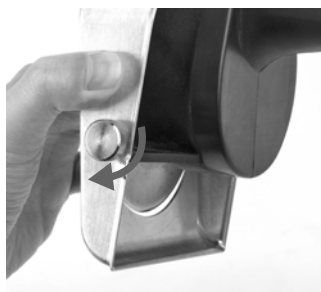
Instalare incorectă a cuțitului.

Împiedică funcționarea corectă a aparatului de feliat kebab.

- Întotdeauna cuțitul se instalează cu partea ascuțită înspre motor.



Introduceți cuțitul nou, înșurubați discul de fixare și șurubul.



Montați dispozitivul de protecție a cuțitului.



## Tăierea cărnii

Carnea este rotisată dinspre exterior înspre interior. Carnea din interior este încă crudă.

Se poate seta o grosime de tăiere între 0,5 mm și 8 mm.

- Pentru acest lucru, rotiți șurubul de ajustare spre stânga (grosime mai mare) sau spre dreapta (grosime mai mică).

### AVERTISMENT: Risc de accidentare!

- Verificați dacă dispozitivul de protecție pentru cuțit este amplasat corect
- Asigurați un suport stabil

### Protecția la supraîncălzire (Pentru reperul: 267240)

De observat că butonul RESET (RESETARE) este situat sub mânerul protecției contra supraîncălzirii.

- Scoateți mai întâi aparatul din priză.
- Lăsați aparatul să se răcească.

- Lucrați întotdeauna de sus în jos
- Tăiați numai carnea rotisată
- Porniți cuțitul numai după ce acesta a fost aplicat pe kebab



- Apăsăți butonul RESET (RESETARE) de sub mâner
- Puneți aparatul în priză și acesta este gata de utilizare.

## Igiena/curățarea

### Instrucțiuni de igienă

Instrucțiuni generale referitoare la igienă:

- Spălați-vă pe mâini înainte și după contactul cu alimentele.
- Acoperiți rănila deschise cu un plasture impermeabil.
- Evitați atingerea alimentelor cu mâinile goale.
- Curățați și dezinfectați zilnic toate dispozitivele.

### Curățare

Atenție! Scoateți întotdeauna aparatul din priză și lăsați-l să se răcească complet înainte de curățare și depozitare.

- Curățați aparatul după fiecare utilizare.
- Nu scufundați niciodată aparatul în apă.

**AVERTISMENT!** Curățarea trebuie făcută cu multă atenție. Cuțitul este ascuțit. Se pot provoca tăieturi adânci.

- Scoateți cuțitul cu atenție.
- Curățați murdăria depusă pe cuțit folosind ustensile precum bureții și periile.
- Pulverizați un solvent pentru grăsimi și puțin dezinfectant și lăsați-le să-și facă efectul timp de cel puțin 5 minute.

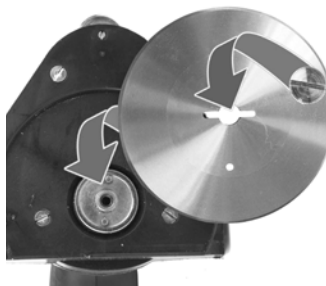
Manipularea alimentelor:

- Încălziți bine carnea la cel puțin 70°C.
- Depozitați carnea la mai puțin de 5°C sau congelați-o (la sub -18°C).
- Evitați contactul între alimentele crude și cele gătite.
- Curățați materialele de folosite la cuțit și la protecția cuțitului, folosind o cârpă umedă. Lăsați să se usuce și montați la loc.

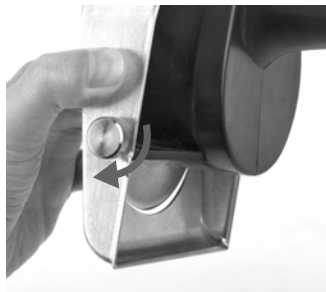




Lăsați carcasa să se usuce.



Introduceți cuțitul nou, înșurubați discul de fixare și șurubul.



Montați dispozitivul de protecție a cuțitului.

Curățați cuțitul și carcasa înainte de ascuțire. După procesul de ascuțire, curățați și dezinfecțați din nou.

### Ascuțirea cuțitului



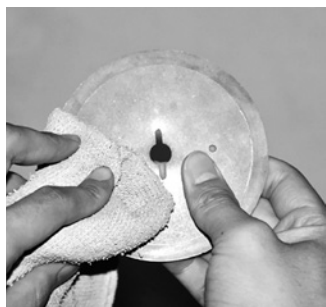
Ascuțiți cuțitul circular fără dinți timp de aproximativ 1-2 secunde la un unghi foarte mic față de partea de jos.



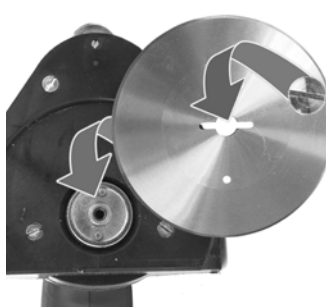
Debavurați ușor de la marginea superioară.



Debavurați secțiunea inferioară de partea frontală.



Curățați cuțitul.



Introduceți cuțitul nou, înșurubați discul de fixare și șurubul.



Montați dispozitivul de protecție a cuțitului.



## Pentru reperul: 267257 baterie și alimentator

Datele tehnice ale alimentatorului

Tensiune de intrare: 100-240V~ / 50-60Hz

Consum energetic: 20W

Leșirea: 12Vcc / 1,5A

Capacitatea: 2000 mAh

### Siguranța setului pentru baterie

- Setul de baterii se va depozita și se va alimenta în spații bine ventilate, uscate, răcoroase și curate.
- Nu expuneți setul de baterii la temperaturi foarte ridicate, cum ar fi bătaia directă a razelor de soare sau focul.. Nu puneți setul de baterii pe o sursă de căldură sau în apropierea acestora.
- Evitați pornirea accidentală, verificați ca poziția comutatorului de pornire/oprire să fie în poziția „oprit” înainte de a introduce setul de baterii.
- Nu demontați setul de baterii.
- În cazul în care bateriile sunt deteriorate sau utilizate încorect ele pot degaja vapori. În cazul în care apar neplăceri asigurați ventilarea cu aer curat și solicitați asistență medicală.

### Siguranța alimentatorului

- Alimentatorul de baterii trebuie protejat contra ploii și umezelii.
- Nu utilizați acest alimentator pentru alte baterii.
- Nu folosiți alimentatorul pe suprafețe ușor inflamabile (de exemplu hârtie, textile etc.) sau în spații cu materiale combustibile.
- Utilizați alimentatorul spații bine ventilate, uscate, răcoroase și curate.
- Alimentatorul trebuie cuplat la una din tensiunile trecute pe el.

### Alimentarea bateriilor

- Folosiți doar alimentatorul original. Doar acest alimentator este adecvat pentru aparatul dumneavoastră de feliat chebab.
- Bateria este livrată încărcată parțial. Pentru a asigura capacitatea maximă a bateriei aceasta trebuie să fie complet încărcată înainte de prima folosire a aparatului de feliat chebab.
- Nu lăsați copii să înlocuiască sau să alimenteze bateriile.
- Bateriile pot fi alimentate în orice moment, fără a se reduce astfel durata lor de viață. Întreruperea operației de încărcare nu afectează bateria.








- Dacă o baterie este defectă lichidul poate scăpa din ea atingând piesele din jur. Trebuie verificate toate piesele afectate.
- Bateria se va folosi doar la acest cuțit pentru kebab.
- Bateriile pot fi alimentate doar de la alimentatorul acestora. NU folosiți alte alimentatoare la aceste baterii.
- Nu striviți, nu scăpați pe jos și nu deteriorați setul pentru baterii. Nu folosiți baterii sau alimentatoare care au fost scăpate pe jos sau au fost lovite puternic. Bateriile avariate pot face explozie. Orice baterie care a fost scăpată sau deteriorată trebuie eliminată imediat în mod adecvat.

- Înainte de a executa orice intervenție de întreținere sau de a încerca să îl curățați, alimentatorul trebuie scos din priză pentru a reduce riscul de electrocutare.
- Decuplați alimentatorul de la rețea atunci când nu îl folosiți.
- Nu atingeți porțiunea neizolată a conectorului de ieșire sau borna neizolată a bateriei.

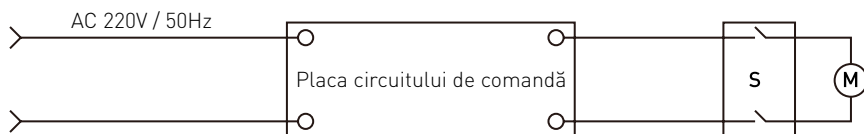
- Pentru a scoate bateria apăsați butonul de eliminare și trageți bateria în afară. Nu încercați să forțați nimic.
- Atenție! Dacă înlocuirea bateriilor nu se face corect există pericolul de explozie. Setul de baterii se înlocuiește cu setul de baterii livrat.

**AVERTISMENT:** După ce aparatul s-a oprit în mod automat nu încercați să mai apăsați comutatorul de pornire/oprire. Setul de baterii se poate deteriora cu ușurință.

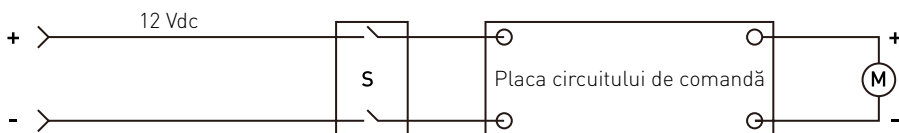
## Funcțiile LED ale alimentatorului

Indicator cu LED	Set de baterii	Led roșu	Led verde	Acțiune
Pregătire pentru Alimentare 		Oprire	Pornire	Pregătire pentru alimentare
 Baterie se va încărca 	Alimentare	Pornire	Oprire	Alimentare
 Baterie plină 	Complet încărcată	Oprire	Pornire	Alimentarea s-a finalizat. Alimentare de întreținere.
 Bateria nu poate fi alimentată 	Bateria nu poate fi alimentată	Pornit/ Clipește	Oprire	Amânarea alimentării (prea fierbinte) / Baterie defectă

### Schema electrică (pentru reperul 267240)



### Schema electrică (pentru reperul 267257)



## Garanzia

Qualsiasi difetto che influența la funzionalità del dispositivo che compaia entro un anno dall'acquisto sarà corretto a titolo interamente gratuito o con la sostituzione del prodotto che è stato utilizzato e sottoposto a manutenzione corretta seguendo le istruzioni, senza alcuna violazione. I diritti legali del cliente non sono assolutamente modificati. Nel caso in cui l'intervento di manutenzione o sostitu-

zione sia previsto nel periodo di validità della garanzia, precisare dove e quando si è acquistato il prodotto, possibilmente allegando lo scontrino.

In linea con la nostra politica di sviluppo continuo dei prodotti, ci riserviamo il diritto di modificare il prodotto, l'imballo e le specifiche di documentazione, senza notifica alcuna.

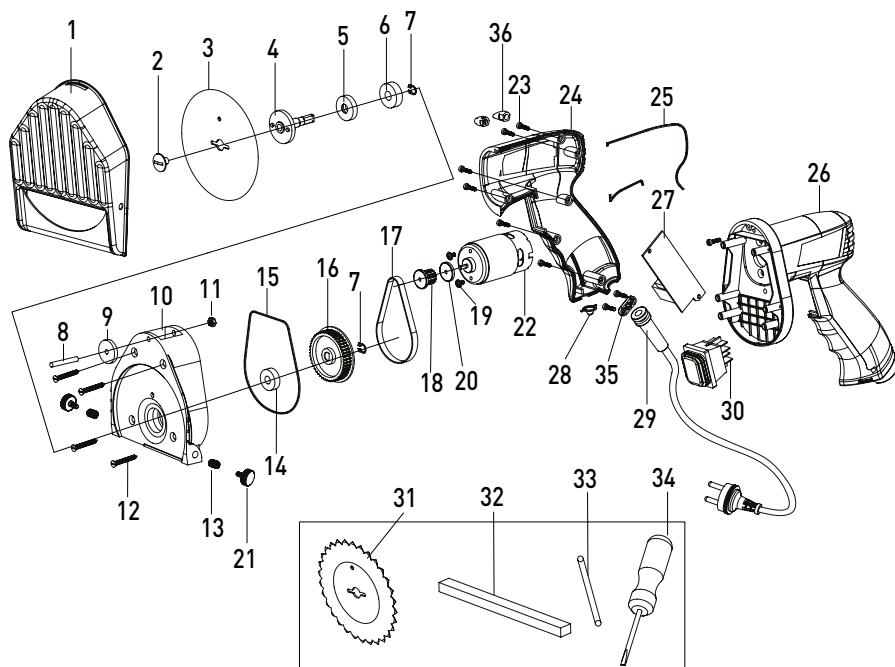
## Smaltimento e protezione dell'ambiente

In caso di ritiro dell'apparecchiatura dal funzionamento il prodotto non può essere smaltito con altri rifiuti domestici. L'utente è responsabile della consegna dell'attrezzatura al punto di raccolta appropriato per l'attrezzatura usata. Il mancato rispetto delle disposizioni sopramenzionate può comportare l'imposizione di sanzioni in conformità con le normative vigenti in materia di smaltimento dei rifiuti. La raccolta e il riciclaggio selettivi di attrezzature usate contribuiscono alla conserva-

zione delle risorse naturali e garantiscono il riciclaggio in modo tale da non nuocere alla salute e all'ambiente. Per ulteriori informazioni sui luoghi di smaltimento delle apparecchiature usate per il riciclaggio, contattare la società locale di raccolta dei rifiuti. Il produttore e l'importatore non sono responsabili per il riciclaggio e il trattamento dei rifiuti in modo ecologico, sia direttamente che nel quadro del sistema pubblico.

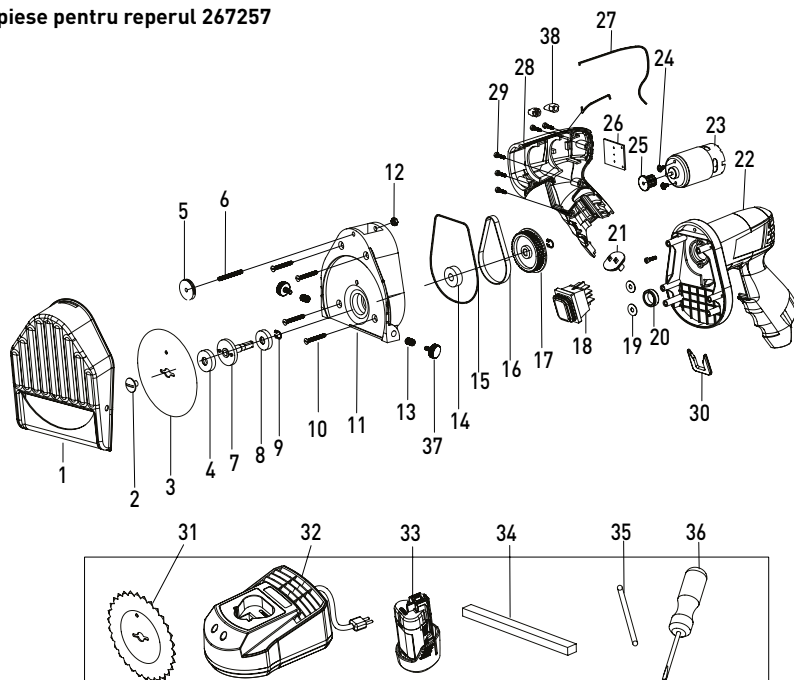


## Lista de piese pentru reperul 267240



Piesă nr.	Denumirea piesei	Cantitatea	Piesă nr.	Denumirea piesei	Cantitatea
1	Protecție pentru cuțit	1	19	Șurub	2
2	Șurub de fixare	1	20	Barieră	2
3	Cuțit neted	1	21	Șurub autoblocant	1
4	Ax de antrenare	1	22	Motor	1
5	Garnitură ulei	1	23	Șurub	7
6	Rulment	1	24	Carcasă stânga	1
7	Șaibă elastică	2	25	Etanșare	2
8	Șurub	1	26	Carcasă dreapta	1
9	Șurub de reglaj	4	27	Placă de circuit	1
10	Cutie de viteze	1	28	Capac resetare	1
11	Șurub	1	29	Cablu alimentare + Reducător de tensiune	1
12	Șurub	4	30	Întreprupător	1
13	Șurub filetat	2	31	Cuțit crestă	1
14	Rulment	1	32	Piatră de ascuțit	1
15	Garnitură inelară	1	33	Tijă fixă	1
16	Roată de transmisie	1	34	Șurubelniță	1
17	Curea	1	35	Suport cablu	1
18	Angrenaj motor	1	36	Piston cu șnec	8

## Lista de piese pentru reperul 267257



Piesă nr.	Denumirea piesei	Cantitatea	Piesă nr.	Denumirea piesei	Cantitatea
1	Protecție pentru cuțit	1	20	Inel fixat	1
2	Șurub de fixare	1	21	Terminal	1
3	Cuțit neted	1	22	Carcasă dreapta	1
4	Garnitură ulei	1	23	Motor	1
5	Șurub de reglaj	1	24	Șurub	2
6	Șurub	1	25	Angrenaj motor	1
7	Ax de antrenare	1	26	Placă de circuit	1
8	Rulment	1	27	Etanșare	1
9	Șaibă elastică	2	28	Carcasă stânga	1
10	Șurub	4	29	Șurub	5
11	Cutie de viteze	1	30	Șurub de carcasă	2
12	Șurub	1	31	Cuțit crestată	1
13	Șurub filetat	2	32	Alimentator	1
14	Rulment	1	33	Baterie Li-ion	2
15	Garnitură inelară	1	34	Piatră de ascuțit	1
16	Curea	1	35	Tijă fixă	1
17	Roată de transmisie	1	36	Șurubelniță	1
18	Întreprător	1	37	Șurub autoblocant	2
19	Barieră	2	38	Piston cu șnec	5

RO



Большое Вам спасибо за то, что Вы купили оборудование фирмы Hendi. Вам следует внимательно прочитать настоящую инструкцию пользователя во избежание повреждения машины в результате неправильной эксплуатации. Особенно рекомендуем ознакомиться с предупреждениями.

## Правила техники безопасности

- Неправильная эксплуатация и неподходящее использование агрегата может привести к его поломке и поранить оператора.
- Это оборудование предназначено для коммерческого использования.
- Оборудование следует использовать точно по назначению. Производитель не несет ответственности за повреждения, вызванные неправильной эксплуатацией или неправильным обслуживанием оборудования.
- Оборудование и электрическую штепсельную вилку следует держать вдали от воды и прочих жидкостей. Если штепсельная вилка попадет в воду, ее следует тут же вытащить из розетки электропитания и обратиться в службу сертифицированного сервиса для проверки устройства. Несоблюдение данных указаний может повлечь за собой угрозу здоровью и жизни обслуживающего персонала.
- Нельзя снимать кожух без особого разрешения.
- Нельзя класть никаких посторонних предметов вовнутрь агрегата.
- Нельзя касаться мокрыми, или влажными руками штепсельной вилки.
-  **Опасность поражения током!** Не следует самостоятельно чинить электроаппаратуру. Любые поломки и неисправности должны устраняться квалифицированным персоналом.
- **Никогда не следует пользоваться поврежденной электроаппаратурой.** Поврежденное устройство нужно отсоединить от электросети и обратиться к продавцу.
- **Предупреждение:** не следует погружать электрических деталей в воду, или иные жидкости. Не омыwać в струе воды.
- Регулярно проверять вилку и провод электропитания на предмет повреждений. Поврежденные вилку или провод передать для ремонта в сервисную точку, или обратиться к квалифицированному электрику во имя предотвращения опасности травм.
- Удостовериться, что провод электропитания не касается острых и горячих предметов; держать электропровод вдали от открытого огня. Для того, чтобы вынуть вилку из розетки всегда нужно тянуть за вилку, а не за электропровод.
- Защитить провод электропитания (удлинитель) от случайного выпадения из розетки. Электропровод прокладывать так, чтобы случайно не зацепиться за него.
- Непрестанно наблюдать за работающей электроаппаратурой.
- **Предупреждение!** Если вилка находится в розетке – это означает, что электроаппаратура считается подключенной к электропитанию.
- Перед тем, как вынуть вилку из розетки, электроаппаратуру следует выключить!
- Никогда нельзя переносить, передвигать электроаппаратуру держа за электропровод.



- Не использовать никаких деталей, аксессуаров, которые не поставляются вместе с этой электроаппаратурой.
- Электроаппаратуру следует подключать исключительно к розетке, в которой имеется напряжение и частота, указанную на щитке электроаппаратуры.
- Вилку следует вставлять в розетку, расположенную в удобном и легкодоступном месте, так чтобы в случае аварии можно бы ее немедленно вынуть. Для полного обесточивания электроаппаратуры ее следует отсоединить от электропитания; для этого следует вынуть вилку, находящуюся на конце провода электропитания, из розетки.
- Перед тем, как вынуть вилку всегда следует помнить о том, чтобы сначала выключить электроаппаратуру!
- Не следует использовать детали, аксессуары, не рекомендуемые производителем данной электроаппаратуры, т.к. использование таких деталей, аксессуаров может создать для пользователя угрозу его здоровью и жизни, а также может привести к поломке электроаппаратуры. Следует всего использовать оригинальные детали, аксессуары.
- Без надлежащего контроля или предварительного обучения эксплуатации оборудования проводимого лицом, отвечающим за безопасную эксплуатацию, оборудованием не могут пользоваться ни дети, ни лица с ограниченными физическими, или психическими возможностями, ни лица, которые не обладают необходимым опытом работы и знаниями в данной области.
- Ни в коем случае нельзя допускать к использованию электроаппаратуры детей.
- Электроаппаратуру следует хранить в месте недоступном для детей.
- Нельзя разрешать детям использовать электроаппаратуру в качестве игрушки.
- Всегда электроаппаратуру следует отсоединить от электропитания, если оставляем ее без надзора, перед монтажом, демонтажем и чисткой.
- Нельзя оставлять работающую электроаппаратуру без надзора.

---

## Специальные правила техники безопасности

- Беспроводной нож для шаурмы оснащен режущим лезвием с механическим приводом.
- Устройство предназначено исключительно для коммерческого использования, для нарезания обжаренного на гриле мяса в профессиональных кухнях.
- Используйте устройство только в соответствии с руководством.
- Устройство должен обслуживать только квалифицированный персонал кухни предприятий общественного питания, например, ресторанов, баров, кейтеринга и т.п.
- Все техническое обслуживание и ремонт устройства должны выполнять квалифицированные, уполномоченные специалисты.
- При необходимости надевайте защитную одежду, маску или защитные очки (не поставляются с устройством).
- **ПРЕДУПРЕЖДЕНИЕ:** Проявляйте особую осторожность при работе с режущим лезвием.



- Используйте устройство только тогда, когда режущее лезвие правильно установлено с защитным кожухом лезвия и регулировочным винтом.
- НЕ ПОЛЬЗУЙТЕСЬ устройством, если поврежден защитный кожух лезвия или регулировочный винт.
- **ПРЕДУПРЕЖДЕНИЕ: ВСЕГДА** выключайте и отсоединяйте устройство от источника питания перед очисткой, обслуживанием или хранением.
- **ПРЕДУПРЕЖДЕНИЕ! ВСЕГДА** помните, чтобы не носить свободную одежду, не прикасаться к режущим лезвиям руками и завязывайте свои волосы.
- **ПРЕДУПРЕЖДЕНИЕ!** Во время работы НЕ направляйте устройство в сторону других людей.
- **Внимание!** Правильно подключите и закрепите шнур питания для предотвращения от случайного вытягивания устройства и несчастных случаев.
- Включайте устройство только во времена нарезания, чтобы избежать перегрева двигателя. Максимальное непрерывное рабочее время составляет 15-20 минут. После охлаждения устройство снова готово к использованию.
- Держите шнур питания вдали от источников тепла, масла, острых краев и подвижных частей устройства.
- Регулярно проверяйте правильность работы подвижных частей устройства и убедитесь, что они не заблокированы.
- Устройство должно работать в чистом помещении, в соответствии с гигиеническими требованиями, применимыми в данной стране.
- Не мойте устройство водой или сильной струей. Мойка устройства водой может привести к попаданию воды в электрические части и привести к поражению электрическим током. Части устройства нельзя мыть в посудомоечной машине.
- Не чистите и не размещайте устройство в месте хранения, прежде чем оно полностью не остынет, а режущее лезвие не остановится.
-  Модель 267240 - это устройство II класса защиты.
- Модель 267257 питается от приложенного к ножу аккумулятора.

### Назначение устройства

- Устройство предназначено для профессионального использования.
- Данное изделие предназначено исключительно для резки любого вида приготовленного на гриле мяса в профессиональных условиях. Использование устройства для любых других целей может привести к повреждению или травме тела.
- Использование устройства для любых других целей будет рассматриваться, как использование не по назначению.

## Описание продукта

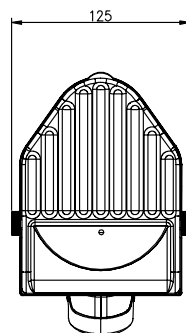
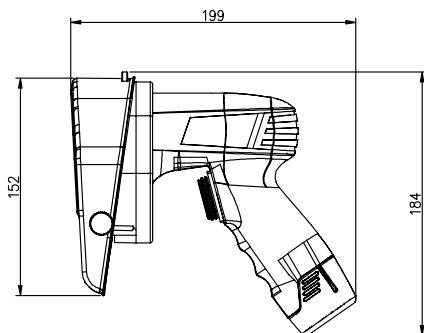


RU

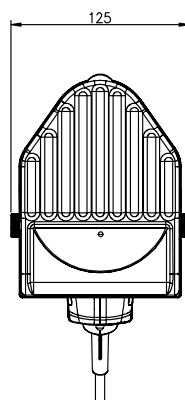
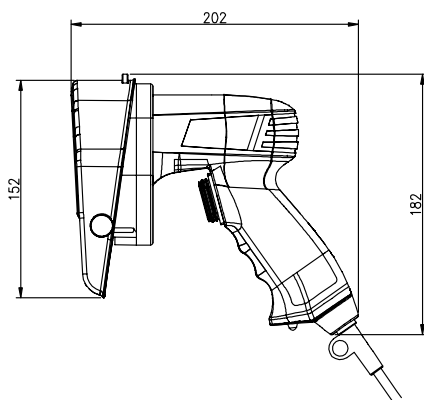


## Основные технические параметры

267257



267240



RU

Единица  
измерения: мм

Модель	267257	267240
Напряжение	Аккумулятор 12В постоянного тока	230 В~/50 Гц
Мощность	80 Вт	
Размер лезвия	Ø 100мм	
Толщина резки	0~8мм	
Размеры	199x114x184мм	194x113x173мм
Уровень шума	< 85 дБ (А)	
Класс защиты	Класс II	
Степень защиты от проникновения воды	IPX4	

**Примечание.** Включайте устройство только во времена нарезания, чтобы избежать перегрева двигателя.  
Максимальное непрерывное рабочее время составляет 15-20 минут.  
После охлаждения устройство снова готово к использованию.



## Замена круглого режущего лезвия

### Риск смертельных травм

В случае случайного включения ножа для шаурмы

- Отключите устройство от источника питания.

### Опасность порезов!

Лезвие очень острое.

Неправильное обращение может привести к глубоким порезам.

- Осторожно снимите лезвие.



Снимите защитный кожух лезвия

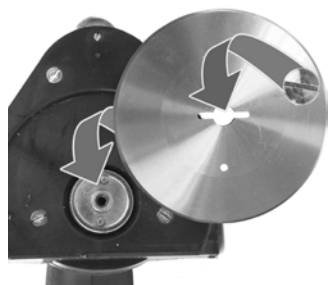


Выньте режущее лезвие

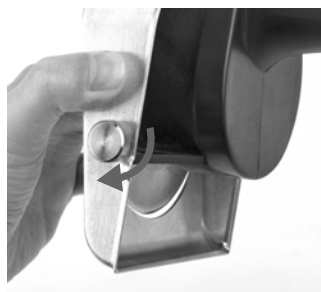
### БУДЬТЕ ВНИМАТЕЛЬНЫ! Неправильная работа!

Неправильная установка лезвия приведет к неисправности ножа для шаурмы.

- Всегда устанавливайте лезвие с острой стороной, обращенной к двигателю.



Вставьте новое лезвие, затяните фиксирующий диск и крепежный винт.



Прикрепите кожух лезвия.



## Резка мяса

Нарезать обжаренное мясо на гриле нужно постепенно – снаружи вовнутрь. В то время, когда верхняя часть мяса запечена, его внутренняя часть еще сырая.

Толщина нарезки ножом составляет от 0,5 мм до 8 мм.

- Чтобы установить толщину нарезки, поверните регулировочный винт влево (более толстые куски) или вправо (более тонкие кусочки).



## ВНИМАНИЕ: Опасность порезов!

- Убедитесь, что защитный кожух лезвия правильно установлен
- Установите в устойчивом положении
- Нарезайте мясо всегда сверху вниз
- Отрезайте только запеченные куски
- Включайте нож только, когда вы положите его на мясо.

## Защита от перегрева (модель 267240)

Помните, что кнопка RESET термостатического предохранителя расположена под держателем.

- Сначала отсоедините устройство от источника питания.
- Оставьте устройство остыть.

- Нажмите кнопку RESET расположенную под держателем.
- Подключите снова устройство - оно готово к использованию.

RU

## Гигиена / очистка

### Инструкции относительно гигиены

Общие инструкции по гигиене:

- Мойте руки до и после контакта с пищевыми продуктами.
- Полученные порезы заклейте водонепроницаемым пластырем.
- Не прикасайтесь к пище голыми руками.
- Ежедневно следует чистить и дезинфицировать все устройства.

Обработка продуктов питания:

- Подогревайте мясо до температуры мин. 70 °С.
- Мясо следует хранить при температуре ниже 5 °С или замораживать (при температуре ниже -18 °С).
- Сырая и приготовленная пища не должна прикасаться друг к другу.

### Очистка

Внимание! Перед очисткой и размещением устройства в зоне хранения, всегда отсоединяйте устройство от источника питания и дайте ему остыть.

- Мойте устройство после каждого использования.
- Никогда не погружайте устройство в воду.

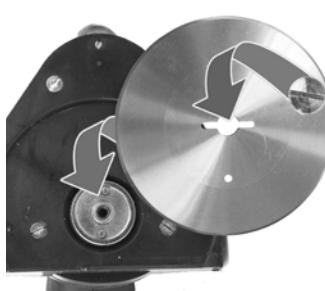


**ВНИМАНИЕ!** Будьте особенно внимательны при очистке. Лезвие очень острое. Неправильное обращение может привести к глубоким порезам.

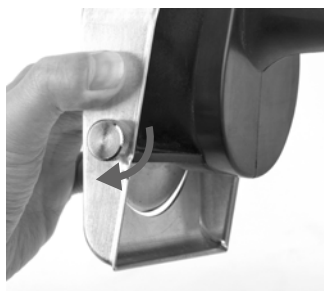
- Осторожно снимите лезвие.
- Удалите самую большую грязь с лезвия, очистите защитный кожух лезвия чистящими средствами, например, губкой или щеткой.
- Распылите на всю поверхность жирорастворимый агент и немного дезинфицирующего средства и оставьте в таком положении не менее 5 минут.
- Смойте моющее средство с лезвия и кожуха с помощью влажной ткани. Установите сухие части устройства.



Высушите корпус устройства.



Вставьте новое лезвие, затяните фиксирующий диск и крепежный винт.



Прикрепите кожух лезвия.

RU

Перед заточкой вымойте лезвие и корпус устройства. После заточки снова проведите очистку и дезинфекцию.

## Заточка



Затачивайте круглое, гладкое режущее лезвие в течение примерно 1-2 секунд под небольшим углом по отношению к горизонтальной плоскости.

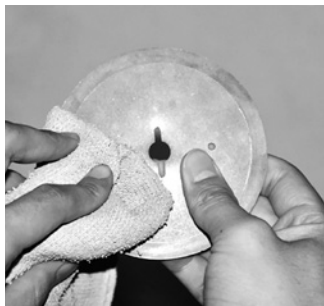


Сгладьте лезвие сверху.

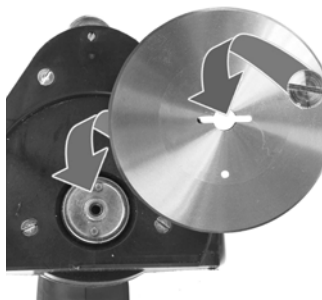


Сгладьте нижнюю часть лезвия спереди.

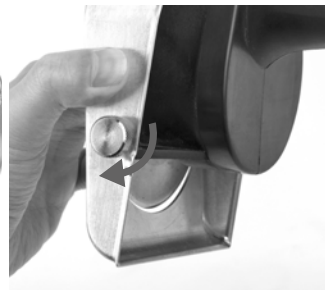




Очистите лезвие.



Вставьте новое лезвие, затяните фиксирующий диск и крепежный винт.



Прикрепите кожух лезвия.

### Касается модели: 267257 - аккумулятор и зарядное устройство

Технические данные зарядного устройства

Входная мощность: 100-240 В~ / 50-60 Гц

Мощность: 20 Вт

Выходная мощность: 12 В постоянного тока / 1,5 А

Емкость: 2000 мАч

### Инструкция по безопасности для аккумулятора

- Храните и заряжайте аккумулятор в хорошо проветриваемом, сухом, прохладном и чистом помещении.
- Не подвергайте аккумулятор воздействию высоких температур, например, на непосредственное воздействие солнечных лучей или огня. Не устанавливайте аккумулятор вблизи источника тепла.
- Избегайте случайного запуска устройства; перед установкой батареи убедитесь, что кнопка включения / выключения находится в выключенном положении.
- Не разбирайте аккумулятор.
- Если аккумулятор поврежден или использован ненадлежащим образом, из него может выходить специфический запах. В случае, если специфический запах вызывает нежелательные реакции, обеспечьте доступ к свежему воздуху и обратитесь к врачу.
- Если аккумулятор поврежден, из него может вытекать жидкость, которая может попасть в соседние части устройства. Проверьте части устройства, которые могли быть повреждены.
- Используйте аккумулятор только для ножа для шаурмы.
- Заряжайте аккумулятор только зарядным устройством, поставляемым вместе с ножом. НИКОГДА не используйте другие зарядные устройства для зарядки аккумулятора.
- Не раздавливайте, не бросайте и не повреждайте аккумулятор каким-либо другим способом. Не используйте аккумулятор или зарядное устройство, если оно упало или могло повредиться каким-либо другим способом. Поврежденный аккумулятор может взорваться. Немедленно утилизируйте упавший или поврежденный аккумулятор.



## Инструкции по безопасности зарядного устройства

- Защитите зарядное устройство от дождя и влаги.
- Не используйте зарядное устройство для зарядки других батарей.
- Не используйте зарядное устройство, помещая его на легковоспламеняющиеся поверхности (например, бумагу, ткань и т.п.) или вблизи легковоспламеняющихся материалов.
- Используйте зарядное устройство в хорошо проветриваемом, сухом, прохладном и чистом помещении.
- Подключите зарядное устройство к розетке с напряжением, указанным на зарядном устройстве.
- Перед проведением работ по техническому обслуживанию или ремонту отключите зарядное устройство от розетки, чтобы снизить риск поражения электрическим током.
- Когда зарядное устройство не используется, отсоедините его от розетки.
- Не касайтесь неизолированной части выходного разъема или неизолированного полюса.

## Зарядка аккумулятора

- Используйте только зарядное устройство, поставляемое с устройством. Только оригинальное зарядное устройство подходит для литий-ионного аккумулятора ножа.
- Аккумулятор устройства частично заряжен. Чтобы обеспечить полную емкость аккумулятора, полностью зарядите его, прежде чем использовать устройство в первый раз.
- Аккумулятор не может заменяться или заряжаться детьми.
- Аккумулятор устройства можно заряжать без риска сокращения его срока службы. Прерывание зарядки не повредит аккумулятор.
- Чтобы извлечь аккумулятор, нажмите спусковую кнопку и извлеките аккумулятор. Не вытаскивайте аккумулятор силой.
- Внимание! Неправильно установленная батарея может вызвать взрыв. Замените аккумулятор запасным аккумулятором, входящим в комплект поставки.

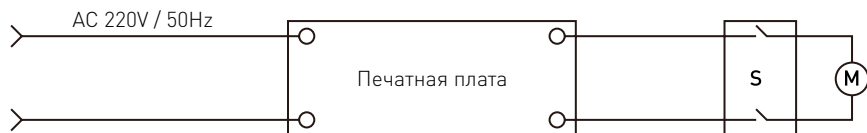
**ПРИМЕЧАНИЕ:** Не нажимайте кнопку включения / выключения, если устройство автоматически выключилось. Аккумулятор может легко повредиться.

## Обозначение сигналов, излучаемых светодиодами на зарядном устройстве

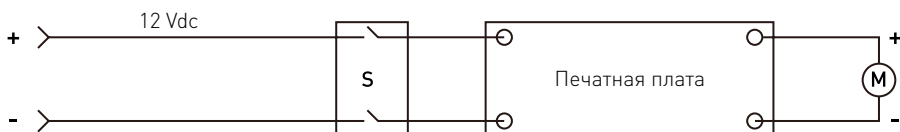
Светодиод	Аккумулятор	Красный светодиод	Зелёный светодиод	Действие
Подготовка к зарядке 		Не светится	Светится	Подготовка к зарядке
 Аккумулятор заряжен 	Аккумулятор заряжается	Светится	Не светится	Аккумулятор заряжается
 Аккумулятор полный 	Аккумулятор полностью заряжен	Не светится	Светится	Зарядка окончена. Поддержка зарядки.
 Аккумулятор не может заряжаться. 	Аккумулятор не может заряжаться.	Светится / мигает	Не светится	Задержка зарядки (перегрев) / поврежденный аккумулятор



### Электрическая схема (модель 267240)



### Электрическая схема (модель 267257)



### Гарантия

Любая неполадка или поломка, которая влечет за собой неправильную работу устройства, которая будет выявлена в течение первого года от даты покупки, будет устранена бесплатно, или же все устройство будет заменено новым, если оно эксплуатировалось и обслуживалось согласно инструкции по обслуживанию и не использовалось неправильно, или в разрез с назначением. Данное положение ни в коей мере не нарушает иных прав потребителя, изложенных в законо-

дательстве. В случае заявления устройства в ремонт или на замену в рамках гарантии, следует указать место и дату покупки устройства и приложить счет, или чековую квитанцию.

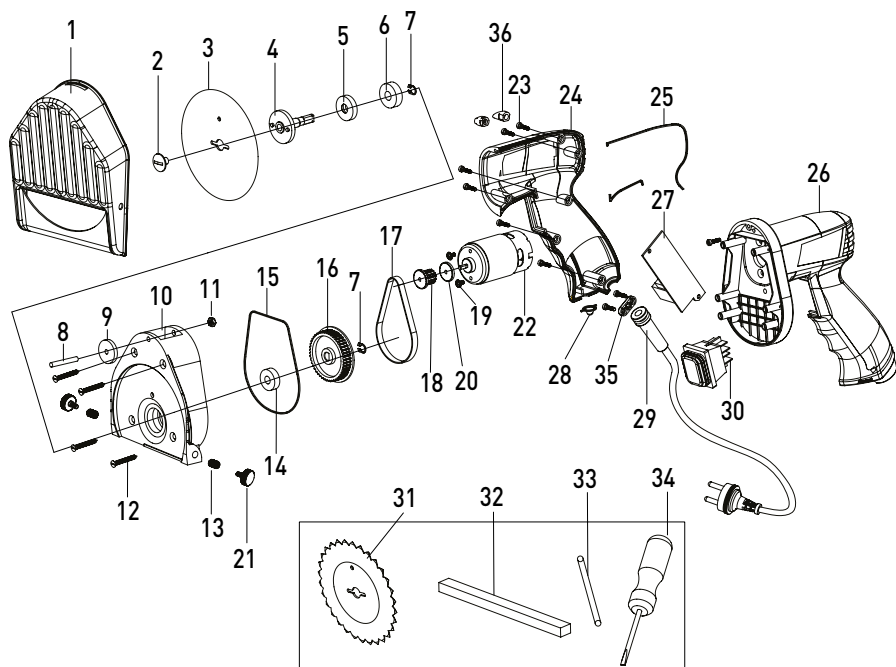
Согласно нашей политике совершенствования наших продуктов оставляем за собой право на ввод изменений в конструкцию, упаковку и в технические параметры, указываемые в технической документации без предупреждения.

### Утилизация и защита окружающей среды

В случае вывода оборудования из эксплуатации, продукт нельзя утилизировать вместе с другими бытовыми отходами. Пользователь несет ответственность за передачу оборудования в соответствующий пункт приёма техники бывшей в употреблении. Несоблюдение вышеуказанного положения может привести к наложению штрафов в соответствии с действующими правилами в отношении утилизации отходов. Селективный сбор и утилизация использованного оборудования способствуют сохранению природных

ресурсов и обеспечивают рециркуляцию таким образом, который не вреден для здоровья и окружающей среды. Для получения дополнительной информации о том, где можно отдать использованное оборудование для утилизации, обратитесь в местную компанию по сбору отходов. Производитель и импортер не несут ответственности за рециркуляцию и переработку отходов экологически безопасным способом, как непосредственно, так и в рамках государственной системы.

## Список деталей для модели 267240

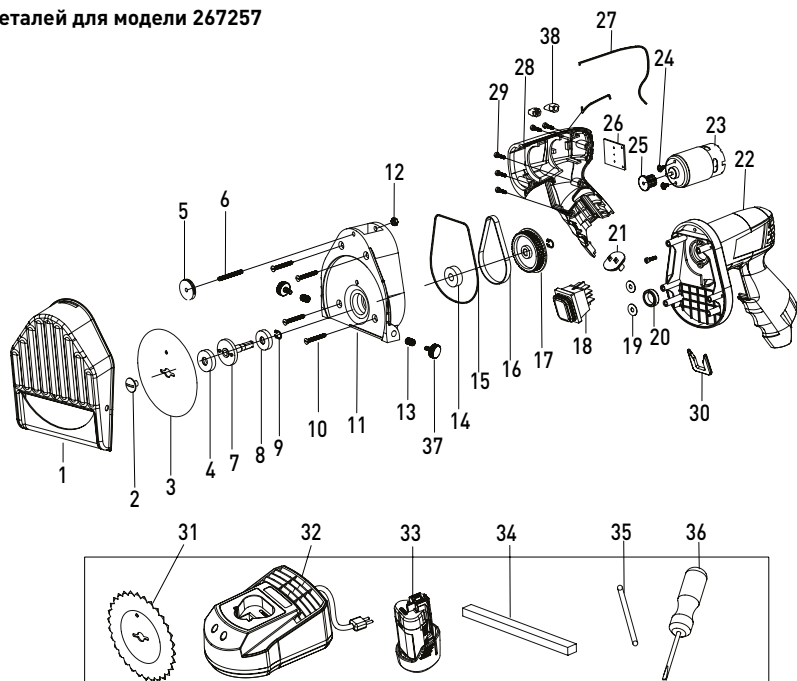


№ детали	Название детали	Кол-во	№ детали	Название детали	Кол-во
1	Кожух лезвия	1	19	Винт	2
2	Крепежный винт	1	20	Накладка	2
3	Гладкое лезвие	1	21	Запорный винт	1
4	Выходная втулка	1	22	Двигатель	1
5	Масляная прокладка	1	23	Винт	7
6	Подшипник	1	24	Левый корпус	1
7	Стопорное пружинящее кольцо	2	25	Прокладка	2
8	Штифт	1	26	Правый корпус	1
9	Регулировочный винт	4	27	Печатная плата	1
10	Коробка передач	1	28	Сброс крышки	1
11	Винт	1	29	Шнур питания + Снятие натяжения	1
12	Винт	4	30	Переключатель	1
13	Резьбовой винт	2	31	Лезвие с зубьями	1
14	Подшипник	1	32	Точилка	1
15	Уплотнительное кольцо	1	33	фиксированный контакт	1
16	Ремённый шкив	1	34	Отвертка	1
17	Ремень	1	35	Кабельный держатель	1
18	Передача двигателя	1	36	Шнековый плунжер	8

RU



## Список деталей для модели 267257



№ детали	Название детали	Кол-во	№ детали	Название детали	Кол-во
1	Кожух лезвия	1	20	Фиксированное кольцо	1
2	Крепежный винт	1	21	Присоединение	1
3	Гладкое лезвие	1	22	Правый корпус	1
4	Масляная прокладка	1	23	Двигатель	1
5	Регулировочный винт	1	24	Винт	2
6	Штифт	1	25	Передача двигателя	1
7	Выходная втулка	1	26	Печатная плата	1
8	Подшипник	1	27	Прокладка	1
9	Стопорное пружинящее кольцо	2	28	Левый корпус	1
10	Винт	4	29	Винт	5
11	Коробка передач	1	30	Шпилька корпуса	2
12	Винт	1	31	Лезвие с зубьями	1
13	Резьбовой винт	2	32	Зарядка	1
14	Подшипник	1	33	Литий-ионный аккумулятор	2
15	Уплотнительное кольцо	1	34	Точилка	1
16	Ремень	1	35	фиксированный контакт	1
17	Ремённый шкив	1	36	Отвертка	1
18	Переключатель	1	37	Запорный винт	2
19	Проставка	2	38	Шнековый плунжер	5

Αγαπητέ πελάτη,

Ευχαριστούμε που αγοράσατε αυτό το προϊόν HENDI. Διαβάστε προσεκτικά το παρόν εγχειρίδιο πριν συνδέσετε τη συσκευή, προκειμένου να προλάβετε πιθανή βλάβη που μπορεί να οφείλεται σε λανθασμένη χρήση. Διαβάστε ιδίως τους κανονισμούς ασφαλείας πολύ προσεκτικά.

## Κανονισμοί ασφαλείας

- Η συσκευή είναι για επαγγελματική χρήση.
- Η συσκευή πρέπει να χρησιμοποιείται μόνο για τον σκοπό για τον οποίο προορίζεται και σχεδιάστηκε. Ο κατασκευαστής δεν ευθύνεται για τυχόν ζημιές που προκλήθηκαν από εσφαλμένη λειτουργία και ακατάλληλη χρήση.
- Κρατήστε τη συσκευή και το βύσμα μακριά από νερό και άλλα υγρά. Σε περίπτωση που η συσκευή πέσει μέσα σε νερό, αφαιρέστε αμέσως το βύσμα από την πρίζα και μην τη χρησιμοποιήσετε μέχρι να ελεγχθεί η συσκευή από πιστοποιημένο τεχνικό. Η μη τήρηση των οδηγιών ενδέχεται να προκαλέσει κίνδυνο προς τη ζωή.
- Μην επιχειρήσετε ποτέ να ανοίξετε μόνοι σας το περίβλημα της συσκευής.
- Μην εισάγετε αντικείμενα στο περίβλημα της συσκευής.
- Μην αγγίζετε το βύσμα με υγρά χέρια.
- ⚠ **Κίνδυνος ηλεκτροπληξίας!** Μην επιχειρήσετε να επισκευάσετε μόνοι σας τη συσκευή. Σε περίπτωση δυσλειτουργίας, οι επισκευές πρέπει να διενεργούνται μόνο από εξειδικευμένο προσωπικό.
- **Μην χρησιμοποιείτε ποτέ συσκευή με βλάβη!** Σε περίπτωση βλάβης, αποσυνδέστε τη συσκευή από την πρίζα και επικοινωνήστε με τον πωλητή.
- **Προειδοποίηση!** Μην βυθίζετε τα ηλεκτρικά μέρη της συσκευής σε νερό ή άλλα υγρά. Μην βάζετε ποτέ τη συσκευή κάτω από τρεχούμενο νερό.
- Ελέγχετε τακτικά το βύσμα και το καλώδιο τροφοδοσίας για τυχόν ζημιές. Εάν το βύσμα ή το καλώδιο τροφοδοσίας είναι κατεστραμμένο, πρέπει να αντικατασταθεί από τεχνικό σέρβις ή εξειδικευμένα άτομα για την αποφυγή τυχόν κινδύνου ή τραυματισμού.
- Βεβαιωθείτε ότι το καλώδιο δεν έρχεται σε επαφή με αιχμηρά ή θερμά αντικείμενα και κρατήστε το μακριά από φωτιά. Για να βγάλετε το βύσμα από την πρίζα, να τραβάτε πάντα το βύσμα και όχι το καλώδιο.
- Βεβαιωθείτε ότι το καλώδιο (ή το καλώδιο επέκτασης) είναι τοποθετημένο έτσι ώστε να μην προκαλέσει κίνδυνο να σκοντάψει κανείς.
- Να προσέχετε πάντα τη συσκευή κατά τη χρήση.
- **Προειδοποίηση!** Όσο το βύσμα είναι στην πρίζα, η συσκευή είναι συνδεδεμένη στην πηγή τροφοδοσίας.
- Απενεργοποιήστε τη συσκευή πριν τραβήξετε το βύσμα από την πρίζα.
- Ποτέ μην μεταφέρετε τη συσκευή από το καλώδιο.
- Μην χρησιμοποιείτε συσκευές που δεν παρέχονται μαζί με τη συσκευή.
- Συνδέστε τη συσκευή μόνο σε ηλεκτρική πρίζα με τάση και συχνότητα που αναφέρονται στην ετικέτα της συσκευής.


GR



- Συνδέστε το βύσμα σε μια εύκολα προσβάσιμη ηλεκτρική πρίζα έτσι ώστε σε περίπτωση έκτακτης ανάγκης η συσκευή να μπορεί να αποσυνδεθεί αμέσως. Για να απενεργοποιήσετε πλήρως τη συσκευή, βγάλτε το βύσμα από την πρίζα.
- Απενεργοποιείτε πάντα τη συσκευή πριν αποσυνδέσετε το βύσμα.
- Μην χρησιμοποιείτε ποτέ εξαρτήματα διαφορετικά από αυτά που συνιστώνται από τον κατασκευαστή. Σε αντίθετη περίπτωση, μπορεί να δημιουργηθεί κίνδυνος για τον χρήστη και να προκληθεί ζημιά στη συσκευή. Χρησιμοποιείτε μόνο αυθεντικά εξαρτήματα και αξεσουάρ.
- Αυτή η συσκευή δεν προορίζεται για χρήση από άτομα (συμπεριλαμβανομένων παιδιών) με μειωμένες σωματικές, αισθητήριες ή διανοητικές ικανότητες ή με έλλειψη πείρας και γνώσης.
- Αυτή η συσκευή δεν πρέπει, σε καμία περίπτωση, να χρησιμοποιείται από παιδιά.
- Κρατήστε τη συσκευή και το καλώδιο μακριά από παιδιά.
- Να αποσυνδέετε πάντα τη συσκευή από το ρεύμα εάν αφήνεται χωρίς επιτήρηση ή δεν χρησιμοποιείται και πριν από εργασίες συναρμολόγησης, αποσυναρμολόγησης ή καθαρισμού.
- Μην αφήνετε ποτέ τη συσκευή χωρίς επιτήρηση ενώ βρίσκεται σε λειτουργία.

## Ειδικοί κανονισμοί ασφαλείας

- Το ηλεκτρικό μαχαίρι κοπής γύρου είναι μια φορητή συσκευή που διαθέτει έναν μηχανικό κόφτη.
- Η συσκευή προορίζεται μόνο για κοπή ψητού κρέατος για επαγγελματική και εμπορική χρήση.
- Χρησιμοποιείτε τη συσκευή μόνο όπως περιγράφεται στο εγχειρίδιο.
- Η συσκευή πρέπει να χρησιμοποιείται από εξειδικευμένο, εκπαιδευμένο προσωπικό κουζίνας του κλάδου της εστίασης, όπως υπηρεσίες τροφοδοσίας, εστιατόρια, μπαρ κλπ.
- Όλες οι εργασίες συντήρησης και επισκευής πρέπει να εκτελούνται από εξειδικευμένους εξουσιοδοτημένους τεχνικούς.
- Κατά τη διάρκεια χρήσης της συσκευής, να φοράτε προστατευτική ενδυμασία, μάσκα ή προστατευτικά γυαλιά (δεν παρέχονται) εάν χρειάζεται.
- **ΠΡΟΕΙΔΟΠΟΙΗΣΗ:** Προσέχετε ιδιαίτερα όταν χειρίζεστε τον κόφτη στη διάρκεια της χρήσης.
- Χρησιμοποιείτε τη συσκευή μόνο με σωστά τοποθετημένους τον κόφτη και το προστατευτικό του, καθώς και τον δακτύλιο ρύθμισης.
- ΜΗΝ χρησιμοποιείτε τη συσκευή με φθαρμένο προστατευτικό κόφτη ή φθαρμένο δακτύλιο ρύθμισης.
- **ΠΡΟΕΙΔΟΠΟΙΗΣΗ:** Πριν από τον καθαρισμό, τη συντήρηση ή την αποθήκευση, να απενεργοποιείτε **ΠΑΝΤΑ** τη συσκευή και να την αποσυνδέετε από την παροχή ρεύματος.
- **ΠΡΟΕΙΔΟΠΟΙΗΣΗ!** Διατηρείτε **ΠΑΝΤΑ** χέρια, δάκτυλα, μακριά μαλλιά και ενδύματα μακριά από τον κόφτη.
- **ΠΡΟΕΙΔΟΠΟΙΗΣΗ!** ΜΗΝ στρέφετε τη συσκευή προς άλλα άτομα κατά τη διάρκεια της χρήσης.
- **Προσοχή!** Στερεώστε, εάν είναι απαραίτητο, το καλώδιο τροφοδοσίας για να αποφύγετε τυχόν ακούσιο τράβηγμα της συσκευής.

- ΜΗΝ χρησιμοποιείτε τη συσκευή συνεχόμενα για πολλή ώρα για την αποφυγή υπερθέρμανσης του κινητήρα. Ο μέγιστος χρόνος συνεχούς λειτουργίας είναι 15-20 λεπτά. Χρησιμοποιήστε ξανά την συσκευή μόνο αφού κρυώσει.
- Διατηρείτε το καλώδιο ρεύματος μακριά από πηγές θερμότητας, λάδια, αιχμηρά άκρα ή κινούμενα εξαρτήματα της συσκευής.
- Ελέγχετε τακτικά εάν τα κινούμενα εξαρτήματα λειτουργούν σωστά και βεβαιωθείτε ότι δεν παρουσιάζεται εμπλοκή.
- Χρησιμοποιείτε τη συσκευή σε καθαρό, τακτοποιημένο χώρο εργασίας και τηρείτε τους κανονισμούς υγιεινής κάθε χώρας.
- Μην πλένετε τη συσκευή με νερό ή εκτοξευτήρα νερού. Το πλύσιμο με νερό μπορεί να προκαλέσει διαρροές και να αυξήσει τον κίνδυνο ηλεκτροπληξίας. Τα εξαρτήματα δεν είναι κατάλληλα για πλυντήριο πιάτων.
- Μην καθαρίζετε ή αποθηκεύετε τη συσκευή εάν δεν έχει κρυώσει ή σταματήσει πλήρως.
-  Το προϊόν 267240 ταξινομείται ως συσκευή προστασίας κατηγορίας II.
- Το προϊόν 267257 φορτίζεται με τον φορτιστή που παρέχεται.

### Προβλεπόμενη χρήση

- Η συσκευή προορίζεται για επαγγελματική χρήση.
- Η συσκευή έχει σχεδιαστεί αποκλειστικά για την κοπή ψημένου κρέατος σε επαγγελματικές συνθήκες. Οποιαδήποτε άλλη χρήση μπορεί να προκαλέσει ζημιά στη συσκευή ή τραυματισμό.
- Η χρήση της συσκευής για οποιονδήποτε άλλο σκοπό θεωρείται εσφαλμένη. Ο χρήστης είναι αποκλειστικά υπεύθυνος για την μη κατάλληλη χρήση της συσκευής.

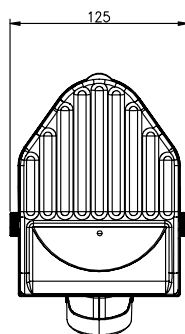
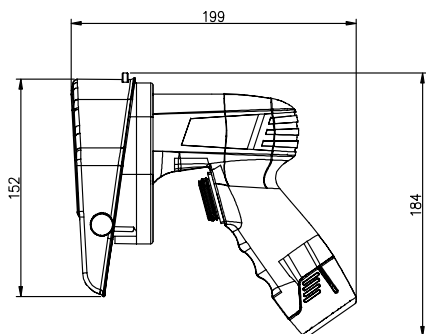
GR

### Περιγραφή προϊόντος

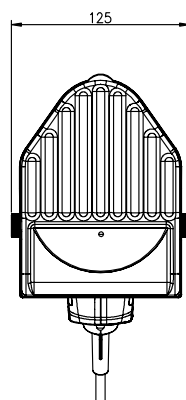
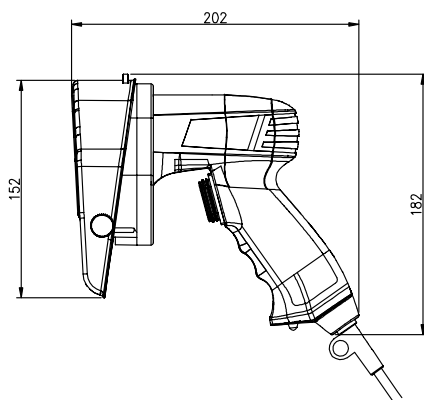


## Κύριες τεχνικές παράμετροι

267257



267240



GR

Μονάδα: mm

Προϊόν	267257	267240
Τάση	Μπαταρία 12Vdc	230V~/50Hz
Ισχύς	80W	
Μήκος κόφτη	∅ 100mm	
Πάχος κοπής	0~8mm	
Μέγεθος	199x114x184mm	194x113x173mm
Επίπεδο θορύβου	< 85 dB (A)	
Κατηγορία προστασίας	Κατηγορία II	
Κλάση προστασίας νερού	IPX4	

**Σημείωση:** ΜΗΝ χρησιμοποιείτε τη συσκευή συνεχόμενα για πολλή ώρα για την αποφυγή υπερθέρμανσης του κινητήρα.

Ο μέγιστος χρόνος συνεχούς λειτουργίας είναι 15-20 λεπτά.

Χρησιμοποιήστε ξανά την συσκευή μόνο αφού κρυώσει.





## Αντικατάσταση κυκλικού κόφτη

### Κίνδυνος θανάτου

Λόγω τυχαίας εκκίνησης του ηλεκτρικού μαχαιριού κοπής γύρου

- Αποσυνδέστε το μαχαίρι κοπής από την τροφοδοσία ρεύματος.

### Κίνδυνος τραυματισμού!

Ο κόφτης είναι αιχμηρός.

Υπάρχει κίνδυνος σοβαρών τραυματισμών.

- Αφαιρέστε προσεκτικά τον κόφτη.



Αφαιρέστε το προστατευτικό κόφτη



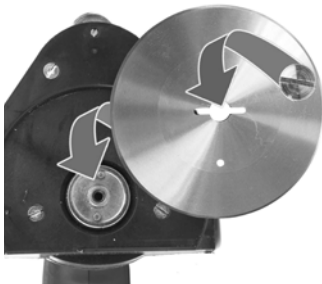
Αφαιρέστε τον κόφτη

### ΠΡΟΣΟΧΗ: Δυσλειτουργία!

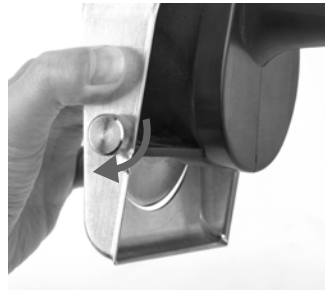
Εσφαλμένη τοποθέτηση του κόφτη.

Δεν επιτρέπει τη σωστή λειτουργία του κόφτη.

- Τοποθετείτε πάντα τον κόφτη με το αιχμηρό άκρο προς τον κινητήρα.



Τοποθετήστε τον νέο κόφτη και βιδώστε τον δίσκο συγκράτησης με τη βίδα στερέωσης.



Τοποθετήστε το προστατευτικό κόφτη.



## Κοπή κρέατος

Το κρέας ψήνεται από έξω προς τα μέσα. Το εσωτερικό του κρέατος είναι ακόμη ωμό.

Μπορείτε να ρυθμίσετε πάχος κοπής από 0,5 έως 8 mm.

- Για να το κάνετε αυτό, γυρίστε τη βίδα ρύθμισης προς τα αριστερά (μεγαλύτερο) ή προς τα δεξιά (μικρότερο).

## ΠΡΟΕΙΔΟΠΟΙΗΣΗ: Κίνδυνος τραυματισμού!

- Βεβαιωθείτε ότι το προστατευτικό κόφτη είναι σωστά τοποθετημένο
- Χρησιμοποιήστε μια σταθερή βάση και στάση
- Χρησιμοποιείτε πάντα τη συσκευή από πάνω προς τα κάτω

- Κόβετε μόνο ψτό κρέας
- Ενεργοποιείτε το ηλεκτρικό μαχαίρι κοπής γύρου μόνο αφού έχει ακουμπήσει στο κρέας



## Προστασία από υπερθέρμανση (Για το προϊόν: 267240)

Έχετε υπόψη ότι το κουμπί RESET (Επαναφορά) για προστασία από την υπερθέρμανση βρίσκεται κάτω από τη λαβή.

- Αποσυνδέστε πρώτα τη συσκευή από την πρίζα.
- Αφήστε τη συσκευή να κρυώσει.

- Πατήστε το κουμπί RESET (Επαναφορά) κάτω από τη λαβή
- Συνδέστε τη συσκευή στην πρίζα και είναι πάλι έτοιμη για χρήση.

GR

## Υγιεινή / Καθαρισμός

### Οδηγίες υγιεινής

Γενικές οδηγίες υγιεινής:

- Πλένετε τα χέρια σας προτού και αφού πιάσετε τρόφιμα.
- Τοποθετείτε αδιάβροχο επίδεσμο σε ανοικτές πληγές.
- Μην πιάνετε τρόφιμα με γυμνά χέρια.
- Καθαρίζετε και απολυμαίνετε καθημερινά όλες τις συσκευές.

### Καθαρισμός

Προσοχή! Να αποσυνδέετε πάντα τη συσκευή από την πρίζα και να την αφήνετε να κρυώνει τελείως πριν την καθαρίσετε και την αποθηκεύσετε.

- Καθαρίζετε τη συσκευή μετά από κάθε χρήση.
- Μην βυθίζετε τη συσκευή στο νερό.

**ΠΡΟΕΙΔΟΠΟΙΗΣΗ!** Προσέχετε ιδιαίτερα κατά τον καθαρισμό. Ο κόφτης είναι αιχμηρός. Υπάρχει κίνδυνος σοβαρών τραυματισμών.

- Αφαιρέστε προσεκτικά τον κόφτη.
- Καθαρίστε τον κόφτη και το προστατευτικό με καθαριστικά βοηθήματα, όπως σφουγγάρια και βούρτσες.
- Ψεκάστε όλες τις επιφάνειες με καθαριστικό λίπους και απολυμαντικό και αφήστε τα προϊόντα να

### Χειρισμός τροφίμων:

- Ψήνετε το κρέας σε θερμοκρασία τουλάχιστον 70°C.
- Φυλάσσετε το κρέας σε θερμοκρασία κάτω των 5°C ή στην κατάψυξη (κάτω των -18°C).
- Αποφύγετε την επαφή ωμού και μαγειρεμένου κρέατος.

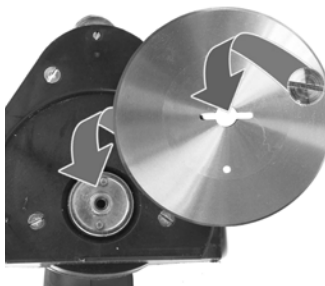
δράσουν για τουλάχιστον 5 λεπτά.

- Ξεπλύνετε τα καθαριστικά από το ηλεκτρικό μαχαίρι κοπής γύρου και το προστατευτικό κόφτη με ένα νωπό πανί. Στεγνώστε τα εξαρτήματα και συναρμολογήστε τα.

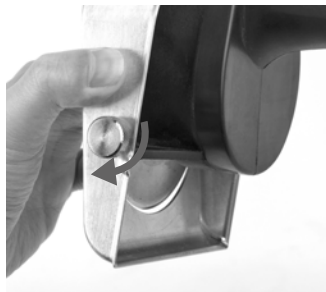




Στεγνώστε το κυρίως σώμα.



Τοποθετήστε τον νέο κόφτη και βιδώστε τον δίσκο συγκράτησης με τη βίδα στερέωσης.



Τοποθετήστε το προστατευτικό κόφτη.

Καθαρίστε τον κόφτη και το σώμα πριν το τρόχισμα. Μετά τη διαδικασία τρόχιματος, επαναλάβετε τη διαδικασία καθαρισμού και απολύμανσης.

### Τρόχισμα κόφτη



Τρόχιση τον κυκλικό κόφτη χωρίς δόντια για περίπου 1-2 δευτερόλεπτα σε πολύ επίπεδη γωνία από τη βάση.

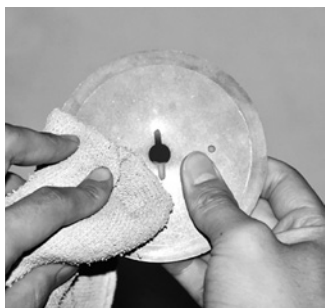


Λειάνετε σύντομα από την πάνω πλευρά.

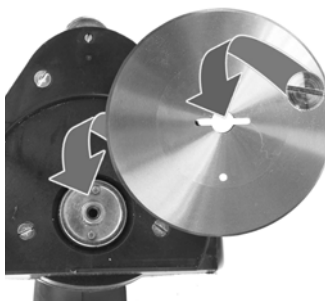


Λειάνετε το κάτω τμήμα από μπροστά

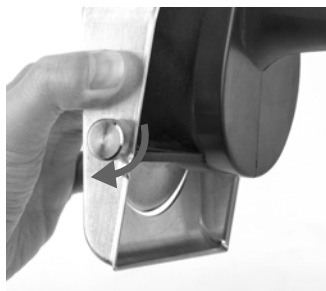
GR



Καθαρίστε τον κόφτη.



Τοποθετήστε τον νέο κόφτη και βιδώστε τον δίσκο συγκράτησης με τη βίδα στερέωσης.



Τοποθετήστε το προστατευτικό κόφτη.



## Για το προϊόν: Μπαταρία και φορτιστής 267257

Τεχνικά χαρακτηριστικά φορτιστή

Είσοδος: 100-240V~ / 50-60Hz

Ισχύς: 20W

Έξοδος: 12Vdc / 1.5A

Χωρητικότητα: 2000 mAh

### Οδηγίες ασφάλειας για τη μπαταρία

- Η μπαταρία πρέπει να αποθηκεύεται και να φορτίζεται σε καλά αεριζόμενο, ξηρό, δροσερό και καθαρό περιβάλλον.
- Μην εκθέτετε τη μπαταρία σε ακραίες θερμοκρασίες, όπως άμεση ηλιακή ακτινοβολία ή φωτιά. Μην τοποθετείτε τη μπαταρία επάνω ή κοντά σε πηγή θερμότητας.
- Για να αποφύγετε τυχόν ακούσια ενεργοποίηση, πριν τοποθετήσετε την μπαταρία βεβαιωθείτε ότι ο διακόπτης ενεργοποίησης/απενεργοποίησης είναι στη θέση εκτός λειτουργίας.
- Μην αποσυνδέετε τη μπαταρία.
- Σε περίπτωση ζημιάς ή/και μη κατάλληλης χρήσης της μπαταρίας, ενδέχεται να εκλυθούν αναθυμιάσεις. Αερίστε τον χώρο και ζητήστε ιατρική βοήθεια σε περίπτωση προβλήματος.

### Οδηγίες ασφάλειας για τον φορτιστή

- Προστατεύετε τον φορτιστή μπαταρίας από βροχή και υγρασία.
- Μην χρησιμοποιείτε αυτόν τον φορτιστή για την φόρτιση άλλων μπαταριών.
- Μην χρησιμοποιείτε τον φορτιστή πάνω σε εύφλεκτες επιφάνειες (π.χ. χαρτί, υφάσματα κλπ) ή εκρηκτικό περιβάλλον.
- Λειτουργείτε τον φορτιστή σε καλά αεριζόμενο, ξηρό, δροσερό και καθαρό περιβάλλον.

### Φόρτιση της μπαταρίας

- Χρησιμοποιείτε μόνο τον γνήσιο φορτιστή. Μόνο ο συγκεκριμένος φορτιστής είναι κατάλληλος για την μπαταρία ιόντων λιθίου του ηλεκτρικού μαχαιριού κοπής γύρου.
- Η μπαταρία παρέχεται μερικώς φορτισμένη. Για να εξασφαλίσετε το πλήρες δυναμικό της μπαταρίας, φορτίστε την πλήρως πριν χρησιμοποιήσετε για πρώτη φορά το ηλεκτρικό μαχαίρι κοπής γύρου.
- Μην επιτρέπετε σε παιδιά να αντικαθιστούν ή να φορτίζουν την μπαταρία.
- Μπορείτε να φορτίζετε τη μπαταρία ανά πάσα στιγμή χωρίς να μειωθεί η διάρκεια ζωής της. Η διακοπή της διαδικασίας φόρτισης δεν φθείρει την μπαταρία.









- Όταν η μπαταρία είναι ελαττωματική, υπάρχει πιθανότητα διαρροής υγρών και επαφής με τα παρακείμενα εξαρτήματα. Ελέγξτε κάθε επηρεαζόμενο εξάρτημα.
- Χρησιμοποιείτε την μπαταρία μόνο με το ηλεκτρικό μαχαίρι κοπής γύρου.
- Χρησιμοποιήστε μόνο τον παρεχόμενο φορτιστή για να φορτίσετε την μπαταρία. ΜΗΝ χρησιμοποιείτε άλλο φορτιστή για να φορτίσετε την μπαταρία.
- Μην συνθλίβετε, ρίχνετε ή φθείρετε την μπαταρία. Μην χρησιμοποιείτε μπαταρία ή φορτιστή που έχουν πέσει κάτω ή έχουν δεχθεί ισχυρό πλήγμα. Οι φθαρμένες μπαταρίες παρουσιάζουν κίνδυνο έκρηξης. Απορρίψτε άμεσα και κατάλληλα μπαταρίες που έχουν πέσει κάτω ή υποστεί φθορές.

- Συνδέστε τον φορτιστή στην κατάλληλη τάση για τη λειτουργία του.
- Για να μειώσετε τον κίνδυνο ηλεκτροπληξίας, πριν προβείτε σε οποιαδήποτε εργασία συντήρησης ή καθαρισμού, αποσυνδέστε τον φορτιστή από την πρίζα.
- Μετά την φόρτιση, αποσυνδέστε τον φορτιστή από την πρίζα.
- Μην αγγίζετε το μη μονωμένο τμήμα του συνδέσμου εξόδου ή το μη μονωμένο τερματικό μπαταρίας.

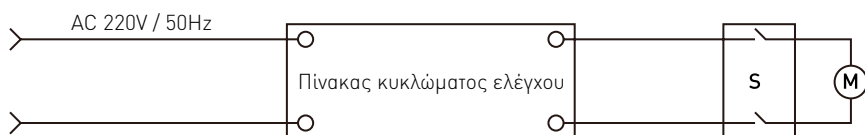
- Για να αφαιρέσετε την μπαταρία, πατήστε το κουμπί απελευθέρωσης της μπαταρίας και τραβήξτε την προς τα έξω. Μην ασκείτε πιέσεις.
- Προσοχή! Εάν η μπαταρία δεν αντικατασταθεί σωστά, υπάρχει κίνδυνος έκρηξης. Αντικαταστήστε την μπαταρία με την παρεχόμενη μπαταρία.

**ΠΡΟΕΙΔΟΠΟΙΗΣΗ:** Μην συνεχίζετε να πιέζετε τον διακόπτη ενεργοποίησης/απενεργοποίησης μετά από αυτόματη απενεργοποίηση της συσκευής. Η μπαταρία μπορεί εύκολα να υποστεί ζημιά.

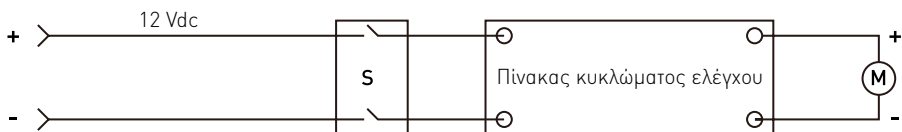
## Λειτουργίες LED φορτιστή

Ένδειξη LED	Μπαταρία	Κόκκινο LED	Πράσινο LED	Ενέργεια
Προετοιμασία για Φόρτιση 		Απενεργοποίηση	Ενεργοποίηση	Προετοιμασία για φόρτιση
 Η μπαταρία θα φορτίσει 	Φόρτιση	Ενεργοποίηση	Απενεργοποίηση	Φόρτιση
 Η μπαταρία είναι φορτισμένη 	Πλήρως φορτισμένη	Απενεργοποίηση	Ενεργοποίηση	Η φόρτιση έχει ολοκληρωθεί. Φόρτιση συντήρησης.
 Η μπαταρία δεν φορτίζεται 	Η μπαταρία δεν φορτίζεται	Ενεργοποίηση/Φλας	Απενεργοποίηση	Καθυστέρηση φόρτισης (υπερβολική θερμότητα) / Ελαττωματική μπαταρία

### Διάγραμμα κυκλώματος (Για το προϊόν 267240)



### Διάγραμμα κυκλώματος (Για το προϊόν 267257)



## Εγγύηση

Οποιοδήποτε ελάττωμα επηρεάζει τη λειτουργικότητα της συσκευής που γίνεται προφανές δύο χρόνια μετά την αγορά της, θα διορθώνεται με δωρεάν επισκευή ή αντικατάσταση, αρκεί η συσκευή να έχει χρησιμοποιηθεί και συντηρηθεί σύμφωνα με τις οδηγίες και να μην έχει γίνει κατάχρηση ή λανθασμένη χρήση της με οποιοδήποτε τρόπο. Δε θίγονται τα νόμιμα δικαιώματά σας. Εάν η συσκευή υποστηρίζεται

από εγγύηση, δηλώστε πού και πότε έχει αγοραστεί και συμπεριλάβετε την απόδειξη αγοράς (π.χ. απόδειξη λιανικής πώλησης).

Σύμφωνα με την πολιτική μας για τη συνεχή εξέλιξη των προϊόντων μας, διατηρούμε το δικαίωμα να αλλάξουμε το προϊόν, τη συσκευασία και τις προδιαγραφές τεκμηριωσής του χωρίς προειδοποίηση.

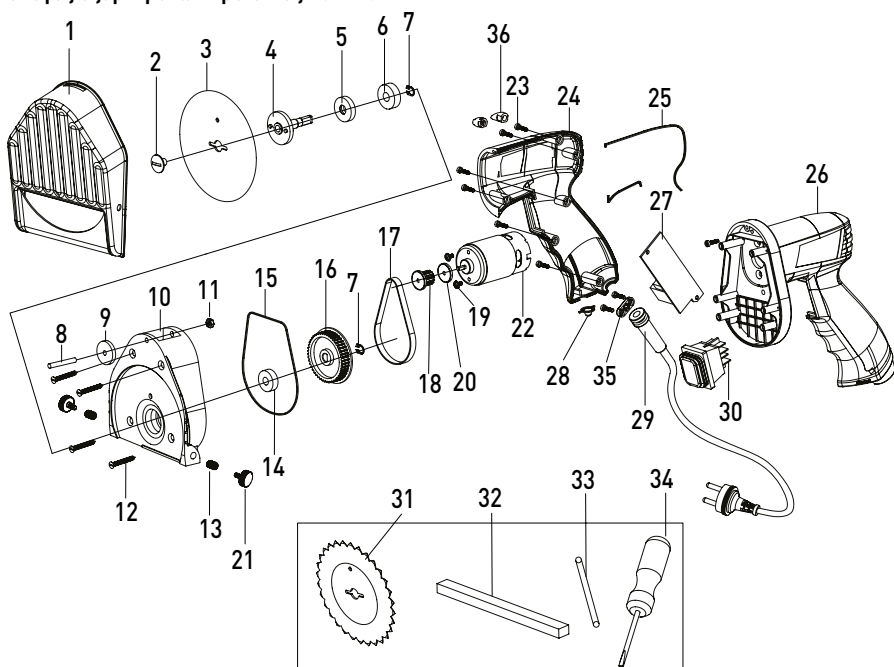
## Απόρριψη & Περιβάλλον

Η συσκευή, μετά το πέρας της διάρκειας ζωής της, δεν πρέπει να απορρίπτεται ως οικιακό απόρριμμα. Πρέπει να απορρίπτεται, με δική σας ευθύνη, σε καθορισμένο σημείο συλλογής. Η μη τήρηση αυτού ενδέχεται να τιμωρείται σύμφωνα με τους ισχύοντες κανονισμούς για τη διάθεση των απορριμμάτων. Η χωριστή συλλογή και ανακύκλωση αυτής της συσκευής κατά τη στιγμή της απόρριψης βοηθά στη διατήρηση των φυσικών πόρων και εξασφαλίζει την ανακύ-

κλωσή της με τρόπο που προστατεύει την ανθρώπινη υγεία και το περιβάλλον. Για περισσότερες πληροφορίες σχετικά με το πού μπορείτε να απορρίψετε τη συσκευή για ανακύκλωση, επικοινωνήστε με την τοπική εταιρεία συλλογής απορριμμάτων. Οι κατασκευαστές και οι εισαγωγείς δεν αναλαμβάνουν την ευθύνη ανακύκλωσης, επεξεργασίας και οικολογικής διάθεσης, είτε άμεσα είτε μέσω δημόσιου συστήματος.



## Κατάλογος εξαρτημάτων προϊόντος 267240

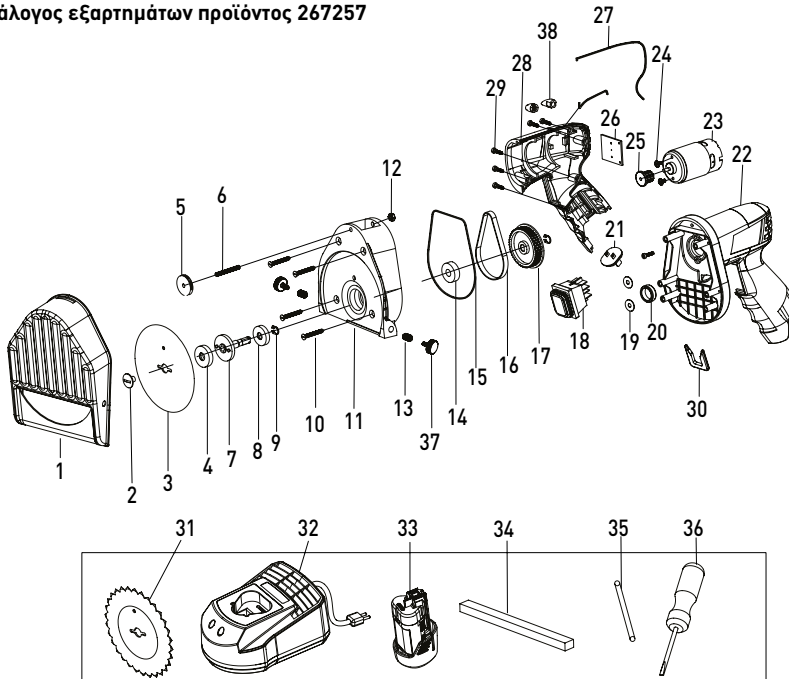


GR

Αρ. εξαρτήματος	Όνομα εξαρτήματος	Ποσότητα	Αρ. εξαρτήματος	Όνομα εξαρτήματος	Ποσότητα
1	Προστατευτικό κόφτη	1	19	Βίδα	2
2	Βίδα στερέωσης	1	20	Προστατευτικός δακτύλιος	2
3	Λείος κόφτης	1	21	Βίδα κλειδώματος	1
4	Άξονας εξόδου	1	22	Κινητήρας	1
5	Σφράγισμα λαδιού	1	23	Βίδα	7
6	Ρουλεμάν	1	24	Αριστερό περίβλημα	1
7	Ασφάλεια	2	25	Σφράγισμα	2
8	Μπουλόνι	1	26	Δεξί περίβλημα	1
9	Βίδα ρύθμισης	4	27	Πλακέτα κυκλώματος	1
10	Κιβώτιο γκραναζιών	1	28	Καπάκι επαναφοράς	1
11	Βίδα	1	29	Καλώδιο τροφοδοσίας + ανακούφιση καταπόνησης	1
12	Βίδα	4	30	Διακόπτης	1
13	Βίδα με σπειρώμα	2	31	Οδοντωτός κόφτης	1
14	Ρουλεμάν	1	32	Πέτρα τροχίσματος	1
15	Δακτύλιος σφραγίσματος	1	33	Καρφι στερέωσης	1
16	Τροχαλία	1	34	Κατσαβίδι	1
17	Ιμάντας	1	35	Βάση στήριξης καλωδίων	1
18	Γρανάζι κινητήρα	1	36	Βίδα έμβολο	8



## Κατάλογος εξαρτημάτων προϊόντος 267257



Αρ. εξαρτήματος	Όνομα εξαρτήματος	Ποσότητα	Αρ. εξαρτήματος	Όνομα εξαρτήματος	Ποσότητα
1	Προστατευτικό κόφτη	1	20	Σταθερός δακτύλιος	1
2	Βίδα στερέωσης	1	21	Τερματικό	1
3	Λείος κόφτης	1	22	Δεξί περιβλήμα	1
4	Σφράγισμα λαδιού	1	23	Μοτέρ	1
5	Βίδα ρύθμισης	1	24	Βίδα	2
6	Μπουλόνι	1	25	Γρανάζι κινητήρα	1
7	Άξονας εξόδου	1	26	Πλακέτα κυκλώματος	1
8	Ρουλεμάν	1	27	Σφράγισμα	1
9	Ασφάλεια	2	28	Αριστερό περίβλημα	1
10	Βίδα	4	29	Βίδα	5
11	Κιβώτιο γραναζιών	1	30	Μπουλόνι περιβλήματος	2
12	Βίδα	1	31	Οδοντωτός κόφτης	1
13	Βίδα με σπειρώμα	2	32	Φορτιστής	1
14	Ρουλεμάν	1	33	Μπαταρία ιόντων λιθίου	2
15	Δακτύλιος σφραγίσματος	1	34	Πέτρα τροχίσματος	1
16	Ιμάντας	1	35	Καρφί στερέωσης	1
17	Τροχαλία	1	36	Κασαβίδι	1
18	Διακόπτης	1	37	Βίδα κλειδώματος	2
19	Προστατευτικός δακτύλιος	2	38	Βίδα έμβολο	5

GR





# HENDI

Tools for Chefs

## Hendi B.V.

Steenoven 21  
3911 TX Rhenen, The Netherlands  
**Tel:** +31 (0)317 681 040  
**Email:** info@hendi.eu

## Hendi Polska Sp. z o.o.

ul. Magazynowa 5  
62-023 Gądk, Poland  
**Tel:** +48 61 6587000  
**Email:** info@hendi.pl

## Hendi Food Service Equipment GmbH

Gewerbegebiet Ehring 15  
5112 Lamprechtshausen, Austria  
**Tel:** +43 (0) 6274 200 10 0  
**Email:** office.austria@hendi.eu

## Hendi UK Ltd.

Central Barn, Hornby Road  
Lancaster, LA2 9JX, United Kingdom  
**Tel:** +44 (0)333 0143200  
**Email:** sales@hendi.co.uk

## Hendi Food Service Equipment Romania Srl

Str. 13 decembrie 94A, Hala 14  
Braşov, 500164, Romania  
**Tel:** +40 268 320330  
**Email:** office@hendi.ro

## PKS Hendi South East Europe SA

5 Metsovou Str.  
18346 Moschato, Athens, Greece  
**Tel:** +30 210 4839700  
**Email:** office.greece@hendi.eu

## Hendi HK Ltd.

1208, 12/F Exchange Tower  
33 Wang Chiu Road, Kowloon Bay, Hong Kong  
**Tel:** +852 2154 2618  
**Email:** info-hk@hendi.eu

## Find Hendi on internet:

[www.hendi.eu](http://www.hendi.eu)  
[www.facebook.com/HendiFoodServiceEquipment](https://www.facebook.com/HendiFoodServiceEquipment)  
[www.linkedin.com/company/hendi-food-service-equipment-b.v.](https://www.linkedin.com/company/hendi-food-service-equipment-b.v.)  
[www.youtube.com/HendiEquipment](https://www.youtube.com/HendiEquipment)

- Changes, printing and typesetting errors reserved.
- Änderungen und Druckfehler vorbehalten.
- Wijzigingen en drukfouten voorbehouden.
- Producent zastrzega sobie prawo do zmian oraz błędów drukarskich w instrukcji.
- Variations et fautes d'impression réservés.

- Errori di cambiamenti, di stampa e di impaginazione riservati.
- Drepturi rezervate cu privire la modificări și greșeli de imprimare.
- Изменения, печати и верстки ошибки защищены.
- Με επιφύλαξη αλλαγών, λαθών εκτύπωσης και στοιχειοθεσίας.