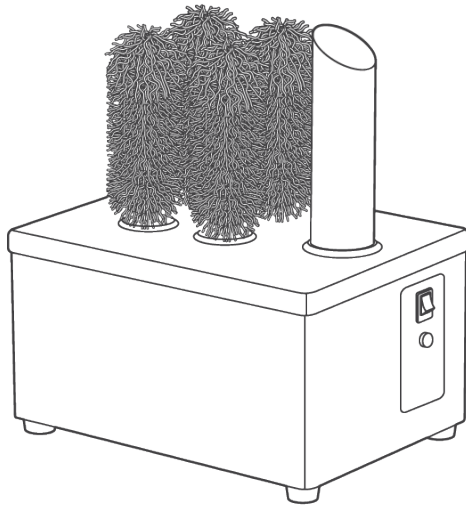




GEBRUIKSHANDLEIDING
USER MANUAL



GLASS POLISHER

Model: 09380000
09380001



READ THIS USER MANUAL CAREFULLY BEFORE USING
LEES VOOR GEBRUIK DEZE HANDLEIDING AANDACHTIG DOOR



TABLE OF CONTENTS

Introduction	3
Specifications	3
Features	4
Safety Guidelines	5
First Time Use	6
Installation	6
Operation	6
Cleaning and Maintenance.....	7
Guarantee	8



INTRODUCTION

Thank you for purchasing this Maxima product. To ensure optimal and safe use, please read these instructions completely before attempting to install or use this product

All Maxima products are manufactured with great care and are CE certified. As a result, our products meet the legal requirements within the European Union with regard to safety, health and the environment. In addition, our products are tested and inspected prior to shipment to ensure product quality and safety.

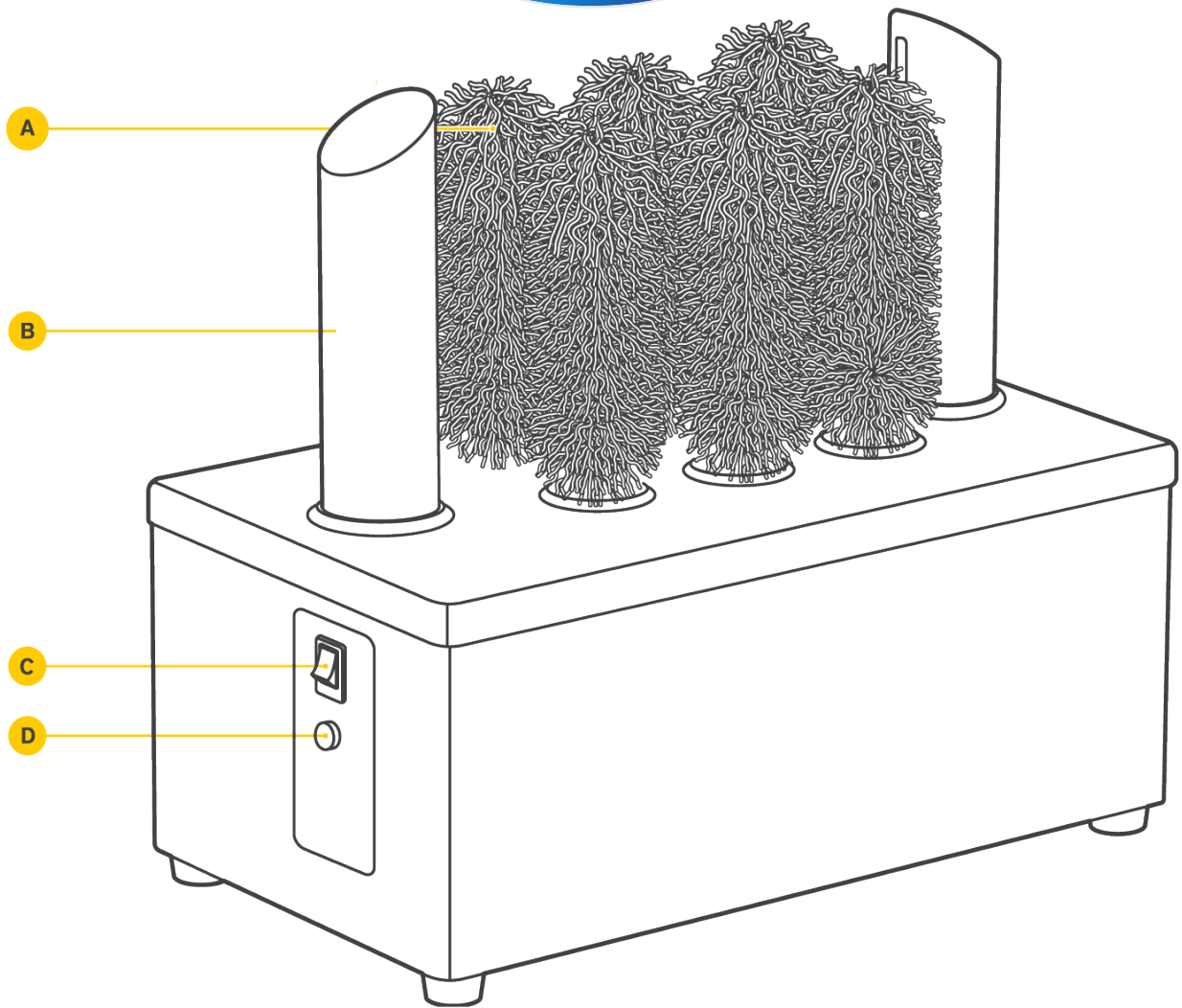
At Maxima we are very proud of our products and are completely committed to providing you with the best products and service possible. Your satisfaction is our number one priority.

We trust you will enjoy using this product and Thank You for choosing Maxima Kitchen Equipment as your supplier. We hope you will consider Maxima for your future purchases.

SPECIFICATIONS

Product: MAXIMA GLASS POLISHER

Model	Dimensions (cm)	Weight (kg)	Power (kW)	Electrical Input	Fuse (A)	Capacity Pieces / h
09380000	W59 x H34 x D50	27	2,6	220-240V 50Hz/1 Phase	16	600 - 720
09380001	W36 x H32 x D50	20	1,5	220-240V 50Hz/1 Phase	10	300 - 360




FEATURES

- A** Rotating Tassles
- B** Hot air blowers
- C** On / Off Button
- D** Fuse


SAFETY GUIDELINES

This machine may only be used for the purpose for which it was designed and intended. The manufacturer and supplier are not liable for any damage caused by incorrect operation and improper use.

- This is a commercial product and must only be used by a trained professional who has read and fully understands this manual. It must not be used (without supervision) by children or persons with reduced physical, sensory or mental capabilities.
- This device is intended for indoor use only.

 Keep the machine and electrical plug away from water and other liquids. If either is exposed to a liquid, immediately disconnect the power supply and have the machine checked by a certified technician. Not following these instructions may cause electric shock, or even death.

- Do not use the machine after it has fallen or is damaged in any other way. Have it checked and repaired by a certified technician.
- Never move or carry the machine by the power cord.

 Do not open the casing or try to repair the machine yourself (unless instructed). This may void warranty or cause damage and hazardous situations.

- Do not insert any objects in the casing or openings of the machine.
- Do not use any extra devices or accessories that are not supplied along with the machine.
- Never put your hands or other body parts near the moving parts of the machine while operational.
- Always keep an eye on the machine when in use.
- Keep all packaging away from children and dispose of packaging in accordance with local, state and national regulations.
- Avoid overloading the machine.
- The electrical installation must satisfy the applicable local, state and national regulations.
- Switch off the machine before pulling the power plug out of the socket.
- Always disconnect the power supply when the machine is not in use. To pull the plug out of the socket, always pull on the plug and not on the cable.
- Do not touch the power plug with wet or damp hands.
- Keep the power cable away from operating range and do not cover the cable. Also make sure the power cable does not come in contact with sharp or hot objects and keep away from open fire.

 As long as the power plug is in the electrical socket the machine is connected to the electric grid.

FIRST TIME USE

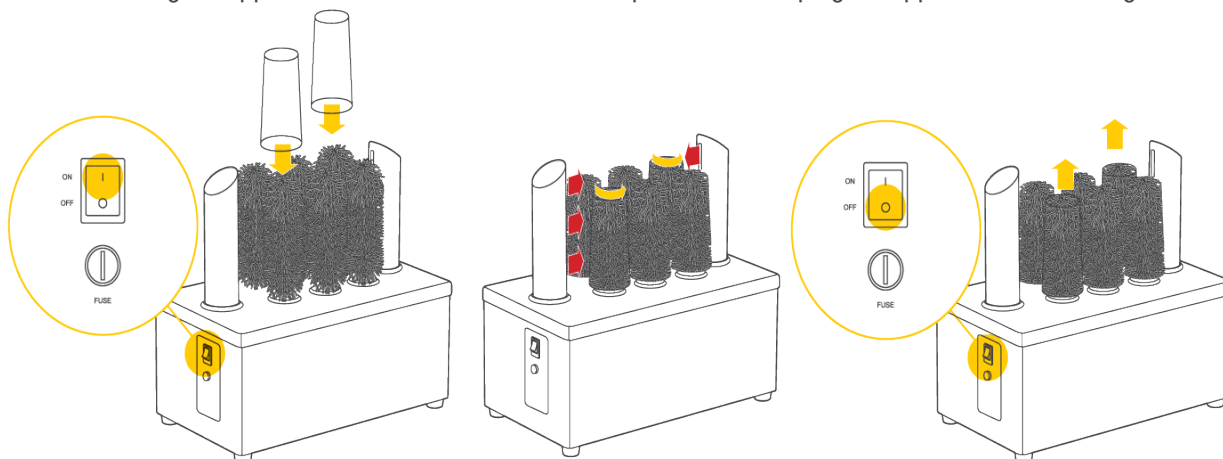
- Unpack and inspect your product immediately after receipt. If there are any latent defects or damage to the machine then immediately contact your supplier. Save all packaging materials in case the machine needs to be returned or inspected by the freight carrier.
- Remove any protective film from all surfaces (if applicable).
- Read this instruction manual completely before attempting to install and operate this appliance. When in doubt, contact your supplier.
- Before using the appliance for the first time, it is recommended to properly clean it (view chapter "Cleaning and Maintenance").

INSTALLATION

- 1 The appliance must be positioned on a flat and stable surface.
- 2 Choose a surface where the appliance is not exposed to direct sunlight, or close to a direct source of heat such as a cooker, oven or radiator.
- 3 When positioning the appliance, maintain a distance of 10cm (4 inches) between the appliance and walls or other objects for ease of use.
- 4 Position the appliance in such a way that the plug is accessible at all times.
- 5 Plug the power cord into a grounded and compatible socket.

OPERATION

- 1 Use the switch located on the control panel to activate the appliance.
 - 2 Once the tassels start spinning, place and hold the cleaned glasses over the tassels one by one.
- ⚠ Only polish clean glasses to avoid making the tassels dirty with any leftover residue.
- ⚠ Only polish a maximum of 2 glasses at the time and always hold the glass while the appliance is operating.
- i** The stainless steel pipes blow hot air towards the tassels to dry the glasses and tassels while the appliance is operating.
- 3 Remove the glasses when dry and repeat this process until finished.
 - 4 After using the appliance set the switch to the "OFF" position and unplug the appliance if it's no longer in use.



CLEANING AND MAINTENANCE

- Maintenance and repairs should only be done by a certified technician.
- Regularly check and clean the machine, its parts and accessories.
- Regularly check the power plug and power cable for damage. If either is damaged do not use the machine. Instead, have it repaired by a certified electrical engineer.
- Remove the tassels to clean and dry separately.
- Always switch off and disconnect the power supply before cleaning or maintenance.
- Follow applicable food safety guidelines when cleaning machines and tools used in the food industry.
- ⚠ Never use aggressive cleaning agents or abrasives. Do not use solvents or petrol based cleaning agents. Some cleaning agents may leave harmful residues or cause damage to the machine. Use a proper and food-safe cleaning product instead.
- ⚠ Do not use any scourer and sharp or pointed objects during cleaning, this may cause damage to the machine.
- ⚠ Never hose down the machine or immerse it in water (or any other liquid). Also do not use a steamer to clean the machine.
- ⚠ Never let the power cable or power plug get wet or damp.
- Clean the appliance using a damp soft cloth with water and mild detergent mixture.



GUARANTEE

Thank you for using our products. Our company applies the terms as set out in our "Algemene Voorwaarden" and will provide service when you can provide a valid purchase invoice.

We provide a 12-month warranty from the date of purchase. During the warranty period, our company is responsible to deliver spare parts in case of; material defects, manufacturing defects or quality issues. However, only with correct use and use of original parts.

The following is not covered by warranty:

- 1 Damage due to transportation or incorrect installation and connection.
- 2 Component damage caused by incorrect electrical or water connection.
- 3 Damage as a result of disassembly and/or modifications to the original machine without prior permission.
- 4 Damage as a result of misuse, poor cleaning or improper maintenance.
- 5 Damage as a result of fire, collapse, lightning strikes, flooding, power surges, vermin and other similar events.
- 6 Failure to read or follow the user manual.
- 7 Consumables and wearing parts.
- 8 An altered invoice or no invoice.



WWW.MAXIMA.COM
INFO@MAXIMA.COM
+31 (0) 297 253 969

OFFICE & SHOWROOM:

NIJVERHEIDSWEG 19F
3641 RP MIJDRECHT
THE NETHERLANDS

**SPARE PART WAREHOUSE &
TECHNICAL SERVICE DEPARTMENT:**

NIJVERHEIDSWEG 23C
3641 RP MIJDRECHT
THE NETHERLANDS