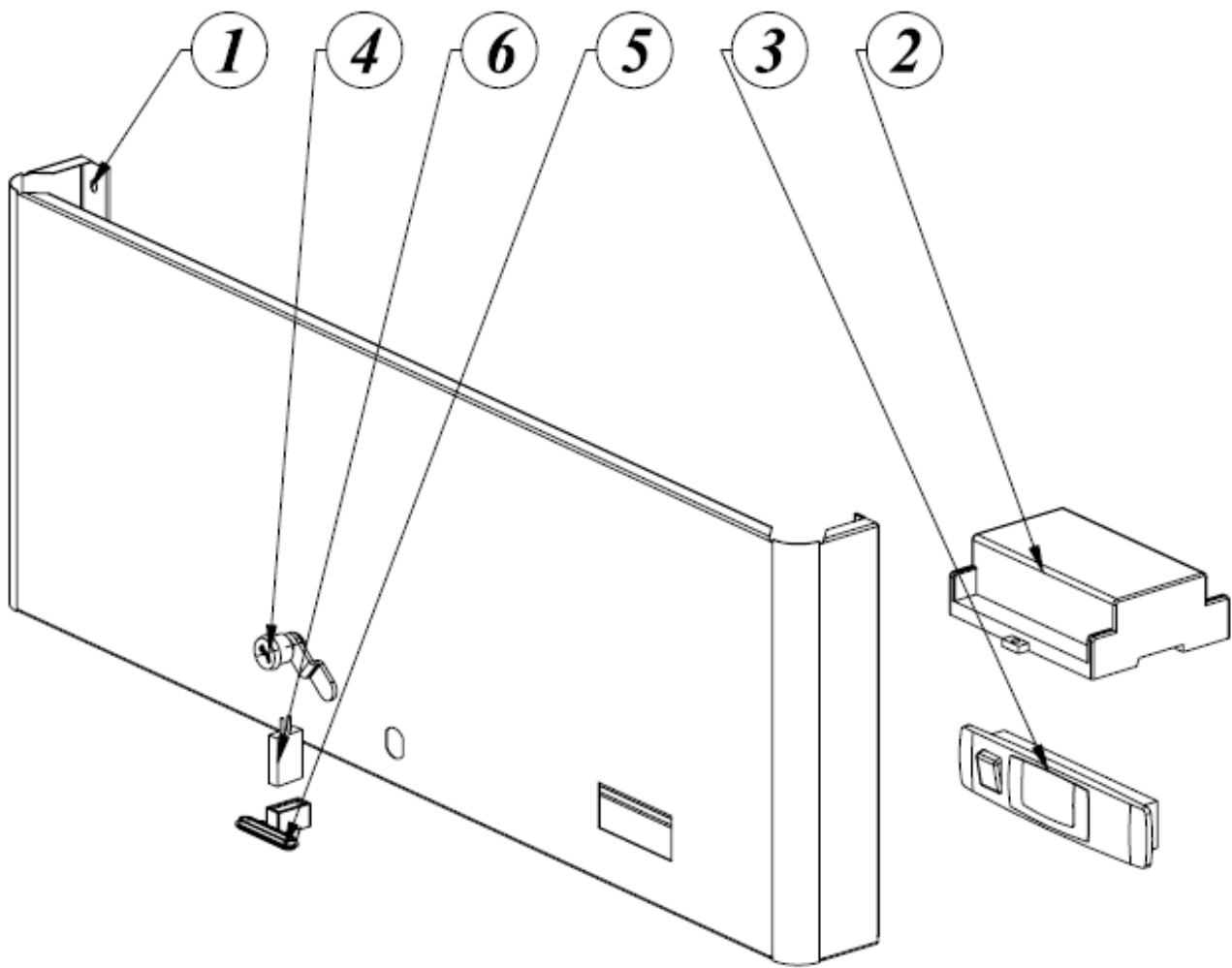


Ersatzteilliste-Explosionszeichnung

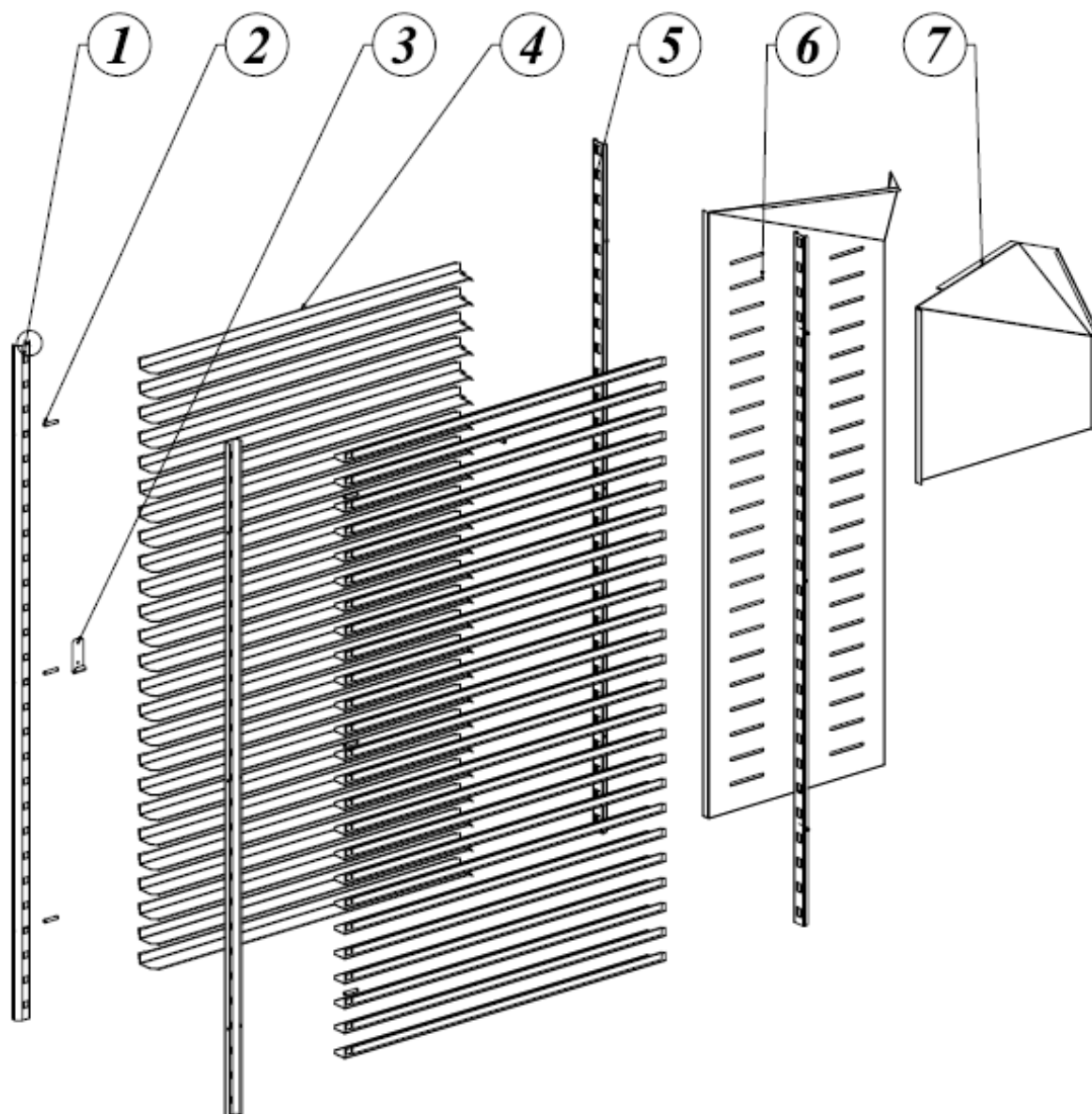
COOL-LINE Backwarentiefkühlschrank **BLF 600**

[Art. 447800600]

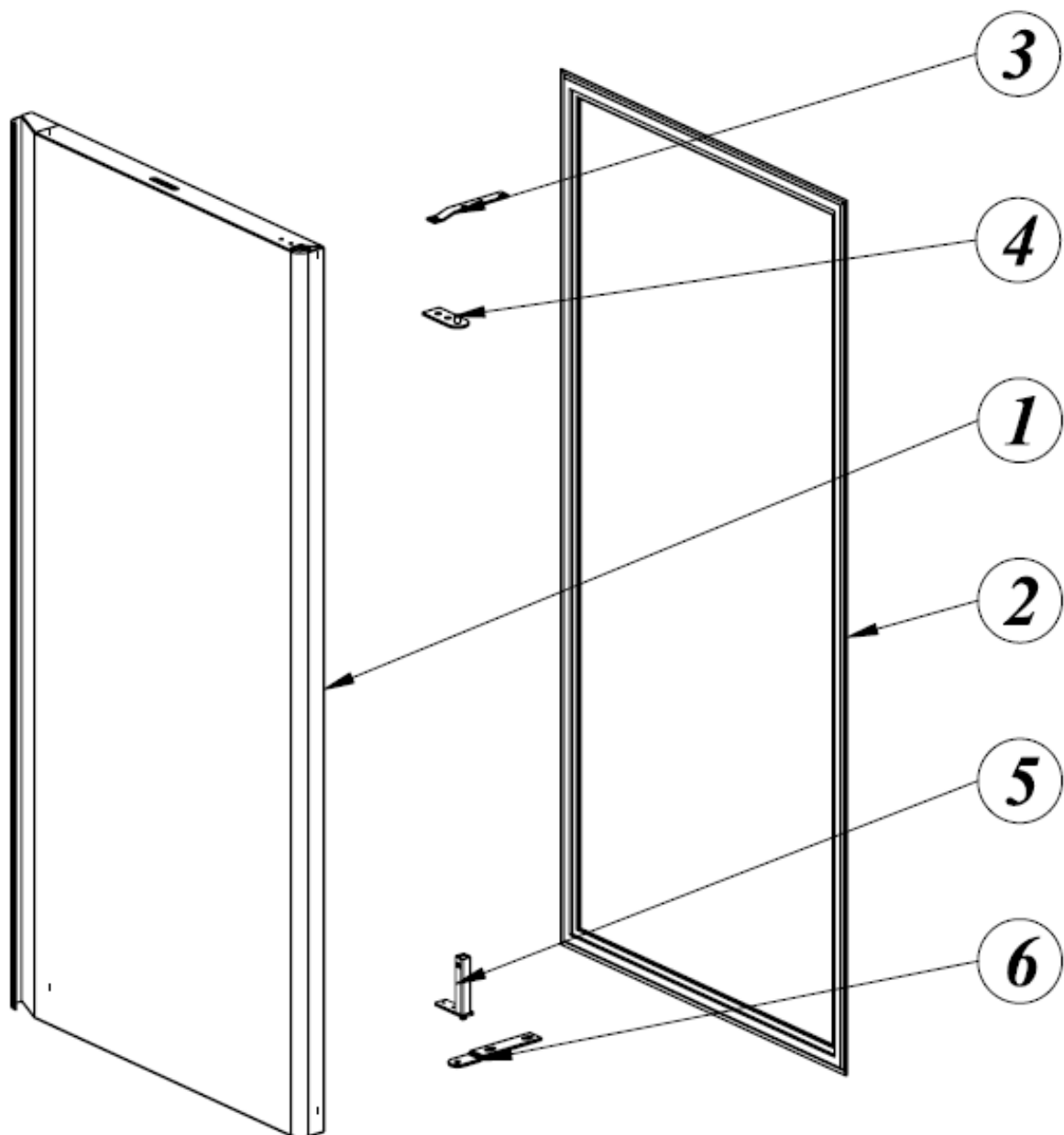




NUMBER	NAME	ARTICLE NUMBER	
1	FRONT PANNEL 600/900	30119	
2	CONTROLLER MODUL DIXELL XW60 K	40163	
3	DISPLAY FOR MODUL	40164	
3	DISPLAY FRAME ADAPTER	40157	
4	LOCK WITH KEY	20342	
5	LOCK PLASTIC	60072	
6	DOOR SWICH	40167	



NUMBER	NAME	ARTICLE NUMBER	600
1	FRONT VERTICAL SUPPORT	20229	*
2	/		
3	HOOK	20203	*
4	L PROFILE 600	20223	*
5	REAR VERTICAL SUPPORT	20230	*
6	LEFT INLET CHANNEL 600	50319	*
7	RIGHT OUTLET CHANNEL 600	?	*



NUMBER	NAME	ARTICLE NUMBER	
1	DOOR 600 900	30312	
2	DOOR SEAL 600 900	60035	
3	UPPER DOOR SUPPORT	50574	
4	UPPER DOOR HINGE	60046	
5	LOWER DOOR HINGE	60040	
6	LOWER DOOR SUPPORT	50538	

NordCap GmbH & Co. KG

Thalendorststraße 15
D-28307 Bremen

Telefon: +49 421 48557-0
Telefax: +49 421 488650

E-Mail: [info\(at\)nordcap.de](mailto:info@nordcap.de)

