

Drawing



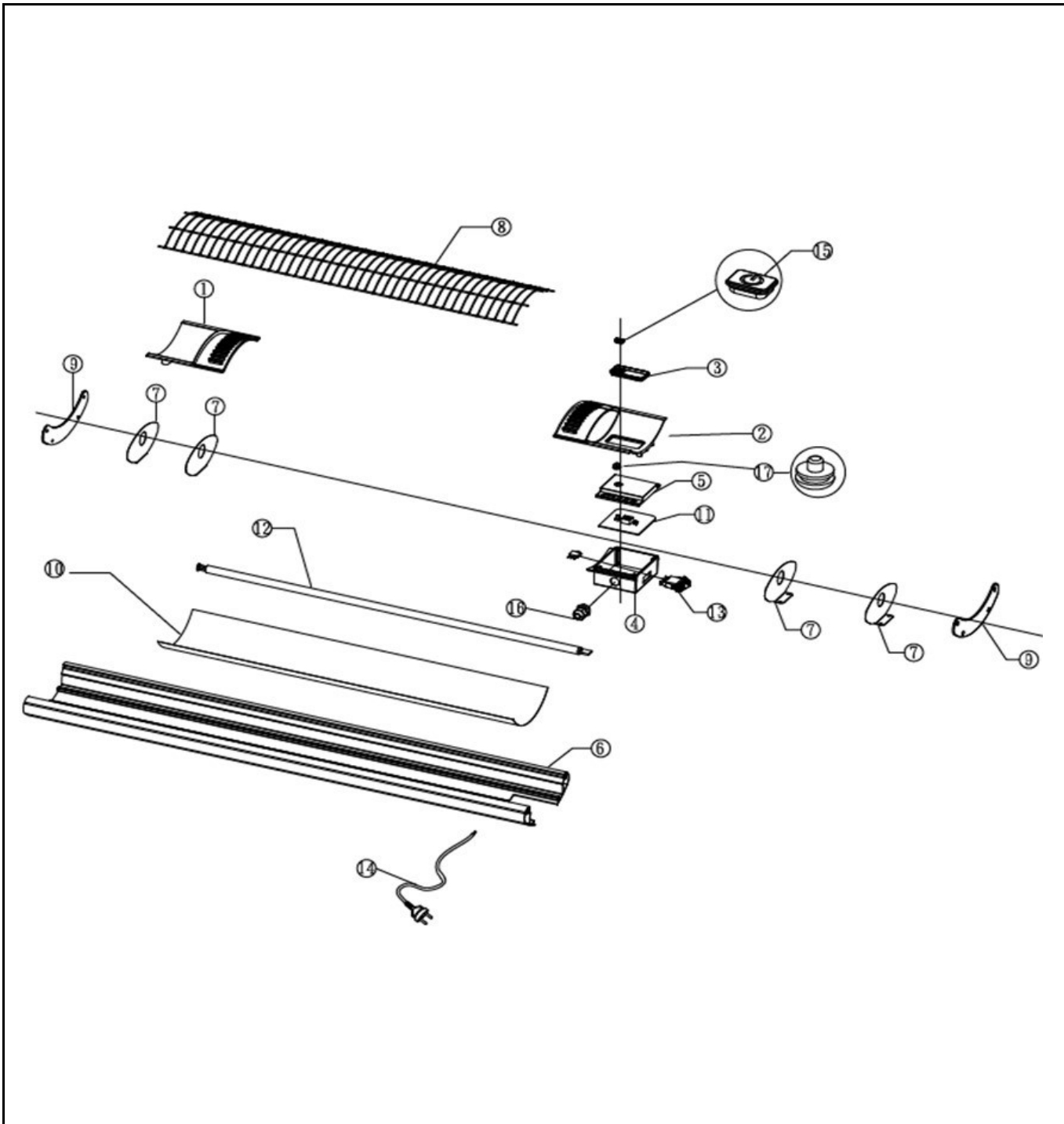
Tools for Chefs

Hendi B.V.
Steenoven 21
3911 TX Rhenen
The Netherlands


Batch #	Appliance part#
000000 and up	272428

Description
Infrared Patio heater horizontal "Bola"

Date	12-11-2021	Revision #	1.0
Revision	First Bill of Materials (BOM)		



Bill of materials (BOM)

 <b style="font-size: 24px; margin-left: 10px;">HENDI <small style="color: green; margin-left: 10px;">Tools for Chefs</small> Hendi B.V. Steenoven 21 3911 TX Rhenen The Netherlands	Batch #	Appliance part#
	000000 and up	272428
	Description	
	Infrared Patio heater horizontal "Bola"	


Date	12-11-2021	Revision #	1.0
Revision	First Bill of Materials (BOM)		

Item	Description	Part#	Quantity	Remark	Picture
1	Housing cover (left)	n/a	1		
2	Housing cover (right)	n/a	1		
3	Display cover	n/a	1		
4	PCB housing	n/a	1		
5	PCB housing cover	n/a	1		
6	Main housing	n/a	1		
7	Heater bracket	n/a	4		
8	Protective wire cover	n/a	1		
9	Housing panel (side)	n/a	2		
10	Reflector	n/a	1		
11	Control PCB	961544	1		
12	Heater	961551	1		
13	Switch (power)	961568	1		
14	Power cord	n/a	1		
15	Switch (on/off)	961575	1		
16	Pull relief	n/a	1		
17	Switch actuator	n/a	1		
*	Remote	961582	1	Not shown in drawing	

n/a -> not available

nss -> not sold separately

Circuit diagram

 HENDI Tools for Chefs Hendi B.V. Steenoven 21 3911 TX Rhenen The Netherlands	Batch #	Appliance part#
	000000 and up	272428
	Description	
	Infrared Patio heater horizontal "Bola"	

Date	12-11-2021	Revision #	1.0
Revision	First Bill of Materials (BOM)		

