



Tools for Chefs

# BLENDER WITH NOISE COVER

230688, 230602



You should read this user manual carefully before using the appliance.

Bevor Sie das Gerät in Betrieb nehmen, sollten Sie diese Gebrauchsanweisung aufmerksam lesen.

Alvorens de apparatuur in gebruik te nemen dient u deze gebruiksaanwijzing aandachtig te lezen.

Przed uruchomieniem urządzenia należy koniecznie dokładnie przeczytać niniejszą instrukcję obsługi.

Lisez attentivement ce mode d'emploi avant d'utiliser l'appareil .

Prima di utilizzare l'apparecchio in funzione leggere attentamente le istruzioni per l'uso.

Citiți cu atenție prezentul manual de utilizare înainte de folosirea aparatului.

Внимательно прочитайте руководство пользователя перед использованием прибора.

Πρέπει να διαβάσετε αυτές τις οδηγίες χρήσης προσεκτικά πριν χρησιμοποιήσετε τη συσκευή.



Keep these instructions with the appliance.  
Diese Gebrauchsanweisung bitte beim Gerät aufbewahren.  
Bewaar deze handleiding bij het apparaat.  
Zachowaj instrukcję urządzenia  
Gardez ces instructions avec cet appareil.  
Conservate le istruzioni insieme all'apparecchio.  
Pástrajte maualul de utilizare alături de aparat.  
Хранить руководство вместе с устройством.  
Φυλάξτε αυτές τις οδηγίες μαζί με τη συσκευή.




For indoor use only.  
Nur zur Verwendung im Innenbereich.  
Alleen voor gebruik binnenshuis.  
Do użytku wewnątrz pomieszczeń.  
Pour l'usage à l'intérieur seulement.  
Destinato solo all'uso domestico.  
Doar pentru uz la interior.  
Использовать только в помещениях.  
Για χρήση μόνο σε εσωτερικό χώρο.



Dear Customer,

Thank you for purchasing this Hendi appliance. Before using the appliance for the first time, please read this manual carefully, paying particular attention to the safety regulations outlined below.

## Safety regulations

- This appliance is intended for commercial use.
- The appliance must only be used for the purpose for which it was intended and designed. The manufacturer is not liable for any damage caused by incorrect operation and improper use.
- Keep the appliance and electrical plug away from water and any other liquids. In the event that the appliance should fall into water, immediately remove plug from the socket and do not use until the appliance has been checked by a certified technician. Failure to follow these instructions could cause a risk to lives.
- Never attempt to open the casing of the appliance yourself.
- Do not insert any objects in the casing of the appliance.
- Do not touch the plug with wet or damp hands.
-  **Danger of electric shock!** Do not attempt to repair the appliance yourself. In case of malfunctions, repairs are to be conducted by qualified personnel only.
- **Never use a damaged appliance!** Disconnect the appliance from the electrical outlet and contact the retailer if it is damaged.
- **Warning!** Do not immerse the electrical parts of the appliance in water or other liquids. Never hold the appliance under running water.
- Regularly check the power plug and cord for any damage. If the power plug or power cord is damaged, it must be replaced by a service agent or similarly qualified persons in order to avoid danger or injury.
- Make sure the cord does not come in contact with sharp or hot objects and keep it away from open fire. To pull the plug out of the socket, always pull on the plug and not on the cord.
- Ensure that the cord (or extension cord) is positioned so that it will not cause a trip hazard.
- Always keep an eye on the appliance when in use.
- **Warning!** As long as the plug is in the socket the appliance is connected to the power source.
- Turn off the appliance before pulling the plug out of the socket.
- Never carry the appliance by the cord.
- Do not use any extra devices that are not supplied along with the appliance.
- Only connect the appliance to an electrical outlet with the voltage and frequency mentioned on the appliance label.
- Connect the power plug to an easily accessible electrical outlet so that in case of emergency the appliance can be unplugged immediately. To completely switch off the appliance pull the power plug out of the electrical outlet.

EN



- Always turn the appliance off before disconnecting the plug.
- Never use accessories other than those recommended by the manufacturer. Failure to do so could pose a safety risk to the user and could damage the appliance. Only use original parts and accessories.
- This appliance is not intended for use by persons (including children) with reduced physical, sensory or mental capabilities, or lack of experience and knowledge.
- This appliance must not be used by children under any circumstances.
- Keep the appliance and its cord out of reach of children.
- Always disconnect the appliance from the mains if it is left unattended or is not in use, and before assembly, disassembly or cleaning.
- Never leave the appliance unattended during use.

---

## Special Safety Regulations

- Use the machine only as described in this manual.
- This machine should be operated and installed by specialized trained personnel in the kitchen of the food industry.
- All maintenance, installation and repair works should be performed by specialized trained authorized technicians.
- Do not place the machine on a heating object (gasoline, electric, charcoal cooker, etc.) Keep the appliance away from any hot surfaces and open flames. Always operate the machine on a level, stable, clean, heat-resistant and dry surface.
- Do not use the machine near explosive or flammable materials, credit cards, magnetic discs or radios.
- Wear protective clothing, mask, or protective glasses if necessary during operation.
- This machine is not intended to be operated by means of an external timer or separate remote-control system.
- Never bypass any safety interlocks on the machine.
- **WARNING:** Keep all ventilation openings in the appliance clear of obstruction.
- **WARNING: ALWAYS** switch off the machine and unplug from electrical power supply before cleaning, maintenance or storage.
- **WARNING! ALWAYS** keep hands, long hair and clothing away from the moving parts.
- Allow at least 20 cm spacing around the appliance for ventilation purpose during use.
- **Caution!** Securely route the power cord if necessary in order to prevent unintentional pulling or contact with the heating surface.
- Do not put hands into the jug set when the machine is in operation.
- Do not load too much ingredients in order to prevent overflow of the food products.
- **WARNING!** Do not fill above the **MAX.** mark of the jug.
- **WARNING!** Liquids to blend should be at or below room temperature. If you are going to blend warm liquids, ensure that the jug lid is correctly in place and use low speed for processing. Risk of burns and be careful.
- Do not wash the machine with water or a waterjet. Washing with water can cause leakage and increase the risk of electric shock. No parts are dishwasher safe.



- Do not clean or store the machine unless it is completely cooled down.
- Do not move the machine while it is under operation. Unplug the machine when moving the machine and hold it at the bottom.
- Do not operate the machine without ingredients to avoid overheated.
- Ensure the machine is switched OFF (0) and the speed dial in the "Low" position before removing the jug set.

### Intended use

- This appliance is intended for professional use.
- The appliance is designed for blending and mixing food. Any other use may lead to damage to the appliance or personal injury.
- Operating the appliance for any other purpose shall be deemed as a misuse of the device. The user shall be solely liable for improper use of the device.


### Grounding installation

This appliance is classified as protection class I appliance and must be connected to a protective ground. Grounding reduces the risk of electric shock by providing an escape wire for the elec-

tric current. This appliance is equipped with a cord having a grounding wire with a grounding plug. The plug must be plugged into an outlet that is properly installed and grounded.

### Main parts of the machine



1. Power switch (0 / I)  
: Flip to "I" position to switch ON the machine;  
: Flip again to "0" position to switch OFF the machine
2. Speed dial (Low to High)  
: Dial clockwise to increase the rotation speed;  
: Dial anti-clockwise to decrease the rotation speed.
3. Pulse button : Full speed impulse movement. Press downwards to operate, release the button to stop.
4. Bottom of the motor base unit
5. Motor unit
6. Blade assembly
7. Jug set
8. Jug lid
9. Cover cap
10. Protective cover



## Special safety features

**IMPORTANT:** This machine has a specially designed safety feature: Protective cover (10).

The machine can only operate when the protective cover (10) is closed and the jug (7) is installed properly on the motor unit (5).

## Preparations before installation

- Remove all protective packaging and wrapping.
- Check the machine for completeness and transport damages. In case of incomplete delivery (e.g. jug lid, etc) or damage, contact supplier immediately. DO NOT use the machine. [See ==> Warranty].
- Clean the machine and the jug (7) before use [See ==> Cleaning and Maintenance].
- Make sure the appliance is completely dry.

## Installation

- Read this manual thoroughly and carefully before installation and operation.
  - Ensure the machine is placed in a dry area and that the surface has sufficient strength to support the appliance. Also ensure that there are no obstructions nearby during operation of the appliance.
  - Ensure that the electrical power supply corresponds with the rating label on the machine.
- CAUTION! Never** bypass any safety micro switch.


## Transportation

- Do not move the machine while it is under operation. Unplug the machine when moving the machine.
- Always remove the jug set (7) when moving.
- Lift only at the bottom of the motor unit (4) when moving.

## Operation

**Note:** For safety reason, the appliance can only start to operate with the jug set (6) installed properly on the motor unit (5) and when the protective cover (10) is closed properly.

- Check if the power switch (1) is at the "0" position and turn the speed dial (2) to "Low" position.
- Unplug the machine and open the protective cover (10), take out the jug set (7) from the motor unit (5).
- Pour all the ingredients into the jug (7) and close the lid (8) and place the cover cap (9) correctly in place.
- Place the whole jug set (7) onto the motor unit (5) & close the protective cover (10).
- Connect the power plug to a suitable electrical power supply socket.
- Switch ON the machine by pressing the power switch (1) to "I" position & select a suitable speed by turning the speed dial (2).

Speed dial (2) setting	Description
Low speed	For mixing liquids
High speed	For mixing liquids and solid ingredients
Pulse function (0 / II) 	For ice crushing or short, power impulse movements. Note: Use the pulse function for 1 ~ 2 seconds each time. Repeated about several times if necessary.

After use, always turn the power switch (1) to "0" position and disconnect the plug from the electrical socket.



Remarks:

1. For the best results when blending solid food-stuffs, only add small portions in succession, not all ingredients at the same time.
2. Always start with lower speed. If necessary, then switch to the higher speed or to the "Pulse" function, so as not to jam the blade assembly (6).
3. Do not use this machine to blend hard food-stuff, such as nuts.
4. Do not fill liquids above the **MAX.** mark of the jug (7).
5. Liquids to be blend should be at or below room temperature. If you are going to blend warm liquids, ensure that the jug lid (8) is correctly in place and use low speed for processing. Risk of burns and be careful.
6. Avoid long period of operation due to the loud noise that may hurt the hearing.

## Cleaning and Maintenance

**Attention: Always unplug the appliance from the electrical power outlet and let it cool down completely before cleaning, maintenance, repair & storage.**

### Cleaning

- Clean the machine and the jug after each use and ensure all food residues are removed.
- Never immerse the appliance in water or other liquids.
- Clean the surface with a slightly damp cloth or sponge with some mild soap solution.
- Never use abrasive sponges, detergents, steel wool or metallic utensils to clean the interior or exterior parts of the appliance.
- **DO NOT** wash the machine with water or waterjet. Washing with water can cause leakage and increase the risk of electric shock.
- No any parts are dishwasher safe.

### Recommended cleaning procedure:

Parts	How to clean	Frequency
Motor unit (5)	<ul style="list-style-type: none"><li>- Never immerse this part into water or other liquids.</li><li>- Using a damp cloth with some detergent and water, rinse, sanitize and dry thoroughly.</li></ul>	Clean after each use
Jug, lid and cap	<ul style="list-style-type: none"><li>- Clean it with some water and some mild detergent.</li><li>- Then, rinse off under flowing water.</li><li>- Dry all parts before using again.</li></ul>	Clean after each use
Blade assembly (8)	<ul style="list-style-type: none"><li>- Warning! Risk of injury! Take great care when cleaning the blades.</li><li>- Clean it with some water and some mild detergent.</li><li>- Dry all parts before using again.</li></ul>	Clean after each use

### Storage

- Before storage, always make sure the appliance has already been disconnected from the electrical outlet and cooled down completely.
- Store the appliance in a cool, clean and dry place.



## Troubleshooting

If the appliance does not function properly, please check the below table for the solution. If you are still unable to solve the problem, please contact the supplier/service provider.

Problems	Possible causes	Possible solution
Machine does not start running	Protective cover (10) is not in properly closed position.	Check to make sure the protective cover (10) is closed properly.
	Jug (7) is not placed properly.	Check to make sure the jug set (7) properly.
	Power switch (1) is not pressed	Press the power switch (1)
Machine stops during operation	Built-in overloading safety activated.	<ul style="list-style-type: none"><li>- Switch OFF the machine by pressing the switch (1) to "0" position and unplug the machine.</li><li>- Leaving the machine for cooling down for about 30 minutes and then start again.</li></ul>

**In case of any doubt, always contact your supplier!**

## Technical specification

Item no.: 230688, 230602

Operating voltage and frequency: 220-240V~ 50/60Hz

Rated input power: 1,680W

Protection class: class I

Waterproof protection class: IP23

Maximum capacity: 2,5L

Dimension: 252x258x(H)547mm

Net weight: approx. 9,7kg

Noise level: ≤ 85dB(A)

Rotation speed without loading (rpm):

- Minimum: 16,000 +/- 10%

- Maximum : 24,800 +/- 10%

Jar material: Tritan (230602), PC (230688)

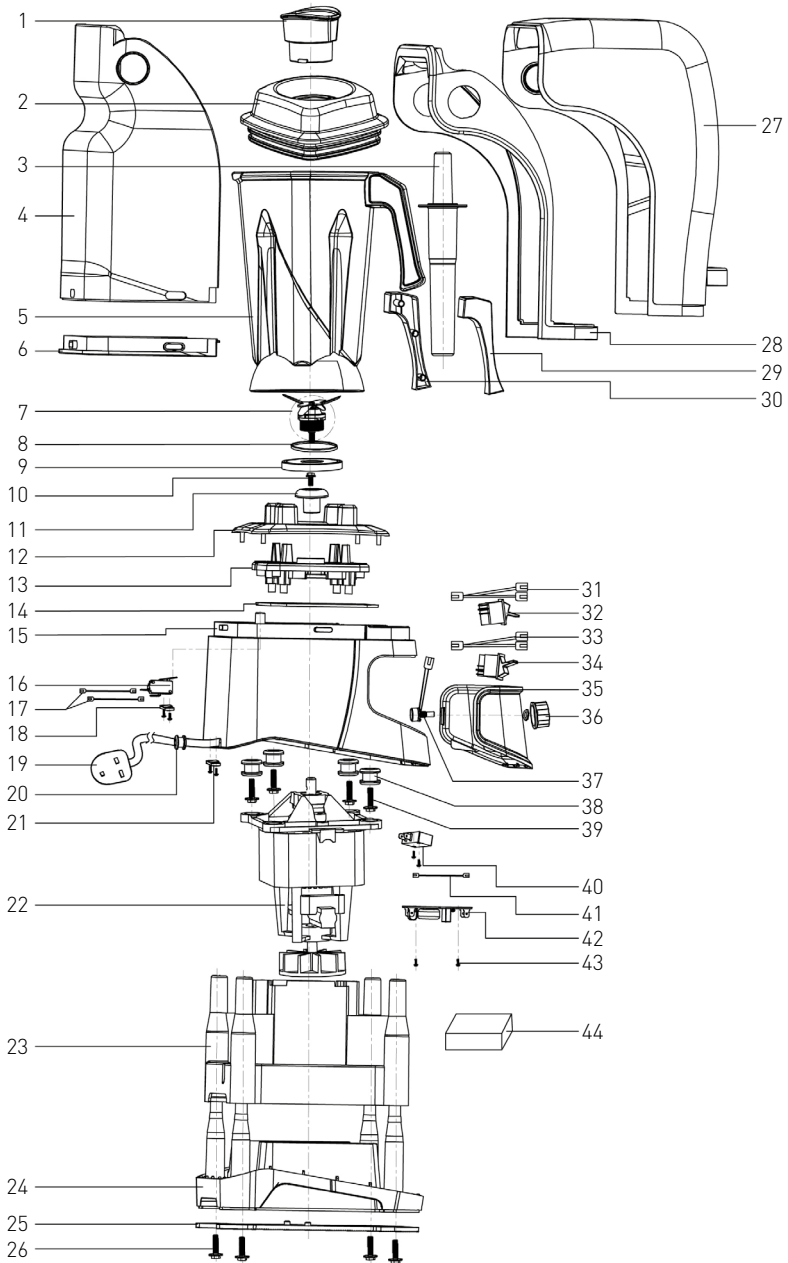
EN

**Remark: Technical specification is subjected to change without prior notification.**





# Machine exploded drawing

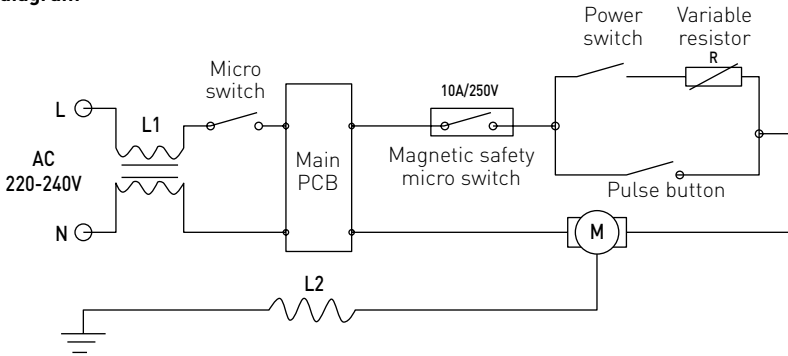


EN

## Machine part list

Part no.	Part name	Quantity	Part no.	Part name	Quantity
1	Cap cover	1	23	Motor inner housing	1
2	Jug lid	1	24	Bottom housing	1
3	Stamper (not supplied)	1	25	Bottom plate	1
4	Protective cover (rear)	1	26	Fixing screw	4
5	Jug set	1	27	Protective cover (front)	1
6	Protective cover rubber sealing (rear)	1	28	Protective cover (inner)	1
7	Blade assembly	1	29	Jug handle left cover	1
8	Seal ring of the blade assembly	1	30	Jug handle right cover	1
9	Large seal ring	1	31	Internal wire terminal for pulse button	1
10	Mounting screw	1	32	Pulse button	1
11	Clutch	1	33	Internal wire terminal for power switch	1
12	Jug holder	1	34	Power switch	1
13	Jug holder support	1	35	Control panel cover	1
14	Rubber seal cover	1	36	Speed dial	1
15	Motor outer housing	1	37	Internal wire terminal for speed dial	1
16	Safety micro switch assembly	1	38	Anti-shock dampers	4
17	Internal wire terminal for safety micro switch	1	39	Mounting screws for anti-shock dampers	4
18	Mounting screws for the micro switch	2	40	Magnetic micro switch assembly	1
19	Power plug	1	41	Internal wire terminal for the magnetic switch	1
20	Power cord	1	42	PCB assembly	1
21	Power cord clamp	1	43	Screws for fixing PCB assembly	4
22	Motor assembly	1	44	Sound absorption cotton	1

## Circuit diagram



## Warranty

Any defect affecting the functionality of the appliance which becomes apparent within one year after purchase will be repaired by free repair or replacement provided the appliance has been used and maintained in accordance with the instructions and has not been abused or misused in any way. Your statutory rights are not affected. If the appliance is claimed under warranty, state

where and when it was purchased and include proof of purchase (e.g. receipt).

In line with our policy of continuous product development we reserve the right to change the product, packaging and documentation specifications without notice.

## Discarding & Environment

When decommissioning the appliance, the product must not be disposed of with other household waste. Instead, it is your responsibility to dispose to your waste equipment by handing it over to a designated collection point. Failure to follow this rule may be penalized in accordance with applicable regulations on waste disposal. The separate collection and recycling of your waste equipment at the time of disposal will


help conserve natural resources and ensure that it is recycled in a manner that protects human health and the environment. For more information about where you can drop off your waste for recycling, please contact your local waste collection company. The manufacturers and importers do not take responsibility for recycling, treatment and ecological disposal, either directly or through a public system.



Sehr geehrte Kundin, sehr geehrter Kunde,

wir danken Ihnen für den Kauf des Gerätes HENDI. Machen Sie sich bitte mit dieser Anleitung noch vor der Inbetriebnahme des Gerätes vertraut, um Schäden durch die unsachgemäße Bedienung zu vermeiden. Den Sicherheitsregeln ist besondere Aufmerksamkeit zu widmen.

## Sicherheitsregeln

- Die unsachgemäße Bedienung des Geräts kann zur schweren Beschädigung des Geräts sowie zu Verletzungen führen.
- Dieses Gerät ist für den gewerblichen Gebrauch bestimmt.
- Das Gerät ist ausschließlich zu dem Zweck zu benutzen, zu dem es hergestellt wurde. Der Hersteller haftet nicht für Schäden, die auf unsachgemäße Bedienung des Geräts zurückzuführen sind.
- Den Kontakt des Gerätes und des Steckers mit Wasser oder einer anderen Flüssigkeit vermeiden. Den Stecker unverzüglich aus dem Stecker ziehen und das Gerät von einem anerkannten Fachmann prüfen lassen, wenn das Gerät unbeabsichtigterweise ins Wasser fällt. Bei Nichteinhaltung dieser Sicherheitsvorschriften besteht Lebensgefahr.
- Nie eigenständig das Gehäuse des Gerätes zu öffnen versuchen.
- In das Gehäuse des Gerätes keine Gegenstände einführen.
- Den Stecker nicht mit nassen oder feuchten Händen berühren.
-  **Gefahr eines Stromschlags!** Das Gerät darf nicht selbstständig repariert werden. Sämtliche Mängel und Unzulänglichkeiten sind ausschließlich durch qualifiziertes Personal zu beseitigen.
- **Niemals ein beschädigtes Gerät benutzen!** Das beschädigte Gerät vom Netz trennen und sich mit dem Verkäufer in Verbindung setzen.
- **Warnung:** Die Elektroteile des Gerätes dürfen weder in Wasser noch in andere Flüssigkeiten getaucht werden. Ebenso ist das Gerät nicht unter fließendes Wasser zu halten.
- Der Stecker und die Stromversorgungsleitung sind regelmäßig auf Beschädigungen zu prüfen. Der beschädigte Stecker oder Leitung sind an eine Servicestelle oder einer anderen qualifizierten Person zur Reparatur zu übergeben, um eventuellen Gefahren und Verletzungen des Körpers vorzubeugen.
- Man muss sich davon überzeugen, ob die Stromversorgungsleitung weder mit scharfkantigen noch mit heißen Gegenständen in Berührung kommt; halten Sie die Leitung weit entfernt von einer offenen Flamme. Um den Stecker aus der Netzsteckdose zu nehmen, muss man immer am Stecker und nicht an der Leitung ziehen.
- Die Stromversorgungsleitung (oder Verlängerungsleitung) ist vor dem zufälligen Herausziehen aus der Steckdose zu schützen. Die Stromversorgungsleitung muss so geführt werden, dass niemand zufällig darüber stolpern kann.
- Das Gerät muss während seiner Anwendung ständig kontrolliert werden.
- **Warnung!** Wenn der Stecker in der Netzsteckdose ist, muss man das Gerät als an die Stromversorgung angeschlossen betrachten.

DE



- Bevor der Stecker aus der Netzsteckdose genommen wird, ist das Gerät auszuschalten.
- Das Gerät darf beim Tragen nicht an der Leitung gehalten werden.
- Benutzen Sie kein Zubehör, das nicht mit diesem Gerät mitgeliefert wurde.
- Das Gerät muss man ausschließlich an die Steckdose mit solch einer Spannung und Frequenz anschließen, wie auf dem Typenschild angegeben wird.
- Stecken Sie den Stecker in die Steckdose, die an einem leicht und bequem zugänglichen Ort angeordnet ist, und zwar so, dass das Gerät bei einer Störung sofort abgeschaltet werden kann. Um das Gerät vollständig auszuschalten, muss man es von der Stromquelle trennen. Zu diesem Zweck muss man den Stecker, der sich am Ende der vom Gerät getrennten Leitung befindet, aus der Netzsteckdose ziehen.
- Vor dem Abtrennen des Steckers ist das Gerät auszuschalten!
- Benutzen Sie kein Zubehör, das nicht vom Hersteller empfohlen wird. Die Anwendung vom nicht empfohlenen Zubehör stellt eine Gefahr für den Nutzer dar und kann zur Beschädigung des Gerätes führen. Benutzen Sie ausschließlich Ersatzteile und Zubehör im Original.
- Dieses Gerät eignet sich nicht für den Gebrauch durch Personen (gilt auch für Kinder) mit geringerer Motorik, Sensorik oder geistiger Fähigkeit oder mangelhafter Erfahrung und Wissen.
- Auf keinen Fall darf das Bedienen des Gerätes durch Kinder zugelassen werden.
- Das Gerät mit Stromversorgungsleitung ist außerhalb der Reichweite von Kindern zu lagern.
- Ebenso muss dafür gesorgt werden, dass die Kinder das Gerät nicht zum Spielen benutzen.
- Das Gerät ist immer dann von der Stromversorgung zu trennen, wenn es ohne Aufsicht bleiben soll bzw. auch vor der Montage, Demontage und Reinigung.
- Während der Nutzung darf das Gerät nicht ohne Aufsicht gelassen werden.

DE

---

## Besondere Sicherheitsbestimmungen

- Benutzen Sie das Gerät nur für den in diesem Handbuch beschriebenen Zweck.
- Diese Maschine muss von spezialisiertem Fachpersonal in der Küche der Lebensmittelindustrie betrieben und installiert werden.
- Alle Wartungs-, Installations- und Reparaturarbeiten müssen durch Fachpersonal ausgeführt werden.
- Platzieren Sie das Gerät nicht auf einen Heizkörper (Benzin-, Elektro- oder Kohlenkocher, usw.). Halten Sie das Gerät von jedweden heißen Oberflächen und offenen Flammen fern. Betreiben Sie das Gerät immer auf einer ebenen, stabilen, sauberen, hitzebeständigen und trockenen Oberfläche.
- Verwenden Sie das Gerät nicht in der Nähe von explosiven oder brennbaren Materialien, Kreditkarten, Magnetplatten oder Radios.
- Tragen Sie falls erforderlich während des Betriebs eine Schutzkleidung, Maske oder Schutzbrille.



- Dieses Gerät darf nicht mit einem externen Zeitgeber oder einer separaten Fernbedienung betrieben werden.
- Umgehen Sie niemals die Sicherheitsverriegelungen am Gerät.
- **WARNUNG:** Halten Sie alle Belüftungsöffnungen am Gerät frei von Hindernissen.
- **WARNUNG:** Schalten Sie das Gerät **IMMER** aus und ziehen Sie den Netzstecker aus der Steckdose, bevor Sie eine Reinigung, Wartung durchführen oder das Gerät verstauen.
- **WARNUNG!** Halten Sie Ihre Hände, lange Haare und Kleidung **IMMER** von den beweglichen Teilen entfernt.
- Sehen Sie mindestens 20 cm um das Gerät als Abstand für Belüftungszwecke während des Gebrauchs vor.
- **Vorsicht!** Sichern Sie ggf. das Netzkabel, um ein unbeabsichtigtes Ziehen oder dessen Kontakt mit der Heizfläche zu vermeiden.
- Führen Sie Ihre Hände nicht in das Kannenzubehör hinein, während das Gerät in Betrieb ist.
- Füllen Sie nicht zu viele Zutaten ein, um ein Überlaufen der Lebensmittel zu verhindern.
- **WARNUNG!** Befüllen Sie nur bis zur **MAX.**-Markierung der Kanne.
- **WARNUNG!** Flüssigkeiten, die vermengt werden sollen, müssen sich bei Raumtemperatur oder darunter befinden. Wenn Sie warme Flüssigkeiten vermengen möchten, stellen Sie sicher, dass der Deckel der Kanne korrekt vorhanden ist und verwenden Sie für die Verarbeitung eine niedrige Geschwindigkeit. Es besteht Verbrennungsgefahr, seien sie also vorsichtig.
- Reinigen Sie das Gerät nicht mit Wasser oder im Wasserstrahl. Ein Reinigen mit Wasser kann zu Undichtigkeiten führen und das Risiko eines elektrischen Schlags erhöhen. Alle Teile sind nicht spülmaschinenfest.
- Reinigen oder verstauen Sie das Gerät nicht, solange es nicht vollständig abgekühlt ist.
- Bewegen Sie das Gerät nicht, solange es in Betrieb ist. Ziehen Sie vor einem Bewegen des Gerätes den Netzstecker und halten Sie es an der Unterseite.
- Betreiben Sie das Gerät nicht ohne Zutaten, um eine Überhitzung zu vermeiden.
- Impulsbewegung bei höchster Drehzahl. Drücken Sie nach unten, um es in Betrieb nehmen zu können, Lassen Sie die Taste los, um den Betrieb zu stoppen.

DE

### Verwendungszweck des Gerätes

- Das Gerät ist für den professionellen Einsatz geeignet.
- Das Gerät ist für den Vermengen und Mischen von Lebensmitteln. Die Verwendung des Gerätes für andere Zwecke kann zu seiner Beschädigung sowie zu Körperverletzungen führen.
- Jede andere Verwendung des Gerätes gilt als nicht bestimmungsgemäß. Der Benutzer ist allein verantwortlich für die unsachgemäße Nutzung des Gerätes.




## Montage der Erdung

Dieses Gerät wurde als Schutzklasse I eingestuft und muss an einen Schutzleiter angeschlossen werden. Durch das Erden wird das Risiko eines elektrischen Schlags über die Bereitstellung eines Fluchtdrahtes für den elektrischen Strom

verringert. Dieses Gerät ist mit einem Kabel ausgestattet, welches einen Erdungsdraht sowie einen geerdeten Stecker besitzt. Der Stecker muss in eine Steckdose gesteckt werden, die ordnungsgemäß installiert und geerdet wurde.

## Wichtigste Bestandteile des Gerätes



1. Netzschalter (0 / I)  
: Schalten Sie auf die „I“-Stellung, um das Gerät auf EIN zu schalten;  
: Schalten Sie erneut auf die „0“-Stellung, um das Gerät AUS zu schalten
2. Drehzahlauswahl (Niedrig bis Hoch)  
: Drehen Sie im Uhrzeigersinn, um die Drehzahl zu erhöhen;  
: Drehen Sie gegen den Uhrzeigersinn, um die Drehzahl zu verringern.
3. Impulstaste (0 / II)   
Impulsbewegung bei höchster Drehzahl. Drücken Sie nach unten, um es in Betrieb nehmen zu können, Lassen Sie die Taste los, um den Betrieb zu stoppen.
4. Unterseite der Motorfußeneinheit
5. Motoreinheit
6. Klingenset
7. Kannen-Set
8. Kannendeckel
9. Abdeckkappe
10. Schutzabdeckung

## Besondere Sicherheitsbestimmungen

**WICHTIG:** Dieses Gerät verfügt über eine speziell entwickelte Sicherheitseinrichtung: Schutzabdeckung (10).

Das Gerät kann nur in Betrieb genommen werden, wenn die Schutzabdeckung (10) geschlossen ist und die Kanne (7) ordnungsgemäß am Motorfuß (5) montiert wurde

## Vorbereitungen vor der Installation

- Entfernen Sie das gesamte Schutz- und Verpackungsmaterial.
- Überprüfen Sie das Gerät auf Vollständigkeit und Transportschäden. Bei unvollständiger Auslieferung (z.B. fehlender Kannendeckel usw.) oder Beschädigung wenden Sie sich bitte sofort an den Lieferanten. Verwenden Sie in

einem solchen Fall das Gerät NICHT. (Siehe ==> Garantie).

- Reinigen Sie Gerät und Kanne (7) vor jedem Gebrauch (Siehe ==> Reinigung und Wartung).
- Vergewissern Sie sich, dass das Gerät in einem vollständig trockenen Zustand ist.



## Installation

- Lesen Sie diese Bedienungsanleitung sorgfältig und gründlich vor Installation und Betrieb durch.
- Stellen Sie sicher, dass das Gerät an einem trockenen Ort platziert wird und dass dieser eine ausreichende Festigkeit hat, um dem Gewicht des Gerätes stand zuhalten. Achten Sie auch darauf, dass während des Betriebs des Gerätes keine Hindernisse in der Nähe auftreten.

- Vergewissern Sie sich, dass die angelegte Stromversorgung mit dem Typenschild am Gerät übereinstimmt.

**VORSICHT! Umgehen Sie niemals einen Sicherheitsmikroschalter.**

## Transport

- Bewegen Sie das Gerät nicht, solange es in Betrieb ist. Ziehen Sie den Netzstecker des Gerätes aus der Steckdose, sobald Sie vorhaben, das Gerät zu bewegen.


- Entfernen Sie das Kannenzubehör (7) wenn Sie es bewegen.
- Heben Sie es beim Bewegen immer an der Motoreinheit (4) an.

## Betrieb

**Hinweis:** Aus Sicherheitsgründen kann das Gerät nur betrieben werden, wenn das Kannenzubehör (6) ordnungsgemäß am Motorfuß (5) installiert und die Schutzvorrichtung (10) ordnungsgemäß geschlossen wird.

- Überprüfen Sie, ob sich der Netzschalter (1) in der „0“-Stellung befindet und die Auswahl der Drehzahl (2) sich in der „Niedrig“-Stellung befindet.
- Ziehen Sie den Netzstecker und öffnen Sie die Schutzabdeckung (10), und nehmen anschließend das Kannenzubehör (7) aus der Motoreinheit (5) heraus.
- Gießen Sie alle Zutaten in die Kanne (7) und verschließen Sie den Deckel (8) und platzieren Sie die Abdeckkappe (9) auf korrekte Weise.

- Platzieren Sie das komplette Kannenzubehör (7) auf der Motoreinheit (5) und schließen Sie die Schutzabdeckung (10).
- Schließen Sie den Netzstecker an eine geeignete Steckdose an.
- Schalten Sie das Gerät EIN, indem Sie den Netzschalter (1) in die „I“-Stellung bewegen und eine geeignete Drehzahl auswählen, indem Sie die Drehzahlauswahl auf (2) drehen.

Drehzahlauswahl (2) Einstellung	Beschreibung
Geringe Drehzahl	Zum Mischen von Flüssigkeiten
Hohe Drehzahl	Zum Mischen von Flüssigkeiten und festen Zutaten
Impulsfunktion (0 / II) 	Für die Eiszerkleinerung oder für kurze, Kraftimpulsbewegungen. Hinweis: Verwenden Sie die Impulsfunktion für jeweils 1 - 2 Sekunden. Wiederholen Sie dies ggf. für mehrere Male.

Stellen Sie nach Gebrauch den Netzschalter (1) immer auf die „0“-Stellung und ziehen Sie den Stecker aus der Steckdose.



#### Bemerkungen:

1. Für beste Ergebnisse beim Vermengen von festen Nahrungsmitteln, fügen Sie nur kleine Portionen nacheinander hinzu, und nicht alle Zutaten zur gleichen Zeit.
2. Beginnen Sie immer mit niedrigerer Drehzahl. Schalten Sie danach ggf. auf eine höhere Drehzahl oder in die „Impuls“-Funktion, um die Klingengruppe (6) nicht zu blockieren.
3. Verwenden Sie diese Maschine nicht, um harte Lebensmittel, wie z.B. Nüsse, zu vermengen.
4. Füllen Sie Flüssigkeiten nur bis zur **MAX.**-Markierung der Kanne ein.
5. Flüssigkeiten, die vermennt werden sollen, müssen sich bei Raumtemperatur oder darunter befinden. Wenn Sie warme Flüssigkeiten vermengen möchten, stellen Sie sicher, dass der Deckel der Kanne (8) korrekt vorhanden ist und verwenden Sie für die Verarbeitung eine niedrige Geschwindigkeit. Es besteht Verbrennungsgefahr, seien sie also vorsichtig.
6. Vermeiden Sie eine lange Betriebsdauer aufgrund des lauten Geräusches, das Ihr Gehör verletzen könnte.

### Reinigung und Wartung

**Augenmerk:** Ziehen Sie immer den Netzstecker aus der Steckdose und lassen Sie es vor einer Reinigung, Wartung, Reparatur und Lagerung vollständig abkühlen.

#### Reinigen

- Reinigen Sie das Gerät und die Kanne (7) nach jedem Gebrauch und stellen Sie sicher, dass alle Lebensmittelreste entfernt werden.
- Tauchen Sie das Gerät niemals in Wasser oder andere Flüssigkeiten.
- Reinigen Sie die Oberfläche mit einem leicht feuchten Tuch oder Schwamm, das etwas milde Seifenlösung enthält.
- Verwenden Sie niemals scheuernde Schwämme, Waschmittel, Stahlwolle oder metallische Utensilien, um Innen- oder Außenteile des Gerätes zu reinigen.
- Reinigen Sie das Gerät **NICHT** mit Wasser oder im Wasserstrahl. Ein Reinigen mit Wasser kann zu Undichtigkeiten führen und das Risiko eines elektrischen Schlags erhöhen.
- Alle Teile sind nicht spülmaschinenfest.

DE

#### Empfohlenes Reinigungsverfahren:

Teile	Wie muss gereinigt werden	Häufigkeit
Motoreinheit (5)	<ul style="list-style-type: none"><li>- Tauchen Sie dieses Teil niemals in Wasser oder andere Flüssigkeiten.</li><li>- Mit einem feuchten Tuch und etwas Reinigungsmittel und Wasser spülen, säubern und gründlich trocknen.</li></ul>	Nach jeder Verwendung zu reinigen
Kanne, Deckel und Kappe	<ul style="list-style-type: none"><li>- Reinigen Sie es mit etwas Wasser und mildem Reinigungsmittel.</li><li>- Anschließend unter fließendem Wasser abspülen.</li><li>- Alle Teile müssen vor dem erneuten Gebrauch getrocknet werden.</li></ul>	Nach jeder Verwendung zu reinigen
Klingengruppe (6)	<ul style="list-style-type: none"><li>- <b>Warnung!</b> Gefahr einer Verletzung! Lassen Sie bei der Reinigung der Klinge größte Vorsicht walten.</li><li>- Reinigen Sie es mit etwas Wasser und mildem Reinigungsmittel.</li><li>- Alle Teile müssen vor dem erneuten Gebrauch getrocknet werden.</li></ul>	Nach jeder Verwendung zu reinigen



## Lagerung

- Stellen Sie vor einer Lagerung sicher, dass das Gerät bereits von der Stromzufuhr getrennt wurde und vollständig abgekühlt ist.
- Bewahren Sie das Gerät an einem kühlen, sauberen und trockenen Platz auf.

## Fehlerbehebung

Sollte das Gerät nicht ordnungsgemäß funktionieren, konsultieren Sie bitte die nachfolgende Tabelle für eine Lösung. Sollte das Problem weiterhin fortbestehen, wenden Sie sich bitte an den Lieferanten/Diensteanbieter.

Probleme	Mögliche Ursachen	Mögliche Lösungen
Das Gerät startet nicht	Die Schutzabdeckung (10) befindet sich nicht in einer geschlossenen Position.	Überprüfen Sie, ob die Schutzabdeckung (10) richtig geschlossen wurde.
	Die Kanne (7) wurde nicht richtig platziert.	Überprüfen Sie, ob die Kanne (7) richtig abgestellt wurde.
	Der Netzschalter (1) wurde nicht gedrückt.	Drücken Sie den Netzschalter (1)
Machine stops during operation	Der eingebaute Überlastungsschutz wurde aktiviert.	- Schalten Sie das Gerät AUS, indem Sie den Schalter (1) in die „0“-Stellung drücken und den Netzstecker ziehen. - Lassen Sie das Gerät für ca. 30 Minuten abkühlen und versuchen Sie es anschließend erneut..

## Technische Spezifikation

Artikel-Nr.: 230688, 230602

Betriebsspannung und -Frequenz:

220-240V- 50/60Hz

Nenneingangsleistung: 1,680W

Schutzklasse: Klasse I

Wasserdichtschutzklasse: IP23

Maximale Kapazität: 2,5L

Abmessungen: 252x258x(H)547mm

Nettogewicht: ca. 9,7kg

Geräuschpegel:  $\leq$  85dB(A)

Umdrehungsdrehzahl ohne Belastung (U/min):

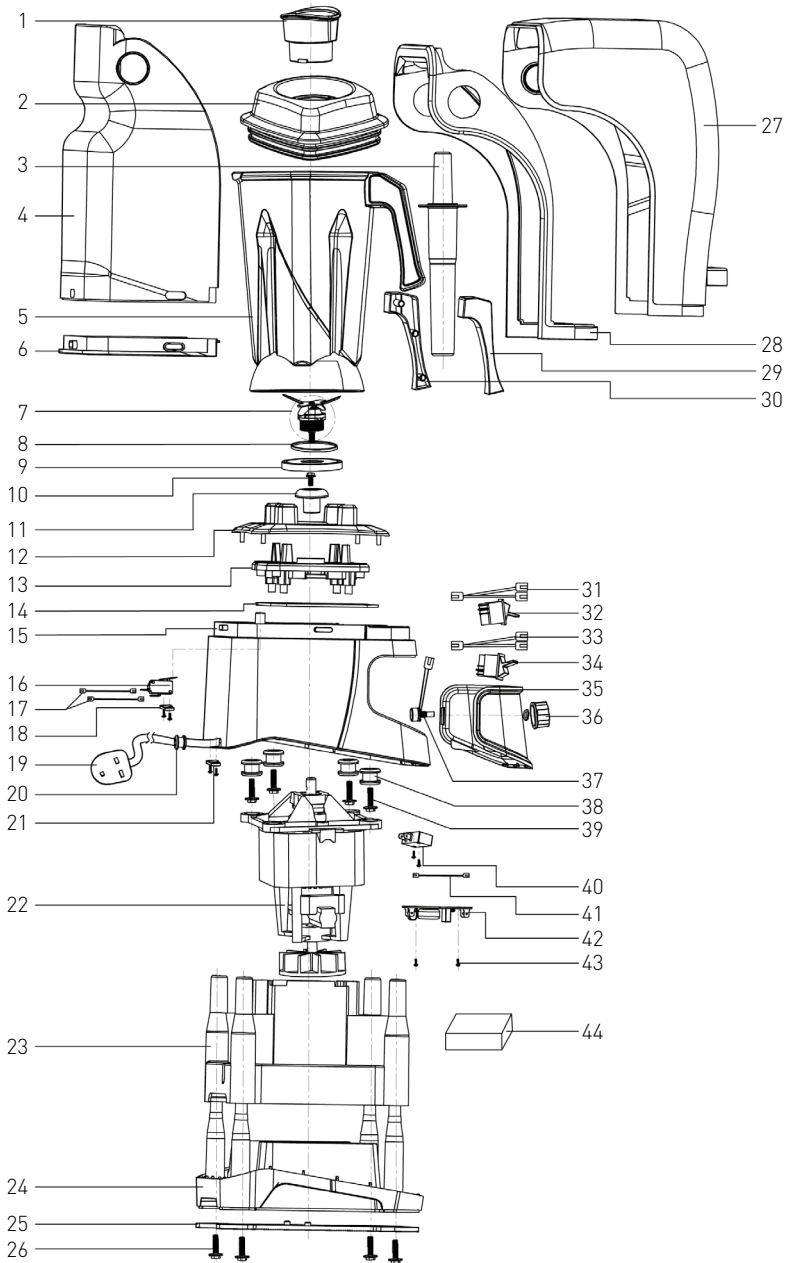
- Minimum: 16,000 +/- 10%

- Maximum: 24,800 +/- 10%

Behältermaterial: Tritan (230602), Polykarbonat (230688)

**Bemerkung: Technische Änderungen ohne vorherige Ankündigung vorbehalten.**

# Explosionszeichnung der Maschine

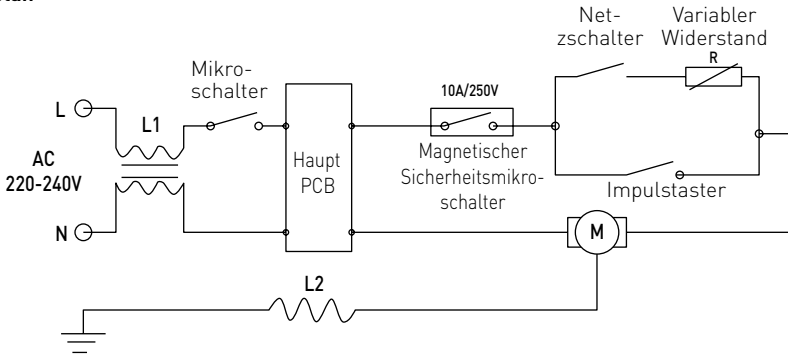


DE

## Wichtigste Bestandteile des Gerätes

Teil-Nr.	Teilenamen	Menge	Teil-Nr.	Teilenamen	Menge
1	Kappenabdeckung	1	23	Motorinnengehäuse	1
2	Kannendeckel	1	24	Bodengehäuse	1
3	Stampfer (nicht mitgeliefert)	1	25	Bodenplatte	1
4	Schutzabdeckung (hinten)	1	26	Befestigungsschraube	4
5	Kannen-Set	1	27	Schutzabdeckung (vorne)	1
6	Schutzabdeckung-Gummidichtung (hinten)	1	28	Schutzabdeckung (innen)	1
7	Klingenbaugruppe	1	29	Linke Kannengriffabdeckung	1
8	Dichtungsring der Klingensbaugruppe	1	30	Rechte Kannengriffabdeckung	1
9	Großer Dichtungsring	1	31	Interne Anschlussklemme für Impulstaster	1
10	Montageschraube	1	32	Impuls	1
11	Kupplung	1	33	Interne Anschlussklemme für Netzschalter	1
12	Kannengriff	1	34	Netzschalter	1
13	Kannengriffstandfuß	1	35	Bedienfeldabdeckung	1
14	Gummidichtungsabdeckung	1	36	Drehzahlauswahl	1
15	Motoraußengehäuse	1	37	Interne Anschlussklemme für Drehzahlauswahl	1
16	Sicherheitsmikroschalter-Baugruppe	1	38	Schwingungsdämpfer	4
17	Interne Drahtklemme für Sicherheitsmikroschalter	1	39	Montageschrauben für Schwingungsdämpfer	4
18	Montageschrauben für Mikroschalter	2	40	Magnetische Mikroschalter-Baugruppe	1
19	Netzstecker	1	41	Interne Drahtklemme für Magnetschalter	1
20	Netzkabel	1	42	PCB-Baugruppe	1
21	Netzkabelklemme	1	43	Befestigungsschrauben der PCB-Baugruppe	4
22	Motorbaugruppe	1	44	Schalldämpfungswatte	1

## Schaltplan



## Garantie

Alle innerhalb von einem Jahr nach dem Kaufdatum festgestellten Defekte oder Mängel, die die Funktionalität des Gerätes beeinträchtigen, werden auf dem Wege der unentgeltlichen Reparatur bzw. des Austausches unter der Voraussetzung beseitigt, dass das Gerät in einer der Bedienungsanleitung gemäßen Art und Weise betrieben und gewartet wird und weder vorsätzlich vernichtet noch nicht bestimmungsgemäß genutzt wurde. Ihre Rechte aus den entsprechenden Gesetzen bleiben davon unberührt.

Eine in der Garantiefrist einzureichende Beanstandung hat die Angabe des Kaufortes und Kaufdatums und in der Anlage einen Kaufbeleg (z.B. Kassenzettel) zu enthalten.

Gemäß unserer Politik der ständigen Weiterentwicklung unserer Produkte behalten wir uns vor, Änderungen am Produkt, an seiner Verpackung und an den dokumentierten technischen Daten ohne vorherige Ankündigung vorzunehmen.

DE

## Entsorgung und Umweltschutz

Wird das Gerät außer Betrieb genommen, darf es nicht über den Hausmüll entsorgt werden. Der Benutzer ist für die Übergabe des Gerätes an eine geeignete Sammelstelle für Altgeräte verantwortlich. Die Nichteinhaltung dieser Regel kann gemäß den geltenden Vorschriften über die Abfallentsorgung bestraft werden. Die getrennte Sammlung und das Recycling der Altgeräte trägt zur Schonung der natürlichen Ressourcen

bei und sorgt für eine umwelt- und gesundheitschonende Verwertungsweise. Weitere Informationen darüber, wo Sie Ihre Altgeräte entsorgen können, erhalten Sie bei Ihrem örtlichen Entsorgungsunternehmen. Der Hersteller und der Importeur übernehmen keine Verantwortung für das Recycling sowie die umweltfreundliche Verwertung von Abfällen, weder direkt noch über ein öffentliches System.



Geachte klant,

Hartelijk dank voor de aankoop van dit Hendi apparaat. Leest u deze gebruiksaanwijzing zorgvuldig voordat u het apparaat gebruikt, dit om schade door verkeerd gebruik te voorkomen. Lees vooral de veiligheidsinstructies aandachtig door.

## Veiligheidsinstructies

- Onjuiste bediening en verkeerd gebruik van het apparaat kan ernstige schade aan het apparaat en verwonding van personen tot gevolg hebben.
- Dit apparaat bedoeld voor commerciële doeleinde.
- Het apparaat mag alleen worden gebruikt voor het doel waarvoor het werd ontworpen. De fabrikant aanvaardt geen enkele aansprakelijkheid voor schade als gevolg van onjuiste bediening en verkeerd gebruik.
- Zorg dat het apparaat en de stekker niet met water of een andere vloeistof in aanraking komen. Mocht het apparaat onverhoopt in het water vallen, trek dan onmiddellijk de stekker uit het stopcontact en laat het apparaat controleren door een erkend vakman. Niet-naleving hiervan kan levensgevaar opleveren.
- Probeer nooit zelf de behuizing van het apparaat te openen.
- Steek geen voorwerpen in de behuizing van het apparaat.
- Raak de stekker niet met natte of vochtige handen aan.
-  **Gevaar van elektrische schokken!** Probeer het apparaat niet zelf te repareren. In het geval van storingen, laat reparaties alleen uitvoeren door gekwalificeerd personeel.
- **Gebruik nooit een beschadigd apparaat!** Als het apparaat is beschadigd, haal de stekker dan uit het stopcontact en neem contact op met de winkel.
- **Waarschuwing!** Dompel de elektrische onderdelen van het apparaat niet onder in water of andere vloeistoffen. Houd het apparaat nooit onder stromend water.
- Controleer de stekker en het netsnoer regelmatig op schade. Als de stekker of het netsnoer is beschadigd, moet het worden vervangen door de technische dienst of een soortgelijk gekwalificeerd persoon om gevaar of letsel te voorkomen.
- Zorg ervoor dat het netsnoer niet in contact komt met scherpe of hete voorwerpen en houd het uit de buurt van open vuur. Als u de stekker uit het stopcontact wilt halen, trek dan altijd aan de stekker en niet aan het netsnoer.
- Zorg ervoor dat niemand per ongeluk aan het netsnoer (of verlengsnoer) kan trekken of kan struikelen over het netsnoer.
- Houd het apparaat in de gaten tijdens gebruik.
- **Waarschuwing!** Zolang de stekker in het stopcontact zit, is het apparaat aangesloten op de voedingsbron.
- Schakel het apparaat uit voordat u de stekker uit het stopcontact trekt.
- Draag het apparaat nooit aan het netsnoer.
- Gebruik geen extra hulpmiddelen die niet worden meegeleverd met het apparaat.
- Sluit het apparaat alleen aan op een stopcontact met de spanning en frequentie die is vermeld op het typeplaatje.

NL



- Sluit de stekker aan op een stopcontact dat eenvoudig bereikt kan worden, zodat de stekker in geval van nood onmiddellijk uit het stopcontact kan worden getrokken. Trek de stekker volledig uit het stopcontact om het apparaat volledig uit te schakelen. Gebruik de stekker om het apparaat los te koppelen van het lichtnet.
- Schakel het apparaat altijd uit voordat u de stekker uit het stopcontact trekt.
- Gebruik nooit accessoires die niet worden aanbevolen door de fabrikant. Zij kunnen mogelijk een veiligheidsrisico vormen voor de gebruiker en kunnen het apparaat mogelijk beschadigen. Gebruik alleen originele onderdelen en accessoires.
- Dit apparaat is niet geschikt voor gebruik door personen (inclusief kinderen) met een verminderd fysiek, sensorisch of geestelijk vermogen, of gebrek aan ervaring en kennis.
- Dit apparaat mag onder geen enkele omstandigheid worden gebruikt door kinderen.
- Houd het apparaat en het netsnoer buiten bereik van kinderen.
- Kinderen mogen niet met het apparaat spelen.
- Koppel het apparaat altijd los van het lichtnet als het onbeheerd wordt achtergelaten en voordat het apparaat wordt gemonteerd, gedemonteerd of gereinigd.
- Laat het apparaat nooit onbeheerd achter tijdens gebruik.

---

## Speciale veiligheidsvoorschriften

- Gebruik de machine alleen zoals in deze handleiding is beschreven.
- Deze machine moet door gespecialiseerd, opgeleid personeel worden bediend en geïnstalleerd in keukens in de voedingsmiddelenindustrie.
- Alle onderhouds-, installatie- en reparatiewerkzaamheden moeten worden uitgevoerd door gespecialiseerde, opgeleide en bevoegde monteurs.
- Plaats de machine niet op verwarmingsapparaten (kookplaat op benzine, elektriciteit, houtskool enz.). Houd het apparaat uit de buurt van enige hete oppervlakken en open vuur. Gebruik de machine altijd op een vlakke, stabiele, schone, hittebestendige en droge ondergrond.
- Gebruik de machine niet in de buurt van explosieve of brandbare materialen, creditcards, magnetische schijven of radio's.
- Draag tijdens het bedienen indien nodig beschermende kleding, een masker of veiligheidsbril.
- Deze machine is niet bestemd om te worden bediend door middel van een externe timer of afzonderlijk afstandsbediend systeem.
- Overbrug nooit enige veiligheidsvergrendelingen op de machine.
- **WAARSCHUWING:** Houd alle ventilatieopeningen in het apparaat vrij van belemmeringen.
- **WAARSCHUWING:** Schakel de machine voor reinigen, onderhoud of opslag ALTIJD uit en haal de stekker uit het stopcontact.
- **WAARSCHUWING!** Houd ALTIJD uw handen, lang haar en kleding uit de buurt van de bewegende onderdelen.
- Laat tijdens het gebruik ten minste 20 cm ruimte om het apparaat vrij voor ventilatiedoelinden.



- **Voorzichtig!** Voer indien nodig het netsnoer op veilige wijze, om te voorkomen dat er onbedoeld aan wordt getrokken of het in contact komt met verwarmingsoppervlakken.
- Steek geen handen in de kanset wanneer de machine in bedrijf is.
- Doe niet teveel ingrediënten in de kan om het overlopen van voedingsmiddelen te voorkomen.
- **WAARSCHUWING!** Vul de kan niet boven de markering **MAX**.
- **WAARSCHUWING!** Te blenden vloeistoffen moeten op of onder kamertemperatuur zijn. Als u warme vloeistoffen wilt blenden, zorg er dan voor dat de deksel van de kan goed is geplaatst en gebruik de lage snelheid voor het verwerken. Risico op brandwonden, dus wees voorzichtig.
- Was de machine niet af met water of een waterstraal. Het afwassen met water kan lekkages veroorzaken en het risico op elektrische schokken verhogen. De onderdelen zijn niet vaatwasserbestendig.
- Laat de machine volledig afkoelen voordat u deze reinigt of opbergt.
- Verplaats de machine niet als deze in bedrijf is. Haal de stekker van de machine uit het stopcontact wanneer u de machine verplaatst en houd hem aan de onderkant beet.
- Gebruik de machine niet zonder ingrediënten om oververhitting te vermijden.
- Zorg ervoor dat de machine is uitgeschakeld (0) en de draaiknop voor de snelheid in de stand "laag" staat voordat u de kanset verwijdert

NL

### Beoogd gebruik

- Het apparaat is bestemd voor professioneel gebruik.
- Dit apparaat is ontworpen voor het blenden en mengen van voedingsmiddelen. Elk ander gebruik kan leiden tot schade aan het apparaat of lichamelijk letsel.
- Gebruik van het apparaat voor andere doeleinden wordt beschouwd als verkeerd gebruik van het apparaat. De gebruiker is volledig aansprakelijk voor alle risico's die voortvloeien uit verkeerd gebruik van het apparaat.

### Installatie met aarding

Dit apparaat is geclassificeerd als een apparaat met beschermingsklasse I en moet op een aarde worden aangesloten. Aarding vermindert het risico op elektrische schokken door te voorzien in een ontsnappingsdraad voor de elektrische


stroom. Dit apparaat is voorzien van een netsnoer met aardendraad en een geaarde stekker. De stekker moet in een goed geïnstalleerd en geaard stopcontact worden gestoken.





## Belangrijkste onderdelen van de machine



1. Aan/uit-schakelaar (0 / I)  
: Zet deze in de stand "I" om de machine in te schakelen;  
: Zet deze weer in de stand "0" om de machine uit te schakelen
2. Draaiknop voor de snelheid (laag tot hoog)  
: Draai met de klok mee om het toerental te verhogen;  
: Draai tegen de klok in om het toerental te verlagen.
3. Pulstoets (0 / II)   
Pulsbeweging op volle snelheid. Druk deze omlaag om hem te bedienen, laat de toets los om te stoppen.
4. Onderkant van het voetstuk voor de motoreenheid
5. Motoreenheid
6. Messensamenstel
7. Kanset
8. Deksel van de kan
9. Dop van de afdekking
10. Beschermpak

## Speciale veiligheidsvoorzieningen

**BELANGRIJK:** Deze machine is voorzien van een speciaal ontworpen veiligheidsvoorziening: Beschermpak (10).

De machine kan alleen werken wanneer de beschermpak (10) is gesloten en de kan (7) juist op de motoreenheid (5) is geplaatst.

## Vorbereidingen voor de installatie

- Verwijder alle beschermende verpakkingsmaterialen.
- Controleer de machine op compleetheid en transportschade. Neem onmiddellijk contact op met de leverancier in geval van incomplete levering (bijv. deksel van de kan, enz.) of schade. Gebruik de machine NIET. (Zie ==> Garantie).

- Reinig de machine en de kan (7) voor het gebruik (Zie ==> Reiniging en Onderhoud).
- Zorg ervoor dat het apparaat volledig droog is.

## Installatie

- Lees deze handleiding voor de installatie en bediening grondig en zorgvuldig door.
- Zorg ervoor dat de machine wordt geplaatst in een droge ruimte en dat de ondergrond sterk genoeg is om de machine te ondersteunen. Zorg er ook voor dat er tijdens het gebruik van de machine geen belemmeringen in de buurt zijn.

- Zorg ervoor dat de elektrische stroomvoorziening overeenkomt met het typeplaatje op de machine.

**VOORZICHTIG!** Overbrug nooit enige micro-veiligheidsschakelaar.




## Transport

- Verplaats de machine niet als deze in bedrijf is. Haal de stekker van de machine uit het stopcontact wanneer u de machine verplaatst.
- Verwijder bij verplaatsen altijd de kanset (7).
- Til de machine bij verplaatsen alleen op aan de onderkant van de motoreenheid (4).

## Bediening

**Opmerking:** Om veiligheidsredenen kan het apparaat alleen in werking worden gesteld wanneer de kanset (6) juist op de motoreenheid (5) is geplaatst en de beschermkap (10) goed is gesloten.

- Controleer of de aan-/uitschakelaar (1) zich in de stand "0" bevindt en draai de draaiknop voor de snelheid (2) naar de stand "laag".
- Haal de stekker van de machine uit het stopcontact en open de beschermkap (10), haal de kanset (7) uit de motoreenheid (5).
- Gied alle ingrediënten in de kan (7) en sluit het deksel (8) en plaats de dop van de afdekking (9) op de juiste wijze.
- Zet de hele kanset (7) op de motoreenheid (5) en sluit de beschermkap (10).
- Steek de stekker in een geschikt stopcontact.
- Schakel de machine in door op aan-/uitschakelaar (1) in de stand "I" te zetten en selecteer een geschikte snelheid door aan de draaiknop voor de snelheid (2) te draaien.

Instellen draaiknop voor de snelheid (2)	Beschrijving
Lage snelheid	Voor het mengen van vloeistoffen
Hoge snelheid	Voor mengen vloeistoffen en vaste ingrediënten
Pulsfunctie (0 / II) 	Voor het malen van ijs of korte impulsbewegingen. Opmerking: Gebruik de pulsfunctie ieder keer gedurende 1 ~ 2 seconden. Herhaal dit indien nodig enkele keren.

Draai na gebruik de aan-/uitschakelaar (1) altijd naar de stand "0" en haal de stekker uit het stopcontact.

Opmerkingen:

1. Voeg achtereenvolgens kleine hoeveelheden toe, niet alle ingrediënten tegelijk, voor de beste resultaten bij het blenden van vaste voedingsmiddelen.
2. Begin altijd op een lagere snelheid. Schakel indien nodig om naar de hogere snelheid of naar de "pulsfunctie", zodat het bladsamenstel (6) niet vastloopt.
3. Gebruik deze machine niet om harde voedingsmiddelen, zoals noten, te blenden.
4. Vul de kan (7) niet met vloeistoffen tot boven de markering **MAX**.
5. Te blenden vloeistoffen moeten op of onder kamertemperatuur zijn. Als u warme vloeistoffen wilt blenden, zorg er dan voor dat het deksel van de kan (8) goed is geplaatst en gebruik de lage snelheid voor het verwerken. Risico op brandwonden, dus wees voorzichtig.
6. Laat de machine niet te lang achter elkaar werken, vanwege het lawaai dat het gehoor kan beschadigen.

## Reiniging en Onderhoud

**Let op:** Haal altijd de stekker van het apparaat uit het stopcontact en laat het volledig afkoelen voordat u het reinigt, onderhoudt, repareert of opbergt.

### Reinigen

- Reinig de machine en de kan (9) na ieder gebruik en zorg ervoor dat alle voedselresten worden verwijderd.
- Dompel het apparaat nooit onder in water of andere vloeistoffen.
- Reinig het oppervlak met een licht vochtige doek of spons met wat zacht sop.
- Gebruik nooit schuursponsjes, reinigingsmiddelen, staalwol of metalen keukengerei om de in- of uitwendige onderdelen van het apparaat te reinigen.
- Was de machine NIET af met water of een waterstraal. Het afwassen met water kan lekkages veroorzaken en het risico op elektrische schokken verhogen.
- Er zijn geen onderdelen vaatwasserbestendig.

### Aanbevolen reinigingsprocedure:

Onderdelen	Reinigen	Frequentie
Motoreenheid (5)	- Dompel dit onderdeel nooit onder in water of andere vloeistoffen. - Gebruik een vochtige doek met wat reinigingsmiddel en water; spoel en droog het grondig af.	Reinig na ieder gebruik
Kan, deksel en dop	- Reinig deze met wat water en een beetje zacht reinigingsmiddel. - Spoel ze dan af onder stromend water. - Droog alle onderdelen af voordat u ze weer gebruikt.	Reinig na ieder gebruik
Messensamenstel (6)	- Waarschuwing! Risico op letsel! Wees zeer voorzichtig bij het reinigen van de messen. - Reinig deze met wat water en een beetje zacht reinigingsmiddel. - Droog alle onderdelen af voordat u ze weer gebruikt.	Reinig na ieder gebruik

NL

### Opslag

- Zorg er voor het opbergen altijd voor dat het de stekker apparaat uit het stopcontact is gehaald en het volledig is afgekoeld.
- Berg het apparaat op een koele, schone en droge plaats op.



## Probleemoplossing

Als het apparaat niet goed werkt, controleer dan onderstaande tabel voor de oplossing. Als u het probleem nog steeds niet kunt oplossen, neem dan contact op met de leverancier/dienstverlener.

Problemen	Mogelijke oorzaken	Mogelijke oplossing
De machine draait niet	Beschermkap (10) is niet goed gesloten.	Controleer dat de beschermkap (10) goed is gesloten.
	De kan (7) is niet juist geplaatst.	Controleer dat de kan (7) juist is geplaatst.
	Er wordt niet op de aan-/uitschakelaar (1) gedrukt	Druk op de aan-/uitschakelaar (1)
De machine stopt als deze in bedrijf is	Ingebouwde overbelastingsbeveiliging geactiveerd.	- Schakel de machine uit door de schakelaar (1) in de stand "0" te zetten en haal dan de stekker van de machine uit het stopcontact. - Laat de machine gedurende ongeveer 30 minuten afkoelen en begin dan opnieuw.

## Technische specificaties

Artikelnr.: 230688, 230602

Bedrijfsspanning en frequentie: 220-240V~ 50/60Hz

Hz nominaal ingangsvermogen: 1,680W

Beschermingsklasse: klasse I

Waterdichte beschermingsklasse: IP23

Maximale capaciteit: 2,5L

Afmetingen: 252x258x(H)547mm

Netto gewicht: ong. 9,7kg

Geluidsniveau: ≤ 85dB(A)

Onbelast toerental (tpm):

- Minimaal: 16,000 +/- 10%

- Maximaal: 24,800 +/- 10%

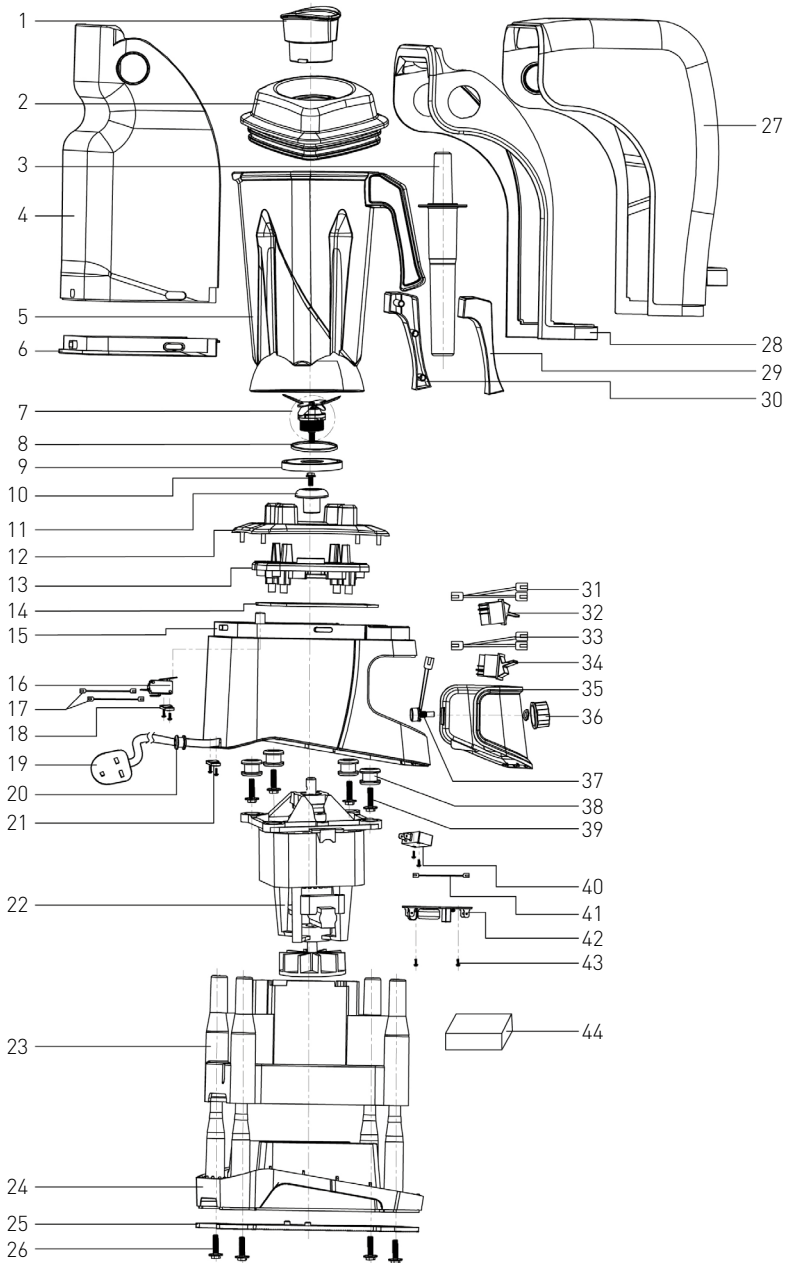
Materiaal kan: Tritan (230602), PC (230688)

NL

**Opmerking:** De technische specificaties zijn onderworpen aan wijzigingen zonder voorafgaande kennisgeving.



Opengewerkte tekening van de machine

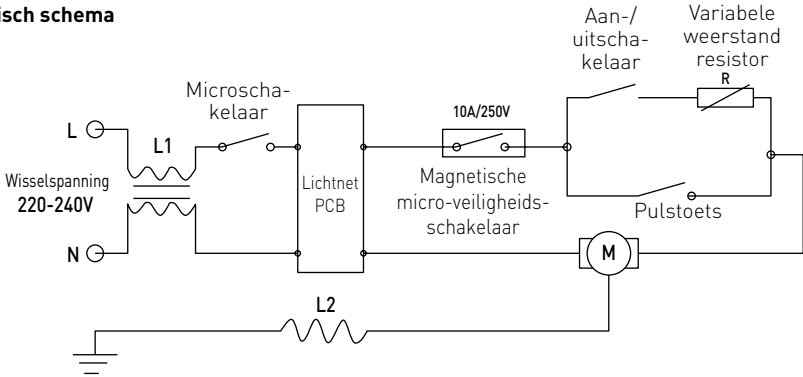


NL

## Onderdelenlijst van de machine

Onder-deelnr.	Naam onderdeel	Aantal	Onder-deelnr.	Naam onderdeel	Aantal
1	Dop van de afdekking	1	23	Binnenste behuizing motor	1
2	Deksel van de kan	1	24	Onderkant behuizing	1
3	Stamper (niet meegeleverd)	1	25	Bodemplaat	1
4	Beschermkap (achterkant)	1	26	Bevestigingsschroef	4
5	Kanset	1	27	Beschermkap (voorkant)	1
6	Rubberen pakking beschermkap (achterkant)	1	28	Beschermkap (binnenkant)	1
7	Messensamenstel	1	29	Linker afdekking handgreep kan	1
8	Pakkingring van het messensamenstel	1	30	Rechter afdekking handgreep kan	1
9	Grote pakkingring	1	31	Inwendige draadklem voor pulstoets	1
10	Bevestigingsschroef	1	32	Pulstoets	1
11	Koppeling	1	33	Inwendige draadklem voor aan-/uitschakelaar	1
12	Kanhouder	1	34	Aan-/uitschakelaar	1
13	Steun voor kanhouder	1	35	Afdekking bedieningspaneel	1
14	Rubberen pakking voor afdekking	1	36	Draaiknop voor snelheid	1
15	Buitenste behuizing motor	1	37	Inwendige draadklem voor draaiknop voor snelheid	1
16	Samenstel micro-veiligheidschakelaar	1	38	Schokdempers	4
17	Interne draadaansluitklem voor micro-veiligheidsschakelaar	1	39	Bevestigingsschroeven voor schokdempers	4
18	Bevestigingsschroeven voor de microscharakelaar	2	40	Samenstel magnetische microscharakelaar	1
19	Netstekker	1	41	Interne draadaansluitklem voor de magnetische schakelaar	1
20	Netsnoer	1	42	PCB-samenstel	1
21	Klem voor netsnoer	1	43	Bevestigingsschroeven voor het PCB-samenstel	4
22	Motorsamenstel	1	44	Geluidsabsorberend katoen	1

## Elektrisch schema



## Garantie

Elk defect waardoor de werking van het apparaat nadelig wordt beïnvloed dat zich binnen één jaar na aankoop van het apparaat voordoet, wordt gratis hersteld door reparatie of vervanging, mits het apparaat conform de instructies is gebruikt en onderhouden en niet op enigerlei wijze verkeerd is behandeld of misbruikt. Dit laat onverlet uw bij wet bepaalde rechten. Als de garantie van kracht is, vermeld dan waar en wan-

neer u het apparaat hebt gekocht en sluit een aankoopbewijs bij (bijv. kassabon of factuur).

Gezien ons streven naar voortdurende verdere productontwikkeling behouden wij ons het recht voor, zonder voorafgaande kennisgeving wijzigingen aan te brengen aan product, verpakking en documentatie.

## Verwijdering & milieu

Bij de buitengebruikstelling van het apparaat, mag het niet met het overige huisafval worden verwijderd. In plaats daarvan is het uw verantwoordelijkheid om uw afgedankte apparatuur in te leveren bij een daartoe aangewezen inzamelpunt. Het niet opvolgen van deze regel kan worden bestraft in overeenstemming met de geldende voorschriften voor afvalverwerking. De gescheiden inzameling en recycling van uw afgedankte apparatuur ten tijde van buitengebruikstelling helpt bij de instandhouding van


natuurlijke hulpbronnen en waarborgt dat de apparatuur wordt gerecycled op een manier die de volksgezondheid en het milieu beschermt. Voor meer informatie over waar u uw afval kunt inleveren voor recycling kunt u contact opnemen met uw lokale afvalverwerkingsbedrijf. De fabrikant en importeurs nemen geen verantwoordelijkheid voor de recycling, behandeling en ecologische verwijdering, hetzij rechtstreeks of via een openbaar systeem.



Szanowny Kliencie,

Dziękujemy za zakup urządzenia firmy Hendi. Prosimy o uważne zapoznanie się z niniejszą instrukcją przed podłączeniem urządzenia, aby uniknąć uszkodzeń spowodowanych niewłaściwą obsługą. Należy zwrócić szczególną uwagę na zasady bezpieczeństwa.

## Zasady bezpieczeństwa

- Nieprawidłowa obsługa i niewłaściwe użytkowanie mogą spowodować poważne uszkodzenie urządzenia lub zranienie osób.
- Niniejsze urządzenie przeznaczone jest do użytku komercyjnego.
- Urządzenie należy stosować wyłącznie zgodnie z przeznaczeniem. Producent nie ponosi żadnej odpowiedzialności za szkody spowodowane nieprawidłową obsługą i niewłaściwym użytkowaniem urządzenia.
- W czasie użytkowania zabezpiecz urządzenie i wtyczkę kabla zasilającego przed kontaktem z wodą lub innymi płynami. W mało prawdopodobnym przypadku zanurzenia urządzenia w wodzie, należy natychmiast wyciągnąć wtyczkę z kontaktu, a następnie zlecić kontrolę urządzenia specjalistcie. Nieprzestrzeganie tej instrukcji może spowodować zagrożenie życia.
- Nigdy nie otwieraj samodzielnie obudowy urządzenia.
- Nie wtykaj żadnych przedmiotów w obudowę urządzenia.
- Nie dotykaj wtyczki kabla zasilającego wilgotnymi rękami.
-  **Niebezpieczeństwo porażenia prądem!** Nie należy samodzielnie naprawiać urządzenia. Wszelkie usterki i niesprawności winny być usuwane wyłącznie przez wykwalifikowany personel.
- **Nigdy nie używać uszkodzonego urządzenia!** Uszkodzone urządzenie należy odłączyć od sieci i skontaktować się ze sprzedawcą.
- **Ostrzeżenie:** Nie zanurzać części elektrycznych urządzenia w wodzie ani w innych płynach. Nie wkładać urządzenia pod bieżącą wodę.
- Regularnie sprawdzać wtyczkę i sznur zasilający pod kątem uszkodzeń. Uszkodzoną wtyczkę lub sznur przekazać w celu naprawy do punktu serwisowego lub innej wykwalifikowanej osoby, aby zapobiec ewentualnym zagrożeniom i obrażeniom ciała.
- Upewnić się, czy sznur zasilający nie styka się z ostrymi ani gorącymi przedmiotami; trzymać sznur z dala od otwartego płomienia. Aby wyjąć wtyczkę z gniazdka, zawsze ciągnąć za wtyczkę, a nie za sznur.
- Zabezpieczyć sznur zasilający (lub przedłużający) przez przypadkowym wyciągnięciem z kontaktu. Sznur prowadzić w sposób uniemożliwiający przypadkowe potknięcie.
- Stale nadzorować urządzenie podczas użytkowania.
- **Ostrzeżenie!** Jeżeli wtyczka jest włożona do gniazdka, urządzenie należy uważać za podłączone do zasilania.
- Przed wyjęciem wtyczki z gniazdka wyłączyć urządzenie!
- Nigdy nie przenosić urządzenia, trzymając za sznur.

PL





- Nie używać żadnych akcesoriów, które nie zostały dostarczone wraz z urządzeniem.
- Urządzenie należy podłączać wyłącznie do gniazdka o napięciu i częstotliwości podanych na tabliczce znamionowej.
- Włożyć wtyczkę do gniazdka zlokalizowanego w dogodnym łatwo dostępnym miejscu, tak by w przypadku awarii istniała możliwość natychmiastowego odłączenia urządzenia. W celu całkowitego wyłączenia urządzenia odłączyć je od źródła zasilania. W tym celu wyjąć z gniazdka wtyczkę znajdującą się na końcu sznura odłączanego urządzenia.
- Przed odłączeniem wtyczki zawsze pamiętać o wyłączeniu urządzenia!
- Nie korzystać z akcesoriów niezalecanych przez producenta. Zastosowanie niezalecanych akcesoriów może stwarzać zagrożenie dla użytkownika oraz prowadzić do uszkodzenia urządzenia. Korzystać wyłącznie z oryginalnych części i akcesoriów.
- Z urządzenia nie mogą korzystać osoby (także dzieci), u których stwierdzono ostabione zdolności fizyczne, sensoryczne lub umysłowe, albo którym brakuje odpowiedniej wiedzy i doświadczenia.
- W żadnym wypadku nie zezwalać na obsługę urządzenia przez dzieci.
- Urządzenie wraz ze sznurem przechowywać poza zasięgiem dzieci.
- Nie dopuścić, by dzieci wykorzystywały urządzenie do zabawy.
- Zawsze odłączyć urządzenie od zasilania, jeżeli ma być ono pozostawione bez nadzoru, a także przed montażem, demontażem i czyszczeniem.
- Nie zostawiać urządzenia bez nadzoru podczas użytkowania.

## Specjalne przepisy bezpieczeństwa

- Urządzenia należy używać zgodnie z instrukcją.
- Urządzenie powinno być obsługiwane i instalowane przez przeszkolony personel w kuchni lokalu gastronomicznego.
- Wszelkie prace konserwacyjne, instalacyjne i naprawcze powinni wykonywać przeszkoleni i upoważnieni specjaliści.
- Nie umieszczać urządzenia na urządzeniu grzewczym (kuchence gazowej, elektrycznej, węglowej itd.). Trzymać urządzenie z dala od gorących powierzchni i otwartego ognia. Zawsze używać urządzenia na równej, stabilnej, czystej, odpornej na wysoką temperaturę i suchej powierzchni.
- Nie używać urządzenia w pobliżu materiałów wybuchowych lub łatwopalnych, kart kredytowych, dysków magnetycznych ani odbiorników radiowych.
- W razie potrzeby podczas korzystania z urządzenia nosić odzież, maskę i okulary ochronne.
- Tego urządzenia nie należy obsługiwać zewnętrznym czasomierzem ani oddzielnym systemem zdalnego sterowania.
- Nigdy nie omijać żadnych blokad bezpieczeństwa urządzenia.
- **OSTRZEŻENIE:** Wszystkie otwory wentylacyjne na obudowie urządzenia muszą być odstępione.



- **OSTRZEŻENIE:** Przed czyszczeniem, wykonywaniem prac konserwacyjnych i umieszczeniem w miejscu przechowywania ZAWSZE wyłączyć urządzenie i odłączyć od gniazda sieci elektrycznej.
- **OSTRZEŻENIE:** Dłonie, długie włosy i ubranie ZAWSZE powinny znajdować się z dala od ruchomych części urządzenia.
- Wokół urządzenia powinno znajdować się przynajmniej 20 cm wolnej przestrzeni w celu wentylacji.
- **Środek ostrożności!** W razie potrzeby bezpiecznie utożyc przewód zasilający, aby uniknąć przypadkowego pociągnięcia lub kontaktu z powierzchnią grzewczą.
- Nie umieszczać dłoni w zestawie dzbanka, kiedy maszyna pracuje.
- Nie wkładać zbyt wielu składników, aby zapobiec wylaniu się produktu z urządzenia.
- **OSTRZEŻENIE:** Nie wypełniać dzbanka powyżej poziomu **MAX**.
- **OSTRZEŻENIE:** Płyny przeznaczone do mieszania nie mogą mieć temperatury wyższej od temperatury pokojowej. Przed użyciem urządzenia do mieszania ciepłych płynów należy ustawić niską prędkość działania i upewnić się, że pokrywa dzbanka jest prawidłowo założona. Należy zachować ostrożność w związku z ryzykiem poparzenia.
- Nie należy myć urządzenia wodą ani strumieniem wodnym. Mycie wodą może skutkować przeciekaniem i zwiększać ryzyko porażenia prądem. Części urządzenia nie nadają się do mycia w zmywarce.
- Przed czyszczeniem lub umieszczeniem w miejscu przechowywania odczekać, aż urządzenie ostygnie.
- Nie przestawiać urządzenia podczas działania. Przed przeniesieniem urządzenie należy odłączyć od gniazda. Urządzenie należy trzymać od spodu.
- Nie używać urządzenia bez składników w środku, aby uniknąć przegrzania.
- Przed wyjęciem dzbanka należy upewnić się, że urządzenie jest wyłączone (0), a pokrętko prędkości znajduje się w położeniu „Low” (Niska).

### Przeznaczenie

- Urządzenie przeznaczone jest do zastosowania profesjonalnego.
- Urządzenie przeznaczone jest do miksowania i mieszania żywności. Użycie urządzenia w jakimkolwiek innym celu może prowadzić do jego uszkodzenia lub do obrażeń ciała.
- Wykorzystanie urządzenia w jakimkolwiek innym celu uznane będzie za wykorzystanie niezgodne z przeznaczeniem. Użytkownik będzie wyłącznie odpowiedzialny za nieprawidłowe wykorzystanie urządzenia.


### Montaż uziemienia

Jest to urządzenie o ochronności klasy I, które wymaga podłączenia do uziemienia ochronnego. Instalacja uziemiająca jest wyposażona w przewód odprowadzający prąd elektryczny, co ogra-

nicza ryzyko porażenia prądem. Urządzenie jest wyposażone w przewód uziemiający z wtyczką uziemiającą. Wtyczkę należy podłączyć do prawidłowo zainstalowanego i uziemionego gniazda.

## Główne części urządzenia



1. Włącznik zasilania (0 / I)  
: Przesławić do położenia „I”, aby włączyć urządzenie;  
: Przesławić ponownie do położenia „0”, aby wyłączyć urządzenie;
2. Pokrętko prędkości (od niskiej do wysokiej)  
: przekręcenie w prawo spowoduje zwiększenie prędkości obracania;  
: przekręcenie w lewo spowoduje zmniejszenie prędkości obracania.
3. Przycisk pracy pulsacyjnej (0 / II)   
Praca pulsacyjna z pełną prędkością. Należy nacisnąć w dół, aby włączyć, zwolnić – aby zatrzymać.
4. Dół jednostki silnika
5. Silnik
6. Zespół ostrzy
7. Zestaw dzbanka
8. Pokrywa dzbanka
9. Nasadka ostony
10. Ostona ochronna

## Specjalne funkcje bezpieczeństwa

**WAŻNE:** Urządzenie jest wyposażone w specjalną funkcję bezpieczeństwa: ostonę ochronną (10).

Urządzenia można używać wyłącznie wtedy, gdy ostona ochronna (10) jest zamknięta, a dzbanek (7) prawidłowo zamontowany na jednostce silnika (5).

## Przygotowanie przed montażem

- Zdjąć opakowanie zabezpieczające.
- Sprawdzić, czy urządzenie nie zostało uszkodzone w trakcie transportu i czy nie brakuje żadnych części. Jeśli brakuje jakiejś części (np. pokrywy dzbanka) lub urządzenie jest uszkodzone, należy natychmiast skontaktować się z dostawcą. NIE używać urządzenia (więcej informacji w punkcie Gwarancja).

- Przed użyciem należy wyczyścić urządzenie i dzbanek (7) (więcej informacji w punkcie Czyszczenie i konserwacja).
- Należy upewnić się, że urządzenie jest całkowicie suche.

## Montaż

- Przed montażem i użytkowaniem urządzenia należy dokładnie przeczytać tę instrukcję.
- Urządzenie należy umieszczać na suchej i wytrzymałej powierzchni. W pobliżu działającego urządzenia nie może znajdować się nic, co utrudniłoby jego pracę.

- Należy upewnić się, że źródło zasilania jest zgodne z informacjami umieszczonymi na etykiecie urządzenia.

**OSTRZEŻENIE!** Nigdy nie należy omijać żadnych mikroprzełączników zabezpieczających.




## Transport

- Nie przestawiać urządzenia podczas działania. Przed przeniesieniem urządzenie należy odłączyć od gniazdka.
- Zawsze przed przenoszeniem urządzenia należy wyjąć dzbanek (7).
- Podczas przenoszenia należy trzymać urządzenie wyłączone za dół jednostki silnika (4).

## Działanie

**Uwaga:** Ze względów bezpieczeństwa urządzenie można uruchomić dopiero po prawidłowym zamontowaniu dzbanka (6) na jednostce silnika (5) oraz zamknięciu ostony ochronnej (10).

- Sprawdzić, czy włącznik zasilania (1) jest ustawiony w położeniu „0”, a pokrętło prędkości (2) znajduje się w położeniu „Low” (Niska).
- Odłączyć urządzenie od zasilania, otworzyć ostonę ochronną (10) i wyjąć dzbanek (7) z jednostki silnika (5).
- Umieścić wszystkie składniki w dzbanku (7), założyć pokrywę (8) i prawidłowo założyć nasadkę ostony (9).
- Umieścić cały dzbanek (7) na jednostce silnika (5) i zamknąć ostonę ochronną (10).
- Podłączyć wtyczkę do odpowiedniego gniazdka elektrycznego.
- Włączyć urządzenie, przestawiając włącznik zasilania (1) do położenia „I”, a następnie wybrać prędkość, obracając pokrętło prędkości (2).

Ustawienie pokrętła prędkości (2)	Opis
Niska prędkość	Do mieszania płynów
Wysoka prędkość	Do mieszania składników płynnych i stałych
Funkcja pracy pulsacyjnej (0 / III) 	Do kruszenia lodu lub krótkiej pracy pulsacyjnej o dużej mocy. Uwaga: Funkcji pracy pulsacyjnej należy używać przez 1–2 sekundy. W razie konieczności można kilka razy powtórzyć działanie.

Po zakończeniu korzystania z urządzenia zawsze należy przestawić włącznik zasilania (1) do położenia „0”, a następnie odłączyć wtyczkę od gniazda zasilania.

### Remarks:

1. Aby uzyskać najlepsze rezultaty miksowania żywności w postaci stałej, należy dodawać małe porcje po kolei, a nie wszystkie składniki naraz.
2. Zawsze należy zaczynać od niskiej prędkości. W razie potrzeby przetestować następnie na większą prędkość albo na funkcję „Pulse”, aby nie zablokować podzespołu topatek (6).
3. Nie używać urządzenia do miksowania twardej żywności, np. orzechów.
4. Nie wypetniać dzbanka (7) powyżej poziomu **MAX**.
5. Płyny przeznaczone do mieszania nie mogą mieć temperatury wyższej od temperatury pokojowej. Przed użyciem urządzenia do mieszania gorących płynów należy ustawić niską prędkość działania i upewnić się, że pokrywa dzbanka (8) jest prawidłowo założona. Należy zachować ostrożność w związku z ryzykiem poparzenia.
6. Należy unikać działania urządzenia przez długi czas, ponieważ głośny hałas może uszkodzić słuch.



## Czyszczenie i konserwacja

**Uwaga:** Przed czyszczeniem, konserwacją, naprawą i umieszczeniem w miejscu przechowywania zawsze należy odłączyć urządzenie od gniazda sieci elektrycznej i zaczekać, aż całkowicie ostygnie.

### Czyszczenie

- Po każdym użyciu należy wyczyścić urządzenie oraz dzbanek (7) i upewnić się, że wszystkie resztki jedzenia zostały usunięte.
- Nigdy nie zanurzać urządzenia w wodzie ani innych płynach.
- Zewnętrzną powierzchnię należy czyścić delikatnie zwilżoną ściereczką lub gąbką z roztworem łagodnego mydła.
- Nigdy nie używać szorstkiej gąbki ani detergentów, druciaka ani metalowych przyrządów do czyszczenia wewnętrznych lub zewnętrznych części urządzenia.
- NIE należy myć urządzenia wodą ani strumieniem wodnym. Mycie wodą może skutkować przeciekaniem i zwiększać ryzyko porażenia prądem.
- Części urządzenia nie nadają się do mycia w zmywarce.

### Zalecana procedura czyszczenia:

Części	Czyszczenie	Częstotliwość
Jednostka silnika (5)	- Nigdy nie zanurzać tej części w wodzie ani w innych płynach. - Dokładnie przemyć i zdezynfekować przy użyciu zwilżonej ściereczki, detergentu i wody, a następnie osuszyć.	Czyścić po każdym użyciu
Dzbanek, pokrywa i nasadka	- Wyczyścić wodą i łagodnym detergentem. - Następnie sputkać pod bieżącą wodą. - Przed ponownym użyciem wysuszyć wszystkie części.	Czyścić po każdym użyciu
Zespół ostrzy (6)	- Ostrzeżenie! Ryzyko obrażeń! Podczas czyszczenia ostrzy należy zachować szczególną ostrożność. - Wyczyścić wodą i łagodnym detergentem. - Przed ponownym użyciem wysuszyć wszystkie części.	Czyścić po każdym użyciu

### Przechowywanie

- Przed umieszczeniem w miejscu przechowywania zawsze odłącz urządzenie od gniazda i zaczekaj, aż całkowicie ostygnie.
- Urządzenie należy przechowywać w chłodnym, suchym i suchym miejscu.



## Rozwiązywanie problemów

Jeżeli urządzenie nie działa prawidłowo, należy spróbować znaleźć rozwiązanie w poniższej tabeli. Jeżeli nadal nie można rozwiązać problemu, należy skontaktować się z dostawcą/dostawcą usługi.

Problemy	Możliwe przyczyny	Możliwe rozwiązanie
Urządzenie nie uruchamia się	Ostona ochronna [10] nie jest prawidłowo zamknięta.	Należy upewnić się, że ostona ochronna [10] jest prawidłowo zamknięta.
	Dzbanek [7] nie jest prawidłowo zamontowany.	Należy upewnić się, że dzbanek [7] jest prawidłowo zamontowany.
	Nie naciśnięto włącznika zasilania [1]	Należy nacisnąć włącznik zasilania [1]
Urządzenie przestaje pracować	Wbudowane urządzenie przeciwprzeciążeniowe włączone.	<ul style="list-style-type: none"><li>- Wyłącz urządzenie, ustawiając przełącznik [1] w położeniu „0”, a następnie odłącz urządzenie od zasilania.</li><li>- Należy odczekać 30 minut, aż urządzenie ostygnie, a następnie ponownie je uruchomić.</li></ul>

## Specyfikacja techniczna

Nr artykułu: 230688, 230602

Napięcie robocze i częstotliwość:

220-240V~ 50/60Hz

Moc znamionowa: 1680 W

Klasa ochronności: klasa I

Stopień ochrony przed wnikaniem wody: IP23

Pojemność maksymalna: 2,5L

Wymiary :252x258x(H)547mm

Masa netto : ok. 9,7 kg

Noise level: < 85dB(A)

Prędkość obrotowa bez obciążenia (obr./min):

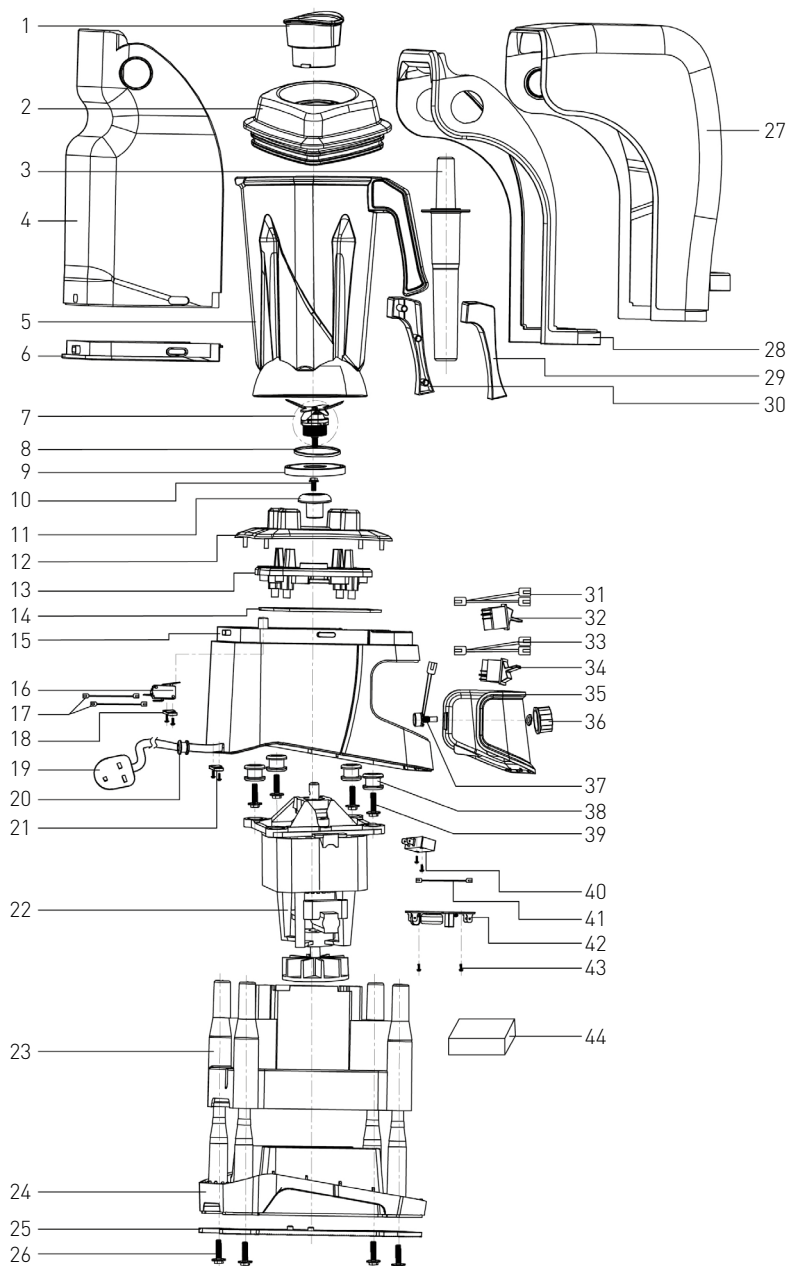
- Minimum: 16,000 +/- 10%

- Maximum: 24,800 +/- 10%

Dzbanek wykonany z tworzywa : Tritan (230602), PC (230688)

**Uwaga: Specyfikacja techniczna może zostać zmieniona bez wcześniejszego powiadomienia.**

# Rysunek rozłożonego urządzenia



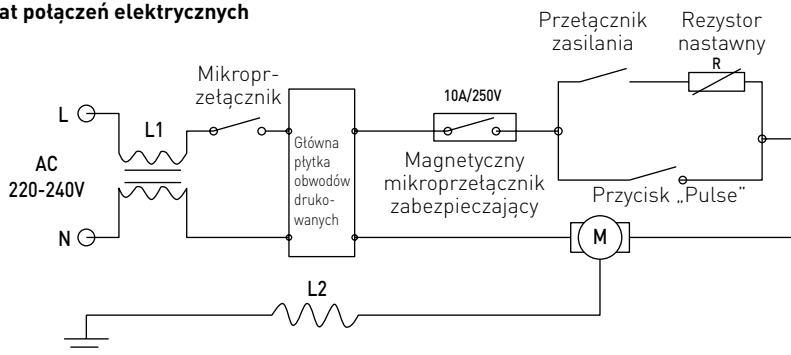
PL

## Lista części urządzenia

Nr części	Nazwa części	Ilość	Nr części	Nazwa części	Ilość
1	Nasadka ostony	1	23	Obudowa wewnętrzna silnika	1
2	Pokrywa dzbanka	1	24	Obudowa dolna	1
3	Ubijaczka (nie dołączone)	1	25	Płyta dolna	1
4	Ostona ochronna (tylna)	1	26	Śruba mocująca	4
5	Zestaw dzbanka	1	27	Ostona ochronna (przednia)	1
6	Gumowa uszczelka ostony ochronnej (tylnej)	1	28	Ostona ochronna (wewnętrzna)	1
7	Zespót ostrzy	1	29	Lewa ostona uchwytu dzbanka	1
8	Pierścień uszczelniający zespołu ostrzy	1	30	Prawa ostona uchwytu dzbanka	1
9	Duży pierścień uszczelniający	1	31	Zacisk przewodu wewnętrznego dla przycisku impulsowego	1
10	Śruba mocująca	1	32	Przycisk „Pulse”	1
11	Zaczep	1	33	Zacisk przewodu wewnętrznego dla przetłacznika zasilania elektrycznego	1
12	Uchwyt dzbanka	1	34	Przetłacznik zasilania	1
13	Wsparcie uchwytu dzbanka	1	35	Pokrywa panelu sterowania	1
14	Ostona gumowej uszczelki	1	36	Pokrętło prędkości	1
15	Obudowa zewnętrzna silnika	1	37	Zacisk przewodu wewnętrznego dla pokrętła prędkości	1
16	Zespót mikroprzetłacznika zabezpieczającego	1	38	Amortyzatory wstrząsów	4
17	Zaciski przewodów wewnętrznych mikroprzetłacznika zabezpieczającego	1	39	Śruby mocujące do amortyzatorów wstrząsów	4
18	Śruby mocujące do mikroprzetłacznika	2	40	Zespót mikroprzetłacznika magnetycznego	1
19	Wtyczka	1	41	Zaciski przewodów wewnętrznych mikroprzetłacznika magnetycznego	1
20	Przewód zasilający	1	42	Zespót płytki obwodów drukowanych	1
21	Zacisk przewodu zasilającego	1	43	Śruby do mocowania zespołu płytki obwodów drukowanych	4
22	Zespót silnika	1	44	Wata pochłaniająca dźwięk	1



## Schemat połączeń elektrycznych



## Gwarancja

Każda wada bądź usterka powodująca niewłaściwe funkcjonowanie urządzenia, która ujawni się w ciągu jednego roku od daty zakupu, zostanie bezpłatnie usunięta lub urządzenie zostanie wymienione na nowe, o ile było użytkowane i konserwowane zgodnie z instrukcją obsługi i nie było wykorzystywane w niewłaściwy sposób lub niezgodnie z przeznaczeniem. Postanowienie to w żadnej mierze nie narusza innych praw użytkownika wynikających z przepisów prawa.

W przypadku zgłoszenia urządzenia do naprawy lub wymiany w ramach gwarancji należy podać miejsce i datę zakupu urządzenia i dotychczas dówód zakupu (np. paragon).

Zgodnie z naszą polityką ciągłego doskonalenia wyrobów zastrzegamy sobie prawo do wprowadzania bez uprzedzenia zmian w wyrobie, opakowaniu oraz danych technicznych podawanych w dokumentacji.

## Wycofanie z użytkowania i ochrona środowiska Pamiętaj!

**Nie wyrzucaj zużytego sprzętu łącznie z innymi odpadami**

**Nie demontuj zużytych urządzeń zawierających niebezpieczne składniki na własną rękę!**

**Groź Ci za to kary grzywny!**

Po zakończeniu eksploatacji produktu nie wolno gromadzić razem z odpadami komunalnymi, tylko należy odstawić do punktu odbioru odpadów elektrycznych i elektronicznych. Użytkownik ponosi odpowiedzialność za przekazanie wycofanego z użytkowania urządzenia do punktu gospodarowania odpadami. Nieprzestrzeganie tej zasady może być karane zgodnie z lokalnie obowiązującymi przepisami dotyczącymi gospodarowania odpadami. Jeśli urządzenie wycofane z użytkowania jest poprawnie odebrane jako osobny odpad, może zostać przetworzone i zutylizowane w sposób przyjazny dla środowiska, co zmniejsza negatywny wpływ na środowisko i zdrowie ludzi. Aby uzyskać więcej informacji dotyczących dostępnych usług w zakresie odbioru odpadów, należy skontaktować się z lokalną firmą odbierającą odpady.



**Symbol przekreślonego kosza na śmieci oznacza, że tego produktu nie wolno wyrzucać do zwykłych pojemników na odpady.**

Zużyte urządzenia elektryczne i elektroniczne mogą zawierać niebezpieczne składniki np. rtęć, ołów, kadm lub freon. Jeśli tego typu substancje przedostaną się w sposób niekontrolowany do środowiska, spowodują skażenie wody i gleby, a także wpłyną niekorzystnie na zdrowie ludzi i zwierząt.

Właściwe postępowanie ze zużytym sprzętem zapobiega potencjalnym negatywnym konsekwencjom dla środowiska naturalnego i ludzkiego zdrowia.


Jednocześnie oszczędzamy naturalne zasoby naszej Ziemi wykorzystując powtórnie surowce uzyskane z przetwarzania sprzętu.



Cher client,

Merci d'avoir acheté cet appareil de HENDI. Veuillez lire attentivement ce mode d'emploi avant de brancher l'appareil afin d'éviter tout endommagement pour cause d'usage abusif. Veuillez notamment lire les consignes de sécurité avec la plus grande attention.

## Règles de sécurité

- L'utilisation abusive et le maniement incorrect de l'appareil peuvent entraîner une grave détérioration de l'appareil ou provoquer des blessures.
- L'appareil est destiné à un usage commercial.
- L'appareil doit être utilisé uniquement pour le but il a été conçu. Le fabricant décline toute responsabilité en cas de dommage consécutif à un usage abusif ou un maniement incorrect.
- Veillez à tenir l'appareil et la prise électrique hors de portée de l'eau ou de tout autre liquide. Si malencontreusement l'appareil tombe dans l'eau, débranchez immédiatement la prise électrique et faites contrôler l'appareil par un réparateur agréé. La non-observation de cette consigne entraîne un risque d'accident mortel.
- Ne tentez jamais de démonter vous-même le bâti de l'appareil.
- N'enfoncez aucun objet dans la carcasse de l'appareil.
- Ne touchez pas la prise avec les mains mouillées ou humides.
-  **Risque d'électrocution!** Ne tentez jamais de réparer l'appareil. Tous défauts et dysfonctionnement doivent être supprimés par le personnel qualifié.
- **N'utilisez jamais l'appareil endommagé!** Débranchez l'appareil endommagé de l'alimentation électrique et contactez votre revendeur.
- **Avertissement:** N'immergez pas les pièces électriques de l'appareil dans l'eau ou dans d'autres liquides. Ne mettez pas l'appareil sous l'eau courante.
- Vérifiez régulièrement la fiche et le câble d'alimentation pour les dommages. La fiche ou le câble d'alimentation endommagé(e) transmettre pour la réparation au service ou à une personne qualifiée, pour prévenir tous les menaces ou les blessures possibles.
- Assurez-vous que le câble d'alimentation n'est pas en contact avec les objets pointus ou chauds ; gardez le câble loin des flammes nues. Pour retirer la fiche de la prise murale, tirez toujours en tenant la fiche et non le câble d'alimentation.
- Protégez le câble d'alimentation (ou la rallonge) contre le débranchement accidentel de la prise murale. Le câble doit être posé de manière ne provoquant pas les chutes accidentelles.
- Surveillez en permanence l'appareil pendant l'utilisation.
- **Avertissement!** Si la fiche est insérée dans la prise murale, l'appareil doit être considéré comme branché à l'alimentation.
- Avant de retirer la fiche de la prise, éteignez l'appareil !
- Ne transportez jamais l'appareil en tenant le câble.
- N'utilisez aucuns accessoires qui n'ont pas été fournis avec l'appareil.

FR



- L'appareil doit être branché à la prise murale avec une tension et la fréquence indiquées sur la plaque signalétique.
- Insérez la fiche à la prise murale située dans un endroit facilement accessible de sorte qu'en cas de panne l'appareil puisse être immédiatement déconnecté. Pour éteindre complètement l'appareil, débranchez-le de la source d'alimentation. Pour cela, retirez la fiche à l'extrémité du câble d'alimentation de la prise murale.
- Eteignez l'appareil avant de débrancher l'appareil de la prise!
- N'utilisez jamais les accessoires non recommandés par le fabricant. L'utilisation des accessoires non recommandés peut présenter des risques pour l'utilisateur et provoquer les dommages à l'appareil. Utilisez uniquement des pièces et accessoires originaux.
- Cet appareil n'est pas apte à être utilisé par des personnes (enfants compris) avec capacités physiques, sensorielles ou intellectuelles diminuées ou ne possédant pas l'expérience et les connaissances suffisantes.
- Ne laissez jamais les enfants utiliser l'appareil.
- L'appareil et le câble d'alimentation doivent être stockés hors de la portée des enfants.
- Ne permettez pas aux enfants d'utiliser l'appareil pour jouer
- Débranchez toujours l'appareil de l'alimentation s'il doit être laissé sans surveillance et également avant le montage, le démontage et le nettoyage.
- Ne laissez jamais l'appareil sans surveillance lorsqu'il est utilisé.

## Réglementations de sécurité spéciale.

- Utiliser l'appareil uniquement conformément à la description du présent manuel.
- Cet appareil doit être utilisé et installé par un personnel spécialisé et formé dans la cuisine de l'industrie alimentaire.
- Tous les travaux d'entretien, d'installation et de réparation doivent être effectués par des techniciens autorisés, spécialisés et formés.
- Ne pas placer l'appareil sur un objet chauffant (cuisinière à huile, électrique, au charbon de bois, etc.). Maintenir l'appareil éloigné de toutes surfaces chaudes et feux ouverts. Utiliser toujours l'appareil sur une surface de niveau, stable, propre, résistante à la chaleur et sèche.
- Ne pas utiliser l'appareil à proximité de matériaux explosifs ou inflammables, de cartes de crédit, de disques magnétiques ou de radios.
- Porter des vêtements de protection, masques ou lunettes de protection si nécessaire, Durant son fonctionnement.
- Cet appareil n'est pas conçu pour fonctionner au moyen d'une minuterie externe ou d'un système de contrôle à distance séparé.
- Ne jamais ignorer un système de verrouillage sur l'appareil.
- **AVERTISSEMENT** : Ne pas obstruer d'ouvertures de ventilation sur l'appareil.
- **AVERTISSEMENT** : TOUJOURS éteindre l'appareil et le débrancher du courant avant de le nettoyer, de l'entretenir ou de le ranger.



- **AVERTISSEMENT ! TOUJOURS** faire attention aux mains, cheveux longs et vêtements qui ne doivent pas entrer en contact avec les éléments mobiles.
- Laisser au moins 20 cm d'espace autour de l'appareil pour une bonne ventilation pendant son utilisation.
- **ATTENTION !** Passer le cordon électrique en toute sécurité si nécessaire pour éviter de tirer dessus par mégarde ou qu'il entre en contact avec la surface chauffante.
- Ne pas mettre les mains dans l'ensemble pichet pendant le fonctionnement de l'appareil.
- Ne pas mettre trop d'ingrédients afin d'éviter tout débordement.
- **AVERTISSEMENT !** Ne pas remplir au-delà de la marque **MAX** sur le pichet.
- **AVERTISSEMENT !** Les liquides devant être mélangés doivent être à température ambiante, voire inférieure. Si vous allez mélanger des liquides chauds, assurez-vous que le couvercle du pichet est correctement en place et utilisez une faible vitesse pour le mélange. Risque de brûlures – soyez prudent.
- Ne pas laver l'appareil à l'eau ou au jet. Laver à l'eau risque de causer des fuites et augmente le risque de choc électrique. Aucune pièce ne peut être mise au lave-vaisselle.
- Ne pas nettoyer ou ranger l'appareil avant complet refroidissement.
- Ne pas déplacer l'appareil pendant son fonctionnement. Débranchez l'appareil lorsque vous le déplacez et tenez-le par la base.
- Ne pas faire fonctionner l'appareil à vide pour éviter toute surchauffe.
- Assurez-vous que l'appareil est bien ETEINT (0) et que le compteur de vitesse est en position "FAIBLE" avant d'ôter l'ensemble pichet.

---

#### Destination de l'appareil

- L'appareil est destiné à un usage professionnel.
- L'appareil est conçu pour être utilisé au mélange et au mixage d'aliments. L'utilisation de l'appareil à d'autres fins peut entraîner des dommages ou des blessures.
- L'utilisation de l'appareil à d'autres fins sera considérée comme une utilisation inappropriée. L'utilisateur sera seul responsable de l'utilisation incorrecte de l'appareil.

---


#### Montaż uziemienia

Cet appareil entre dans la classe de protection I et doit être connecté à la terre. La terre évite le risque de choc électrique en permettant au courant de sortir par la terre courant. Cet appareil

est équipé d'un cordon avec un fil de terre et une prise à la terre. La fiche doit être mise dans une prise installée correctement et reliée à la terre.

## Eléments principaux de l'appareil



1. Touche courant (0 / I)  
: Mettre en position "1" position pour ALLUMER l'appareil;  
: Mettre en position "0" pour ETEINDRE l'appareil.
2. Compteur de vitesse (Faible à élevée)  
: Tournez dans le sens des aiguilles d'une montre pour augmenter la vitesse de rotation;  
: Tournez dans le sens contraire aux aiguilles d'une montre pour réduire la vitesse de rotation.
3. Touche impulsion (0 / II) :  
Mouvement d'impulsion à pleine vitesse. Appuyez vers le bas pour mettre en route, relâchez la touche pour arrêter.
4. Partie inférieure de l'unité de base du moteur
5. Unité moteur
6. Assemblage des pales
7. Ensemble pichet
8. Couvercle pichet
9. Capuchon
10. Couverture de protection

## Caractéristiques spéciales de sécurité

**IMPORTANT:** Cet appareil a une caractéristique de sécurité spécialement conçue : Couverture de protection (10).

L'appareil ne peut fonctionner que lorsque la couverture de protection (10) est fermée et le pichet (7) installé correctement sur l'unité moteur (5).

## Préparations avant installation

- Oter tout emballage de protection.
- Vérifier qu'il ne manque rien et que l'appareil est en bon état. S'il manque un élément (par ex. le couvercle du pichet, etc.) ou s'il y a des dégâts, contacter le fournisseur sans tarder. NE PAS utiliser l'appareil. (cf. ==> Garantie)

- Nettoyer l'appareil et le pichet (7) avant utilisation (cf. ==> Nettoyage et Entretien).
- S'assurer que l'appareil est bien sec.

## Installation

- Lire le présent manuel attentivement avant installation et mise en marche.
- S'assurer que l'appareil est posé dans un endroit sec et que la surface est suffisamment solide pour supporter l'appareil. S'assurer également que rien ne fasse obstruction pendant le fonctionnement de l'appareil.

- S'assurer que le courant correspond bien au voltage sur la machine.

**ATTENTION !** Ne jamais ignorer un interrupteur de sécurité micro.




## Transport

- Ne pas déplacer l'appareil pendant qu'il fonctionne. Débrancher l'appareil lors de tout déplacement de l'appareil
- Otez toujours l'ensemble pichet (7) lorsque vous déplacez l'appareil.
- Lorsque vous soulevez l'appareil, prenez-le par la base de l'unité moteur (4) lorsque vous le déplacez.

## Fonctionnement

**Note:** Pour des raisons de sécurité, l'appareil ne se met en marche que lorsque l'ensemble pichet (6) est installé correctement sur l'unité moteur (5) et lorsque la couverture de protection (10) est fermée correctement.

- Vérifiez si la touche courant (1) est sur la position "0" et tournez le compteur vitesse (2) sur la position "Faible".
- Débranchez l'appareil et ouvrez la couverture de protection (10), sortez l'ensemble pichet (7) de l'unité moteur (5).
- Versez tous les ingrédients dans le pichet (7) et fermez le couvercle (8) et placez le capuchon (9) correctement à sa place.
- Placez tout l'ensemble pichet (7) sur l'unité moteur (5) & fermez la couverture de protection (10).
- Branchez l'appareil.
- ALLUMEZ l'appareil en appuyant sur la touche courant (1) jusqu'à la position "I" & sélectionnez une vitesse adaptée en tournant le compteur vitesse (2).

Réglage du compteur vitesse (2)	Description
Faible vitesse	Pour mélanger les liquides
Élevée vitesse	Pour mélanger les liquides et les ingrédients solides
Fonction impulsion (0 / II) 	Pour piler la glace ou mouvements d'impulsion électrique brefs Note : Utiliser la fonction impulsion pendant 1 à 2 secondes à chaque fois. Répéter plusieurs fois si nécessaire.

Après utilisation, mettez toujours la touche courant (1) en position "0" et débranchez l'appareil.

### Remarques:

1. Pour un résultat optimal lorsque vous mélangez des aliments solides, ajoutez uniquement de petites portions l'une après l'autre, et pas tous les ingrédients en même temps.
2. Toujours commencer à faible vitesse. Si nécessaire, augmenter la vitesse ou passer à la fonction "Impulsion" de sorte à ne pas bloquer les pales (6).
3. Ne pas utiliser cet appareil pour mélanger des aliments durs, comme des noix par exemple.
4. Ne pas remplir de liquides au-delà de la marque **MAX** sur le pichet (7).
5. Les liquides à mélanger doivent être à température ambiante ou inférieure. Si vous devez mélanger des liquides chauds, assurez-vous que le couvercle du pichet (8) soit correctement en place et utilisez une faible vitesse pour mélanger. Risque de brûlure – soyez prudent.
6. Éviter de longs fonctionnements à cause du bruit qui peut avoir des conséquences sur l'ouïe.



## Nettoyage et Entretien

**Attention : Toujours débrancher l'appareil et laisser refroidir complètement avant nettoyage, entretien, réparation & rangement.**

### Nettoyage

- Nettoyer l'appareil et le pichet (7) après chaque utilisation et s'assurer qu'il ne reste aucun résidu d'aliments.
- Ne jamais plonger l'appareil dans l'eau ou dans d'autres liquides.
- Nettoyer la surface avec un tissu légèrement humide ou une éponge avec un peu de savon liquide.
- Ne jamais utiliser d'éponge abrasive, de détergent, de laine de métal ou d'ustensile métallique pour nettoyer les parties intérieures ou extérieures de l'appareil.
- NE PAS laver l'appareil à l'eau ou au jet d'eau. Laver à l'eau risque de causer des fuites et augmente le risque de choc électrique.
- Ne pas mettre au lave-vaisselle.

### Procédure de nettoyage recommandée :

Eléments	Comment nettoyer	Fréquence
Unité moteur (5)	- Ne jamais plonger cet élément dans l'eau ou d'autres liquides. - Utiliser un chiffon humide avec un peu de détergent et d'eau, rincer, aseptiser et bien sécher.	Nettoyer après chaque utilisation.
Pichet, couvercle et capuchon.	- Nettoyer avec un peu d'eau et de détergent non abrasive. - Puis rincer sous l'eau courante. - Sécher tous les éléments avant toute nouvelle utilisation.	Nettoyer après chaque utilisation.
Assemblage des pales (6)	- Avertissement ! Risque de blessures ! Prudence en nettoyant les pales. - Nettoyer avec un peu d'eau et de détergent non abrasif. - Sécher tous les éléments avant réutilisation.	Nettoyer après chaque utilisation.

FR

### Rangement

- Avant de le ranger, toujours s'assurer que l'appareil a été débranché et a refroidi complètement.
- Ranger l'appareil dans un endroit frais, propre et sec.



## Résolution de problèmes

Si l'appareil ne fonctionne pas correctement, voir dans le tableau ci-dessous pour trouver la solution.  
Si le problème persiste, contacter le fournisseur/fournisseur de service.

Problèmes	Causes possibles	Solution possible
L'appareil ne se met pas en marche.	La couverture de protection (10) n'est pas bien en position fermée.	Vérifier que la couverture de protection (10) est bien fermée.
	Le pichet (7) n'est pas placé correctement.	S'assurer que le pichet (7) est bien positionné.
	L'interrupteur (1) n'a pas été allumé.	Allumer l'interrupteur (1).
L'appareil s'arrête pendant le fonctionnement	Sécurité surcharge intégrée activée.	- ETEINDRE l'appareil en appuyant sur la touche (1) jusqu'à la position "0" et débrancher l'appareil. - Laisser l'appareil refroidir pendant environ 30 minutes, puis remettre en marche.

## Spécification technique

Item n° : 230688, 230602

Voltage et fréquence de fonctionnement :  
220-240V- 50/60Hz

Puissance d'entrée nominale: 1,680W

Niveau de protection : classe I

Coefficient d'étanchéité: IP23

Capacité de la vitrine: 2,5L

Dimension: 252x258x(H)547mm

Poids net : environ 9,7kg

Niveau sonore : ≤ 85 dB (A)

Vitesse de rotation sans charge (tpm) :

- Minimum: 16,000 +/- 10%

- Maximum: 24,800 +/- 10%

Pichet fait en: Tritan (230602), PC (230688)

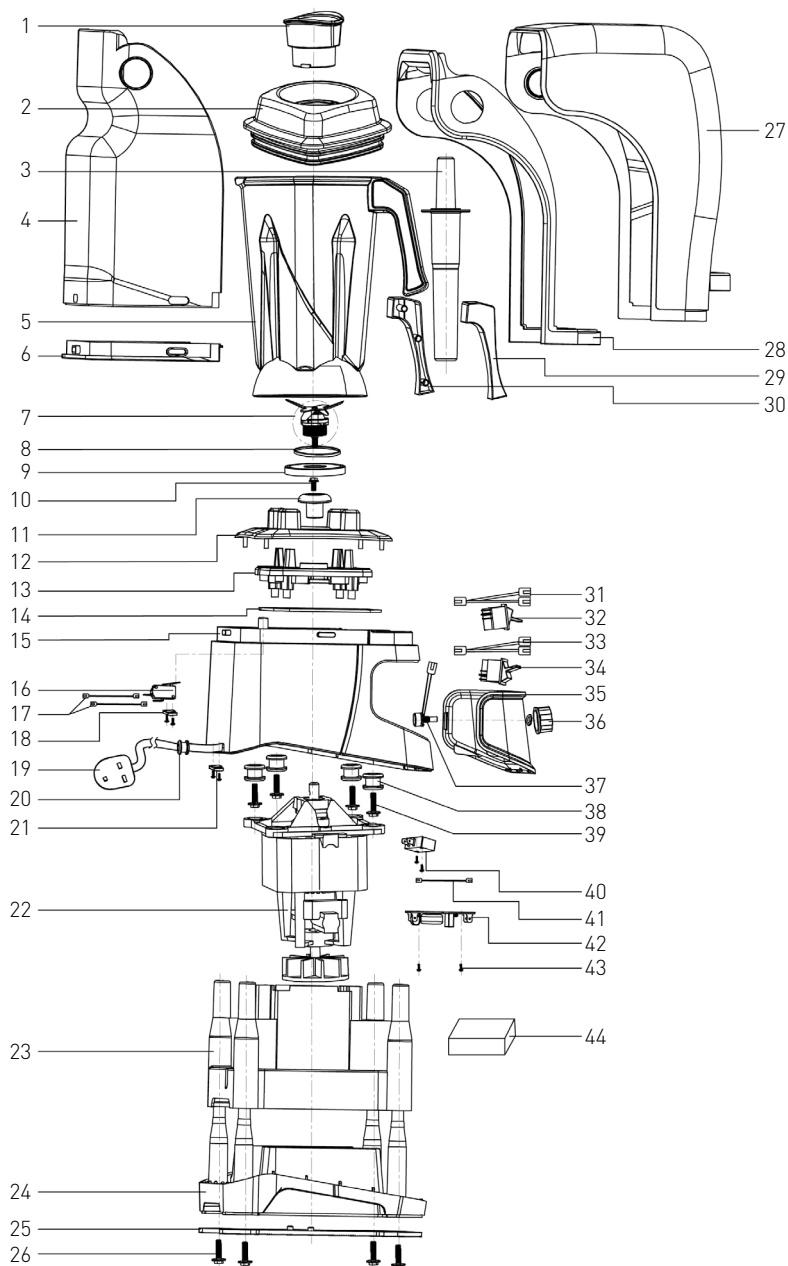
FR

**Remarque : La spécification technique est sous réserve de modification sans notification préalable.**





## Schéma éclaté de l'appareil



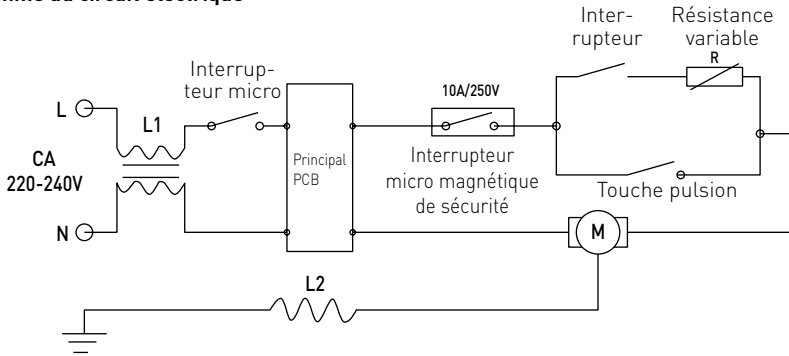
FR



## List de l'élément de l'appareil

Elément n°	Nom de l'élément	Quantité	Elément n°	Nom de l'élément	Quantité
1	Capuchon	1	23	Logement interne du moteur	1
2	Couvercle du pichet	1	24	Logement inférieur	1
3	Moule (non fournis)	1	25	Plaque inférieure	1
4	Couverture de protection (arrière)	1	26	Vis de fixation	4
5	Place du pichet	1	27	Couverture de protection (avant)	1
6	Joint en caoutchouc de la couverture de protection (arrière)	1	28	Couverture de protection (interne)	1
7	Assemblage des pales	1	29	Couverture gauche du manche du pichet	1
8	Anneau de joint de l'assemblage des pales	1	30	Couverture droite du manche du pichet	1
9	Grand anneau de joint	1	31	Terminal fil électrique interne pour touche pulsion	1
10	Vis de montage	1	32	Touche pulsion	1
11	Pochette	1	33	Terminal fil électrique interne pour interrupteur	1
12	Support du pichet	1	34	Interrupteur	1
13	Support du support du pichet	1	35	Couverture panneau de contrôle	1
14	Couverture joint en caoutchouc	1	36	Écran vitesse	1
15	Logement externe du moteur	1	37	Terminal fil électrique interne pour écran vitesse	1
16	Assemblage interrupteur micro de sécurité	1	38	Amortisseurs anti-chocs	4
17	Terminal interne de fils pour interrupteur de sécurité micro	1	39	Vis de montage pour amortisseurs anti-chocs	4
18	Vis de montage pour l'interrupteur micro	2	40	Assemblage interrupteur micro magnétique	1
19	Prise de courant	1	41	Terminal interne de fils pour interrupteur magnétique	1
20	Cordon électrique	1	42	Assemblage PCB	1
21	Attache pour cordon électrique	1	43	Vis pour fixer l'assemblage PCB	4
22	Assemblage moteur	1	44	Coton d'absorption du bruit	1

## Diagramme du circuit électrique



## Garantie

Tout vice ou toute défaillance entraînant un dysfonctionnement de l'appareil qui se déclare dans les 12 mois suivant la date de l'achat sera éliminé à titre gratuit ou l'appareil sera remplacé par un appareil nouveau si le premier a été dûment exploité et entretenu conformément aux termes de la notice d'exploitation et s'il n'a pas été indûment exploité ou de manière non conforme à sa destination. La présente stipulation ne porte pas de préjudice aux autres droits de l'utilisateur prévus par les dispositions légales. Dans le cas où l'appareil est donné à la réparation ou

doit être remplacé dans le cadre de la garantie, il y a lieu de spécifier le lieu et la date de l'achat de l'appareil et produire un justificatif nécessaire (par ex. facture ou ticket de caisse).

Conformément à notre politique d'amélioration permanente de nos produits, nous nous réservons le droit d'introduire sans avertissement préalable des modifications à l'appareil, à l'emballage et aux caractéristiques techniques précisées dans la documentation.

FR

## Élimination et protection de l'environnement

En cas de retrait du produit de l'exploitation l'appareil ne peut pas être jeté avec d'autres déchets ménagers. L'utilisateur est responsable de la remise de l'équipement au point de collecte approprié pour l'équipement usagé. Le non-respect des dispositions ci-dessus peut entraîner les pénalités conformément à la réglementation applicable en matière d'élimination des déchets. La collecte sélective et le recyclage des équipements usagés contribuent à la conservation des


ressources naturelles et assurent un recyclage sans danger pour la santé et l'environnement. Pour plus d'informations sur les endroits de collecte des équipements usagés pour le recyclage, contactez la société de collecte des déchets locale. Le producteur et l'importateur ne sont pas responsables du recyclage et du traitement des déchets d'une manière respectueuse de l'environnement directement et dans le système public.



Gentile cliente,

grazie per aver acquistato questo apparecchio Hendi. Ti invitiamo a leggere queste istruzioni per l'uso con attenzione prima di collegare l'apparecchio al fine di evitare danni dovuti a uso improprio. Ti invitiamo inoltre a prestare particolare attenzione alle precauzioni di sicurezza.

## Precauzioni di sicurezza

- L'uso scorretto e improprio dell'apparecchio possono danneggiare seriamente l'apparecchio e ferire gli utenti.
- Questo apparecchio è destinato all'uso commerciale.
- L'apparecchio può essere utilizzato solo per lo scopo per cui è stato concepito e progettato. Il produttore non è responsabile di eventuali danni provocati da uso scorretto ed improprio.
- Tenere l'apparecchio e la spina elettrica lontani da acqua ed altri liquidi. Nel caso improbabile che l'apparecchio cada in acqua, staccare immediatamente la spina dalla presa e fare ispezionare l'apparecchio da un tecnico certificato. L'inosservanza delle presenti istruzioni può dare luogo a situazioni pericolose
- Non provare mai ad aprire l'involucro dell'apparecchio da soli.
- Non inserire oggetti nell'involucro dell'apparecchio.
- Non toccare la presa con le mani bagnate o umide.
-  **Pericoli di scosse elettriche!** Non tentare di riparare l'apparecchio da solo. Eventuali difetti e malfunzionamenti devono essere rimossi solo da personale qualificato.
- **Non usare l'apparecchio danneggiato!** L'apparecchio difettoso deve essere immediatamente scollegato dalla rete e contattare il rivenditore.
- **Attenzione:** Non immergere parti elettriche in acqua o altri liquidi. Non mettere l'apparecchio sotto l'acqua corrente.
- Controllare regolarmente se la spina e il cavo di alimentazione non sono danneggiati. La spina o il cavo danneggiati trasmettere al servizio o alla persona qualificare per riparare, per evitare eventuali pericoli e lesioni.
- Assicurarsi che il cavo di alimentazione non è in contatto con oggetti appuntiti o caldi. Tenere il cavo lontano da fiamme libere. Per scollegare la spina dalla presa, tirare sempre la spina, mai il cavo.
- Proteggere il cavo di alimentazione (o di estensione) per la sconnessione accidentale dalla presa. Disporre il cavo in modo per evitare lo slittamento accidentale.
- Sorvegliare l'apparecchio continuamente durante l'uso.
- **Attenzione!** Se la spina è inserita nella presa, l'apparecchio è considerato come collegato.
- Prima di rimuovere la spina dalla presa, spegnere l'apparecchio!
- Non trasportare l'apparecchio tenendo il cavo di alimentazione.
- Non utilizzare qualsiasi accessorio che non è stato fornito con l'apparecchio.
- L'apparecchio deve essere collegato ad una presa con tensione e frequenza indicate sulla targhetta.

IT



- Inserire la spina nella presa situata in un punto facilmente accessibile in modo che in caso di guasto sia possibile scollegare immediatamente l'apparecchio. Per spegnere completamente l'apparecchio, scollegarlo dalla presa di corrente. Per questo staccare la spina che si trova sull'estremità del cavo di alimentazione.
- Prima di scollegare la spina, ricordarsi sempre di spegnere l'apparecchio!
- Non usare gli accessori non raccomandati dal produttore. L'uso di accessori non raccomandati può creare i rischi per l'utente e provocare i danni all'apparecchio. Usare unicamente solo pezzi ed accessori originali.
- L'installazione elettrica deve soddisfare le normative nazionali e locali applicabili. Questo apparecchio non è destinato all'uso da parte di persone (inclusi i bambini) con capacità fisiche, sensoriali o mentali ridotte, o senza esperienza e conoscenza.
- Non permettere ai bambini di utilizzare l'apparecchio.
- Tenere l'apparecchio con il cavo fuori dalla portata dei bambini.
- Non permettere ai bambini di giocare con l'apparecchio.
- Scollegare l'apparecchio dalla rete se esso deve essere lasciato incustodito e prima del montaggio, dello smontaggio o della pulizia.
- Non lasciare l'apparecchio incustodito durante l'utilizzazione.

---

## Regolamenti di sicurezza speciali

- Utilizzare la macchina solo come descritto in questo manuale.
- Questa macchina deve essere utilizzata e installata da personale specializzato addestrato nella cucina del settore alimentare.
- Tutte le operazioni di manutenzione, installazione e riparazione devono essere eseguite da tecnici autorizzati specializzati.
- Non posizionare la macchina su un oggetto riscaldato (fornello a benzina, elettrico, a carbone, ecc.). Tenere l'apparecchio lontano da superfici calde e fiamme libere. Mettere sempre in funzione la macchina su una superficie piana, stabile, pulita, resistente al calore e asciutta.
- Non utilizzare la macchina vicino a materiali esplosivi o infiammabili, carte di credito, dischi magnetici o radio.
- Indossare indumenti protettivi, maschere o occhiali protettivi, se necessario durante il funzionamento.
- Questa macchina non è destinata ad essere azionata tramite un temporizzatore esterno o un sistema separato di controllo remoto.
- Non escludere mai eventuali interblocchi di sicurezza sulla macchina.
- **ATTENZIONE:** Tenere tutte le aperture di ventilazione dell'apparecchio libere da ostruzioni.
- **ATTENZIONE:** Spegnere SEMPRE la macchina e scollegare l'alimentazione elettrica prima di pulizia, manutenzione o stoccaggio.
- **ATTENZIONE!** Tenere SEMPRE mani, capelli lunghi e indumenti lontano dalle parti in movimento.
- Lasciare almeno 20 cm di spazio intorno all'apparecchio a fini di ventilazione durante l'uso.



- **Precauzione!** Se necessario, dirigere in sicurezza il cavo di alimentazione per evitare trazioni involontarie o contatto con la superficie di riscaldamento.
- Non mettere le mani nella brocca quando la macchina è in funzione.
- Non caricare troppi ingredienti per evitare la fuoriuscita dei prodotti alimentari.
- **ATTENZIONE!** Non riempire oltre il contrassegno **MAX.** della brocca.
- **ATTENZIONE!** I liquidi da miscelare dovrebbero essere a o al di sotto della temperatura ambiente. Se ci si appresta a mescolare liquidi caldi, assicurarsi che il coperchio della brocca sia correttamente in posizione e utilizzare una bassa velocità per l'elaborazione. Rischio di ustioni e prestare attenzione.
- Non lavare la macchina con acqua o getti d'acqua. Il lavaggio con acqua può causare perdite e aumentare il rischio di scosse elettriche. Non ci sono parti lavabili in lavastoviglie.
- Non pulire o riporre la macchina a meno che non sia completamente raffreddata.
- Non spostare la macchina mentre è in funzione. Scollegare la macchina quando la si sposta e tenerla dal basso.
- Non utilizzare la macchina senza ingredienti per evitare surriscaldamenti.
- Verificare che la macchina sia spenta (0) e la manopola di velocità sia in posizione "Bassa" prima di rimuovere il gruppo brocca.

---

#### Destinazione del dispositivo

- Il dispositivo è destinato all'uso professionale.
- L'apparecchio è progettato per miscelare e mescolare prodotti alimentari. L'uso del dispositivo per qualsiasi altro scopo può causare danni o lesioni.
- L'uso del dispositivo per qualsiasi altro scopo sarà considerato un uso improprio. L'utente sarà l'unico responsabile per l'uso scorretto del dispositivo.

---


#### Messa a terra

Questo apparecchio è classificato come apparecchio con classe di protezione I e deve essere collegato a una messa a terra protettiva. La messa a terra riduce il rischio di scosse elettriche fornendo un filo di fuga alla corrente elettrica.

Questo apparecchio è dotato di un cavo dotato di un filo di messa a terra con una spina di messa a terra. La spina deve essere collegata a una presa correttamente installata e messa a terra.

## Componenti principali della macchina



1. Interruttore di alimentazione (0 / I)  
: Spostarlo in posizione "I" per accendere la macchina;  
: Spostarlo nuovamente in posizione "0" per spegnere la macchina.
2. Manopola velocità (Bassa a Alta)  
: Ruotare la manopola in senso orario per aumentare la velocità di rotazione;  
: Ruotare la manopola in senso antiorario per diminuire la velocità di rotazione.
3. Pulsante impulso (0 / II)   
: Movimento a impulsi alla massima velocità. Premere per azionarlo, rilasciare il pulsante per fermarlo.
4. Parte inferiore dell'unità base motore
5. Unità motore
6. Gruppo lame
7. Set brocca
8. Coperchio della brocca
9. Tappo nel coperchio
10. Copertura protettiva

## Funzioni di sicurezza speciali

**IMPORTANTE:** Questa macchina ha una funzione di sicurezza appositamente progettata: Copertura protettiva (10).

La macchina può funzionare solo quando il coperchio di protezione (10) è chiuso e la brocca (7) è installata correttamente sulla base del motore (5).

## Preparazione prima dell'installazione

- Rimuovere tutti gli imballaggi e confezionamenti protettivi.
- Controllare che la macchina sia completa e non presenti danni dovuti al trasporto. In caso di consegna incompleta (ad es. coperchio della brocca, ecc.) o di danni, rivolgersi immediatamente al fornitore. NON utilizzare la macchina. (Vedere ==> Garanzia).

- Pulire la macchina e la brocca (7) prima dell'uso (Vedere ==> Pulizia e Manutenzione).
- Assicurarsi che l'apparecchio sia completamente asciutto.

## Installazione

- Leggere attentamente e con cura questo manuale prima dell'installazione e della messa in funzione.
- Assicurarsi che la macchina sia posizionata in una zona asciutta e che la superficie sia abbastanza robusta per sostenerla. Assicurarsi inoltre che non ci siano ostacoli nelle vicinanze durante il funzionamento della macchina.

- Assicurarsi che l'alimentazione elettrica corrisponda all'etichetta dei valori nominali della macchina.

**PRECAUZIONE!** Non bypassare mai alcun microinterruttore di sicurezza.




## Trasporto

- Non spostare la macchina mentre è in funzione. Scollegare la macchina quando si sposta la macchina.
- Rimuovere sempre il gruppo brocca (7) durante lo spostamento.
- Sollevare solamente dalla parte inferiore della base del motore (4) durante lo spostamento.

## Funzionamento

**Nota:** Per motivi di sicurezza, la macchina può iniziare a funzionare solo con il gruppo brocca (6) installato correttamente sull'unità motore (5) e se il coperchio di protezione (10) è chiuso correttamente.

- Controllare se l'interruttore di alimentazione (1) è in posizione "0" e ruotare il selettore di velocità (2) su "Bassa".
- Scollegare la macchina e aprire il coperchio di protezione (10), togliere il gruppo brocca (7) dall'unità motore (5).
- Versare tutti gli ingredienti nella brocca (7) e chiudere il coperchio (8) e posizionare correttamente il tappo del coperchio (9).
- Posizionare l'intero gruppo brocca (7) sull'unità motore (5) e chiudere il coperchio di protezione (10).
- Collegare la spina a una presa di alimentazione elettrica idonea e singola.
- Accendere la macchina premendo l'interruttore di accensione (1) in posizione "I" e selezionare una velocità adeguata ruotando il selettore di velocità (2).

Impostazioni della manopola di velocità (2)	Descrizione
Bassa velocità	Per miscelare liquidi
Velocità elevata	Per miscelare ingredienti liquidi e solidi
Funzione impulso (0 / II) 	Per tritare il ghiaccio o brevi movimenti a impulso. a impulso. Nota: Utilizzare la funzione impulso per 1 - 2 secondi ogni volta. Ripetuta più volte se necessario.

Dopo l'uso, ruotare l'interruttore di alimentazione (1) su "0" e scollegare la spina dalla presa elettrica.

### Annotazioni:

1. Per i migliori risultati quando si mescolano alimenti solidi, aggiungere solo piccole porzioni in successione, non tutti gli ingredienti allo stesso tempo.
2. Iniziare sempre con una velocità minore. Se necessario, passare alla funzione ad alta velocità o alla funzione "Pulse", in modo da non incepparsi con il gruppo lame (6).
3. Non utilizzare questa macchina per miscelare prodotti alimentari duri, come ad esempio noci.
4. Non riempire con liquidi al di sopra del contrassegno **MAX.** della brocca (7).
5. I liquidi da miscelare dovrebbero essere a o al di sotto della temperatura ambiente. Se ci si appresta a mescolare liquidi caldi, assicurarsi che il coperchio della brocca (8) sia correttamente in posizione e utilizzare una bassa velocità per l'elaborazione. Rischio di ustioni e prestare attenzione.
6. Evitare un lungo periodo di funzionamento a causa del forte rumore che può danneggiare l'udito.



## Pulizia e Manutenzione

**Attenzione: Scollegare sempre l'apparecchio dalla presa elettrica e lasciarlo raffreddare completamente prima di pulizia, manutenzione, riparazione e stoccaggio.**

### Pulizia

- Pulire la macchina e la brocca (7) dopo ogni uso e assicurarsi che tutti i residui di cibo vengono rimossi.
- Non immergere mai l'apparecchio in acqua o in altri liquidi.
- Pulire la superficie con un panno leggermente umido o spugna con una soluzione di sapone neutro.
- Non utilizzare mai spugne o detersivi abrasivi, paglietta o utensili metallici per pulire le parti interne o esterne dell'apparecchio.
- **NON** lavare la macchina con acqua o getti d'acqua. Il lavaggio con acqua può causare perdite e aumentare il rischio di scosse elettriche.
- Non ci sono parti lavabili in lavastoviglie.

### Procedura di pulizia consigliata:

Parti	Come pulire	Frequenza
Unità motore (5)	<ul style="list-style-type: none"><li>- Non immergere mai questa parte in acqua o in altri liquidi.</li><li>- Utilizzando un panno umido con acqua e detersivo, risciacquare, disinfettare e asciugare accuratamente.</li></ul>	Pulire dopo ogni utilizzo
Brocca, coperchio e tappo	<ul style="list-style-type: none"><li>- Pulirli con acqua e detersivo neutro.</li><li>- Poi, sciacquare sotto l'acqua corrente.</li><li>- Asciugare tutte le parti prima di riutilizzarle.</li></ul>	Pulire dopo ogni utilizzo
Gruppo lame (6)	<ul style="list-style-type: none"><li>- Attenzione! Rischio di lesioni! Prestare attenzione quando si puliscono le lame.</li><li>- Pulirli con acqua e detersivo neutro.</li><li>- Asciugare tutte le parti prima di riutilizzarle.</li></ul>	Pulire dopo ogni utilizzo

### Stoccaggio

- Prima di riporlo, assicurarsi sempre che l'apparecchio sia già stato scollegato dalla presa elettrica e sia completamente raffreddato.
- Riporre l'apparecchio in un luogo fresco, pulito e asciutto.



## Risoluzione dei problemi

Se l'apparecchio non funziona correttamente, consultare la tabella riportata di seguito per la soluzione. Se non è ancora possibile risolvere il problema, contattare il fornitore/servizio assistenza.

Problemi	Cause possibili	Soluzione possibile
La macchina non si avvia	Il coperchio di protezione (10) non è in posizione corretta.	Verificare che il coperchio di protezione (10) sia chiuso correttamente.
	La brocca (7) non è posizionata correttamente.	Controllare che la brocca sia posizionata correttamente (7).
	L'interruttore di alimentazione (1) non è premuto	Premere l'interruttore di alimentazione (1)
La macchina si ferma durante il funzionamento	Il dispositivo di sovraccarico integrato è attivato.	- Spegnerla la macchina premendo l'interruttore (1) in posizione "0" e scollegare la macchina. - Lasciare raffreddare la macchina per per circa 30 minuti e poi riavviarla.

## Specifiche tecniche

Cod. Articolo: 230688, 230602

Tensione e frequenza di funzionamento :  
220-240V- 50/60Hz

Potenza nominale in ingresso: 1,680W

Classe di protezione: classe I

Classe di protezione impermeabilità: IP23

Capacità massima: 2,5L

Dimensioni: 252x258x(H)547mm

Peso netto: ca. 9,7kg

Livello di rumorosità: ≤ 85 dB (A)

Velocità di rotazione senza carico (giri/min):

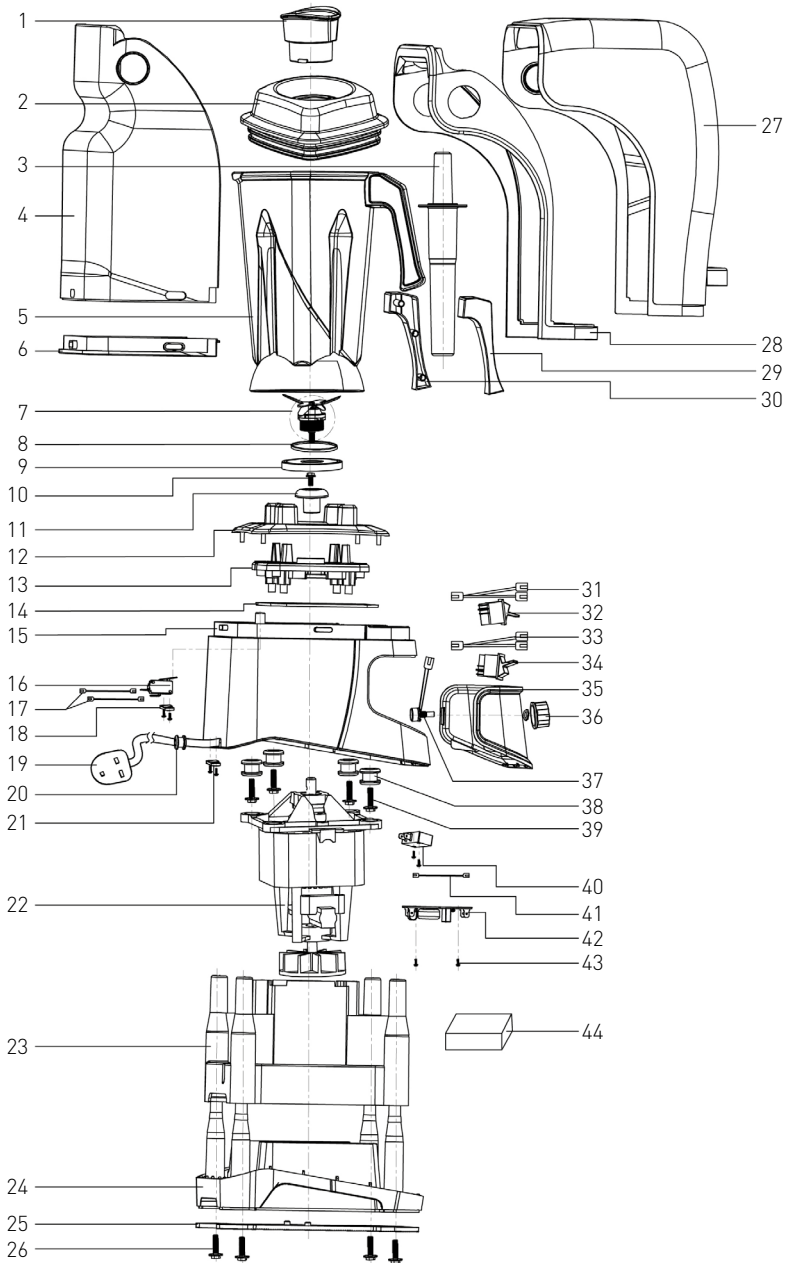
- Minimo: 16,000 +/- 10%

- Massimo: 24,800 +/- 10%

Materiale contenitore: Tritan (230602), PC (230688)

**Annotazioni:** Le specifiche tecniche sono soggette a modifiche senza preavviso.

# Disegno esploso della macchina



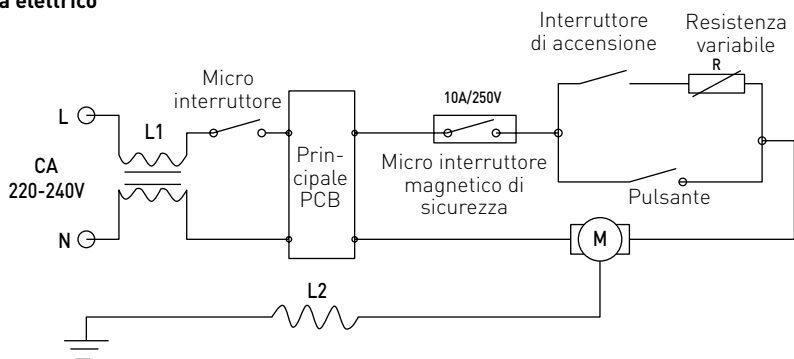
IT



## Lista delle parti della macchina

N° di codice	Nome della parte	Quantità	N° di codice	Nome della parte	Quantità
1	Tappo del coperchio	1	23	Involucro interno del motore	1
2	Coperchio della brocca	1	24	Carter inferiore	1
3	Pressino (non forniti)	1	25	Piastra inferiore	1
4	Carter di protezione (posteriore)	1	26	Vite di fissaggio	4
5	Set brocca	1	27	Carter di protezione (anteriore)	1
6	Guarnizione in gomma del carter di protezione (posteriore)	1	28	Carter di protezione (interno)	1
7	Gruppo lame	1	29	Carter sinistro dell'impugnatura della brocca	1
8	Anello di tenuta del gruppo lame	1	30	Carter destro dell'impugnatura della brocca	1
9	Anello di tenuta grande	1	31	Terminale filo interno per pulsante	1
10	Vite di montaggio	1	32	Pulsante	1
11	Frizione	1	33	Terminale filo interno per interruttore di accensione	1
12	Sostegno brocca	1	34	Interruttore di accensione	1
13	Supporto sostegno brocca	1	35	Carter del pannello di controllo	1
14	Copertura in gomma	1	36	Regolatore di velocità	1
15	Involucro esterno del motore	1	37	Terminale filo interno per regolatore di velocità	1
16	Gruppo microinterruttore di sicurezza	1	38	Ammortizzatori anti urto	4
17	Terminale a filo interno per microinterruttore di sicurezza	1	39	Viti di montaggio per ammortizzatori anti urto	4
18	Viti di montaggio per microinterruttore	2	40	Gruppo microinterruttore magnetico	1
19	Spina di alimentazione	1	41	Terminale a filo interno per microinterruttore magnetico	1
20	Cavo di alimentazione	1	42	Gruppo PCB	1
21	Fermo del cavo di alimentazione	1	43	Viti di fissaggio del gruppo PCB	4
22	Gruppo motore	1	44	Cotone di assorbimento rumore	1

## Schema elettrico



## Garanzia

Qualsiasi difetto che influenza la funzionalità del dispositivo che compaia entro un anno dall'acquisto sarà corretto a titolo interamente gratuito o con la sostituzione del prodotto che è stato utilizzato e sottoposto a manutenzione corretta seguendo le istruzioni, senza alcuna violazione. I diritti legali del cliente non sono assolutamente modificati. Nel caso in cui l'intervento di manutenzione o sostituzione sia previsto nel periodo

di validità della garanzia, precisare dove e quando si è acquistato il prodotto, possibilmente allegando lo scontrino.

In linea con la nostra politica di sviluppo continuo dei prodotti, ci riserviamo il diritto di modificare il prodotto, l'imballo e le specifiche di documentazione, senza notifica alcuna.

## Smaltimento e protezione dell'ambiente

In caso di ritiro dell'apparecchiatura dal funzionamento il prodotto non può essere smaltito con altri rifiuti domestici. L'utente è responsabile della consegna dell'attrezzatura al punto di raccolta appropriato per l'attrezzatura usata. Il mancato rispetto delle disposizioni sopramenzionate può comportare l'imposizione di sanzioni in conformità con le normative vigenti in materia di smaltimento dei rifiuti. La raccolta e il riciclaggio selettivi di attrezzature usate contribu-


iscono alla conservazione delle risorse naturali e garantiscono il riciclaggio in modo tale da non nuocere alla salute e all'ambiente. Per ulteriori informazioni sui luoghi di smaltimento delle apparecchiature usate per il riciclaggio, contattare la società locale di raccolta dei rifiuti. Il produttore e l'importatore non sono responsabili per il riciclaggio e il trattamento dei rifiuti in modo ecologico, sia direttamente che nel quadro del sistema pubblico.



Stimate client,

Vă mulțumim pentru achiziționarea acestui aparat Hendi. Vă rugăm să citiți cu atenția acest manual înainte de a conecta aparatul pentru evitarea defectării ca urmare a utilizării incorecte. Acordați o atenție deosebită regulilor de siguranță.

## Reguli de siguranță

- Operarea incorectă și utilizarea necorespunzătoare a aparatului poate avaria grav aparatul și poate cauza răni oamenilor.
- Acest aparat este destinat uzului comercial.
- Aparatul poate fi folosit doar în scopul pentru care a fost proiectat. Producătorul nu este răspunzător pentru orice avariere cauzată operării incorecte și a utilizării necorespunzătoare.
- Asigurați-vă că aparatul și ștecherul nu intră în contact cu apă sau alte lichide. În cazul în care aparatul este scăpat în apă, scoateți imediat ștecherul din priză și un tehnician autorizat trebuie să-l verifice. Dacă nu respectați aceste instrucțiuni, acest lucru poate cauza situații care vă pot pune viața în pericol.
- Nu încercați să deschideți singuri carcasa aparatului.
- Nu introduceți nici un fel de obiecte în carcasa aparatului.
- Nu atingeți ștecherul cu mâinile ude sau umede.
-  **Pericol de electrocutare!** Nu încercați să reparați singur/ă aparatul. În cazul unei defecțiuni, reparațiile vor fi efectuate întotdeauna numai de personal calificat.
- **Nu utilizați niciodată un aparat defect!** Deconectați aparatul de la priza electrică și contactați distribuitorul în cazul unei defecțiuni.
- **Avertisment!** Nu scufundați părțile electrice ale aparatului în apă sau în alte lichide. Nu țineți niciodată aparatul sub jet de apă.
- Verificați în mod regulat ștecărul și cablul pentru a vă asigura că nu sunt deteriorate. În cazul în care ștecărul sau cablul de alimentare este deteriorat, acesta trebuie înlocuit de agentul de service sau de alt personal calificat similar pentru a evita orice pericol.
- Cablul nu trebuie să intre în contact cu obiecte ascuțite sau fierbinți și trebuie păstrat departe de foc. Pentru a scoate ștecărul din priză, trageți întotdeauna de ștecăr, nu de cablu.
- Asigurați-vă că nimeni nu poate trage din greșeală cablul (sau prelungitorul) și că nimeni nu se poate împiedica de el.
- Supravegheați întotdeauna aparatul atunci când este în funcțiune.
- **Avertisment!** Atât timp cât ștecărul este în priză, aparatul este conectat la sursa de electricitate.
- Opriti aparatul înainte de a scoate ștecărul din priză.
- Nu cărați niciodată aparatul ținându-l de cablu.
- Nu utilizați dispozitive suplimentare care nu sunt livrate împreună cu aparatul.
- Conectați aparatul doar la prize electrice cu intensitatea și frecvența electrice menționate pe eticheta aparatului.

RO



- Conectați cablul de alimentare la o priză electrică ușor accesibilă, astfel încât aparatul să poată fi deconectat imediat în caz de urgență. Scoateți cablul de alimentare din priza electrică pentru a opri complet aparatul. Utilizați cablul de alimentare ca dispozitiv de deconectare.
- Opriti întotdeauna aparatul înainte de a deconecta cablul de alimentare.
- Nu utilizați niciodată accesorii care nu sunt recomandate de către producător. Acestea pot reprezenta un risc de siguranță pentru utilizator și pot deteriora aparatul. Utilizați numai piese și accesorii originale.
- Acest aparat nu trebuie folosit de copii sau persoane care au capacități mentale, senzoriale sau fizice reduse, sau lipsă de experiență și cunoștințe.
- Acest aparat nu trebuie utilizat sub nicio formă de către copii.
- Nu țineți produsul și cablurile sale la îndemâna copiilor.
- Copiii nu trebuie să se joace cu acest produs.
- Deconectați întotdeauna aparatul de la sursa de alimentare în cazul în care este lăsat nesupravegheat, precum și înainte de asamblare, dezasamblare sau curățare.
- Nu lăsați niciodată aparatul nesupravegheat pe parcursul utilizării.

## Reglementări speciale privind siguranța

- Utilizați aparatul numai conform instrucțiunilor prezentului manual.
- Acest aparat trebuie utilizat și instalat de personal calificat, specializat în domeniul bucătăriei industriei alimentare.
- Toate operațiile de întreținere, de instalare și de reparație trebuie efectuate de tehnicieni autorizați calificați, specializați.
- Nu așezați aparatul deasupra sistemelor de încălzire (aparate de gătit ce funcționează cu benzină, cărbune sau electrice etc.). Țineți dispozitivul la distanță de orice suprafețe fierbinți și flăcări deschise. Acționați întotdeauna aparatul pe o suprafață plană, stabilă, curată, rezistentă la căldură și uscată.
- Nu utilizați aparatul în apropierea materialelor inflamabile sau explozive, cardurilor de credit, discurilor magnetice sau radiourilor.
- Dacă este necesar, purtați îmbrăcăminte de protecție, mască sau ochelari de protecție în timpul operării.
- Acest aparat nu este destinat operării prin intermediul unui temporizator extern sau sistem separat de comandă de la distanță.
- Nu șuntați niciodată sistemele de blocare de siguranță ale aparatului.
- **AVERTISMENT:** Mențineți neobstrucționate toate orificiile de ventilație ale aparatului.
- **AVERTISMENT:** Opriti ÎNTOTDEAUNA aparatul și deconectați-l de la sursa de alimentare cu energie electrică înaintea operațiunilor de curățare, întreținere sau depozitare.
- **AVERTIZARE!** Țineți ÎNTOTDEAUNA mâinile, părul lung și îmbrăcăminte la distanță de piesele aflate în mișcare.
- Pentru a asigura ventilația corectă, în timpul utilizării aparatului, asigurați un spațiu liber de cel puțin 20 cm în jurul acestuia.



- **Atenție!** Dacă este necesar, pentru a preveni tragerea neintenționată sau contactul cu suprafața de încălzire, dispuneți cablul de alimentare în condiții de siguranță.
- Nu introduceți mâinile în vas atunci când aparatul se află în funcțiune.
- Nu încărcați prea multe ingrediente, astfel încât produsele alimentare să nu dea peste.
- **AVERTIZARE!** Nu umpleți vasul deasupra marcatului **MAX**.
- **AVERTIZARE!** Lichidele ce urmează a fi amestecate trebuie să fie la temperatura camerei sau sub aceasta. Dacă intenționați să amestecați lichide calde, asigurați-vă că ați așezat în mod corect capacul vasului folosind, de asemenea, turația joasă pentru prelucrare. Deoarece există risc de arsură, utilizați aparatul cu atenție.
- Nu spălați aparatul cu apă sauzet de apă. Spălarea cu apă poate cauza scurgeri, putând crește riscul de șoc electric. Piesele aparatului nu sunt lavabile în mașina de spălat vase.
- Nu curățați și nu depozitați aparatul până când acesta nu s-a răcit complet.
- Nu deplasați aparatul aflat în funcțiune. Deconectați aparatul atunci când îl deplasați, susținându-l de partea inferioară.
- Pentru a evita supraîncălzirea, nu utilizați aparatul fără a adăuga ingrediente în vasul de amestecare.
- Asigurați-vă că aparatul este oprit (OFF) (0) și butonul de viteză se află în poziția „Low” (viteză scăzută) înainte de a îndepărta vasul.

RO

### Destinația produsului

- Acesta este un aparat de uz profesional.
- Aparatul este conceput pentru mixarea alimentelor în scopuri comerciale. Orice altă utilizare poate provoca avariarea aparatului sau accidentarea persoanelor.
- Utilizarea aparatului în orice alt scop reprezintă o utilizare incorectă. Utilizatorul este singurul răspunzător de orice utilizare incorectă a aparatului.

### Instalația de împământare

Acest aparat face parte din clasa de protecție I, acesta trebuind să fie conectat la un sistem de împământare. Împământarea reduce riscul de șoc electric prin asigurarea unui fir de evacuare a curentului electric. Acest aparat este dotat cu


un cablu de alimentare cu fire de împământare cu ștecher de legare la pământ. Ștecherul trebuie conectat la o priză care este instalată și împământată în mod corect.





## Componentele principale ale aparatului



1. Comutator de alimentare (0 / I)  
: Comutați în poziția „I” pentru a porni aparatul;  
: Comutați din nou în poziția „0” pentru a opri aparatul (OFF)
2. Buton de viteză (scăzută - ridicată)  
: Rotiți în sensul acelor de ceasornic pentru a crește viteza de rotație;  
: Rotiți în sens contrar acelor de ceasornic pentru a scădea viteza de rotație.
3. Buton pulsare (0 / II) :  
Pulsare la viteză maximă. Apăsăți în jos pentru activare, eliberați butonul pentru oprire.
4. Baza unității motor
5. Unitate motor
6. Asamblarea lamelor
7. Vas
8. Capac vas
9. Capac exterior
10. Capac de protecție

## Caracteristici speciale de siguranță

**IMPORTANT:** Acest aparat prezintă o caracteristică de siguranță special proiectată: carcasa de protecție (10).

Aparatul funcționează numai atunci când capacul de protecție (10) este închis și vasul (7) este instalat corespunzător pe unitatea motor (5).

## Pregătiri înainte instalării

- Îndepărtați toate ambalajele de protecție și materialele de împachetare.
- Verificați integralitatea aparatului și dacă există daune cauzate de transport. În cazul livrării incomplete (de ex. lipsa capacului vasului etc.) sau deteriorării, contactați imediat furnizorul. **NU UTILIZAȚI** aparatul. (Consultați ==> Garanția).

- Curățați aparatul și vasul (7) înainte utilizării (consultați ==> Curățare și întreținere).
- Asigurați-vă că aparatul este complet uscat.

## Instalarea

- Înainte instalării și utilizării, citiți cu atenție prezentul manual.
- Asigurați-vă că aparatul se află într-o zonă uscată iar suprafața are o rezistență suficientă pentru a-l susține. De asemenea, asigurați-vă că în apropiere nu există obiecte ce pot obstrucționa funcționarea aparatului.

- Asigurați-vă că sursa de alimentare cu energie electrică corespunde etichetei de semnalare de pe aparat.

**ATENȚIE!** Nu șunțați niciodată microcomutatoarele de siguranță.




## Transportul

- Nu deplasați aparatul aflat în funcțiune. Deconectați aparatul atunci când îl deplasați.
- Îndepărtați întotdeauna vasul (7) atunci când deplasați aparatul.
- Ridicați numai de la baza unității motor (4) atunci când deplasați aparatul.

## Funcționare

**Notă:** Din motive de siguranță, aparatul pornește numai atunci când vasul (6) este instalat corespunzător pe unitatea motor (5) și atunci când capacul de protecție (10) este închis corespunzător.

- Verificați comutatorul de alimentare (1) să fie în poziția „0” și rotiți butonul de viteză (2) în poziția „Low” (viteză scăzută).
- Scoateți aparatul din priză și deschideți capacul de protecție (10), extrageți vasul (7) din unitatea motor (5).
- Turnați toate ingredientele în vas (7) și închideți capacul (8) și puneți capacul exterior (9) în poziția corectă.
- Puneți vasul (7) pe unitatea motor (5) & închideți capacul de protecție (10).
- Conectați ștecherul electric la o priză potrivită de alimentare cu energie electrică.
- Porniți aparatul apăsând comutatorul de alimentare (1) în poziția „I” & selectați viteza potrivită rotind butonul de viteză (2).

Setare buton de viteză (2)	Descriere
Viteză redusă	Pentru amestecarea lichidelor
Viteză și mare	Pentru amestecarea lichidelor și ingredientelor solide
Funcție de pulsare (0 / II) 	Pentru spargerea gheții sau pentru mișcări scurte de tip impuls. Notă: Utilizați funcția de pulsare pentru 1 ~ 2 secunde de fiecare dată. Dacă este necesar, repetați.

După utilizare, puneți comutatorul de alimentare (1) în poziția „0” și deconectați ștecherul din priză electrică.

### Observații:

1. Pentru cele mai bune rezultate, atunci când amestecați produse alimentare solide, adăugați numai porțiuni mici, pe rând, și nu toate ingredientele în același timp.
2. Începeți întotdeauna cu viteză inferioară. Dacă este necesar, comutați ulterior la viteză mai mare sau la funcția de pulsare („Pulse”), astfel încât să nu blocați ansamblul de cuțițe (6).
3. Nu utilizați aparatul prezent pentru a mixa produse alimentare dure, precum nucile.
4. Nu umpleți vasul (7) cu lichide al căror nivel întrece marcajul **MAX**.
5. Lichidele ce urmează a fi amestecate trebuie să fie la temperatura camerei sau sub aceasta. Dacă intenționați să amestecați lichide calde, asigurați-vă că ați așezat în mod corect capacul vasului (8) folosind, de asemenea, turația joasă pentru prelucrare. Deoarece există risc de arsură, utilizați aparatul cu atenție.
6. Din cauza zgomotului puternic care poate afecta auzul, vă recomandăm să evitați operarea pentru perioade lungi de timp.



## Curățarea și întreținerea

**Atenție:** Deconectați întotdeauna aparatul de la priza electrică și lăsați-l să se răcească complet înaintea operațiunilor de curățare, întreținere, reparare ori depozitare a acestuia.

### Curățarea

- Curățați aparatul și vasul (7) după fiecare utilizare și asigurați-vă că toate reziduurile de alimente sunt eliminate.
- Nu scufundați niciodată aparatul în apă sau în alte lichide.
- Curățați suprafața cu o lavetă ușor umedă sau cu un burete cu soluție de săpun neutră.
- Nu folosiți niciodată bureți abrazivi, detergenți, lână de oțel sau ustensile metalice pentru a curăța piesele interne sau externe ale aparatului.
- NU spălați aparatul cu apă sau jet de apă. Spălarea cu apă poate cauza scurgeri, putând crește riscul de șoc electric.
- Piesele aparatului nu sunt lavabile în mașina de spălat vase.

### Procedura de curățare recomandată:

Piese	Modul de curățare	Frecvența
Unitate motor (5)	- Nu scufundați niciodată această piesă în apă sau în alte lichide. - Utilizând o cârpă umedă cu puțin detergent și apă, clătiți, dezinfecțați și uscați temeinic.	Curățați după fiecare utilizare.
Vas, capac vas și capac de acoperire	- Curățați cu apă și detergent slab. - Clătiți apoi sub jet de apă. - Uscați toate piesele înainte de a utiliza aparatul din nou.	Curățați după fiecare utilizare.
Ansamblu de cuțite (6)	- Avertizare! Risc de rănire! Curățați cuțitele cu grijă. - Curățați cu apă și detergent slab. - Uscați toate piesele înainte de a utiliza aparatul din nou.	Curățați după fiecare utilizare.

RO

### Depozitarea

- Înaintea depozitării, asigurați-vă întotdeauna că aparatul a fost deja deconectat de la priza electrică și că acesta s-a răcit complet.
- Depozitați aparatul într-un loc răcoros, curat și uscat.



## Depanarea

Dacă aparatul nu funcționează corespunzător, vă rugăm să verificați tabelul de mai jos pentru a găsi o soluție. Dacă, în continuare, nu puteți rezolva problema, contactați furnizorul/prestatorul serviciilor.

Probleme	Cauze posibile	Soluție posibilă
Aparatul nu pornește	Carcasa de protecție (10) nu se află în poziția de închidere corectă.	Asigurați-vă că modul de închidere al carcasei de protecție (10) este corespunzător.
	Vasul (7) nu este așezat în mod corect.	Asigurați-vă că vasul (7) este fixat în mod corespunzător.
	Comutatorul de alimentare (1) nu este apăsat.	Apăsați comutatorul de alimentare (1)
Aparatul se oprește în timpul funcționării	Funcția integrată de siguranță în caz de supraîncărcare este activată.	<ul style="list-style-type: none"><li>- Opriți aparatul [OFF] prin aducerea comutatorului (1) în modul „0” și deconectați aparatul de la priza de curent electric.</li><li>- Permiteți aparatului să se răcească timp de aproximativ 30 de minute, după care reporniți.</li></ul>

## Specificații tehnice

Nr. articol: 230688, 230602

Tensiunea și frecvența de funcționare:

220- 240V~ 50/60Hz

Putere de intrare nominală: 1.680 W

Clasa de protecție: Clasa I

Clasa de impermeabilitate: IP23

Capacitate maximă: 2,5 L

Dimensiune: 252x258x(H)547mm

Greutate netă: aprox. 9,7kg

Nivel de zgomot: ≤ 85dB(A)

Viteză de rotație fără încărcare (rpm):

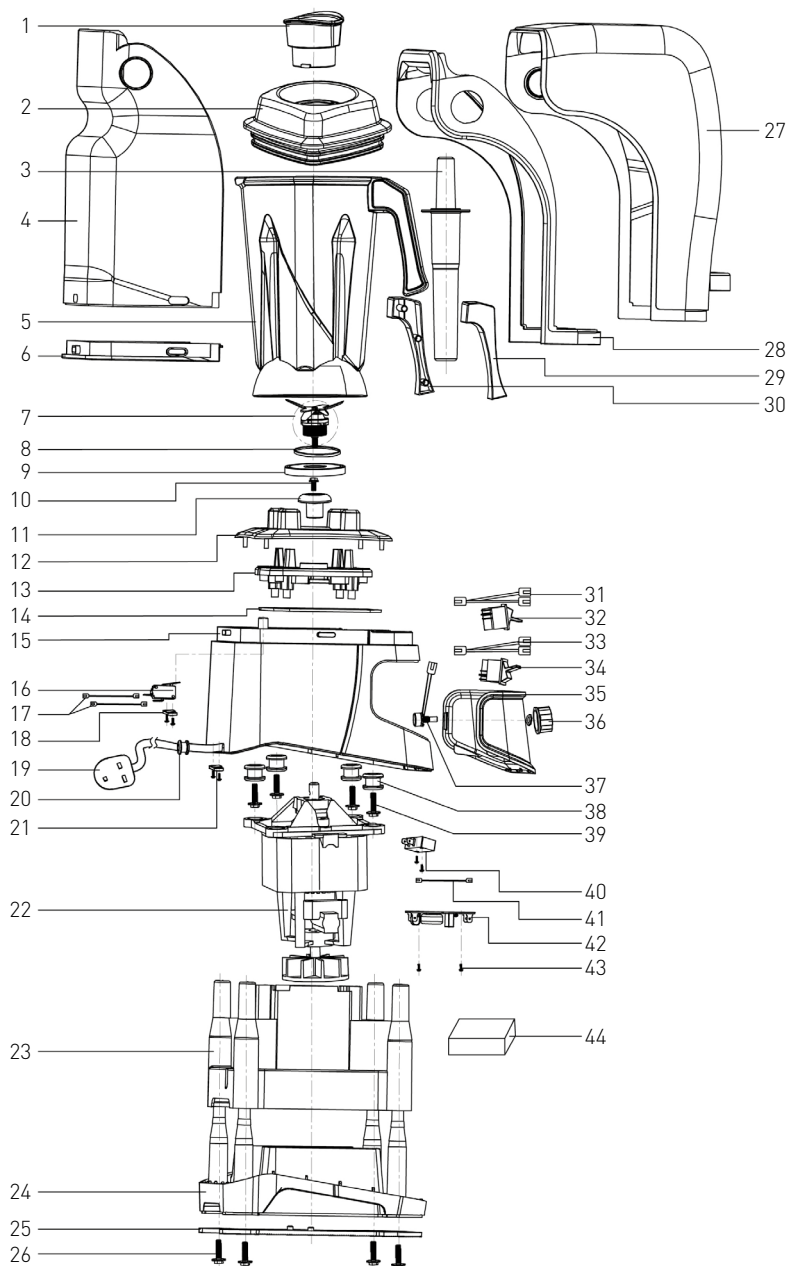
- Minim: 16,000 +/- 10%

- Maxim: 24,800 +/- 10%

Material recipient: Tritan (230602), PC (230688)

**Observație:** Specificațiile tehnice sunt supuse modificării fără notificare prealabilă.

## Schema desfășurată a aparatului



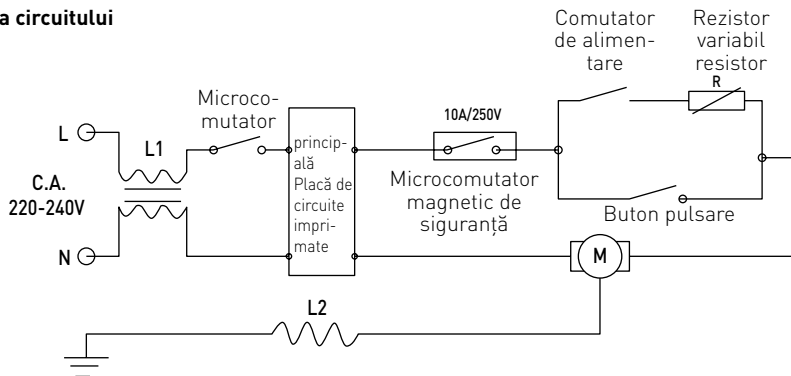
RO



## Lista pieselor aparatului

Nr. piesă	Denumire piesă	Cantitate	Nr. piesă	Denumire piesă	Cantitate
1	Carcasă capac	1	23	Carcasă interioară a motorului	1
2	Capac vas	1	24	Carcasă inferioară	1
3	Tijă de presare (nu sunt furnizate)	1	25	Placă inferioară	1
4	Carcasă de protecție (spate)	1	26	Șurub de fixare	4
5	Set de vase	1	27	Carcasă de protecție (față)	1
6	Garnitură de etanșare a carcasei de protecție (spate)	1	28	Carcasă de protecție (interioară)	1
7	Ansamblu de cuțite	1	29	Carcasă mâner vas (stânga)	1
8	Inel de etanșare al ansamblului de cuțite	1	30	Carcasă mâner vas (dreapta)	1
9	Inel de etanșare de dimensiuni mari	1	31	Bornă de conectare internă pentru butonul de pulsare	1
10	Șurub de fixare	1	32	Buton pulsare	1
11	Dispozitiv de cuplare	1	33	Bornă de conectare internă pentru comutatorul de alimentare	1
12	Suport pentru vas	1	34	Comutator de alimentare	1
13	Suport pentru vas	1	35	Capacul tabloului de comandă	1
14	Carcasă de etanșeitate din cauciuc	1	36	Buton de viteză	1
15	Carcasă exterioară a motorului	1	37	Bornă de conectare internă pentru butonul de viteză	1
16	Ansamblu microcomutator de siguranță	1	38	Amortizoare anti-șoc	4
17	Terminal fir intern al microcomutatorului de siguranță	1	39	Șuruburi de fixare pentru amortizoarele anti-șoc	4
18	Șuruburi de fixare pentru microcomutator	2	40	Ansamblu microcomutator magnetic	1
19	Ștecher de alimentare	1	41	Terminal fir intern al comutatorului magnetic	1
20	Cablul de alimentare	1	42	Ansamblu placă de circuite imprimate	1
21	Clemă pentru cablul de alimentare	1	43	Șuruburi pentru fixarea ansamblului plăcii cu circuite imprimate	4
22	Ansamblu motor	1	44	Bumbac de absorbție a sunetului	1

## Schema circuitului



## Garanție

Orice defecțiune care afectează funcționarea aparatului apărută la mai puțin de un an de la cumpărarea acestuia va fi remediată prin reparație sau înlocuire gratuită, cu condiția ca aparatul să fi fost folosit și întreținut conform instrucțiunilor nu să nu fi fost bruscat sau folosit necorespunzător în vreun fel. Drepturile dumneavoastră legale nu sunt afectate. Dacă aparatu-

l este în garanție, menționați când și de unde a fost cumpărat și includeți dovada cumpărării (de ex. chitanța).

Conform politicii noastre de dezvoltare continuă a produsului, ne rezervăm dreptul de a modifica produsul, ambalajul și documentația fără notificare.

## Eliminarea și mediul înconjurător


La dezafectarea aparatului, produsul nu trebuie aruncat împreună cu alte deșeuri menajere. În schimb, este responsabilitatea dumneavoastră să eliminați echipamentul uzat prin predarea acestuia la un punct de colectare desemnat. Nerespectarea acestei reguli poate fi penalizată în conformitate cu reglementările aplicabile privind eliminarea deșeurilor. Colectarea separată și reciclarea echipamentului dumneavoastră uzat la momentul debarasării contribuie la conser-

varea resurselor naturale și asigură realizarea reciclării într-un mod care protejează sănătatea ființelor umane și a mediului. Pentru informații suplimentare privind modul în care puteți preda deșeurile dumneavoastră în scopul reciclării, vă rugăm să contactați compania locală de colectare a deșeurilor. Producătorii și importatorii nu își asumă responsabilitatea cu privire la reciclarea, tratarea și eliminarea ecologică a deșeurilor, fie direct, fie prin intermediul unui sistem public.



Большое Вам спасибо за то, что Вы купили оборудование фирмы Hendi. Вам следует внимательно прочитать настоящую инструкцию пользователя во избежание повреждения машины в результате неправильной эксплуатации. Особенно рекомендуем ознакомиться с предупреждениями.

## Правила техники безопасности

- Неправильная эксплуатация и неподходящее использование агрегата может привести к его поломке и поранить оператора.
- Это оборудование предназначено для коммерческого использования.
- Оборудование следует использовать точно по назначению. Производитель не несет ответственности за повреждения, вызванные неправильной эксплуатацией или неправильным обслуживанием оборудования.
- Оборудование и электрическую штепсельную вилку следует держать вдали от воды и прочих жидкостей. Если штепсельная вилка попадет в воду, ее следует тут же вытащить из розетки электропитания и обратиться в службу сертифицированного сервиса для проверки устройства. Несоблюдение данных указаний может повлечь за собой угрозу здоровью и жизни обслуживающего персонала.
- Нельзя снимать кожух без особого разрешения.
- Нельзя класть никаких посторонних предметов вовнутрь агрегата.
- Нельзя касаться мокрыми, или влажными руками штепсельной вилки.
-  **Опасность поражения током!** Не следует самостоятельно чинить электроаппаратуру. Любые поломки и неисправности должны устраняться квалифицированным персоналом.
- **Никогда не следует пользоваться поврежденной электроаппаратурой.** Поврежденное устройство нужно отсоединить от электросети и обратиться к продавцу.
- **Предупреждение:** не следует погружать электрических деталей в воду, или иные жидкости. Не омыwać в струе воды.
- Регулярно проверять вилку и провод электропитания на предмет повреждений. Поврежденные вилку или провод передать для ремонта в сервисную точку, или обратиться к квалифицированному электрику во имя предотвращения опасности травм.
- Удостовериться, что провод электропитания не касается острых и горячих предметов; держать электропровод вдали от открытого огня. Для того, чтобы вынуть вилку из розетки всегда нужно тянуть за вилку, а не за электропровод.
- Защитить провод электропитания (удлинитель) от случайного выпадения из розетки. Электропровод прокладывать так, чтобы случайно не зацепиться за него.
- Непрестанно наблюдать за работающей электроаппаратурой.
- **Предупреждение!** Если вилка находится в розетке – это означает, что электроаппаратура считается подключенной к электропитанию.
- Перед тем, как вынуть вилку из розетки, электроаппаратуру следует выключить!



- Никогда нельзя переносить, передвигать электроаппаратуру держа за электропровод.
- Не использовать никаких деталей, аксессуаров, которые не поставляются вместе с этой электроаппаратурой.
- Электроаппаратуру следует подключать исключительно к розетке, в которой имеется напряжение и частота, указанную на щитке электроаппаратуры.
- Вилку следует вставлять в розетку, расположенную в удобном и легкодоступном месте, так чтобы в случае аварии можно было ее немедленно вынуть. Для полного обесточивания электроаппаратуры ее следует отсоединить от электропитания; для этого следует вынуть вилку, находящуюся на конце провода электропитания, из розетки.
- Перед тем, как вынуть вилку всегда следует помнить о том, чтобы сначала выключить электроаппаратуру!
- Не следует использовать детали, аксессуары, не рекомендуемые производителем данной электроаппаратуры, т.к. использование таких деталей, аксессуаров может создать для пользователя угрозу его здоровью и жизни, а также может привести к поломке электроаппаратуры. Следует всего использовать оригинальные детали, аксессуары.
- Без надлежащего контроля или предварительного обучения эксплуатации оборудования проводимого лицом, отвечающим за безопасную эксплуатацию, оборудованием не могут пользоваться ни дети, ни лица с ограниченными физическими, или психическими возможностями, ни лица, которые не обладают необходимым опытом работы и знаниями в данной области.
- Ни в коем случае нельзя допускать к использованию электроаппаратуры детей.
- Электроаппаратуру следует хранить в месте недоступном для детей.
- Нельзя разрешать детям использовать электроаппаратуру в качестве игрушки.
- Всегда электроаппаратуру следует отсоединить от электропитания, если оставляем ее без надзора, перед монтажом, демонтажом и чисткой.
- Нельзя оставлять работающую электроаппаратуру без надзора.

---

## **Специальные нормы безопасности**

- Устройство следует использовать строго в соответствии с настоящим руководством.
- Эксплуатация и установка данного устройства должны производиться специально обученным кухонным персоналом предприятий общественного питания.
- Все работы по техническому обслуживанию, монтажу и ремонту должны выполняться специально обученными квалифицированными техниками.
- Не помещайте устройство на нагревательные приборы (керосиновые, электрические, угольные печи и т. д.). Держите устройство вдали от горячих поверхностей и открытого огня. Устройство следует использовать только на ровной, устойчивой, чистой, сухой и термостойкой поверхности.



- Устройство не следует использовать вблизи от взрывоопасных или воспламеняющихся материалов, кредитных карт, магнитных дисков или радиоустройство.
- При необходимости во время эксплуатации следует носить защитную одежду, маску или защитные очки.
- Данное устройство не предназначено для использования с внешним таймером или отдельной системой дистанционного управления.
- Никогда не следует отключать блокировочные защитные устройства.
- **ПРЕДУПРЕЖДЕНИЕ.** Все вентиляционные отверстия в корпусе устройства должны быть открыты.
- **ПРЕДУПРЕЖДЕНИЕ.** ВСЕГДА выключайте устройство и отключайте его от источника питания перед чисткой, техническим обслуживанием или помещением на хранение.
- **ПРЕДУПРЕЖДЕНИЕ!** НИКОГДА не допускайте нахождение рук, длинных волос или одежды вблизи движущихся частей.
- Обеспечьте вокруг устройства свободное пространство не менее 20 см для целей вентиляции.
- **Осторожно!** При необходимости следует надежно закрепить кабель питания, чтобы случайно не выдернуть его и не допустить контакта с нагреваемой поверхностью.
- Не помещайте руки в контейнер во время работы устройства.
- Не загружайте в устройство слишком много ингредиентов, чтобы предотвратить переполнение пищевыми продуктами.
- **ПРЕДУПРЕЖДЕНИЕ!** Не заполняйте контейнер до уровня выше отметки **MAX**.
- **ПРЕДУПРЕЖДЕНИЕ!** Смешиваемые жидкости должны иметь комнатную или более низкую температуру. Если вы хотите смешать теплые жидкости, убедитесь, что крышка контейнера плотно закрыта и используйте низкую скорость работы. Будьте осторожны, чтобы избежать ожогов.
- Мытье устройства проточной водой или использование водяной струи при мытье устройства запрещается. Мытье водой воду может привести к появлению тока утечки и повысить вероятность поражения током. Никакие детали устройства нельзя мыть в посудомоечной машине.
- Устройство не следует чистить или помещать на хранение, пока оно полностью не остынет.
- Запрещается перемещать включенное устройство. Перед перемещением устройства его следует отключить и держать за низ.
- Устройство не следует использовать устройство без ингредиентов, чтобы избежать перегрева.
- Прежде чем снимать комплект контейнера, убедитесь, что устройство выключено (0) и ручка управления скоростью находится в положении «Низкая».

## Назначение устройства

- Устройство предназначено для профессионального использования.
- Оборудование предназначено только для измельчения и смешивания пищевых продуктов. Использование устройства для любых других целей может привести к повреждению или травме тела.

- Использование устройства для любых других целей будет рассматриваться, как использование не по назначению. Пользователь будет нести исключительную ответственность за неправильное использование устройства.

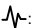
## Монтаж заземления

Данное устройство классифицируется как устройство с классом защиты I, и его необходимо подключать к заземлению. Заземление снижает вероятность поражения током, обеспечивая отвод электрического Устройство

оборудовано кабелем с проводом заземления и штекером заземления. Штекер следует подключать к надлежащим образом установленной и заземленной розетке.

## Основные детали устройства



1. Выключатель (0 / I)  
: Переключите в положение "I" для включения устройства;  
: Переключите обратно в положение "0" для выключения устройства.
2. Ручка регулировки скорости (от низкой к высокой)  
: Поворачивайте по часовой стрелке, чтобы увеличить частоту вращения;  
: Поворачивайте против часовой стрелке, чтобы уменьшить частоту вращения.
3. Кнопка импульса (0 / II)   
Импульсное движение на полной скорости. Нажмите вниз, чтобы активировать, отпустите кнопку, чтобы остановить.
4. Дно подставки с мотором
5. Мотор
6. Блок лопастей
7. Комплект контейнера
8. Крышка контейнера
9. Колпачок крышки
10. Защитная крышка

## Особые средства безопасности

**ВАЖНО:** В данном устройстве имеется специальное средство безопасности: защитная крышка (10).

Устройство можно использовать, только если защитная крышка (10) закрыта, и контейнер (7) правильно установлен на подставку с мотором (5).



## Подготовка к установке

- Снимите защитную упаковку и обертку.
- Проверьте комплектацию устройства и убедитесь в отсутствии повреждений при транспортировке. В случае неполной комплектации (например, если отсутствует крышка контейнера и т. д.) немедленно свяжитесь с поставщиком. НЕ используйте устройство. (См. ==> Гарантия).
- Перед использованием следует очистить устройство и контейнер (7) (См. ==> «Чистка и обслуживание»).
- Убедитесь, что устройство полностью сухое.

## Установка

- Перед установкой и использованием внимательно прочитайте настоящее руководство.
  - Устройство следует устанавливать в сухое место на поверхность, достаточно прочную, чтобы выдержать устройство. Также необходимо убедиться в отсутствии поблизости предметов, мешающих работе устройства.
  - Источник электропитания должен соответствовать рейтингу, указанному на устройстве.
- ВНИМАНИЕ! Никогда** не отключайте никакие предохранительные микровыключатели.


## Транспортировка

- Запрещается перемещать включенное устройство. Необходимо отключить устройство из розетки при перемещении.
- При перемещении следует снимать комплект контейнера (7).
- При подъеме следует держать устройство только за дно подставки с мотором (4).

## Работа

**Примечание.** По причинам безопасности устройство можно включать, только если контейнер (6) правильно установлен на подставку с мотором (5) и защитная крышка (10) закрыта надлежащим образом.

- Убедитесь, что выключатель (1) находится в положении "0" и поверните ручку регулировки скорости (2) в положение «Низкая».
- Отключите устройство, снимите защитную крышку (10), снимите контейнер (7) с блока мотора (5).
- Налейте в контейнер все ингредиенты (7) и закройте его крышкой (8), затем установите на место колпачок крышки (9).
- Поставьте комплект контейнера (7) на блок мотора (5) и закройте защитную крышку (10).
- Подключите штекер в подходящую электрическую розетку.
- **ВКЛЮЧИТЕ** устройство, переместив выключатель (1) в положение "1" и выберите подходящую скорость, повернув ручку регулировки скорости (2).

Настройка ручки регулировки скорости (2)	Описание
Низкая скорость	Для смешивания жидкостей
Высокая скорость	Для смешивания жидкостей и твердых ингредиентов
Импульсная функция (0 / II) 	Для размалывания льда или краткосрочных операций Примечание. Импульсную функцию следует использовать в течение 1 ~ 2 секунд за раз. При необходимости нужно повторить процедуру несколько раз.

После использования следует повернуть выключатель (1) в положение "0" для перехода в режим ожидания и отключить штекер из электрической розетки.



## Замечания.

1. Для получения наилучших результатов при смешивании пищевых продуктов следует постепенно добавлять небольшие порции ингредиентов, а не засыпать все ингредиенты сразу.
2. Начинать работу всегда следует на низкой скорости. При необходимости можно переключиться с низкой скорости на высокую или использовать функцию «Импульс» так, чтобы не повредить лопасти мешалки (6).
3. Не используйте устройство для перемалывания твердых продуктов, например орехов.
4. Не заливайте жидкость в контейнер (7) до уровня выше отметки **MAX**.
5. Смешиваемые жидкости должны иметь комнатную или более низкую температуру. Если вы хотите смешать теплые жидкости, убедитесь, что крышка контейнера (8) плотно закрыта и используйте низкую скорость работы. Будьте осторожны, чтобы избежать ожогов.
6. Избегайте использование устройства в течение длительного времени, т.к. сильный шум может повредить слух.

## Чистка и обслуживание

**Внимание! Перед чисткой, техобслуживанием, ремонтом и помещением на хранение всегда отключайте устройство из розетки и давайте ему остыть.**

### Чистка

- Очищайте устройство и контейнер (9) после каждого использования так, чтобы удалить все остатки пищевых продуктов.
- Никогда не погружайте устройство в воду или другие жидкости.
- Очищайте поверхность влажной тряпкой или губкой, смоченной слабым мыльным раствором.
- Никогда не используйте абразивные губки или моющие средства, проволочные губки или металлические приборы для очистки внутренних или наружных частей устройства.
- НЕ допускается мыть устройство под проточной водой или водяной струей. Использование воды для мойки может привести к утечке тока и повысить вероятность поражения током.
- Никакие детали устройства нельзя мыть в посудомоечной машине..

### Рекомендуемая процедура очистки:

Детали	Проведение очистки	Частота
Мотор (5)	- Никогда не погружайте эту деталь в воду или другие жидкости. - Используйте тряпку, смоченную в моющем средстве и воде, сполосните, продезинфицируйте и тщательно высушите устройство.	Проводите очистку после каждого использования
Контейнер, крышка и колпачок	- Для очистки используйте воду и мягкие моющие средства. - Затем сполосните проточной водой. - Перед повторным использованием высушите все детали.	Проводите очистку после каждого использования
Блок лопастей (6)	- Внимание! Опасность травмы! Будьте очень осторожны при очистке лопастей. - Для очистки используйте воду и мягкие моющие средства. - Перед повторным использованием высушите все детали.	Проводите очистку после каждого использования



## Хранение

- Перед помещением на хранение необходимо отключить устройство от электрической сети и дать ему полностью остыть.
- Устройство следует хранить в сухом, чистом и прохладном месте.

## Поиск и устранение неисправностей

Если устройство не работает надлежащим образом, используйте следующую таблицу для поиска решения. Если вы не можете решить проблему, свяжитесь с поставщиком / сервисным специалистом.

Проблемы	Возможные причины	Возможное решение
Устройство не запускается	Защитная крышка (10) не закрыта надлежащим образом.	Убедитесь, что защитная крышка (10) закрыта надлежащим образом.
	Контейнер (7) неправильно установлен.	Убедитесь, что комплект контейнера (7) установлен правильно.
	Выключатель (1) не включен	Включите выключатель (1)
Устройство не запускается	Активирована встроенная система защиты от перегрузки.	- Выключите устройство, переведя выключатель (1) в положение "0", а затем отключите устройство из розетки. - Дайте устройству остыть в течение примерно 30 минут, а затем снова включите его.

## Техническая спецификация

№ позиции: 230688, 230602

Рабочее напряжение и частота:

220-240V- 50/60Hz

Номинальная входная мощность: 1 680 Вт

Класс защиты: класс I

Класс защиты от попадания воды: IP23

Максимальная емкость: 2,5L

Размеры: 252x258x(B)547mm

Масса нетто: прил. 9,7 кг

Уровень шума: < 85 дБ(A)

Частота вращения без нагрузки (об./мин):

- Минимум: 16,000 +/- 10%

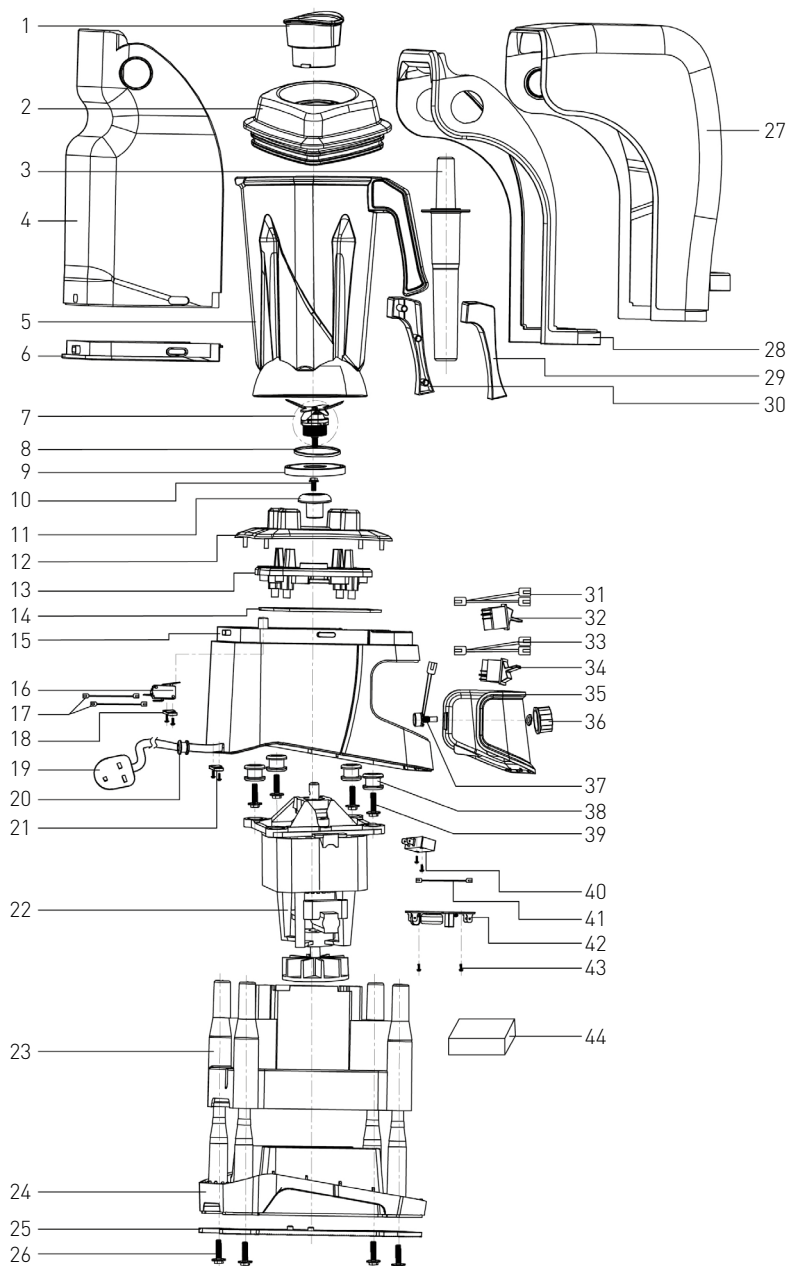
- Максимум: 24,800 +/- 10%

Кувшин из пластика: Тритан (230602), Поликарбонат (230688)

**Примечание.** Технические характеристики могут быть изменены без предварительного уведомления.



## Развернутый чертеж устройства



RU

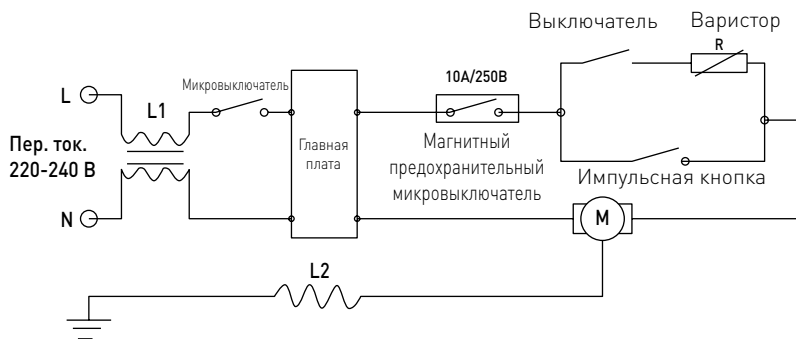


## Список деталей устройства

№ детали	Название детали	Кол-во	№ детали	Название детали	Кол-во
1	Защитная крышка	1	23	Внутренний корпус мотора	1
2	Крышка контейнера	1	24	Дно корпуса	1
3	Матрица (не поставляются)	1	25	Нижняя пластина	1
4	Защитная крышка (задн.)	1	26	Фиксирующий винт	4
5	Комплект контейнера	1	27	Защитная крышка (спереди)	1
6	Резиновое уплотнение защитной крышки (заднее)	1	28	Защитная крышка (внутр.)	1
7	Блок лопастей	1	29	Левая крышка ручки контейнера	1
8	Уплотнительное кольцо блока лопастей	1	30	Правая крышка ручки контейнера	1
9	Большое уплотнительное кольцо	1	31	Внутренняя клемма импульсной кнопки	1
10	Монтажный винт	1	32	Импульсная кнопка	1
11	Зажим	1	33	Внутренняя клемма импульсной кнопки	1
12	Держатель контейнера	1	34	Выключатель	1
13	Опора держателя контейнера	1	35	Крышка панели управления	1
14	Крышка резинового уплотнения	1	36	Ручка регулировки скорости	1
15	Внешний корпус мотора	1	37	Внутренняя клемма ручки регулировки скорости	1
16	Блок предохранительных микровыключателей	1	38	Противоударные заглушки	4
17	Внутренняя клемма для предохранительного микровыключателя	1	39	Монтажные винты для противоударных заглушек	4
18	Монтажные винты для микровыключателей	2	40	Блок магнитных микровыключателей	1
19	Штекер	1	41	Внутренняя клемма для магнитного микровыключателя	1
20	Кабель питания	1	42	Блок платы	1
21	Зажим кабеля питания	1	43	Винты для крепления блока платы	4
22	Сборка мотора	1	44	Хлопковая звукоизоляция	1



## Схема Цепи



## Гарантия

Любая неподелка или поломка, которая влечет за собой неправильную работу устройства, которая будет выявлена в течение первого года от даты покупки, будет устранена бесплатно, или же все устройство будет заменено новым, если оно эксплуатировалось и обслуживалось согласно инструкции по обслуживанию и не использовалось неправильно, или в разрез с назначением. Данное положение ни коей мере не нарушает иных прав потребителя, изложенных в законодательстве. В случае заявления

устройства в ремонт или на замену в рамках гарантии, следует указать место и дату покупки устройства и приложить счет, или чековую квитанцию.

Согласно нашей политике совершенствования наших продуктов оставляем за собой право на ввод изменений в конструкцию, упаковку и в технические параметры, указываемые в технической документации без предупреждения.

RU

## Утилизация и защита окружающей среды

В случае вывода оборудования из эксплуатации, продукт нельзя утилизировать вместе с другими бытовыми отходами. Пользователь несет ответственность за передачу оборудования в соответствующий пункт приема техники бывшей в употреблении. Несоблюдение вышеуказанного положения может привести к наложению штрафов в соответствии с действующими правилами в отношении утилизации отходов. Селективный сбор и утилизация использованного оборудования способствуют


сохранению природных ресурсов и обеспечивают рециркуляцию таким образом, который не вреден для здоровья и окружающей среды. Для получения дополнительной информации о том, где можно отдать использованное оборудование для утилизации, обратитесь в местную компанию по сбору отходов. Производитель и импортер не несут ответственности за рециркуляцию и переработку отходов экологически безопасным способом, как непосредственно, так и в рамках государственной системы.



Αγαπητέ πελάτη,

Ευχαριστούμε που αγοράσατε αυτό το προϊόν HENDI. Διαβάστε προσεκτικά το παρόν χειριρίδιο πριν συνδέσετε τη συσκευή, προκειμένου να προλάβετε πιθανή βλάβη που μπορεί να οφείλεται σε λαν-θασμένη χρήση. Διαβάστε ιδίως τους κανονισμούς ασφαλείας πολύ προσεκτικά.

## Κανονισμοί ασφαλείας

- Η συσκευή είναι για επαγγελματική χρήση.
- Η συσκευή πρέπει να χρησιμοποιείται μόνο για τον σκοπό για τον οποίο προορίζεται και σχεδιάστηκε. Ο κατασκευαστής δεν ευθύνεται για τυχόν ζημιές που προκλήθηκαν από εσφαλμένη λειτουργία και ακατάλληλη χρήση.
- Κρατήστε τη συσκευή και το βύσμα μακριά από νερό και άλλα υγρά. Σε περίπτωση που η συσκευή πέσει μέσα σε νερό, αφαιρέστε αμέσως το βύσμα από την πρίζα και μην τη χρησιμοποιήσετε μέχρι να ελεγχθεί η συσκευή από πιστοποιημένο τεχνικό. Η μη τήρηση των οδηγιών ενδέχεται να προκαλέσει κίνδυνο προς τη ζωή.
- Μην επιχειρήσετε ποτέ να ανοίξετε μόνοι σας το περίβλημα της συσκευής.
- Μην εισάγετε αντικείμενα στο περίβλημα της συσκευής.
- Μην αγγίζετε το βύσμα με υγρά χέρια.
-  **Κίνδυνος ηλεκτροπληξίας!** Μην επιχειρήσετε να επισκευάσετε μόνοι σας τη συσκευή. Σε περίπτωση δυσλειτουργίας, οι επισκευές πρέπει να διενεργούνται μόνο από εξειδικευμένο προσωπικό.
- **Μην χρησιμοποιείτε ποτέ συσκευή με βλάβη!** Σε περίπτωση βλάβης, αποσυνδέστε τη συσκευή από την πρίζα και επικοινωνήστε με τον πωλητή.
- **Προειδοποίηση!** Μην βυθίζετε τα ηλεκτρικά μέρη της συσκευής σε νερό ή άλλα υγρά. Μην βάζετε ποτέ τη συσκευή κάτω από τρεχούμενο νερό.
- Ελέγχετε τακτικά το βύσμα και το καλώδιο τροφοδοσίας για τυχόν ζημιές. Εάν το βύσμα ή το καλώδιο τροφοδοσίας είναι κατεστραμμένο, πρέπει να αντικατασταθεί από τεχνικό σέρβις ή εξειδικευμένα άτομα για την αποφυγή τυχόν κινδύνου ή τραυματισμού.
- Βεβαιωθείτε ότι το καλώδιο δεν έρχεται σε επαφή με αιχμηρά ή θερμά αντικείμενα και κρατήστε το μακριά από φωτιά. Για να βγάλετε το βύσμα από την πρίζα, να τραβάτε πάντα το βύσμα και όχι το καλώδιο.
- Βεβαιωθείτε ότι το καλώδιο (ή το καλώδιο επέκτασης) είναι τοποθετημένο έτσι ώστε να μην προκαλέσει κίνδυνο να σκοντάψει κανείς.
- Να προσέχετε πάντα τη συσκευή κατά τη χρήση.
- **Προειδοποίηση!** Όσο το βύσμα είναι στην πρίζα, η συσκευή είναι συνδεδεμένη στην πηγή τροφοδοσίας.
- Απενεργοποιήστε τη συσκευή πριν τραβήξετε το βύσμα από την πρίζα.
- Ποτέ μην μεταφέρετε τη συσκευή από το καλώδιο.
- Μην χρησιμοποιείτε συσκευές που δεν παρέχονται μαζί με τη συσκευή.
- Συνδέστε τη συσκευή μόνο σε ηλεκτρική πρίζα με τάση και συχνότητα που αναφέρονται στην ετικέτα της συσκευής.
- Συνδέστε το βύσμα σε μια εύκολα προσβάσιμη ηλεκτρική πρίζα έτσι ώστε σε

GR



περίπτωση έκτακτης ανάγκης η συσκευή να μπορεί να αποσυνδεθεί αμέσως. Για να απενεργοποιήσετε πλήρως τη συσκευή, βγάλτε το βύσμα από την πρίζα.

- Απενεργοποιείτε πάντα τη συσκευή πριν αποσυνδέσετε το βύσμα.
- Μην χρησιμοποιείτε ποτέ εξαρτήματα διαφορετικά από αυτά που συνιστώνται από τον κατασκευαστή. Σε αντίθετη περίπτωση, μπορεί να δημιουργηθεί κίνδυνος για τον χρήστη και να προκληθεί ζημιά στη συσκευή. Χρησιμοποιείτε μόνο αυθεντικά εξαρτήματα και αξεσουάρ.
- Αυτή η συσκευή δεν προορίζεται για χρήση από άτομα (συμπεριλαμβανομένων παιδιών) με μειωμένες σωματικές, αισθητήριες ή διανοητικές ικανότητες ή με έλλειψη πείρας και γνώσης.
- Αυτή η συσκευή δεν πρέπει, σε καμία περίπτωση, να χρησιμοποιείται από παιδιά.
- Κρατήστε τη συσκευή και το καλώδιο μακριά από παιδιά.
- Να αποσυνδέετε πάντα τη συσκευή από το ρεύμα εάν αφήνεται χωρίς επιτήρηση ή δεν χρησιμοποιείται και πριν από εργασίες συναρμολόγησης, αποσυναρμολόγησης ή καθαρισμού.
- Μην αφήνετε ποτέ τη συσκευή χωρίς επιτήρηση ενώ βρίσκεται σε λειτουργία.

---

## Ειδικοί Κανονισμοί Ασφαλείας

- Χρησιμοποιείτε το μηχάνημα μόνο όπως περιγράφεται σε αυτό το εγχειρίδιο.
- Αυτό το μηχάνημα πρέπει να λειτουργεί και να εγκαθίσταται από εξειδικευμένο εκπαιδευμένο προσωπικό στην κουζίνα των επαγγελματιών σίτισης.
- Όλες οι εργασίες συντήρησης, εγκατάστασης και επισκευής πρέπει να εκτελούνται από εξειδικευμένους εκπαιδευμένους εξουσιοδοτημένους τεχνικούς.
- Μην τοποθετείτε το μηχάνημα σε θερμαντικά στοιχεία (βενζίνη, ηλεκτρική κουζίνα, ψυγεία, κ.λπ.). Κρατήστε τη συσκευή μακριά από θερμές επιφάνειες και ανοιχτές φλόγες. Λειτουργείτε πάντα το μηχάνημα σε επίπεδη, σταθερή, καθαρή, ανθεκτική στη θερμότητα, στεγνή επιφάνεια.
- Μην χρησιμοποιείτε το μηχάνημα κοντά σε εκρηκτικά ή εύφλεκτα υλικά, πιστωτικές κάρτες, μαγνητικούς δίσκους ή ραδιόφωνα.
- Να φοράτε προστατευτικό ρουχισμό, μάσκα ή προστατευτικά γυαλιά, κατά τη διάρκεια της λειτουργίας.
- Αυτό το μηχάνημα δεν προορίζεται για λειτουργία με εξωτερικό χρονοδιακόπτη ή ξεχωριστό σύστημα τηλεχειρισμού.
- Μην παραβιάζετε ποτέ τυχόν μηχανισμούς ασφαλείας του μηχανήματος.
- **ΠΡΟΕΙΔΟΠΟΙΗΣΗ:** Διατηρείτε όλα τα ανοίγματα εξαερισμού της συσκευής καθαρά από εμπόδια.
- **ΠΡΟΕΙΔΟΠΟΙΗΣΗ:** Σβήνετε **ΠΑΝΤΑ** το μηχάνημα και βγάλτε το από την πρίζα πριν από τον καθαρισμό, τη συντήρηση ή την αποθήκευση.
- **ΠΡΟΕΙΔΟΠΟΙΗΣΗ!** Φυλάτε **ΠΑΝΤΑ** τα χέρια, τα μακριά μαλλιά και τα ρούχα μακριά από τα κινούμενα μέρη.
- Αφήστε τουλάχιστον 20 cm απόσταση γύρω από τη συσκευή για αερισμό κατά τη χρήση.



- **Προσοχή!** Περάστε με ασφάλεια το καλώδιο τροφοδοσίας, εάν είναι απαραίτητο, για να αποφύγετε το ακούσιο τράβηγμα ή την επαφή με την επιφάνεια θέρμανσης.
- Μην τοποθετείτε τα χέρια σας στο δοχείο όταν λειτουργεί το μηχάνημα.
- Μην βάζετε πάρα πολλά συστατικά για να αποφύγετε την υπερχειλίση των τροφίμων.
- **ΠΡΟΕΙΔΟΠΟΙΗΣΗ!** Μην γεμίζετε πάνω από την ένδειξη **MAX.** στο δοχείο.
- **ΠΡΟΕΙΔΟΠΟΙΗΣΗ!** Τα υγρά που θα αναμειχθούν πρέπει να βρίσκονται σε θερμοκρασία περιβάλλοντος ή χαμηλότερη από αυτή. Εάν πρόκειται να αναμίξετε ζεστά υγρά, βεβαιωθείτε ότι το καπάκι του δοχείου είναι σωστά τοποθετημένο και χρησιμοποιήστε χαμηλή ταχύτητα για επεξεργασία. Προσοχή, Κίνδυνος εγκαυμάτων.
- Μην πλένετε το μηχάνημα με νερό ή με πίδακα νερού. Το πλύσιμο με νερό μπορεί να προκαλέσει διαρροή και να αυξήσει τον κίνδυνο ηλεκτροπληξίας. Κανένα εξάρτημα δεν είναι ασφαλές για πλυντήριο πιάτων.
- Μην καθαρίζετε και μην αποθηκεύετε το μηχάνημα, εκτός εάν έχει κρυώσει εντελώς.
- Μην μετακινείτε το μηχάνημα ενώ βρίσκεται σε λειτουργία. Αποσυνδέστε το μηχάνημα από την πρίζα όταν το μετακινείτε και κρατήστε το από κάτω.
- Μην χρησιμοποιείτε το μηχάνημα χωρίς τρόφιμα για να αποφύγετε την υπερθέρμανση.
- Βεβαιωθείτε ότι το μηχάνημα είναι ΣΒΗΣΤΟ (θέση 0) και ότι ο επιλογέας ταχύτητας είναι στη θέση «Low-Χαμηλή» πριν αφαιρέσετε το δοχείο.

---

### Προβλεπόμενη χρήση

- Η συσκευή προορίζεται για επαγγελματική χρήση.
- Αυτή η συσκευή έχει σχεδιαστεί για ανακάτεμα και ανάμιξη τροφίμων. Οποιαδήποτε άλλη χρήση μπορεί να προκαλέσει ζημιά στη συσκευή ή τραυματισμό.
- Η χρήση της συσκευής για οποιονδήποτε άλλο σκοπό θεωρείται εσφαλμένη. Ο χρήστης είναι αποκλειστικά υπεύθυνος για την μη κατάλληλη χρήση της συσκευής.

---

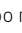
### Γείωση

Αυτή η συσκευή ταξινομείται στην κλάση προστασίας Ι και πρέπει να συνδέεται με γείωση προστασίας. Η γείωση μειώνει τον κίνδυνο ηλεκτροπληξίας παρέχοντας ένα καλώδιο διαφυγής για το ηλεκτρικό ρεύμα. Αυτή η συσκευή είναι εξοπλι-

μένη με καλώδιο που φέρει καλώδιο γείωσης με βύσμα γείωσης. Το βύσμα πρέπει να είναι συνδεδεμένο σε σωστά τοποθετημένη και γειωμένη πρίζα.ed.

## Κύρια εξαρτήματα του μηχανήματος



1. Διακόπτης τροφοδοσίας (0 / I)  
: Βάλτε τον στη θέση "I" για να ΑΝΑΨΕΤΕ το μηχανήμα;  
: Βάλτε τον στη θέση "0" για να ΣΒΗΣΕΤΕ το μηχανήμα
2. Επιλογή ταχύτητας (Χαμηλή σε Υψηλή)  
: Γυρίστε το δεξιόστροφα για να αυξήσετε την ταχύτητα περιστροφής;  
: Γυρίστε το αριστερόστροφα για να αυξήσετε την ταχύτητα περιστροφής
3. Πλήκτρο παλμικής λειτουργίας : Παλμική κίνηση πλήρους ταχύτητας. Πιέστε προς τα κάτω για λειτουργία, αφήστε το για να σταματήσει.
4. Κάτω τμήμα μονάδας κινητήρα
5. Μονάδα κινητήρα
6. Διάταξη λεπίδων
7. Δοχείο
8. Καπάκι δοχείου
9. Κάλυμμα καπακιού
10. Προστατευτικό κάλυμμα

## Ειδικά χαρακτηριστικά ασφαλείας

**ΣΗΜΑΝΤΙΚΟ:** Αυτό το μηχανήμα διαθέτει ένα ειδικό χαρακτηριστικό ασφαλείας: Προστατευτικό κάλυμμα (10).

Το μηχανήμα μπορεί να λειτουργήσει μόνο όταν το προστατευτικό κάλυμμα (10) είναι κλειστό και το δοχείο (7) είναι σωστά τοποθετημένο στη μονάδα κινητήρα (5).

## Προετοιμασία πριν από την εγκατάσταση

- Αφαιρέστε όλες τις προστατευτικές συσκευασίες και το περιτύλιγμα.
- Ελέγξτε εάν το μηχανήμα είναι πλήρες και αν έχει υποστεί ζημιά κατά τη μεταφορά. Σε περίπτωση ελλιπούς παράδοσης (π.χ. καπάκι δοχείου κλπ.) ή ζημιάς, επικοινωνήστε αμέσως με τον

ηρωμηθευτή. ΜΗΝ χρησιμοποιείτε το μηχανήμα. (Δείτε == > Εγγύηση).

- Καθαρίστε το μηχανήμα και το δοχείο (7) πριν την χρήση (Δείτε ==> Καθαρισμός και Συντήρηση).
- Βεβαιωθείτε ότι η συσκευή είναι εντελώς στεγνή.

## Εγκατάσταση

- Διαβάστε ολόκληρο και προσεκτικά αυτό το εγχειρίδιο πριν από την εγκατάσταση και τη λειτουργία.
- Βεβαιωθείτε ότι το μηχανήμα είναι τοποθετημένο σε στεγνό χώρο και ότι η επιφάνεια αντέχει το βάρος της συσκευής. Επίσης, βεβαιωθείτε ότι δεν υπάρχουν εμπόδια κοντά κατά τη λειτουργία της συσκευής.

- Βεβαιωθείτε ότι η παροχή ηλεκτρικού ρεύματος αντιστοιχεί στην ένδειξη στην ετικέτα της συσκευής.

**ΠΡΟΣΟΧΗ!** Μην παραβιάζετε ποτέ κανένα μικροδιακόπτη ασφαλείας.




## Μεταφορά

- Μην μετακινείτε το μηχανήμα ενώ βρίσκεται σε λειτουργία. Βγάλτε το μηχανήμα από την πρίζα όταν το μετακινείτε.
- Αφαιρείτε πάντα το δοχείο (7) κατά τη μετακίνηση.
- Σπκώστε το μόνο από το κάτω μέρος της μονάδας κινητήρα (4) όταν το μετακινείτε.

## Λειτουργία

**Σημείωση:** Για λόγους ασφαλείας, η συσκευή μπορεί να ξεκινήσει να λειτουργεί μόνο όταν το δοχείο (6) έχει τοποθετηθεί σωστά στη μονάδα κινητήρα (5) και όταν το προστατευτικό κάλυμμα (10) έχει κλείσει σωστά.

- Ελέγξτε εάν ο διακόπτης τροφοδοσίας (1) βρίσκεται στη θέση «0» και γυρίστε τον επιλογέα ταχύτητας (2) στη θέση «Low-Χαμηλή».
- Αποσυνδέστε το μηχανήμα από την πρίζα και ανοίξτε το προστατευτικό κάλυμμα (10), αφαιρέστε το δοχείο (7) από τη μονάδα κινητήρα (5).
- Βάλτε τα τρόφιμα στο δοχείο (7), κλείστε το καπάκι (8) και τοποθετήστε σωστά το κάλυμμα (9) στη θέση του.
- Τοποθετήστε το δοχείο (7) στη μονάδα κινητήρα (5) και κλείστε το προστατευτικό κάλυμμα (10).
- Συνδέστε το βύσμα τροφοδοσίας σε μια κατάλληλη πρίζα.
- Ανάψτε το μηχανήμα γυρίζοντας το διακόπτη τροφοδοσίας (1) στη θέση «I» και επιλέξτε κατάλληλη ταχύτητα περιστρέφοντας στον επιλογέα ταχύτητας (2).

Ρύθμιση επιλογέα ταχύτητας (2)	Περιγραφή
Χαμηλή ταχύτητα	Για την ανάμιξη υγρών
Υψηλή ταχύτητα	Για την ανάμιξη υγρών και στερεών τροφίμων
Παλμική λειτουργία (0 / II) 	Για το θρυμματισμό πάγου ή γρήγορη σύντομη παλμική λειτουργία. Σημείωση: Χρησιμοποιήστε την παλμική λειτουργία για 1 ~ 2 δευτερόλεπτα κάθε φορά. Επαναλάβετε αρκετές φορές εάν είναι απαραίτητο.

Μετά τη χρήση, γυρίστε πάντα το διακόπτη τροφοδοσίας (1) στη θέση «0» και αποσυνδέστε το φις από την πρίζα.

Παρατηρήσεις:

1. Για τα καλύτερα αποτελέσματα κατά την ανάμιξη στερεών τροφίμων, προσθέτετε λίγα λίγα τα τρόφιμα με τη σειρά, όχι όλα τα συστατικά ταυτόχρονα.
2. Ξεκινάτε πάντα με χαμηλότερη ταχύτητα. Εάν χρειάζεται, μεταβείτε σε υψηλότερη ταχύτητα ή στην Παλμική λειτουργία, για να μην φρακάρουν οι λεπίδες(6).
3. Μην χρησιμοποιείτε το μηχανήμα για να αναμίξετε σκληρά τρόφιμα, όπως καρύδια.
4. Μην γεμίζετε υγρά πάνω από την ένδειξη **MAX.** του δοχείου (7).
5. Τα υγρά που θα αναμειχθούν πρέπει να βρίσκονται σε θερμοκρασία περιβάλλοντος ή χαμηλότερη από αυτή. Εάν πρόκειται να αναμίξετε ζεστά υγρά, βεβαιωθείτε ότι το καπάκι του δοχείου(8) είναι σωστά τοποθετημένο και χρησιμοποιήστε χαμηλή ταχύτητα για επεξεργασία. Προσοχή, Κίνδυνος εγκαυμάτων.
6. Αποφύγετε μεγάλα διαστήματα λειτουργίας επειδή ο δυνατός θόρυβος μπορεί να βλάψει την ακοή.



## Καθαρισμός και συντήρηση

**Προσοχή:** Αποσυνδέετε πάντα τη συσκευή από την πρίζα και αφήστε την να κρυώσει εντελώς πριν από τον καθαρισμό, τη συντήρηση, την επισκευή και την αποθήκευση.

### Καθαρισμός

- Καθαρίστε το μηχάνημα και το δοχείο μετά από κάθε χρήση και βεβαιωθείτε ότι έχουν αφαιρεθεί όλα τα υπολείμματα τροφίμων.
- Μην βυθίζετε τη συσκευή σε νερό ή άλλα υγρά.
- Καθαρίστε την επιφάνεια με ελαφρά υγρό πανί ή σφουγγαράκι με ήπιο διάλυμα σαπουνιού.
- Μην χρησιμοποιείτε ποτέ λειαντικά σφουγγάρια, απορρυπαντικά, συμράτινα σφουγγαράκια ή μεταλλικά σκεύη για να καθαρίσετε τα εσωτερικά ή τα εξωτερικά μέρη της συσκευής.
- ΜΗΝ πλένετε το μηχάνημα με νερό ή με πιδάκα νερού. Το πλύσιμο με νερό μπορεί να προκαλέσει διαρροή και να αυξήσει τον κίνδυνο ηλεκτροπληξίας.
- Κανένα εξάρτημα δεν είναι κατάλληλο για πλυτήριο πιάτων.

### Προτεινόμενη διαδικασία καθαρισμού:

Εξαρτήματα	Πώς γίνεται ο καθαρισμός	Συχνότητα
Μονάδα κινητήρα (5)	- Μην βυθίζετε αυτό το εξάρτημα σε νερό ή άλλα υγρά. - Χρησιμοποιήστε ένα υγρό πανί με απορρυπαντικό και νερό, ξεπλύνετε, καθαρίστε και στεγνώστε καλά.	Καθαρίζετε μετά από κάθε χρήση
Δοχείο, καπάκι και κάλυμμα	- Καθαρίστε το με λίγο νερό και απαλό απορρυπαντικό. - Στη συνέχεια, ξεπλύνετε κάτω από τρεχούμενο νερό. - Στεγνώστε όλα τα εξαρτήματα πριν τα χρησιμοποιήσετε ξανά.	Καθαρίζετε μετά από κάθε χρήση
Συναρμολόγηση λεπίδας (8)	- Προειδοποίηση! Κίνδυνος τραυματισμού! Προσέχετε ιδιαίτερα κατά τον καθαρισμό των λεπίδων. - Καθαρίστε το με λίγο νερό και απαλό απορρυπαντικό. - Στεγνώστε όλα τα εξαρτήματα πριν τα χρησιμοποιήσετε ξανά.	Καθαρίζετε μετά από κάθε χρήση

### Αποθήκευση

- Πριν την αποθήκευση, βεβαιωθείτε ότι η συσκευή έχει αποσυνδεθεί από την πρίζα και ότι έχει κρυώσει εντελώς.
- Αποθηκεύστε τη συσκευή σε δροσερό, καθαρό και στεγνό μέρος.



## Αντιμετώπιση προβλημάτων

Αν η συσκευή δεν λειτουργεί σωστά, συμβουλευτείτε τον παρακάτω πίνακα για πιθανές λύσεις. Αν συνεχίσετε να μην μπορείτε να επιλύσετε το πρόβλημα, επικοινωνήστε με τον προμηθευτή/πάροχο σέρβις.

Προβλήματα	Πιθανές αιτίες	Πιθανές λύσεις
Το μπλάνημα δεν ξεκινάει	Το προστατευτικό κάλυμμα (10) δεν έχει κλείσει καλά.	Ελέγξτε και σιγουρευτείτε ότι το προστατευτικό κάλυμμα (10) έχει κλείσει σωστά.
	Το δοχείο (7) δεν έχει τοποθετηθεί σωστά.	Ελέγξτε για να βεβαιωθείτε ότι το δοχείο (7) έχει τοποθετηθεί σωστά.
	Ο διακόπτης τροφοδοσίας (1) δεν έχει πατηθεί	Πατήστε το διακόπτη τροφοδοσίας (1)
Το μπλάνημα σταματά κατά τη λειτουργία	Ενεργοποιήθηκε ο ενσωματωμένος μηχανισμός ασφαλείας υπερφόρτωσης.	- ΣΒΗΣΤΕ το μπλάνημα γυρίζοντας το διακόπτη (1) στη θέση "0" και αποσυνδέστε το μπλάνημα από την πρίζα. - Αφήστε το μπλάνημα να κρυώσει για περίπου 30 λεπτά και ξεκινήστε ξανά.

**Εάν έχετε αμφιβολίες, να επικοινωνείτε πάντα με τον προμηθευτή σας!**

### Τεχνικές προδιαγραφές

Αριθ. στοιχείου.: 230688, 230602

Τάση και συχνότητα λειτουργίας: 220-240V~ 50/60Hz

Ονομαστική ισχύς εισόδου: 1,680W

Κατηγορία προστασίας: κατηγορία I

Κλάση προστασίας νερού: IP23

Μέγιστη χωρητικότητα: 2,5L

Διαστάσεις: 252x258x(Y)547mm

Καθαρό βάρος: περίπου 9,7kg

Επίπεδο θορύβου: < 85dB(A)

Ταχύτητα περιστροφής χωρίς φορτίο (σαλ):

- Ελάχιστο: 16,000 +/- 10%

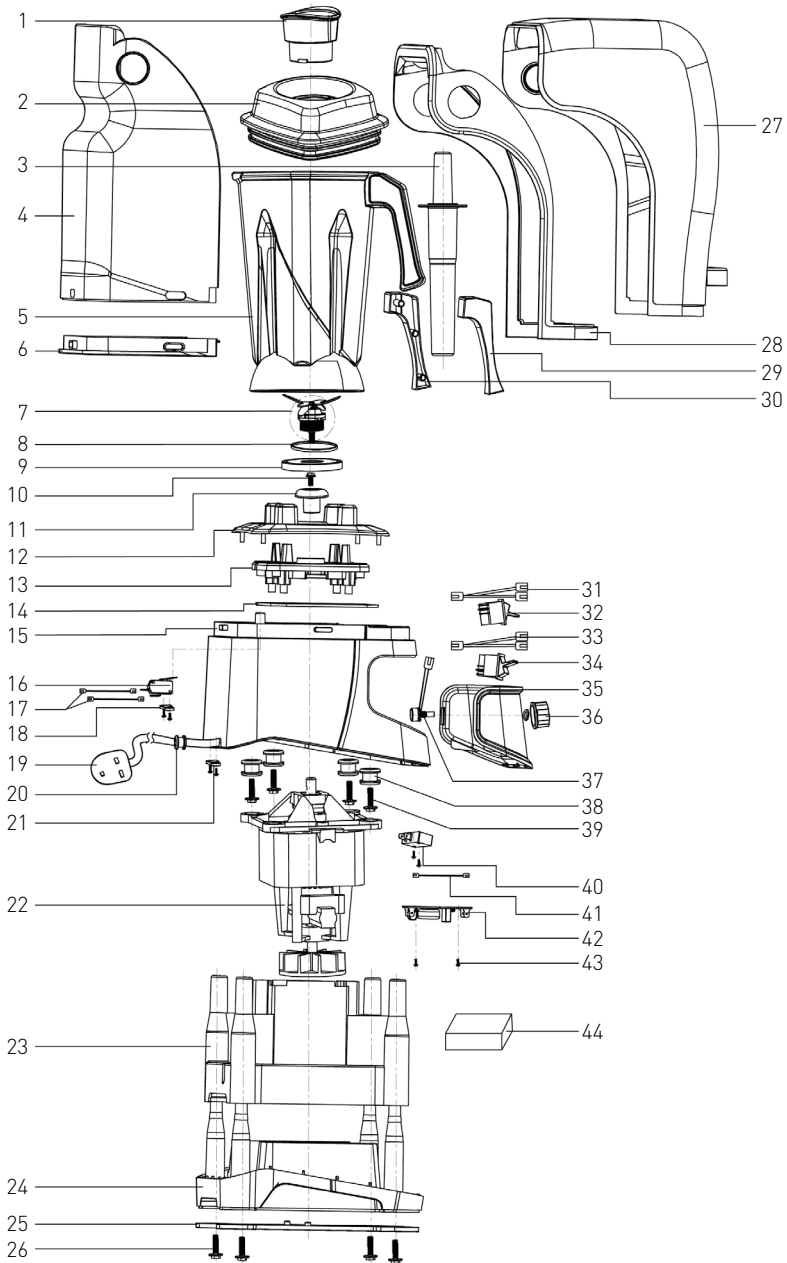
- Μέγιστο: 24,800 +/- 10%

Υλικό κανάτας: Tritan (230602), PC (230688)

**Σημείωση: Οι τεχνικές προδιαγραφές μπορούν να αλλάξουν χωρίς προειδοποίηση.**



# Αναπτυγμένο σχέδιο μηχανήματος

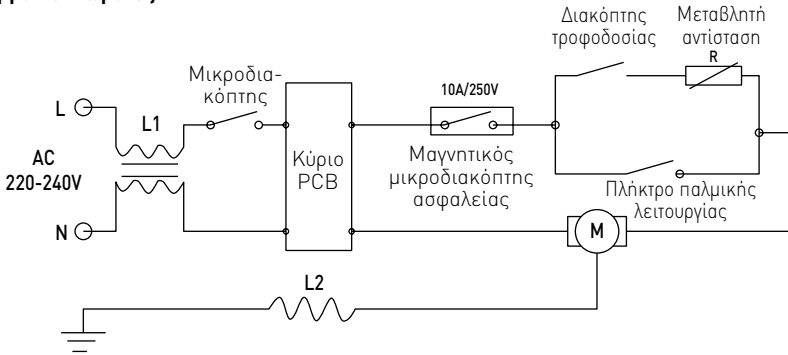


GR

## Λίστα εξαρτημάτων μηχανήματος

Αρ. εξαρτήματος	Όνομα εξαρτήματος	Ποσότητα	Αρ. εξαρτήματος	Όνομα εξαρτήματος	Ποσότητα
1	Κάλυμμα καπακιού	1	23	Εσωτερικό περίβλημα κινητήρα	1
2	Καπάκι δοχείου	1	24	Κάτω περίβλημα	1
3	Υποδοχή σφράγισης (δεν παρέχονται)	1	25	Κάτω πλάκα	1
4	Προστατευτικό κάλυμμα (πίσω)	1	26	Βίδα σύσφιξης	4
5	Δοχείο	1	27	Προστατευτικό κάλυμμα (μπροστά)	1
6	Ελαστική σφράγιση προστατευτικού καλύμματος (πίσω)	1	28	Προστατευτικό κάλυμμα (εσωτερικό)	1
7	Διάταξη λεπίδων	1	29	Λαβή δοχείου αριστερό κάλυμμα	1
8	Δακτύλιος στεγανοποίησης διάταξης λεπίδων	1	30	Λαβή δοχείου δεξιά κάλυμμα	1
9	Μεγάλος δακτύλιος στεγανοποίησης	1	31	Εσωτερικό θερματικό καλωδίου πλήκτρου παλμικής λειτουργίας	1
10	Βίδα στερέωσης	1	32	Πλήκτρο παλμικής λειτουργίας	1
11	Συμπλέκτης	1	33	Εσωτερικό θερματικό καλωδίου διακόπτη τροφοδοσίας	1
12	Βάση δοχείου	1	34	Διακόπτης τροφοδοσίας	1
13	Υποστήριξης βάσης δοχείου	1	35	Κάλυμμα πίνακα ελέγχου	1
14	Κάλυμμα ελαστικής στεγανοποίησης	1	36	Επιλογέα ταχύτητας	1
15	Εξωτερικό περίβλημα κινητήρα	1	37	Εσωτερικό θερματικό καλωδίου επιλογέα ταχύτητας	1
16	Διάταξη μικροδιακόπτη ασφαλείας	1	38	Αντικραδασμικοί αποσβεστήρες	4
17	Εσωτερικό θερματικό καλωδίου μικροδιακόπτη ασφαλείας	1	39	Βίδες στερέωσης αντικραδασμικών αποσβεστήρων	4
18	Βίδες στερέωσης μικροδιακόπτη	2	40	Διάταξη μαγνητικού μικροδιακόπτη	1
19	Φις	1	41	Εσωτερικό θερματικό καλωδίου μαγνητικού διακόπτη	1
20	Καλώδιο τροφοδοσίας	1	42	Διάταξη PCB	1
21	Σφιγκτήρας καλωδίου τροφοδοσίας	1	43	Βίδες στερέωσης PCB	4
22	Διάταξη κινητήρα	1	44	Βαμβάκι απορρόφησης ήχου	1

## Διάγραμμα κυκλώματος



## Εγγύηση

Οποιοδήποτε ελάττωμα επηρεάζει τη λειτουργικότητα της συσκευής που γίνεται προφανές δύο χρόνια μετά την αγορά της, θα διορθώνεται με δωρεάν επισκευή ή αντικατάσταση, αρκεί η συσκευή να έχει χρησιμοποιηθεί και συντηρηθεί σύμφωνα με τις οδηγίες και να μην έχει γίνει κατάχρηση ή λανθασμένη χρήση της με οποιονδήποτε τρόπο. Δε θίγονται τα νόμιμα δικαιώματά σας. Εάν η συσκευή υποστηρίζεται

από εγγύηση, δηλώστε πού και πότε έχει αγοραστεί και συμπεριλάβετε την απόδειξη αγοράς (π.χ. απόδειξη λιανικής πώλησης).

Σύμφωνα με την πολιτική μας για τη συνεχή εξέλιξη των προϊόντων μας, διατηρούμε το δικαίωμα να αλλάξουμε το προϊόν, τη συσκευασία και τη προδιαγραφές τεκμηρίωσής του χωρίς προειδοποίηση.

## Απόρριψη & Περιβάλλον

Η συσκευή, μετά το πέρας της διάρκειας ζωής της, δεν πρέπει να απορρίπτεται ως οικιακό απόρριμμα. Πρέπει να απορρίπτεται, με δική σας ευθύνη, σε καθορισμένο σημείο συλλογής. Η μη τήρηση αυτού ενδέχεται να τιμωρείται σύμφωνα με τους ισχύοντες κανονισμούς για τη διάθεση των απορριμμάτων. Η χωριστή συλλογή και ανακύκλωση αυτής της συσκευής κατά τη στιγμή της απόρριψης βοηθά στη διατήρηση των φυσικών πόρων και

εξασφαλίζει την ανακύκλωσή της με τρόπο που προστατεύει την ανθρώπινη υγεία και το περιβάλλον. Για περισσότερες πληροφορίες σχετικά με το πού μπορείτε να απορρίψετε τη συσκευή για ανακύκλωση, επικοινωνήστε με την τοπική εταιρεία συλλογής απορριμμάτων. Οι κατασκευαστές και οι εισαγωγείς δεν αναλαμβάνουν την ευθύνη ανακύκλωσης, επεξεργασίας και οικολογικής διάθεσης, είτε άμεσα είτε μέσω δημόσιου συστήματος.

ΣΕΡΒΙΣ ΕΛΛΑΔΟΣ:

Τηλ.: 213 0 998989 (10 γραμμές)

info@pks-hendi.com

GR





Tools for Chefs

#### **Hendi B.V.**

Innovatielaan 6  
6745 XW De Klomp, The Netherlands  
**Tel:** +31 317 681 040  
**Email:** info@hendi.eu

#### **PKS Hendi South East Europe SA**

5 Metsovou Str.  
18346 Moschato, Athens, Greece  
**Tel:** +30 210 4839700  
**Email:** info@pks-hendi.com

#### **Hendi Polska Sp. z o.o.**

ul. Firmowa 12  
62-023 Robakowo, Poland  
**Tel:** +48 61 658 7000  
**Email:** info@hendi.pl

#### **Hendi Italia S.R.L.**

Via Leonardo da Vinci 4  
39100 Bolzano (BZ), Italy  
**Tel:** +39 800 727 438  
**Email:** office.italy@hendi.eu

#### **Hendi Food Service Equipment GmbH**

Ehring 15  
5112 Lamprechtshausen, Austria  
**Tel:** +43 6274 200 10 0  
**Email:** office.austria@hendi.eu

#### **Hendi HK Ltd.**

1208, 12/F Exchange Tower  
33 Wang Chiu Road, Kowloon Bay, Hong Kong  
**Tel:** +852 2154 2618  
**Email:** info-hk@hendi.eu

#### **Hendi Food Service Equipment Romania S.R.L.**

Str. 13 decembrie 94A, Hala 14  
Braşov, 500164, Romania  
**Tel:** +40 268 320330  
**Email:** office@hendi.ro

#### **Find Hendi on internet:**

[www.hendi.eu](http://www.hendi.eu)  
[www.facebook.com/HendiToolsforChefs](https://www.facebook.com/HendiToolsforChefs)  
[www.linkedin.com/company/hendi-food-service-equipment-b.v.](https://www.linkedin.com/company/hendi-food-service-equipment-b.v.)  
[www.youtube.com/HendiEquipment](https://www.youtube.com/HendiEquipment)

- Changes, printing and typesetting errors reserved.
- Änderungen und Druckfehler vorbehalten.
- Wijzigingen en drukfouten voorbehouden.
- Producent zastrzega sobie prawo do zmian oraz błędów drukarskich w instrukcji.
- Variations et fautes d'impression réservés.

- Errori di cambiamenti, di stampa e di impaginazione riservati.
- Drepturi rezervate cu privire la modificări și greșeli de imprimare.
- Изменения, печати и верстки ошибок защищены.
- Με επιφύλαξη αλλαγών, λαθών εκτύπωσης και στοιχειοθεσίας.