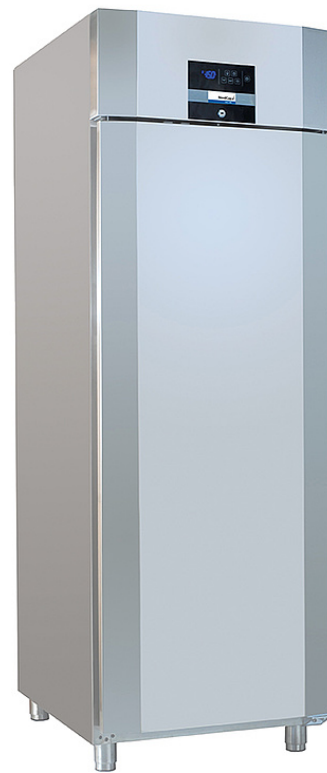


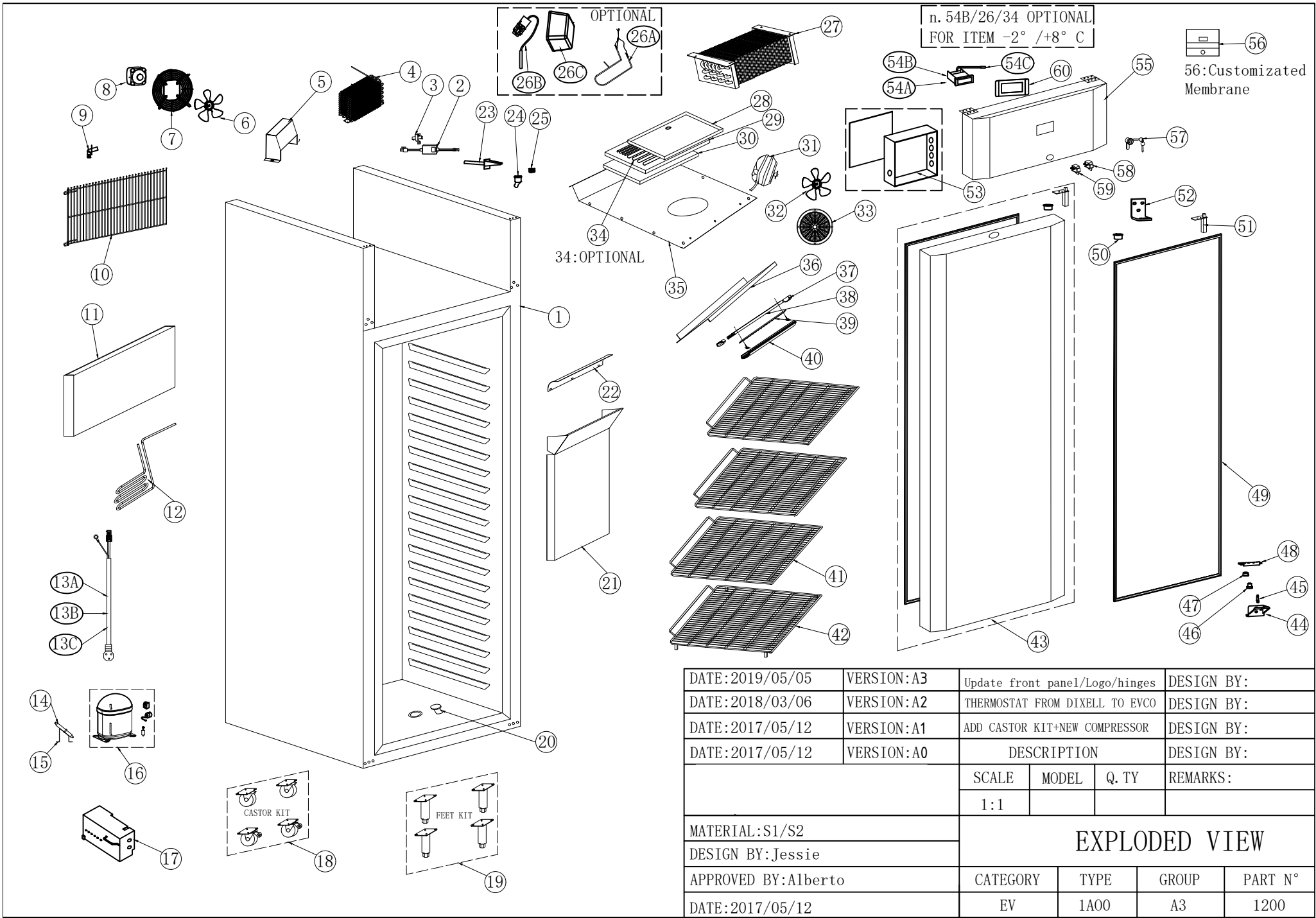
Spare-Parts List and Exploded View

(Ersatzteilliste-Explosionszeichnung)

COOL-LINE Umluft-Gewerbekühlschrank **KU 710 GL-PLUS**

[Art. 451550100]





DATE:2019/05/05	VERSION:A3	Update front panel/Logo/hinges		DESIGN BY:	
DATE:2018/03/06	VERSION:A2	THERMOSTAT FROM DIXELL TO EVCO		DESIGN BY:	
DATE:2017/05/12	VERSION:A1	ADD CASTOR KIT+NEW COMPRESSOR		DESIGN BY:	
DATE:2017/05/12	VERSION:A0	DESCRIPTION		DESIGN BY:	
		SCALE	MODEL	Q. TY	
		1:1			
MATERIAL:S1/S2		EXPLODED VIEW			
DESIGN BY:Jessie					
APPROVED BY:Alberto		CATEGORY	TYPE	GROUP	PART N°
DATE:2017/05/12		EV	1A00	A3	1200

Item Description

KU 710 GL-PLUS

BOM Number

1

Build Quantity

1

Fixed Cost

0

Remark

Unit pc

BOM Components

Lev. 0	Item Number	Descr	Quantity	u.m.	Spare Part
	EV1AO0A31200	CR 7 - EXPLODED VIEW DRAWING (Ver.A3 - S12)	1	pc	1
1	S11AO00A0001	CR 7/QR 7 - ASSEMBLED FOAMED BODY	1	pc	1
2	E26I30120080	POWER SUPPLY MEANWELL APV-8-12 (12V -8W)	1	pc	1
3	Z01AF23A0002	RNG 50/CR 7/CN 7/QR 7/QN 7/BBC 186 - LIGHT TRANSF. HOLDER	1	pc	1
4	C01AO08A0001	CR/QR 7 - CR/QR 14 - CONDENSER - (S12)	1	pc	1
5	S11AO08A0002	CR 7/CN 7/QR 7/QN 7 - SAFETY COVER FOR CONDENSER	1	pc	1
6	E181A1722201	EBMPAPTS FAN BLADE D.172mm-22*	1	pc	1
7	E192A2003800	FAN DIAGONAL GUARD GRILLE FOR BLADE D.200mm D.INT=212;W=38mm	1	pc	1
8	E17D1C120000	ECM C12-10-02 ELCO FAN: 230V ;50/60Hz; CABLE LENGHT 300mm	1	pc	1
9	P01AO00A0002	CR/CN 7 - CR/CN 14 - EVAPORATOR TRAY DRAINAGE PIPE - (S12)	1	pc	1
10	I01AO09A0003	CR 7/QR 7 - UPPER REAR ENGINE ROOM SAFETY GRID(Gray Col.)	1	pc	1
11	S21AO00A0003	CR 7/CN 7 - REAR S/S WATER TRAY for CONDENSATION - (S12)	1	pc	1
12	C01AO06A0001	CR 7 - REAR EVAPORATION PIPE - (S12)	1	pc	1
13A	E25EUB310300	POWER CORD 3x1 mmq - EU PLUG - BLACK COLOR 3,0 Mt.	1	pc	1
13B	E25UKB310300	POWER CORD 3x1 mmq - UK PLUG - BLACK COLOR 3,0 Mt.	1	pc	1
13C	E25AUB315300	POWER CORD 3x1,5 mmq - AUSTRALIAN PLUG - BLACK COLOR 3.0 Mt.	1	pc	1
14	C01AE66A0001	400-600 ABS Ser./CR Salad./CR-CN 7/14 Ser-DRIER FILTER (S12)	1	pc	1
15	Z01AO03A0001	CR/CN 7 - CR/CN 14 - SUPPORT FOR DRIER FILTER - (S12)	1	pc	1
16	E27J6F5E0000	VESA11C EMBRACO COMP. R600a - 230V 40/150Hz-1/5 HP BPM:	1	pc	1
17	E43J6F5E0000	INVERTER FOR COMPRESSOR VESA11C (Type: VES 2456030 F 00)	1	pc	1
18	KITCS1AO0A00	CR 7/CR Counter - N.4 CASTOR KIT (N.2 NORMAL+N.2 WITH BRAKE)	1	pc	1
19	KITFT1AO0A00	QR_ GN Counter - FEET KIT(N.4 pc Min.140/Max160mm)	1	pc	1
20	P01AO00A0004	CR 7/CR 14 - CAP FOR DRAINAGE HOLE ON BOTTOM PLATE - (S12)	1	pc	1
21	S21AO00A0005	CR 7/CN 7/QR 7/QN 7 -INNER AIR CONVEYOUR EVA.FAN(Bigger)-ST2	1	pc	1
22	S21AO00A0006	CR 7/CN 7/QR 7/QN 7 -INNER AIR CONVEYOUR EVA.FAN(Smaller)-ST2	1	pc	1
23	P01AO00A0009	CR/CN 7 - CR/CN 14 - CONNECT PIPE + HOLE COVER - (S12)	1	pc	1
24	P01AO00A0008	CR/CN 7 - CR/CN 14 - DRAIN PIPE - (S12)	1	pc	1
25	R01AO00A0007	CR/CN 7 - CR/CN 14 - DRAIN PIPE PIPE SCREW CAP- (S12)	1	pc	1
26A	C01AO06A0002	CR 7 - CR 14 -HEATING ELEM.(215W-D.6,6mmq-N.2 Protector 77C)	1	pc	1
26B	E45NC35000002	CLIXON TCO (WY350A-C) - 250VAC/16A - 350°C - No Shaft	1	pc	1

26C	Z01CG13A0002	QR/CR Series Cabinet - HOLDER FOR "TCO" CLIXON - (S12)	1	pc	1
27	C01AO07A0001	CR 7/QR 7 - EVAPORATOR (Anti-corrosion DL60501512 - S12)	1	pc	1
28	S21AO00A0010	CR/CN 7 - QR/QN 7 - QN 14 - EVAPORATOR WATER TRAY-ST2	1	pc	1
29	S21AO00A0011	CR/CN 7 - QR/QN 7 - QN 14 - EVAPORATOR WATER TRAY BAFFLE-ST2	1	pc	1
30	P11AO00A0012	CR/CN 7 - QR/QN 7 - QN 14 - INSULATION FOAMING EVAP. TRAY	1	pc	1
31	E17A6A110601	iQC3608-040105/A01 EBM FAN:2220-240V,50/60Hz	1	pc	1
32	E181A1722201	EBMPAPTS FAN BLADE D.172mm-22*	1	pc	1
33	P01AO00A0013	CR/CN 7 - CR/CN 14 - EVAPORATOR FAN SAFETY GRID - (S12)	1	pc	1
34	E24200088500	HEATING WIRE D.1x2,2mmq-L.8420mm-8W/Mt.	1	pc	1
35	S21AO00A0014	CR 7/CN 7/QR 7/QN 7 - INNER EVAPORATOR BAFFLE	1	pc	1
36	S21AO00A0015	CR 7/CN 7/QR 7/QN 7 - EVAPORATOR COVER PLATE	1	pc	1
37	P01AO00A0016	CR/CN 7 - CR/CN 14 - LIGHT TERMINAL STOPPER - (S12)	2	pc	1
38	S21AO00A0017	CR/CN 7 - CR/CN 14 - GROOVE FOR LED LIGHT - (S12)	1	pc	1
39	E22AL0020045	LED STRIPES LAMP-12VDC 1,92W-N.24 HIGH BRIGHT	1	pc	1
40	P01AO00A0018	CR/CN 7 - CR/CN 14 - COVER FOR LED LIGHT - (S12)	1	pc	1
41	I01AO09A0001	CR/CN 7 - GN2/1 UPPER/MIDDLE SHELF (650x534/Solid-S12)	3	pc	1
42	I01AO09A0002	CR/CN 7 - CR/CN 14 - BOTTOM SHELF(640x630mm/Solid door- S12)	1	pc	1
43	S11AO02A0001	CR/CN 7-CR/CN 14-DOOR SET(Inc. Gasket+Self Closing+Pin+Cap)	1	pc	1
44	A01AO02A0004	CR /CN 7 - CR/CN 14 - BOTTOM HINGE (Model SOLID DOOR)-S12	1	pc	1
45	Z01AE62A0005	RC/RN 400/600-CR/CN 7-14-PIVOT BOTTOM/UPPER RIGHT HINGE-(S12)	1	pc	1
46	Z01AE62A0010	RC/RN 400/600-CR/CN 7-14 - BOTTOM TURN AXIS REINFORC.-(S12)	1	pc	1
47	N01AE62A0009	RC/RN 400/600-CR/CN 7-14 - NYLON UP SLIP COVER (White-S12)	1	pc	1
48	Z01AE62A0012	RC/RN 400/600-CR/CN 7-14 - DOWN TURN AXIS - (S12)	1	pc	1
49	R01AO02A0002	CR/CN 7 - CR/CN14 - SOLID DOOR GASKET (3 Room-S12)	1	pc	1
50	N01AO02A0006	CR/CN 7 - CR/CN 14 - INSERT FOR SOLID DOOR LOCK-(S12)	2	pc	1
51	Z01AE62A0006	RC/RN 400/600 - CR/CN 7-CR/CN 14-SELF CLOSING SPRING-(S12)	1	pc	1
52	A01AO02A0003	CR /CN 7 - CR/CN 14 - UPPER HINGE - (S12)	1	pc	1
53	P01AO01A0005	CR/CN 7 - CR/CN 14 - BOX + COVER FOR THERMOSTAT - (S12)	1	pc	1
54A	E20A111C5E00	EV3B21N7VXBB01 EVCO THERMOSTAT (RWE) CHILLER	1	pc	1
54B	E20A113F5E01	EV3B23N7VXBB01 EVCO THERMOSTAT (RWE) FREEZER	1	pc	1
54C	E212AA030B01	NTC PROBE - CABLE 3000 mm BLACK Color (Temperature)	2	pc	1
55	S11AO01A0010	CR/CN 7 - FRONT PANEL (Evco-Incl.hinges - NO Main hole-S12)	1	pc	1
56	P01AO01A000Y	CR/CN 7 - CUSTOMIZATED Sticker(SOLID Door/No Main/WITH LOCK)	1	pc	1
57	Z01AO01A0006	CR/CN 7-14 - QR/QN 7/14 - SOLID DOOR LOCK+N.2 Keys - (S12)	1	pc	1
58	E2309WH00001	HF-D02-1A-1 DOOR SWITCH (2P) 250VAC-4A; CONTACT NC	1	pc	1
59	E2309WH00003	HF-D02-1A-3 DOOR SWITCH (3P) 250VAC-4A; CONTACT NO/NC	1	pc	1
60	S11AO01A0002	CR/CN 7-14 - FIXED BRACKET FOR EVCO THERMOSTAT	1	pc	1