

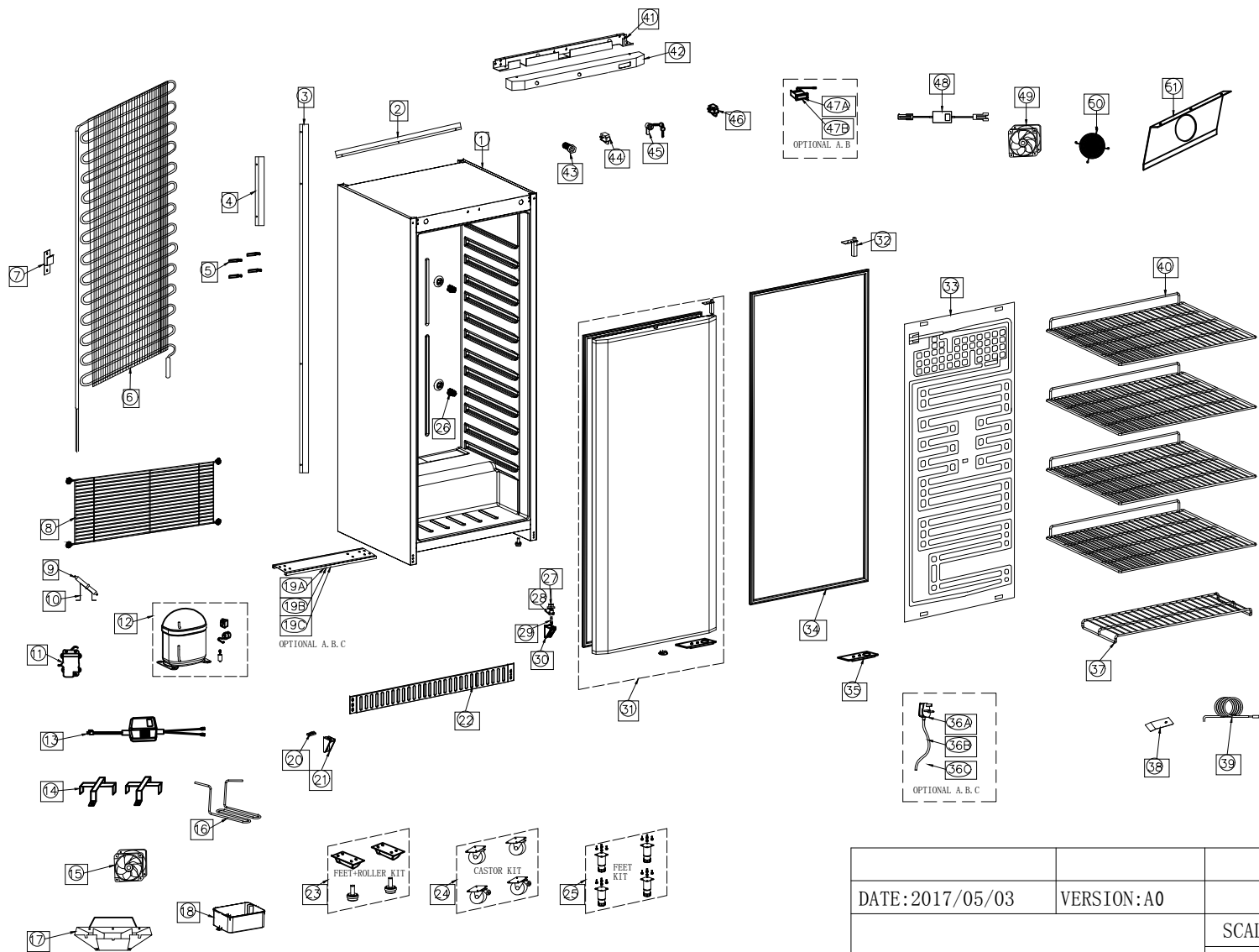
Spare-Parts List and Exploded View

(Ersatzteilliste-Explosionszeichnung)

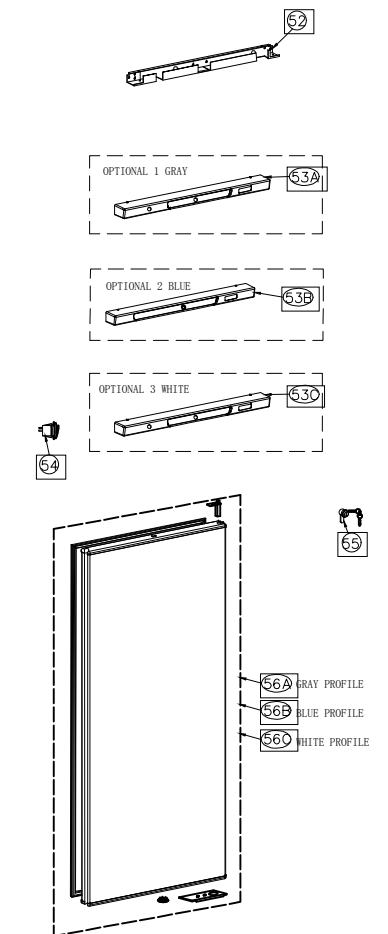
COOL-LINE Umluft-Gewerbekühlschrank RC 600 GL

[Art. 451600500]





ALTERNATIVE DESIGN



DATE:2017/05/03	VERSION:A0	DESCRIPTION			DESIGN BY:
		SCALE	MODEL	Q. TY	REMARKS:
		1:1			
MATERIAL:S4		EXPLODED VIEW			
DESIGN BY:Jessie					
APPROVED BY:Alberto		CATEGORY	TYPE	GROUP	PART N°
DATE:2017/05/03		EV	1AR6	A0	1200

Item Description

RC 600 GL

BOM Number

1

Build Quantity

1

Fixed Cost

0

Remark

Unit pc

BOM Components

Lev. 0	Item Number	Descr	Quantity	u.m.	Spare Part
	EV1AR6A01200	CR/CRX 6 - EXPLODED VIEW DRAW.(Ver.A0 - S12)	1	pc	1
1	S41AR60A0001	CR 6-STELL PAINTED FOAMED ASSEMBLY BODY (White Color - S12)	1	pc	1
2	P01AE60A0002	RC 600-HORIZONTAL WIRE COVER	1	pc	1
3	P01AE60A0003	RC 600-LONG VERTICAL WIRE COVER	1	pc	1
4	P01AE60A0004	RC 600-SHORT VERTICAL WIRE COVER	1	pc	1
5	P01AQ28A0002	CR/CN 2-4-6 Series - REAR CONDENSER SPACER - (S12)	4	pc	1
6	I01AR68A0001	CR 6/CRX 6 - WIRE CONDENSER - (S12)	1	pc	1
7	P01AE60A0005	RC 600/CR 7 Series - DISTANCE HOLDER - (S12)	2	pc	1
8	I01AR69A0003	CR 6/CRX 6 - REAR ENGINE ROOM GRID (White Color-S12)	1	pc	1
9	C01AE66A0001	400-600 ABS Ser./CR Salad./CR-CN 7/14 Ser-DRIER FILTER (S12)	1	pc	1
10	Z01AE63A0002	RC 600-DRIER FILTER HOLDER	1	pc	1
11	P01AQ20A0002	CR/CN 2 - CR4/6 Ser. - BBCx86 - WIRING JUNCTION BOX-(S12)	1	pc	1
12	E27B6B2Z0001	HXL170A COMP.ZEL/ACC R600a-220/240V 50Hz-1/8 HP-RSCR:	1	pc	1
13	E26B20120031	AC/DC ADAPTER MOD.HYD-1200300EU - (Male Connector)	1	pc	1
14	Z01AF03A0003	RN/RNX 600B - BBC 286 - TRANSFOMER HOLDER (For item in R290)	2	pc	1
15	E1711A027000	RDM1225B:12Vdc,0,23A, 2,76W - Wire Lenght 300mm	1	pc	1
16	C01AE66A0002	RC 600-CONNECTING PIPE	1	pc	1
17	P01AR63A0002	CR/CN 6 - CR/CN4 - ABS CONDENSER FAN CONVEYOUR (Gray - S12)	1	pc	1
18	P01AE63A0004	RC 600/RC 400/Saladette CR Series/BBC 386 - WATER TRAY-(S12)	1	pc	1
19A	Z01AE63A0001	RC 600-ENGINE PLATE (For Roller and Feet kit)	1	pc	1
19B	Z01AE63A0005	RC 600-ENGINE PLATE (For Castor Kit)	1	pc	1
19C	Z01AE63A0006	RC 600/RCX 600 - ENGINE PLATE (For S/S Feet Kit)	1	pc	1
20	N01AE62A0007	RC 400/600-RN 400/600 - DOOR PULLEY ON LEFT BOTTOM HINGE	1	pc	1
21	A01AE62A0003	RC 400/600-RN 400/600 - BOTTOM LEFT HINGE (Aluminium Color)	1	pc	1
22	S41AE60A0008	RC 600/RN 600-BOTTOM FRONT PANEL (Gray Color)	1	pc	1
23	KITFT1AE6A00	RC/RN 600-CR/CRX 4-FEET andROLLERS KIT(N.2 FOOT+N.2 ROLLERS)	1	pc	1
24	KITCS1AE6A00	RC 400 / RC 600 - N.4 CASTOR KIT (N.2 NORMAL+N.2 WITH BRAKE)	1	pc	1
25	KITFT1AE6B00	RC/RN 400/600 - S/S FEET KIT FOR ABS CABINET (N.4 PCS)	1	pc	1
26	P01AE60A0006	RC 600/RC 400 - SUPPORT FOR ROLL BOND EVAPORATOR	5	pc	1
27	N01AE62A0009	RC/RN 400/600-CR/CN 7-14 - NYLON UP SLIP COVER (White-S12)	1	pc	1

28	Z01AE62A0012	RC/RN 400/600-CR/CN 7-14 - DOWN TURN AXIS - (S12)	1	pc	1
29	Z01AE62A0005	RC/RN 400/600-CR/CN 7-14-PIVOT BOTTOM/UPPER RIGHT HINGE-(S12)	1	pc	1
30	A01AE62A0004	RC 400/600-RN 400/600 - BOTTOM RIGHT HINGE(Aluminium Color)	1	pc	1
31	S41AR62A0001	CR/CN 6-DOOR(Gasket+Self Closing+Cap+Axis Reinforce)Gray-S12	1	pc	1
32	Z01AE62A0006	RC/RN 400/600 - CR/CN 7-CR/CN 14-SELF CLOSING SPRING-(S12)	1	pc	1
33	A01AR67A0001	CR/CRX 6 - ROLL BOND EVAPORATOR+CAPILLARY (White Color-S12)	1	pc	1
34	R01AR62A0002	CR/CN 6-DOOR GASKET (N.3 room / WHITE Color - S12)	1	pc	1
35	Z01AE62A0010	RC/RN 400/600-CR/CN 7-14 - BOTTOM TURN AXIS REINFORC.-(S12)	1	pc	1
36A	E25EUG307525	POWER CORD 3x0.75 mmq - EU PLUG - GRAY COLOR 2,5 Mt.	1	pc	1
36B	E25EUK307525	POWER CORD 3x0,75 mmq - UK PLUG - BLACK COLOR 2.5 Mt	1	pc	1
36C	E25AUB307525	POWER CORD 3x0,75 mmq - AUSTRALIAN PLUG - BLACK COLOR 2,5 Mt	1	pc	1
37	I01AR69A0002	CR/CRX 6 - BOTTOM SHELF (Dim.530*200 mm-GAP 20mm)-S12	1	pc	1
38	P01AE60A0014	RC 400/RC 600 - INTERNAL PROBE HOLDER	1	pc	1
39	E21010300001	NTC PROBE - CABLE 3000 mm	1	pc	1
40	I01AR69A0001	CR/CRX 6-UPPER/MIDDLE SHELF (Dim.650*530 mm-GAP 10mm)-S12	4	pc	1
41	Z01AR61A0002	CR/CN 6 - UPPER SUPPORT FOR FRONT PANEL - (S12)	1	pc	1
42	P01AR61A0001	CR/CN 6-TOP PANEL GRAY Col.(HOLES: Main/Lock/Fan/Buzzer)-S12	1	pc	1
43	E2318BL00001	QN19-C MAIN SWITCH (3P)-BLUE Light-250V-5A/T55 1AE4 (D.19mm)	1	pc	1
44	E2309WH00002	HF-D02-1A-2B DOOR SWITCH (2P) 250VAC-4A; CONTACT NO	1	pc	1
45	Z01AQ22A0003	CR/CRG/CN 2-4-6 - DOOR LOCK + KEYS (Inc.RED Keys DL00017174)	1	pc	1
46	E2309WH00001	HF-D02-1A-1 DOOR SWITCH (2P) 250VAC-4A; CONTACT NC	1	pc	1
47A	E20A111C3D00	XR02CX-5R1C1 DIXELL BLULINE THERM.-LIDCGXB5AB (RWD)	1	pc	1
47B	E20A121C5E00	EV3B21N7VXR01 EVCO THERMOSTAT (RWE) CHILLER	1	pc	1
48	E26B20120031	AC/DC ADAPTER MOD.HYD-1200300EU - (Male Connector)	1	pc	1
49	E1711A013000	RDM8025B:12Vdc,0,11A,1,32W-Wire Lenght 300mm	1	pc	1
50	E192A0920500	FAN DIAGONAL GUARD GRILLE FOR FAN D.92 mm D.INT=82; W=5mm	1	pc	1
51	S41AR60A0002	CR/CRX 6 - EVAPORATOR FAN (Axial) SUPPORT (White color-S12)	1	pc	1
52	Z01AE61A0011	RC 600/RN 600-UPPER SUPPORT FOR WHITE TOP (1 DOOR SWITCH)	1	pc	1
53A	P01AE61A0002	RC/RN 600-TOP PANEL GREY COLOR(CHI DESIGN:DOOR SW+BUZZER)	1	pc	1
53B	P01AE61A0003	RC 600-TOP PANEL BLUE COLOR(LEC DESIGN: 1 DOOR SW)	1	pc	1
53C	P01AE61A0001	RC 600/RN 600-TOP PANEL(White-CHI DESIGN:1 DOOR SW+1 BUZZER)	1	pc	1
54	E2308GR00001	XCK-015-2-02 MAIN SWITCH (3P) 250VAC-6A;	1	pc	1
55	Z01AE61A0012	RC 400/600-RN 400/600-LOCK+N.2 KEY(Door alluminium prof.)	1	pc	1
56A	S41AE62A0013	RC/RN 600 -DOOR(Gasket+Self Closing+Cap+Down Axis)GRAY/All.	1	pc	1
56B	S41AE62A0014	RC/RN 600 -DOOR(Gasket+Self Closing+Cap+Down Axis)BLUE/All.	1	pc	1
56C	S41AE62A0001	RC/RN 600 -DOOR(Gasket+Self Closing+Cap+Down Axis)WHITE/All.	1	pc	1