

Ersatzteilliste-Explosionszeichnung

Infrarot-Ceranherd CH7 / 2HT

[Art. 406372024]

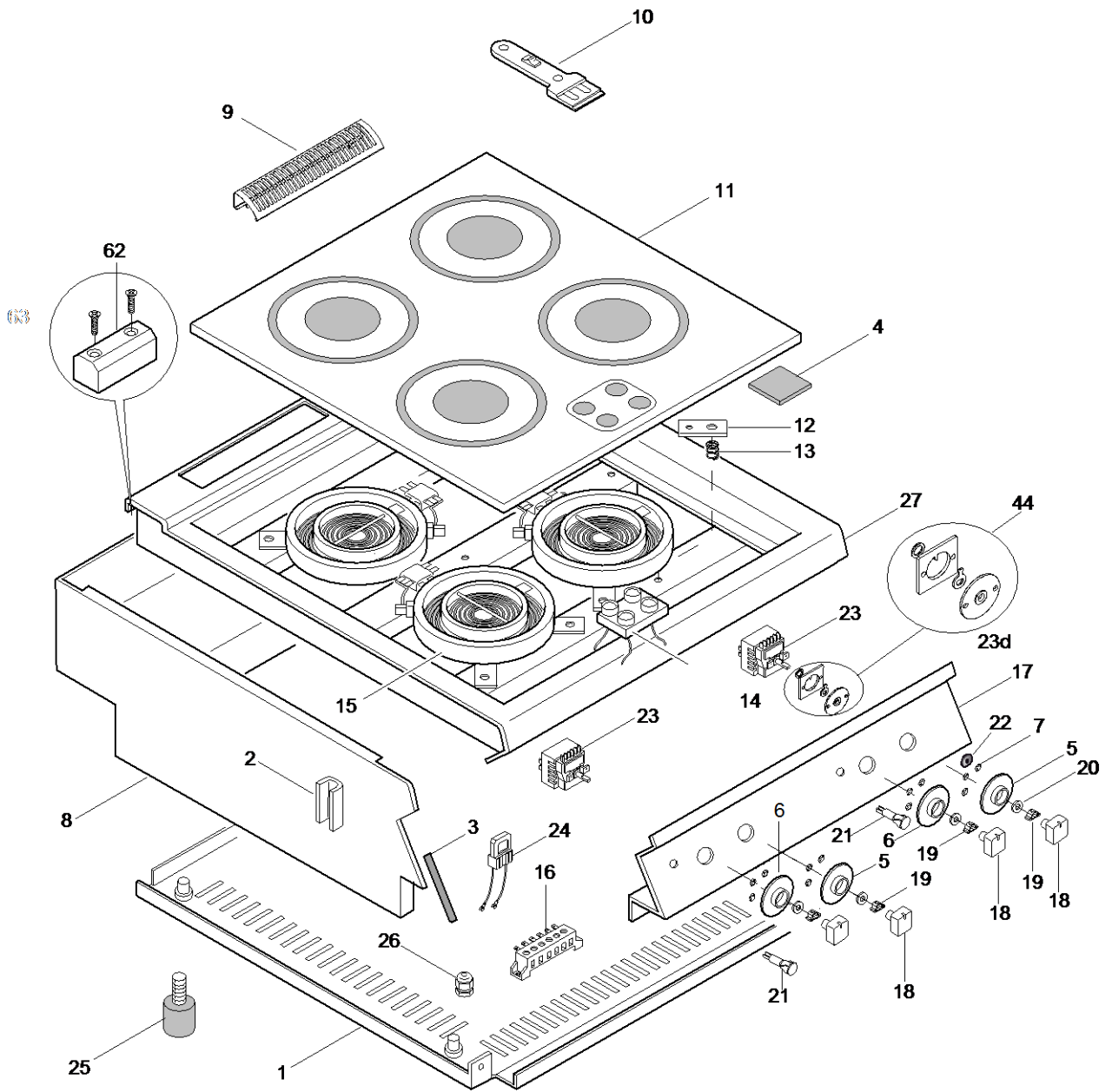


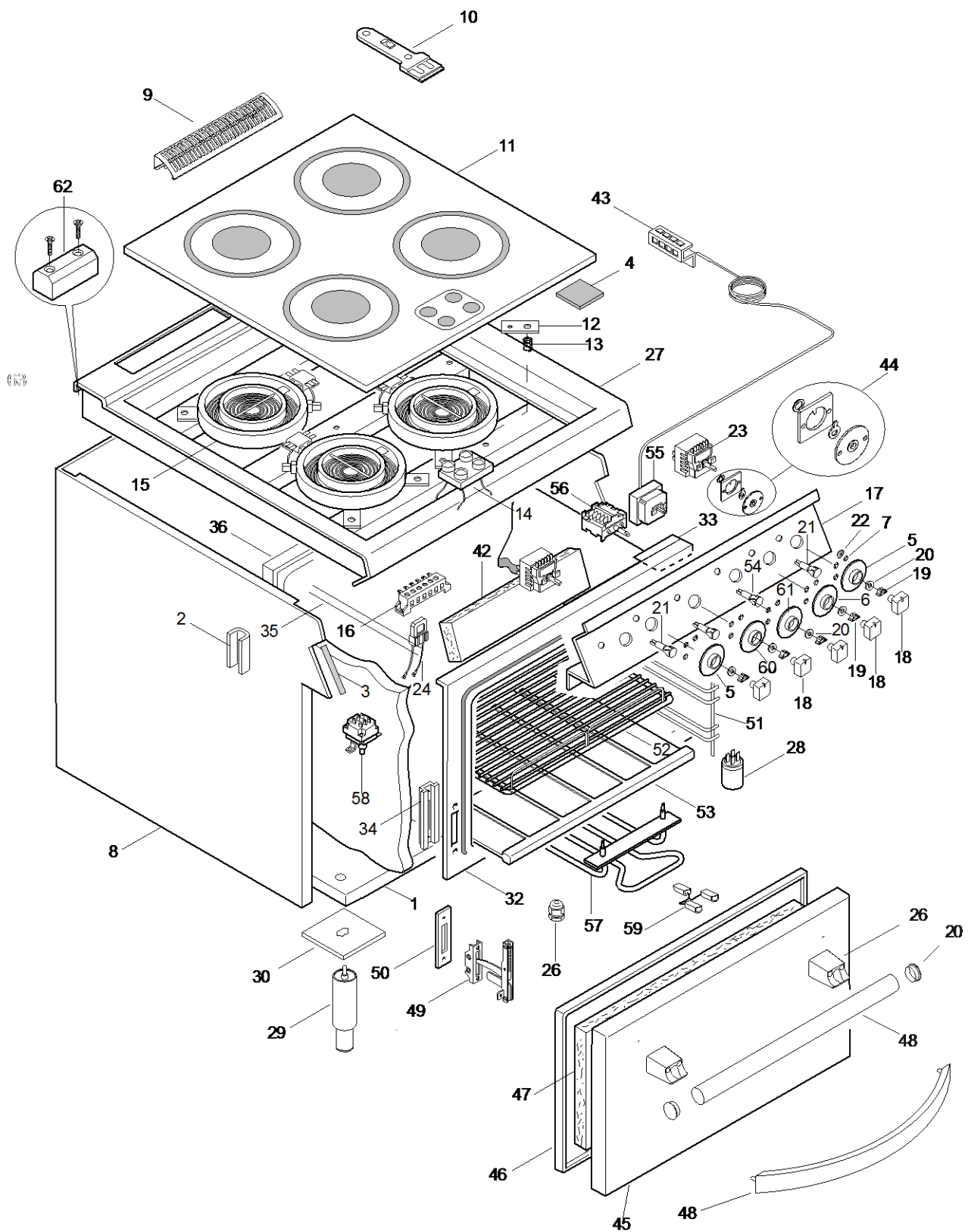
CUCINA INFRAROSSO E700XP
INFRARED COOKING E700XP

PNC	Model	Ref	Pag.	Brand	Version	Notes
371024	E7IRED2000	a	2-4	ELX		TOP 400 MM
371025	E7IREH4000	b	2-4	ELX		TOP 800 MM
371026	E7IREH40E0	c	2-4	ELX		RANGE+EL.OVEN 800 MM
371133	E7IRED200N	d	2-4	ELX		TOP 400 MM-230V
371134	E7IREH400N	e	2-4	ELX		TOP 800 MM-230V
372024	Z7IRED2000	f	2-4	ZAN		TOP 400 MM
372025	Z7IREH4000	g	2-4	ZAN		TOP 800 MM
372026	Z7IREH40E0	h	2-4	ZAN		RANGE+EL.OVEN 800 MM
372133	Z7IRED200N	i	2-4	ZAN		TOP 400 MM-230V
372134	Z7IREH400N	l	2-4	ZAN		TOP 800 MM-230V
373024	A7IRED2000	m	2-4	OEM		TOP 400 MM
373025	A7IREH4000	n	2-4	OEM		TOP 800 MM
373026	O7IREH40E0	o	2-4	OEM		RANGE+EL.OVEN 800 MM
373133	A7IRED200N	p	2-4	OEM		TOP 400 MM-230V
373134	A7IREH400N	q	2-4	OEM		TOP 800 MM-230V

Pag	Index	Indice	Note
2-4	General components	Componenti struttura	
5,6	Spare parts list	Lista ricambi	

Brand/Marchio: All
Factory code: 9PDX





**CUCINA INFRAROSSO E700XP
INFRARED COOKING E700XP**

Pos	Factory Code	Spare part Code	Descrizione	Description	Ref./Note
1	05038A1U00	*	FONDO PIANO 400	BOTTOM TOP 400 MM	TOP
1	05038A1V00	*	FONDO PIANO 800	BOTTOM TOP 800 MM	TOP
1	05038A2300	*	FONDO FORNO	BOTTOM OVEN 800 MM	OVEN
2	0527850500	0C0156	PIASTRA FISSAGGIO FIANCHI	SIDE PANELS JOINTING PLATE	
3	0543821900	0C2496	GUARNIZIONE CRUSCOTTO	GASKET CONTROL PANEL	
4	0546810400	0C5419	DISTANZIALE VETROCERAMICA	SPACER FOR GLASS TOP	
5	0548877U00	0C7527	GHIERA SIMOSTATO POSTERIORE	KNOB RING, ENERGY REGULATOR	ELX
5	054887A200	0C7534	GHIERA SIMOSTATO POSTERIORE	KNOB RING, ENERGY REGULATOR	ZAN, OEM up to 20/2011
5	0548879T00	0C7246	GHIERA SIMOSTATO POSTERIORE	KNOB RING, SAFETY THERMOSTAT	ZAN, OEM from 21/2011
6	0548877T00	0C7344	GHIERA SIMOSTATO ANTERIORE	KNOB RING, SAFETY THERMOSTAT	ELX
6	054887A100	0C7533	GHIERA SIMOSTATO ANTERIORE	KNOB RING, SAFETY THERMOSTAT	ZAN, OEM up to 20/2011
6	0548879S00	0C7245	GHIERA SIMOSTATO ANTERIORE	KNOB RING, SAFETY THERMOSTAT	ZAN, OEM from 21/2011
7	0218912211	069567	PIASTRINA PER GHIERA	PLATE FOR KNOB RING	
8	085089F701	0C8544	RIVESTIMENTO LATERALE 400 MM	EXTERNAL PANEL 400 MM	ELX, TOP
8	085089FA01	0C7268	RIVESTIMENTO LATERALE 400 MM	EXTERNAL PANEL 400 MM	ELX, TOP
8	085089F801	0C7536	RIVESTIMENTO LATERALE 800 MM	EXTERNAL PANEL 800 MM	ZAN, OEM - TOP
8	085089FB01	0C8464	RIVESTIMENTO LATERALE 800 MM	EXTERNAL PANEL 800 MM	ZAN, OEM - TOP
8	085089FF01	0C8598	RIVESTIMENTO LAT. MONOBLOCCO	EXT. PANEL FREESTANDING 800 MM	ELX - OVEN
8	085089FJ01	0CA950	RIVESTIMENTO LAT. MONOBLOCCO	EXT. PANEL FREESTANDING 800 MM	ZAN - OVEN
9	050389LP00	0C7333	GRIGLIA CAMINO	GRATE, CHIMNEY	
10	0830865500	059048	RASCHIETTO	SCRAPER	
11	0574820400	0C7188	RIPIANO VETROCERAMICA 400 MM	GLASS TOP 400 MM	
11	0574820300	0C7866	RIPIANO VETROCERAMICA 800 MM	GLASS TOP 800 MM	
12	0508813201	0A5300	PIASTRINA FISS.RESISTENZA	PLATE FOR HEATING ELEMENT	
13	0514886600	059044	MOLLA X PIASTRA	SPRING	
14	0830863200	059047	LAMPAD E SPIA	PILOT LAMP	
15	0617817600	005008	PIASTRA ELETTRICA	ELECTRIC PLATE	
16	0A05714000	058613	MORSETTIERA	MAIN TERMINAL BOARD	
17	085089B000	0C7291	CRUSCOTTO TOP 400 MM	CONTROL PANEL TOP 400 MM	ELX
17	085089FW00	0C7647	CRUSCOTTO TOP 400 MM	CONTROL PANEL TOP 400 MM	ZAN, OEM
17	0800838400	*	CRUSCOTTO TOP 400 MM	CONTROL PANEL TOP 400 MM	p
17	085589A400	0C7308	CRUSCOTTO TOP 800 MM	CONTROL PANEL TOP 800 MM	ELX
17	085089FX00	0C7648	CRUSCOTTO TOP 800 MM	CONTROL PANEL TOP 800 MM	ZAN, OEM
17	0800838500	*	CRUSCOTTO TOP 800 MM	CONTROL PANEL TOP 800 MM	q
17	085589AV00	0C7275	CRUSCOTTO MONOBLOCCO	CON. PANEL FREESTANDING	ELX
17	085089GM01	0C7651	CRUSCOTTO MONOBLOCCO	CON. PANEL FREESTANDING	ZAN
17	0800839700	*	CRUSCOTTO MONOBLOCCO	CON. PANEL FREESTANDING	O
18	0511850G01	0C6670	MANOPOLA	KNOB	ELX
*	0548877V00	0C7345	ADATTATORE MANOPOLA	KNOB ADAPTER	ELX
18	0548878201	0C7232	MANOPOLA	KNOB	ZAN
18	0548865500	0A5621	MANOPOLA	KNOB	OEM
19	0214590701	025245	MOLLETTA PER MANOPOLA	SPRING, KNOB	
20	0543821000	053816	GUARNIZIONE MANOPOLA	GASKET, KNOB	
21	0876800002	005010	LAMPADA SPIA VERDE	GREEN LAMP	
22	0541813800	0C6171	RONDELLA SILICONE	SILICONE WASHER	
23	0699802B00	0C6530	REGOLATORE ENERGIA	ENERGY REGULATOR	
24	0694801500	003551	SNUBBER	SNUBBER	
25	0315252601	026806	PIEDINO	FOOT	TOP
26	0544802300	0C0068	PRESSACAVO	TIGHTENER, CORD	
27	087089B900	0C7216	RIPIANO 400 MM	TOP 400 MM	ELX
27	087089BF00	0C7654	RIPIANO 400 MM	TOP 400 MM	ZAN
27	087089BA00	0C7872	RIPIANO 800 MM	TOP 800 MM	ELX
27	087089BG00	0C7655	RIPIANO 800 MM	TOP 800 MM	ZAN
28	0694605400	049303	FILTRO TRIFASE	TRIPHASE FILTER	
29	0835856900	0C0204	PIEDE	FOOT	

**CUCINA INFRAROSSO E700XP
INFRARED COOKING E700XP**

Pos	Factory Code	Spare part Code	Descrizione	Description	Ref./Note
30	050589CD00	*	PIASTRA DI RINFORZO	STIFFENING PLATE, FOOT	
31	0530R01801	0C6823	TAPPO MANIGLIA	HANDLE CLOSURE	ELX
32	870838210	0C0218	FACCIATA FORNO 800 mm	FRONT OVEN 800 mm	
33	0529850501	0C0182	PIASTRINA FACCIATA	PLATE FOR FRONT OVEN	
34	0529835404	0C5244	SUPPORTO CERNIERA	HINGE SUPPORT	
35	0522883606	*	CELLA FORNO	OVEN CELL	
36	0522882703	*	SCHIENALE FORNO	REAR PANEL, OVEN	
37	0533825302	*	PARETE ANTERIORE CAMINO	FRONTAL PANEL CHIMNEY	
38	0533825401	*	PARETE POSTERIORE CAMINO	REAR PANEL FOR CHIMNEY	
39	0560802203	*	ISOLAMENTO DX E SX	LEFT AND RIGHT INSULATION	
40	0560851800	0CB489	ISOLAMENTO CELLA	CELL INSULATION	
41	0530R01701	0C6891	SUPPORTO MANIGLIA	HANDLE SUPPORT	ELX
42	0560840300	0C0261	ISOLAMENTO ANTERIORE	FRONT INSULATION	
43	0538862800	0C6444	GRIGLIETTA PROTEZIONE BULBO	GRID FOR BULB PROTECTION	
44	*	0CB566	KIT ANTIROTAZIONE	KIT	TB. PDX2018-07
45	050389G501	0C7272	PORTA FORNO	OVEN DOOR	
46	050389G600	0C7273	CONTROPORTA	INNER DOOR	
47	0560839601	0C0197	ISOLAMENTO PORTA	DOOR INSULATION	
48	051589A500	0C7274	MANIGLIA FORNO	HANDLE, DOOR	ELX
48	051589A601	0C7226	MANIGLIA FORNO	HANDLE, DOOR	ZAN
48	083089FY00	0C7946	MANIGLIA FORNO	HANDLE, DOOR	OEM
*	085589A300	0C7271	ASS. PORTA FORNO	OVEN DOOR ASSEMBLY.	ELX
*	085589CH01	0C7276	ASS. PORTA FORNO	OVEN DOOR ASSEMBLY.	ZAN
*	085589CQ02	0C7278	ASS. PORTA FORNO	OVEN DOOR ASSEMBLY.	OEM
49	0835848100	0C0203	CERNIERA PORTA	HINGE, DOOR	
50	0205075423	052725	COPRICERNIERA	HINGE COVER	
51	051489AA00	0C6446	GUIDE PER TEGLIE	PLATES RUNNERS	
52	0330260843	025020	GRIGLIA FORNO	GRID, OVEN	
53	0500850001	054144	SUOLA FORNO	SOLE PLATE	
54	0876800102	005011	LAMPADA SPIA ARANCIO	ORANGE LAMP	
55	0646805302	059235	TERMOSTATO TRIPOLARE	TRIPOLAR THERMOSTAT	
56	0641803700	0C0320	COMMUTATORE	SWITCH	
57	0617832400	0C2813	RESISTENZA FORNO	HEATING ELEMENT DOOR	
58	0646808600	004600	LIMITATORE TEMPERATURA	SAFETY THERMOSTAT	
59	063889BD00	0CA793	RESISTENZA DI DISPERSIONE	LEAKAGE RESISTANCE	OVEN - c,h,o
60	0548877J00	0C7231	GHIERA COMMUTATORE	KNOB RING, SWITCH	ELX - OVEN
60	0548879U00	0C7247	GHIERA COMMUTATORE	KNOB RING, SWITCH	ZAN , OEM- OVEN
61	0548877S00	0C7343	GHIERA TERMOSTATO	KNOB RING, THERMOSTAT	ELX - OVEN
61	0548879D00	0C7242	GHIERA TERMOSTATO	KNOB RING, THERMOSTAT	ZAN , OEM- OVEN
62	0516860702	0C0137	PIASTRINA POSTERIORE	REAR PLATE	



Electrolux Professional SPA
Viale Treviso 15
33170 Pordenone
www.electrolux-professional.com

NordCap GmbH & Co. KG
Thalendorststraße 15
28307 Bremen
Hauptsitz (Service, Finanzen & Personal, Lager, IT, Marketing)

Telefon: +49 421 48557-0
Telefax: +49 421 488650
E-Mail: bremen@nordcap.de

Die NordCap Verkaufsniederlassungen in Deutschland:

Nord: Hamburg • Ost: Berlin • Süd: Ingelheim • West: Erkrath

by **NordCap**[®]

ZANUSSI
PROFESSIONAL