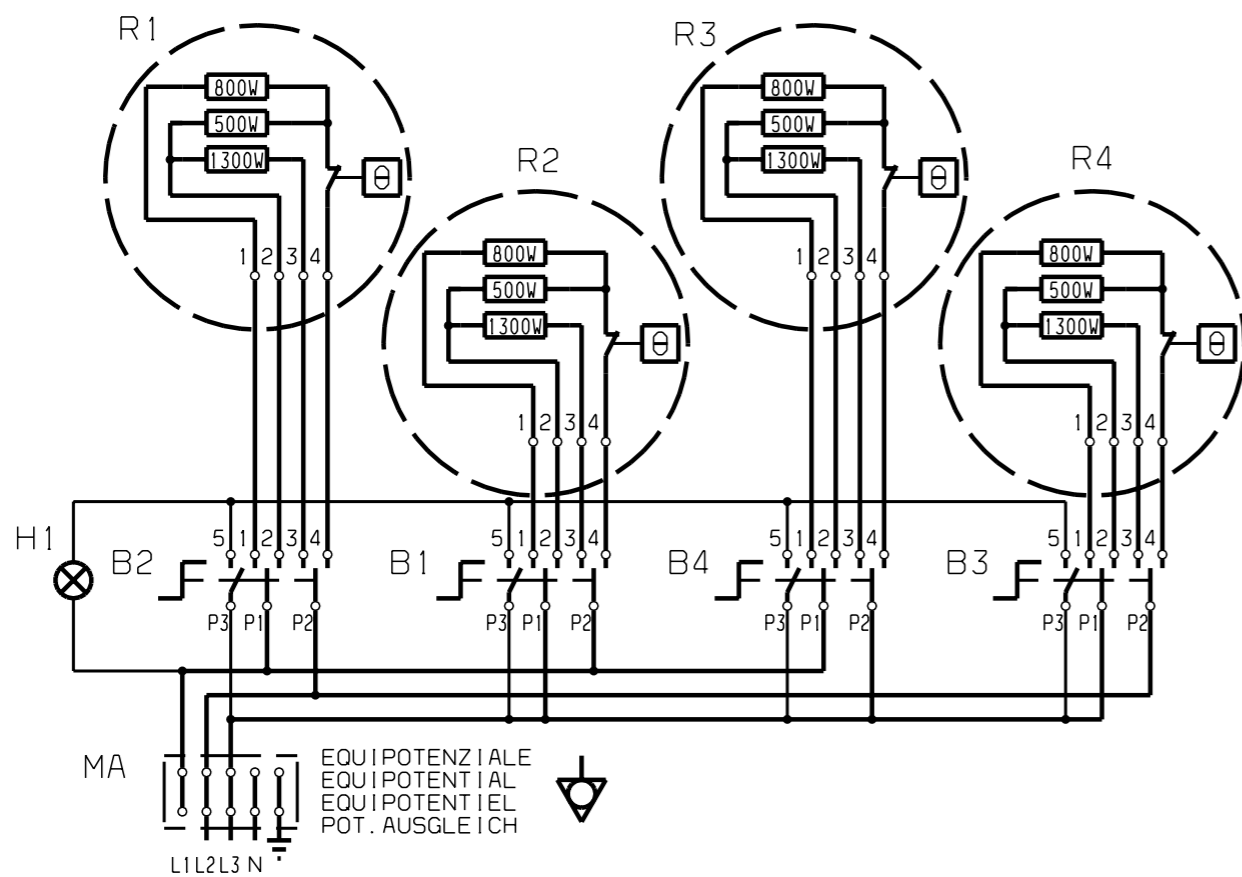


230V ~ 3 50/60Hz
15.6KW 30A

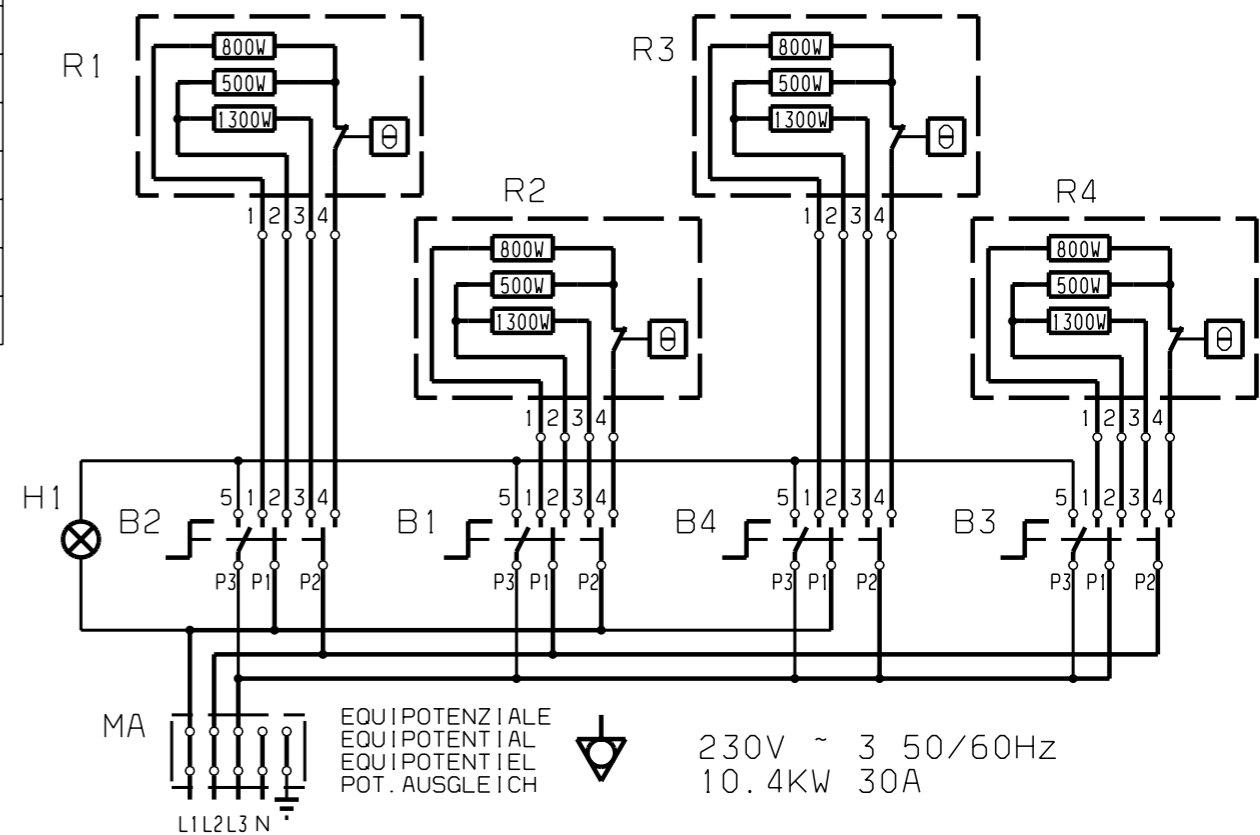


230V ~ 3 50/60Hz
10.4KW 30A



B1*B6		5	1	2	3	4
POS.	P3	P1	P2			
0						
6	●	●	●	●	●	
5	●		●	●	●	
4	●		●	●		
3	●		●		●	
2	●			●	●	
1	●	●		●		

230V ~ 3 50/60Hz
5.2KW 20A



230V ~ 3 50/60Hz
10.4KW 30A

MA	MORSETTIERA ALIMENTAZIONE BORNE D'ALIMENTATION	MAIN TERMINAL BOARD ANSCHLUSSKLEMMEN
B1*B6	COMMUTATORE SELECTEUR	COMMUTATOR WAHLER
R1*R6	RESISTENZE RESISTANCES	RESISTANCES HEIZKORPER
H1	LAMPADA SEGNALAZIONE LAMPE TEMOIN	PILOT LIGHT SIGNALLAMPE

Mod. :ELECTRIC COOKER N700 230V ~3

From s.n.:

N° :602879300