

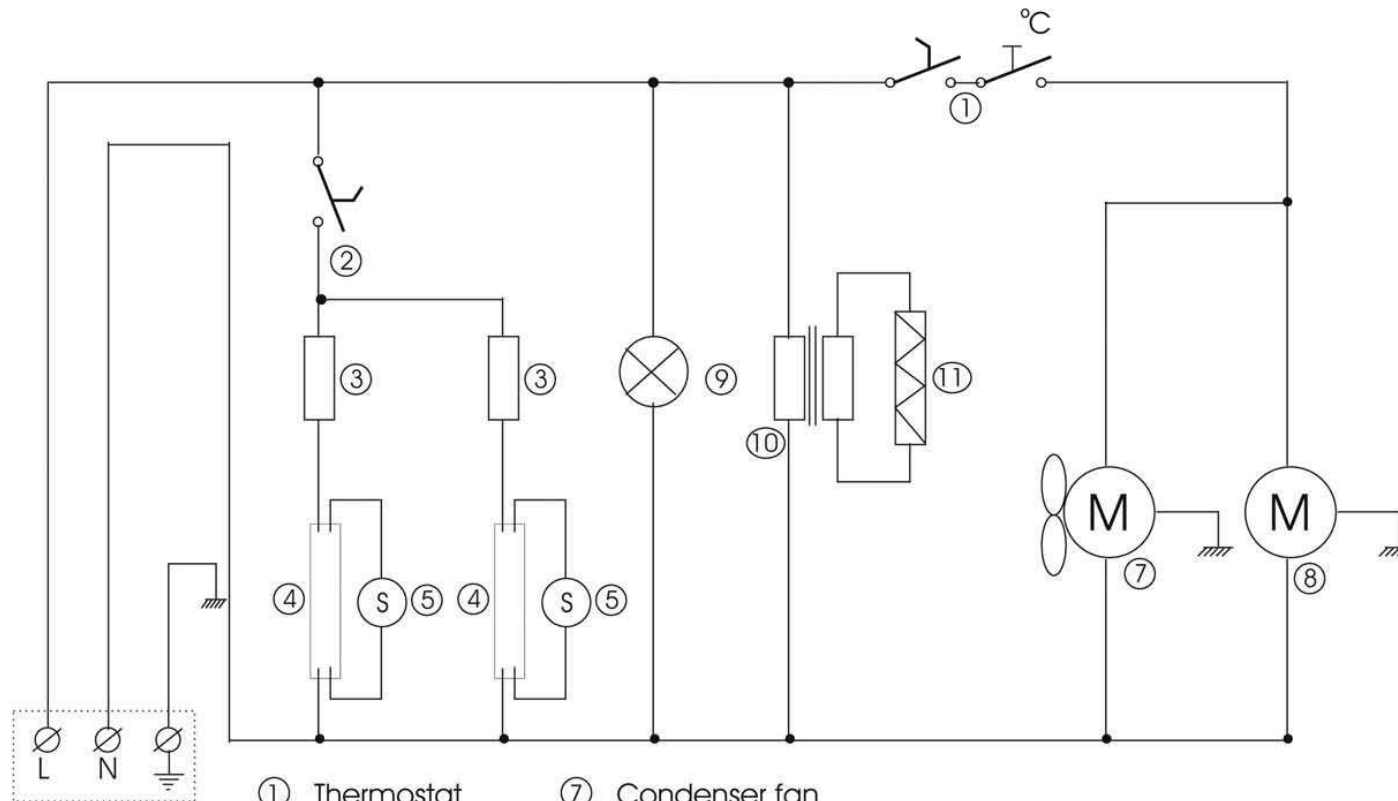
Schaltplan

Gewerbetiefkühlschrank TK 300 G-CP

[Art. 435203509]

NordCap®

PROFESSIONELL KÜHLEN



- | | |
|----------------|---------------------------|
| ① Thermostat | ⑦ Condenser fan |
| ② Light switch | ⑧ Compressor |
| ③ Ballast | ⑨ Green control lamp |
| ④ Neon lamp | ⑩ Transformer, 230/48 VAC |
| ⑤ Neon starter | ⑪ Door heater |

	Date: 140413
	Rev.: 01
Wiring diagram	Rev. by: rfj
Drawing no.:	