

## FLAKE ICE MAKER



Item: 271797

You should read this user manual carefully before using the appliance.

Sie sollten diese Bedienungsanleitung sorgfältig lesen, bevor Sie das Gerät verwenden.

Lees deze gebruikershandleiding zorgvuldig door voordat u het apparaat gebruikt.

Przed użyciem urządzenia należy uważnie przeczytać niniejszą instrukcję obsługi.

Vous devez lire attentivement ce manuel d'utilisation avant d'utiliser l'appareil.

È necessario leggere attentamente questo manuale utente prima di utilizzare l'apparecchio.

Ar trebui să citiți cu atenție acest manual de utilizare înainte de a utiliza aparatul.

Перед использованием прибора внимательно прочтите это руководство пользователя.

Πρέπει να διαβάσετε προσεκτικά αυτό το εγχειρίδιο χρήσης πριν χρησιμοποιήσετε τη συσκευή.



Keep these instructions with the appliance.  
Diese Gebrauchsanweisung bitte beim Gerät aufbewahren.  
Bewaar deze handleiding bij het apparaat.  
Zachowaj instrukcję urządzenia  
Gardez ces instructions avec cet appareil.  
Conservate le istruzioni insieme all'apparecchio.  
Păstrați manualul de utilizare alături de aparat.  
Хранить руководство вместе с устройством.  
Φυλάξτε αυτές τις οδηγίες μαζί με τη συσκευή.



For indoor use only.  
Nur zur Verwendung im Innenbereich.  
Alleen voor gebruik binnenshuis.  
Do użytku wewnątrz pomieszczeń.  
Pour l'usage à l'intérieur seulement.  
Destinato solo all'uso domestico.  
Doar pentru uz la interior.  
Использовать только в помещениях.  
Για χρήση μόνο σε εσωτερικό χώρο.




Dear Customer,

Thank you for purchasing this Arctic appliance. Read this manual carefully, paying particular attention to the safety regulations outlined below, before installing and using this appliance for the first time.

---

## Safety regulations

- This appliance is intended for buffet and household use.
- Only use the appliance for the intended purpose it was designed for as described in this manual.
- The manufacturer is not liable for any damage caused by incorrect operation and improper use.
- Keep the appliance and electrical plug away from water and other liquids. In the event the appliance falls into water, immediately remove the power plug from the socket. Do not use the appliance until it has been checked by a certified technician. Failure to follow these instructions will cause life threatening risks.
- Never attempt to open the housing of the appliance by yourself.
- Do not insert objects into the housing of the appliance.
- Do not touch the plug with wet or damp hands.
-  **DANGER OF ELECTRIC SHOCK!** Do not attempt to repair the appliance by yourself, repairs are only to be conducted by qualified personnel.
- **Never use a damaged appliance!** When it's damaged, disconnect the appliance from the socket and contact the retailer.
- **WARNING!** Do not immerse the electrical parts of the appliance in water or other liquids.
- Never hold the appliance under running water.
- Regularly check the power plug and cord for any damage. When damaged it must be replaced by a service agent or similarly qualified person in order to avoid danger or injury.
- Make sure the cord does not come in contact with sharp or hot objects and keep it away from open fire. Never pull the power cord to unplug it from the socket, always pull the plug instead.
- Make sure that the power cord and/or extension cord do not cause a trip hazard.
- Never leave the appliance unattended during use.
- **WARNING!** As long as the plug is in the socket the appliance is connected to the power source.
- Turn off the appliance before unplugging it from the socket.
- Connect the power plug to an easily accessible electrical socket so that in case of emergency the appliance can be unplugged immediately.
- Never carry the appliance by the cord.
- Do not use any extra devices that are not supplied together with the appliance.
- Only connect the appliance to an electrical outlet with the voltage and frequency mentioned on the appliance label.
- Never use accessories other than those recommended by the manufacturer. Failure to do so could pose a safety risk to the user and could damage the appliance. Only use original parts and accessories.

EN

- This appliance should not be operated by persons with reduced physical, sensory or mental capabilities, or persons that have a lack of experience and knowledge.
- This appliance should, under any circumstances, not be used by children.
- Keep the appliance and its power cord out of reach of children.
- **WARNING:** ALWAYS switch off the appliance and unplug from power socket before cleaning, maintenance or storage.

---

## Special safety regulations

- This appliance is intended only for making flake ice. Any other use may lead to damage of the appliance or personal injury.
- Use the appliance only as described in this manual.



**CAUTION! RISK OF FIRE!** The refrigerant used is R290. It is a flammable refrigerant which is environmentally friendly. Although it is flammable, it does not damage the ozone layer and does not increase the greenhouse effect. The use of this coolant has, however, led to a slight increase in the noise level of the appliance. In addition to the noise of the compressor, you might be able to hear the coolant flowing around the system. This is unavoidable, and does not have any adverse effect on the performance of the appliance. Care must be taken during the transportation and setting up of the appliance that no parts of the cooling system are damaged. Leaking coolant can damage the eyes.

- Do not place the appliance on a heating object (gasoline, electric, charcoal cooker, etc). Keep the appliance away from any hot surfaces and open flames. Always operate and place the appliance on a level, stable, clean, heat-resistant and dry surface.
- This appliance is not intended to be operated by means of an external timer or separate remote-control system.
- **WARNING:** Keep all ventilation openings in the appliance enclosure clear of obstruction.
- **WARNING:** Do not use mechanical devices or other means to accelerate the defrosting process, other than those recommended by the manufacturer.
- **WARNING:** Do not damage the refrigerant circuit.
- **WARNING:** Connect to portable water supply only.
- Do not store explosive substances such as aerosol cans with a flammable propellant in this appliance.
- Allow at least 15 cm spacing around the appliance for ventilation purpose during use.
- Do not use hard utensils to hit the outer surface. Do not use water jet, flush directly with water or steam cleaner as the parts will get wet and electric shock might be resulted.
- Do not expose it to direct sunlight. Avoid mechanical shocks and vibrations.
- Always move or transport the appliance in an upright position or it may damage the appliance.
- **CAUTION!** Securely route the power cord if necessary in order to prevent unintentional pulling or contact with the heating surface.
- Do not clean or store the appliance unless it is completely cooled down.
- No any parts are dishwasher safe.

---

### Intended use

- This appliance is intended for buffet and household use.
- The appliance is designed only for making flake ice continuously. Any other use may lead to damage to the appliance or personal injury.
- Operating the appliance for any other purpose shall be deemed as misuse of the device. The user shall be solely liable for the improper use of the device.

---

### Grounding installation

This appliance is classified as **protection class I** and must be connected to a protective ground. Grounding reduces the risk of electric shock by providing an escape wire for the electric current.

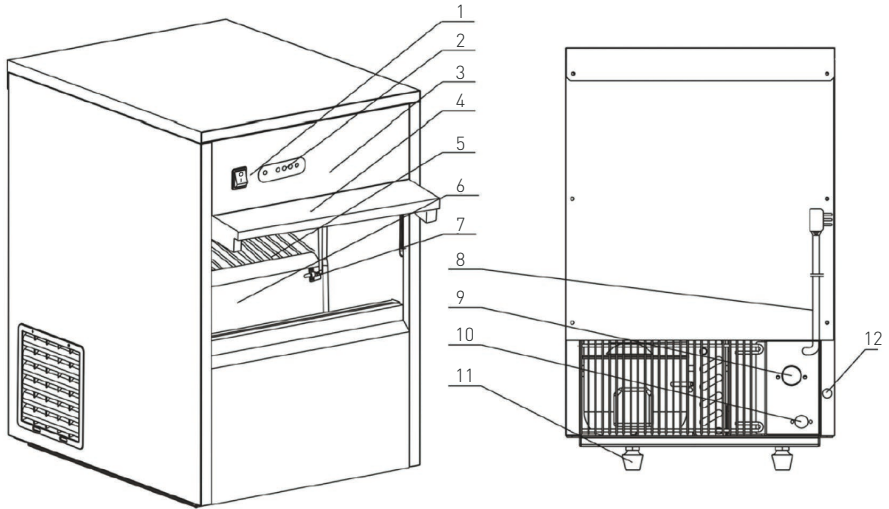
This appliance is fitted with a power cord that has a grounding wire and grounded plug. The plug must be plugged into an outlet that is properly installed and grounded.

---

### Preparations before using for the first time

- Check to make sure the appliance is undamaged. In case of any damage, contact your supplier immediately and do NOT use the appliance.
- Remove all the packing material and protective film (if applicable).
- Clean the appliance with luke-warm water and a soft cloth.
- Place the appliance on a level and steady surface, unless mentioned otherwise.
- Make sure there is enough clearance around the appliance for ventilation purposes.
- Position the appliance in such a way that the plug is accessible at all times.
- Check that the ice basket and scoop are included. If any parts are missing, contact your supplier.
- Clean the inside of the appliance with lukewarm water and a soft cloth.
- Clean the ice basket.
- Do not place the ice maker in direct sunlight or close to a heat source.
- Do not use the ice maker within 24 hours after it has been transported and moved from one place to another.
- Keep the packaging if you intend to store your appliance in the future.

## Main parts of the appliance

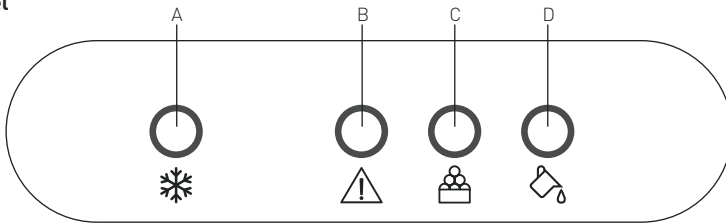


1. ON / OFF switch with built-in indicator (Green)
2. Display panel showing different function lamp
3. Front panel
4. Sliding door
5. Ice shelf
6. Ice storage container

7. Ice capacity sensor
8. Power cord
9. Water supply inlet
10. Drainage tube hole
11. Feet
12. Drainage cover

EN

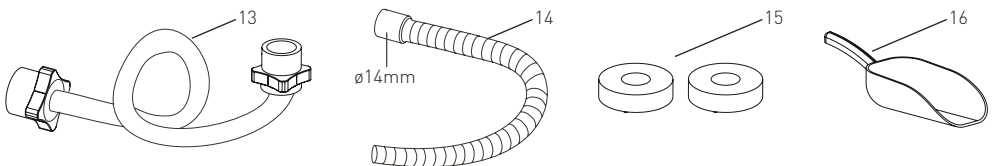
## Control panel



- A). ❄️ : Operation indicator (Green)  
 B). ⚠️ : Display of fault (Red)

- C). 🛢️ : Storage tank is full (Yellow)  
 D). 💧 : Water level is too low (Yellow)

## Accessories



13. Water inlet supply hose
14. Water drainage hose

15. Spare sealing washer x2
16. Ice scoop

## Installation of the appliance

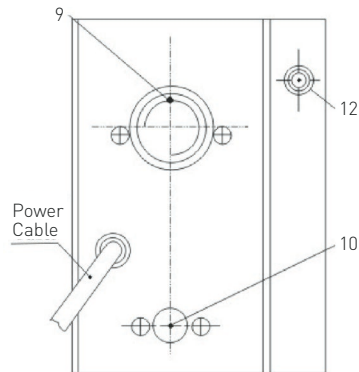
**Attention:** Any installation, maintenance and repair work should be performed by qualified and authorized technician only.

- Check to make sure that the appliance is undamaged or complete delivery. In case of any damage or incomplete delivery, DO NOT use the appliance and contact the supplier immediately.
- Check that the accessories such as water supply hose, water drainage hose, 2 spare sealing washers & ice scoop are included.
- Remove all packing material and protective film (if applicable).
- Place the appliance on a level, steady and safe surface which can supports the weight of the appliance together with the flake ice produced during use.
- Avoid expose to direct sunlight or direct source of heat such as cooker, heat oven, etc.
- Make sure that a minimum of 15 cm distance is kept around all sides of the appliance for ventilation purposes.
- Place the appliance in such a way that the plug is easily accessible and can be quickly removed from its socket in case of necessity.
- Set up the appliance near water supply connection.

## Connection to the water supply

**Attention:** The appliance should be connected to a cold drinkable water supply only. Otherwise, a cleaning system or filter should be installed in advance.

- Connect one end of the water inlet supply hose (13) to the 3 / 4" screw type connector of the water tap supply so as to get the drinkable tap water. Then, connect the other end of this hose to the back of the appliance (9) by screwing clockwise. Be sure to put sealing washers (15) in both ends before connecting.
- Next, connect one end of the drainage hose (14) using the rubber drainage cuff to the rear of the appliance (10). Attach the other end to the sewage outlet / water container. The height of the sewage outlet / water container must be situated lower than the appliance, so that water can flow out.



**Note:** The inlet water supply pressure range: 1- 8 kg/cm<sup>2</sup>. Pressure reducer should be installed if the pressure over this range.

## Operation

- Before first use, clean the appliance interior and exterior surface with lukewarm water and a soft cloth.
  - Position the appliance in a well-ventilated place, leaving at least 150 mm gap around all sides for ventilation purposes.
  - Let the appliance stand alone for about one hour in order to settle the refrigerant. Make sure connect properly with the water supply system.
  - Then, plug in to a suitable socket.
  - Press down the ON / OFF switch (1) on the control panel in order start up.
  - Then, the appliance will use water to clean up inside and water will flow out automatically. This time, the 3 light indicators "❄️", "⚠️" and "💧" lights up & blink for about 30 seconds.
  - Also, the ON / OFF switch (1) lights up in green. The appliance starts to operate.
  - The flake ice making process is completely automatic, it consists of several stages as below:  
Water inlet ==> flake ice production ==> ejection of flake ice ==> storage of flake ice.
  - Then, push the slide door (4) and use ice scoop (16) to take out the ice.
  - When the ice storage container is full, the "🧊" indicator will light up in yellow and the appliance will stop operation automatically.
  - Once the flake ice have been removed, the appliance continue production of flake ice automatically.
- **Note:** For sanitary reasons, you should dispose of the flake ice produced in the first cycle for every use. Do not use them for beverages or cooling food.
  - If the water supply is insufficient, the "💧" indicator will light up in yellow and the appliance will stop operate automatically. Check the water supply (hose) connected to the appliance.
  - If any error or failure occur, the "⚠️" indicator will light up in red and the appliance will stop operation automatically.
  - Switch OFF the appliance by pressing down the ON / OFF switch (1) and unplug it from the electrical supply when not in use.

### Notes:

- DO NOT switch ON again the appliance immediately after shut down automatically (caused by insufficient water supply, flake ice container too full, current interruption). Wait at least 3 ~ 5 minutes in order to avoid damages to the compressor.
- Check the connectors of the water inlet and outlet hose regularly for the leakage or overflow of water that may be present.
- If the appliance is not used for a long period of time, screw off the drainage cover (12) at the rear of the appliance. Wipe dry the water tank using a dry, clean cloth.

## Cleaning & Maintenance

**Attention:** Always unplug the appliance from the electrical power outlet and let it cool down completely before cleaning or doing repair or maintenance work. And this should be performed by qualified and authorized technician only.

### Cleaning

- Clean the appliance thoroughly after each use and after long period.
- The exterior and interior surfaces can be cleaned with a damp cloth and a little detergent.
- Do not use water jet or steam cleaner for cleaning and do not immerse the machine under the water.
- Clean the condenser for every 2 ~ 3 months.
- Use soft cloth only and make sure you never use any kind of abrasive agents or pads, which could scratch the surface.
- After the cleaning procedure, you should use a soft and dry cloth to wipe dry and polish the surface.




## Maintenance

- Check the power cord for any damage from time to time to avoid electric shock. Never operate the appliance when the power cord is damaged. A damaged power cord must be immediately replaced by a qualified and authorized technician.
- Only a qualified technician and original spare parts and accessories should be used to carry out the repair and maintenance work. DO NOT attempt to repair the appliance yourself.

## Troubleshooting

If the appliance does not function properly, please check the below table for solution. If you are still unable to solve the problem, please contact the supplier/service provider.

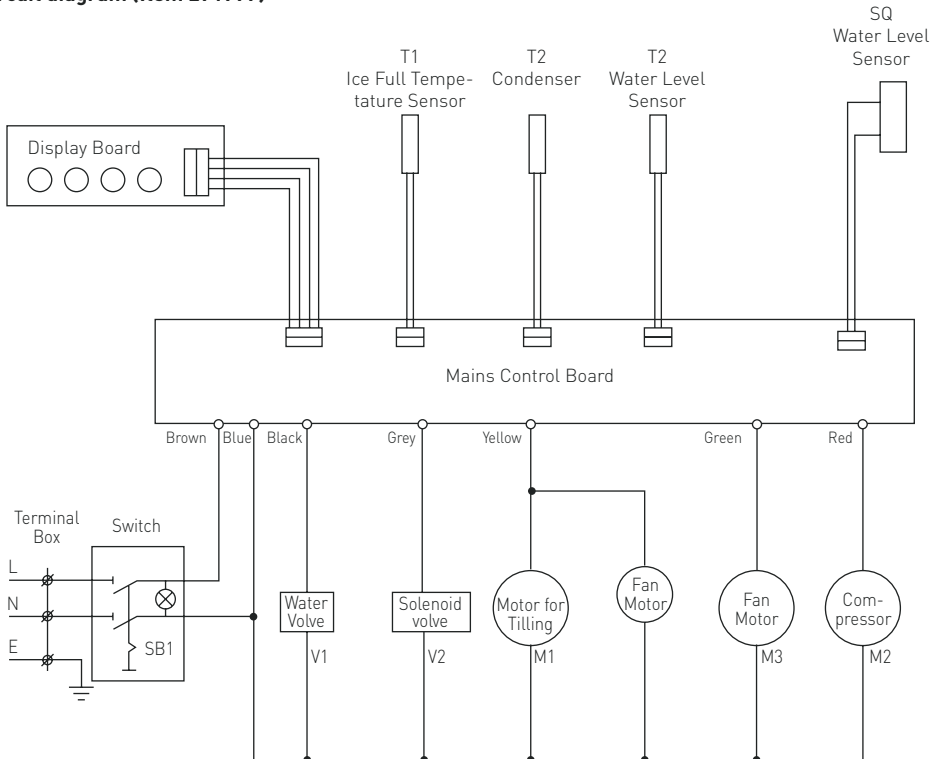
Problems	Possible causes	Possible solution
Appliance has no function.	<ul style="list-style-type: none"> <li>• Appliance is switched OFF.</li> <li>• Not connected properly with the electrical supply.</li> </ul>	<ul style="list-style-type: none"> <li>• Switch ON the appliance.</li> <li>• Check the connection with electrical supply.</li> </ul>
Compressor does not work.	<ul style="list-style-type: none"> <li>• Water shortage from the water supply system.</li> <li>• Container is full of ice.</li> </ul>	<ul style="list-style-type: none"> <li>• Check the water supply system. If ok, restart the appliance.</li> <li>• Take out some ice.</li> </ul>
Compressor works, but no flake ice is made.	<ul style="list-style-type: none"> <li>• Refrigerant leakage</li> <li>• The refrigerating system is blocked.</li> </ul>	<ul style="list-style-type: none"> <li>• Contact the supplier.</li> </ul>
 indicator is on.	<ul style="list-style-type: none"> <li>• Water shortage from the water supply system.</li> <li>• Water valve is damaged.</li> <li>• Tap water pressure is too slow.</li> </ul>	<ul style="list-style-type: none"> <li>• Check the water supply system. If ok, restart the appliance.</li> <li>• Contact the supplier.</li> <li>• Be sure the tap water pressure is at least 1kg/cm<sup>2</sup></li> </ul>
Indicator B is always on	Gear motor is defective.	Contact the supplier
	Hail device is not working.	Contact the supplier
	Condenser fan is defective.	Contact the supplier
Indicator B is on 3 times per 5s	Ice level sensor is not working.	Contact the supplier.
Indicator B is on once per 5s	Water temperature sensor is not working.	Contact the supplier.
Indicator B is on 2 times per 5s	Condenser sensor is not working.	Contact the supplier.
Water leakage	<ul style="list-style-type: none"> <li>• The water tube is damaged.</li> <li>• The water inlet pressure is too high.</li> </ul>	<ul style="list-style-type: none"> <li>• Change the water tube.</li> <li>• Check and reduce the water inlet pressure.</li> </ul>
Stagnant water inside the ice cube storage room	<ul style="list-style-type: none"> <li>• The installation of drain tube is lower than horizontal water level.</li> <li>• The drain tube is blocked.</li> </ul>	<ul style="list-style-type: none"> <li>• Adjust the drain tube height.</li> <li>• Change the drain tube.</li> </ul>

## Technical specification

Item no.	271797
Operating voltage & frequency	220-240V~ 50Hz
Rated input power	430W
Rated current	3A
Refrigerant used and quantity	R290 / 70g
Climate class	ST (18°C to 38°C)
Protection class	Class I
Noise level	< 60 dB (A)
Ice making capacity	85 kg / 24hr
Ice tank storage	20 kg
Net weight	58 kg
Dimension	548 x 612 x (H) 867 mm

**Remark: Technical specification is subjected to change without prior notification.**

## Circuit diagram (Item 271797)



---

## Warranty

Any defect affecting the functionality of the appliance which becomes apparent within one year after purchase will be repaired by free repair or replacement provided the appliance has been used and maintained in accordance with the instructions and has not been abused or misused in any way. Your statutory rights are not affected. If the appliance is claimed under warranty, state where and

when it was purchased and include proof of purchase (e.g. receipt).

In line with our policy of continuous product development we reserve the right to change the product, packaging and documentation specifications without notice.

---

## Discarding & Environment

When decommissioning the appliance, the product must not be disposed of with other household waste. Instead, it is your responsibility to dispose of your waste equipment by handing it over to a designated collection point. Failure to follow this rule may be penalized in accordance with applicable regulations on waste disposal. The separate collection and recycling of your waste equipment at the time of disposal will help conserve natural re-


sources and ensure that it is recycled in a manner that protects human health and the environment.

For more information about where you can drop off your waste for recycling, please contact your local waste collection company. The manufacturers and importers do not take responsibility for recycling, treatment and ecological disposal, either directly or through a public system.

Sehr geehrter Kunde,

Vielen Dank für den Kauf dieses Arktic Gerät. Lesen Sie dieses Handbuch sorgfältig und achten Sie besonders auf die unten aufgeführten Sicherheitsvorschriften, bevor Sie dieses Gerät zum ersten Mal installieren und verwenden.

## Sicherheitsvorschriften

- Dieses Gerät ist für den Buffet- und Haushaltsgebrauch bestimmt.
- Verwenden Sie das Gerät nur für den vorgesehenen Zweck, für den es entworfen wurde, wie in diesem Handbuch beschrieben.
- Der Hersteller haftet nicht für Schäden, die durch fehlerhafte Bedienung und unsachgemäße Verwendung verursacht werden.
- Halten Sie das Gerät und den elektrischen Stecker von Wasser und anderen Flüssigkeiten fern. Falls das Gerät in Wasser fällt, entfernen Sie sofort den Netzstecker von der Steckdose. Verwenden Sie das Gerät erst, wenn es von einem zertifizierten Techniker überprüft wurde. Die Nichtbefolgung dieser Anweisungen führt zu lebensbedrohlichen Risiken.
- Versuchen Sie niemals, das Gehäuse des Geräts selbst zu öffnen.
- Legen Sie keine Objekte in das Gehäuse der Appliance ein.
- Berühren Sie den Stecker nicht mit nassen oder feuchten Händen.
-  **GEFAHR EINES ELEKTRISCHEN SCHLAGS!** Versuchen Sie nicht, das Gerät selbst zu reparieren, Reparaturen sind nur von qualifiziertem Personal durchzuführen.
- **Verwenden Sie niemals ein beschädigtes Gerät!** Wenn es beschädigt ist, trennen Sie das Gerät von der Steckdose und wenden Sie sich an den Händler.
- **WARNUNG!** Tauchen Sie die elektrischen Teile des Geräts nicht in Wasser oder andere Flüssigkeiten ein.
- Halten Sie das Gerät niemals unter fließendem Wasser.
- Überprüfen Sie regelmäßig den Netzstecker und das Kabel auf Beschädigungen. Bei Beschädigung muss es durch einen Dienstleister oder eine ähnlich qualifizierte Person ersetzt werden, um Gefahren oder Verletzungen zu vermeiden.
- Stellen Sie sicher, dass das Kabel nicht mit scharfen oder heißen Gegenständen in Berührung kommt und halten Sie es von offenem Feuer fern. Ziehen Sie niemals das Netzkabel, um es von der Steckdose zu trennen, ziehen Sie stattdessen immer den Stecker.
- Stellen Sie sicher, dass das Netzkabel und/oder das Verlängerungskabel keine Auslösegefahr verursachen.
- Lassen Sie die Appliance während des Gebrauchs niemals unbeaufsichtigt.
- **WARNUNG!** Solange sich der Stecker in der Steckdose befindet, wird das Gerät an die Stromquelle angeschlossen.
- Schalten Sie die Appliance aus, bevor Sie sie vom Sockel trennen.
- Schließen Sie den Netzstecker an eine leicht zugängliche Steckdose an, so dass das Gerät im Notfall sofort abgenommen werden kann.

- Tragen Sie das Gerät niemals an der Schnur.
- Verwenden Sie keine zusätzlichen Geräte, die nicht zusammen mit der Appliance geliefert werden.
- Schließen Sie das Gerät nur an eine Steckdose mit der Spannung und Frequenz an, die auf dem Etikett des Gerätes angegeben ist.
- Verwenden Sie niemals anderes Zubehör als das vom Hersteller empfohlene Zubehör. Andernfalls könnte ein Sicherheitsrisiko für den Benutzer darstellen und das Gerät beschädigen. Verwenden Sie nur Originalteile und Zubehör.
- Dieses Gerät sollte nicht von Personen mit eingeschränkter körperlicher, sensorischer oder geistiger Leistungsfähigkeit oder von Personen mit mangelnder Erfahrung und Kenntnissnahme betrieben werden.
- Dieses Gerät sollte unter keinen Umständen von Kindern verwendet werden.
- Bewahren Sie das Gerät und das Netzkabel außerhalb der Reichweite von Kindern auf.
- **ACHTUNG:** Schalten Sie das Gerät immer aus und ziehen Sie es vor der Reinigung, Wartung oder Lagerung von der Steckdose ab.

---

## Besondere Sicherheitsvorschriften

- Das Gerät dient ausschließlich zur Herstellung von zerstoßenem Eis. Die Verwendung dieses Gerätes zu irgendeinem anderen Zweck kann zu seiner Beschädigung bzw. zu Körperverletzungen führen.
- Verwenden Sie das Gerät ausschließlich gemäß der vorliegenden Anweisung.
-  **ACHTUNG! ES BESTEHT FEUERGEFAHR!** Im Gerät wird R290 als Kältemittel verwendet. Es ist ein umweltfreundliches, leicht brennbares Kältemittel. Obwohl das Kältemittel leicht brennbar ist, ist es unschädlich für die Ozonschicht und hat keinen Einfluss auf den Treibhauseffekt. Der Einsatz dieses Kältemittels führt jedoch zu einem leichten Anstieg des Lärmpegels des Gerätes. Neben dem Lärm des Verdichters kann der Benutzer das Geräusch hören, das durch den Kältemittelstrom verursacht wird. Dieses Phänomen lässt sich nicht vermeiden und hat keine negativen Auswirkungen auf den Betrieb des Gerätes. Bei Transport und Aufstellung des Gerätes ist besonders darauf zu achten, dass keine Teile des Kältesystems beschädigt werden. Auslaufendes Kältemittel kann zu Augenschäden führen.
- Stellen Sie das Gerät nicht auf einen wärmemittehenden Gegenstand (Gasherd, Elektroherd, Grill, usw.). Lagern Sie es weit entfernt von heißen Flächen oder offenem Feuer. Bedienen Sie das Gerät auf einer ebenen, stabilen, sauberen und trockenen Fläche, die auch gegen die Einwirkung hoher Temperaturen beständig ist.
- Das Gerät ist für die Bedienung durch einen externen Timer oder ein gesondertes Fernsteuersystem nicht geeignet.
- **WARNUNG:** Verdecken Sie nicht die Belüftungsöffnungen im Gehäuse des Gerätes.
- **WARNUNG:** Verwenden Sie zwecks Beschleunigung des Abtauvorgangs weder mechanische Geräte noch andere Werkzeuge als vom Hersteller empfohlen.
- **WARNUNG:** Der Umlauf des Kältemittels darf nicht beschädigt werden.

- **WARNUNG:** Schließen Sie nur das Gerät an eine tragbare Wasserquelle an.
- Lagern Sie keine explosiven Stoffe, z.B. Aerosolbehälter zusammen mit dem im Gerät enthaltenen brennbaren Gas.
- Belassen Sie einen Freiraum von mindestens 15 cm rundum das Gerät, um eine richtige Belüftung zu gewährleisten.
- Schlagen Sie nicht die Außenfläche des Gerätes mit einem harten Gegenstand. Reinigen Sie das Gerät nicht mit einem Wasserstrahl unter Druck oder einem Dampfreiniger, spülen Sie das Gerät nicht mit Wasser ab, da die Teile im Gerät feucht werden oder eingetaucht werden können, was den Stromschlag verursacht.
- Schützen Sie das Gerät vor direkter Sonneneinstrahlung. Vermeiden Sie mechanische Stöße und Vibrationen des Gerätes.
- Um Schäden am Gerät zu vermeiden, tragen und transportieren Sie es immer vertikal.
- **ACHTUNG!** Führen und sichern Sie entsprechend das Stromkabel, um ein unbeabsichtigtes Ziehen oder Berühren der erhitzten Oberfläche zu vermeiden.
- Reinigen und stellen Sie das Gerät nicht am Lagerort ab, bis es nicht völlig abgekühlt ist.
- Die Teile des Geräts dürfen in der Spülmaschine nicht gereinigt werden.

---

#### Verwendungszweck

- Dieses Gerät ist für den Buffet- und Haushaltsgebrauch bestimmt.
- Das Gerät darf nur zum Zerstoßen von Eis verwendet werden. Die Verwendung des Gerätes für andere Zwecke kann zu seiner Beschädigung sowie zu Körperverletzungen führen.
- Jede andere Verwendung des Gerätes gilt als nicht bestimmungsgemäß. Der Benutzer ist allein verantwortlich für die unsachgemäße Nutzung des Gerätes.

---

#### Erdungsinstallation

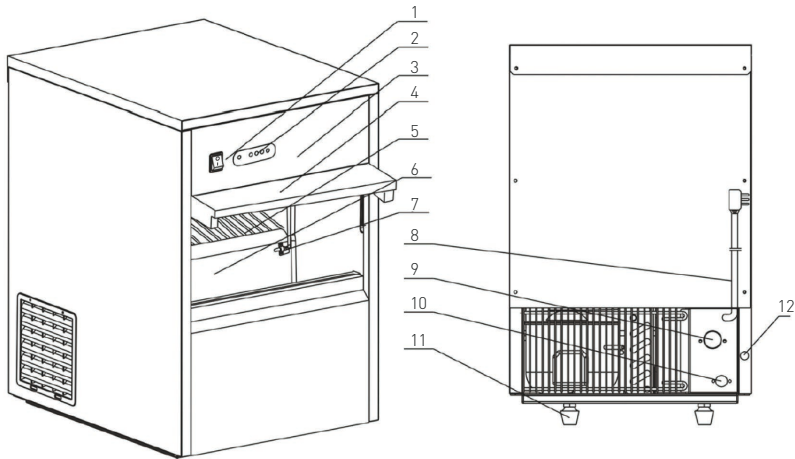
Dieses Gerät ist als **Schutzklasse I** eingestuft und muss mit einer Schutzerde verbunden werden. Die Erdung reduziert das Risiko eines elektrischen Schlags, indem ein Flucht kabel für den elektrischen Strom bereitgestellt wird. Dieses Gerät ist

mit einem Netzkabel mit einem Erdungskabel und einem geerdeten Stecker ausgestattet. Der Stecker muss in eine Steckdose gesteckt werden, die ordnungsgemäß installiert und geerdet ist.

## Vor erstem Gebrauch

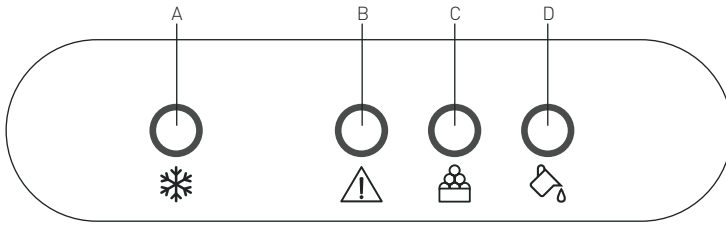
- Überprüfen Sie es, ob das Gerät nicht beschädigt ist. Wenn irgendwelche Beschädigungen festgestellt werden, muss man sich sofort mit dem Lieferanten in Verbindung setzen und das Gerät darf NICHT in Betrieb genommen werden.
- Entfernen Sie alle Verpackungselemente und die Schutzfolie (falls vorhanden).
- Reinigen Sie das Gerät mit lauwarmem Wasser und einem weichen Tuch.
- Wenn nicht anders angegeben, stellen Sie das Gerät auf eine ebene und stabile Fläche.
- Vergewissern Sie sich, dass genügend Freiraum um das Gerät zur ausreichenden Belüftung vorhanden ist.
- Positionieren Sie das Gerät so, dass Sie immer einen guten Zugang zum Stecker haben.
- Stellen Sie sicher, dass der Eisbehälter und der Eisspachtel mitgeliefert sind. Wenn Sie irgendwelche Mängel feststellen, setzen Sie sich sofort mit dem Lieferanten in Verbindung.
- Reinigen Sie den Innenraum des Gerätes mit lauwarmem Wasser und einem weichen Tuch.
- Reinigen Sie den Eisbehälter.
- Setzen Sie das Gerät keiner direkten Sonneneinstrahlung aus oder stellen Sie es nicht in die Nähe einer Wärmequelle.
- Verwenden Sie das Gerät nicht innerhalb von 24 Stunden ab dem Tag, an dem es transportiert oder an einen anderen Ort gebracht wird.
- Bewahren Sie die Verpackung auf, wenn Sie Ihr Gerät in Zukunft lagern wollen.

## Hauptteile des Gerätes



1. EIN/AUS-Schalter mit eingebauter Kontrollleuchte (grün)
2. Display mit Kontrollleuchten mit verschiedenen Funktionen
3. Vorderes Steuerpanel
4. Schiebetür
5. Eisfach
6. Eisbehälter
7. Füllstandsensor des Eisbehälters
8. Stromkabel
9. Wasseranschluss
10. Öffnung der Ablaufleitung
11. Füße
12. Abdeckung der Ablauföffnung

## Steuerpanel



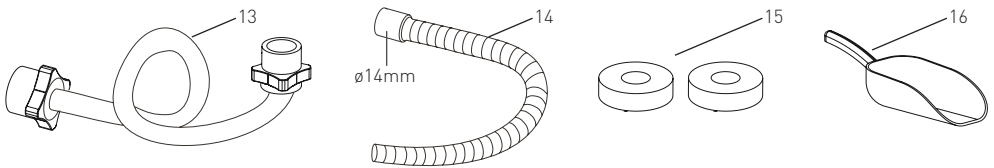
A). ❄️ : Kontrollleuchte für den Betrieb des Gerätes (grün)

B). ⚠️ : Kontrollleuchte für einen Fehler (rot)

C). 🚰 : Kontrollleuchte für die Befüllung des Behälters (gelb)

D). 💧 : Kontrollleuchte für einen niedrigen Wasserstand (gelb)

## Zubehör



13. Wasserzulaufleitung

14. Wasserablaufleitung

15. Zusätzliche Dichtungsscheiben x 2

16. Eisspachtel

DE

## Montage des Geräts

**Warnung:** Sämtliche Wartungs- und Montagearbeiten sowie die Reparatur des Geräts sollten ausschließlich durch qualifizierte, berechtigte Techniker durchgeführt werden.

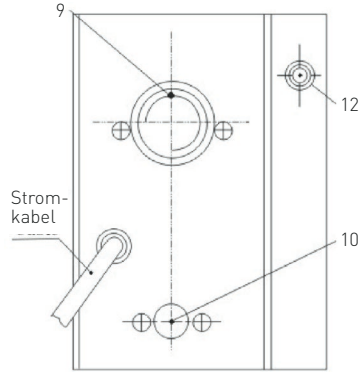
- Überprüfen Sie das Gerät auf Vollständigkeit und eventuelle Beschädigungen. Setzen Sie sich mit dem Lieferanten in Verbindung und verwenden Sie das Gerät NICHT, wenn Sie eine unvollständige Lieferung oder Beschädigungen festgestellt haben.
- Überprüfen Sie, ob alle Zubehörteile, wie z.B. Wasserzu- und -ablaufleitungen, 2 zusätzliche Dichtungsscheiben und ein Eisspachtel, enthalten sind.
- Entfernen Sie alle Verpackungselemente und die Schutzfolie (falls vorhanden).
- Stellen Sie das Gerät auf eine horizontale, stabile und geschützte Fläche, die das Gewicht des Gerätes tragen kann, unter Berücksichtigung des Gewichts des hergestellten zerstoßenen Eises.
- Setzen Sie das Gerät keiner direkten Sonneneinstrahlung aus oder stellen Sie es nicht in die Nähe einer Wärmequelle, z.B. Herd, Ofen usw.
- Achten Sie darauf, dass um das Gerät herum ein Freiraum von 15 cm für eine gute Belüftung vorhanden ist.
- Stellen Sie das Gerät an einer Stelle auf, an der der Stecker leicht zugänglich ist, damit es bei Bedarf schnell abgezogen werden kann.
- Stellen Sie das Gerät in die Nähe des Wasseranschlusses.



## Anschluss an den Wasseranschluss

**Warnung:** Schließen Sie das Gerät nur an einen kalten Trinkwasseranschluss an. Andernfalls muss vor der Inbetriebnahme des Gerätes ein Wasseraufbereitungssystem oder ein Filter installiert werden.

- Verbinden Sie ein Ende der Wasseranschlussleitung (13) mit einer 3/4" Wasserverschraubung zum Anschluss der Trinkwasserversorgung. Schließen Sie dann das andere Ende der Leitung hinten am Gerät (9) an, indem Sie es im Uhrzeigersinn anschrauben. Bringen Sie vor dem Anschließen die Dichtungsscheiben (15) auf beiden Seiten der Leitung an.
- Schließen Sie dann die Wasserablaufleitung (14) an die Öffnung (10) der Wasserablaufleitung hinten am Gerät mit einem Gummiring an. Schließen Sie das andere Ende der Leitung an den Abfluss zur Kanalisation/Wasserbehälter an. Der Abfluss zur Kanalisation/Wasserbehälter muss tiefer als das Gerät positioniert sein, damit das Wasser frei fließen kann.



**Achtung:** Eingangs-Wasserdruck: 1-8 kg/cm<sup>2</sup>. Ist der Wasserdruck höher, muss ein Druckminderer montiert werden.

## Betrieb

- Reinigen Sie vor der ersten Inbetriebnahme des Gerätes die Innen- und Außenflächen mit einem weichen, mit lauwarmem Wasser befeuchteten Tuch.
- Stellen Sie das Gerät an einem gut belüfteten Ort auf und lassen Sie mindestens 150 mm Freiraum um das Gerät herum für Lüftungszwecke.
- Lassen Sie das Gerät ca. eine Stunde lang stehen, um das Kältemittel richtig zu verteilen und zu stabilisieren. Vergewissern Sie sich, dass das Gerät ordnungsgemäß an das Wasserversorgungssystem angeschlossen ist.
- Schließen Sie dann das Gerät an die entsprechende Netzsteckdose an.
- Drücken Sie den EIN/AUS-Schalter (1) auf dem Steuerpanel, um das Gerät einzuschalten.
- Das Gerät saugt automatisch Wasser zur Reinigung der Innenteile an, und dann wird das Wasser abgelassen. Die 3 Kontrollleuchten "❄️", "⚠️" und "💧" leuchten auf und blinken für ca. 30 Sekunden.
- Der EIN/AUS-Schalter (1) leuchtet grün auf. Das Gerät beginnt zu arbeiten.
- Der Prozess der Herstellung von zerstoßenem Eis ist vollautomatisch und umfasst die folgenden Schritte: Wasseraufnahme =====> Herstellung von zerstoßenem Eis =====> Auswurf von zerstoßenem Eis =====> Aufbewahrung von zerstoßenem Eis.
- Schieben Sie die Tür (4) und nehmen Sie das Eis mit dem Spachtel (16) heraus.
- Wenn der Eisbehälter voll ist, leuchtet die Kontrollleuchte "❄️" gelb auf und wird die Arbeit am Gerät automatisch unterbrochen.
- Wenn zerstoßenes Eis entfernt werden, setzt das Gerät seine Produktion automatisch fort.
- Achtung: Entsorgen Sie aus hygienischen Gründen das im ersten Zyklus zerstoßene Eis nach jedem Start des Gerätes. Verwenden Sie sie nicht zum Kühlen von Getränken oder Speisen.
- Bei unzureichender Wasserversorgung leuchtet die Kontrollleuchte "💧" gelb auf und das Gerät wird automatisch gestoppt. Überprüfen Sie den Wasseranschluss (Leitung) an das Gerät.

- Bei irgendwelchen Fehlern oder Störungen leuchtet die Kontrollleuchte "⚠" rot auf und das Gerät wird automatisch gestoppt.
- Wenn das Gerät nicht in Gebrauch ist, schalten Sie es durch Drücken des EIN/AUS-Schalters [1] aus und trennen Sie es von der Stromversorgung.

#### Achtung:

- SCHALTEN SIE das Gerät NICHT sofort nach seinem automatischen Ausschalten wieder EIN (aufgrund von unzureichender Wasseraufnahme, vollem Behälter für zerstoßenes Eis oder Unter-

brechung der Stromversorgung). Warten Sie vor der erneuten Inbetriebnahme ca. 3-5 Minuten, um Schäden am Verdichter zu vermeiden.

- Überprüfen Sie regelmäßig den Anschluss der Wasserab- und -zulaufleitung auf Undichtigkeiten oder verschüttetes Wasser.
- Wird das Gerät über einen längeren Zeitraum nicht benutzt, schrauben Sie die Abdeckung der Ablauföffnung [12] hinten am Gerät ab. Wischen Sie den Wasserbehälter mit einem sauberen, trockenen Tuch ab.

## Reinigung und Wartung

**Warnung:** Vor der Reinigung, Reparatur oder Wartung des Geräts, ist es immer von der Steckdose zu trennen und dazu muss man abwarten, bis es abgekühlt ist. Sämtliche Wartungs- und Montagearbeiten sowie die Reparatur des Geräts sollten ausschließlich durch qualifizierte, berechnigte Techniker durchgeführt werden.

### Reinigung


- Reinigen Sie das Gerät nach jedem Gebrauch und nach einer längeren Stillstandzeit.
- Die Innen- und Außenflächen des Gerätes kann man mit einem feuchten Tuch mit einer geringen Menge eines Reinigungsmittels reinigen.
- Verwenden Sie zum Reinigen des Gerätes weder einen direkten Wasserstrahl, Dampfreiniger, noch tauchen Sie das gesamte Gerät in das Wasser.
- Reinigen Sie den Kondensator alle 2 - 3 Monate.
- Verwenden Sie zur Reinigung nur ein weiches Tuch - reinigen Sie nie das Gerät mit Reinigungsmitteln, die Scheuermittel enthalten, oder mit scheuernden Reinigern, da die Gefahr von Oberflächenbeschädigungen besteht.
- Nach der Reinigung wischen und polieren Sie die Oberfläche mit einem weichen und trockenen Tuch.

### Wartung

- Überprüfen Sie das Stromkabel regelmäßig auf Beschädigungen, um einen elektrischen Schlag zu vermeiden. Verwenden Sie das Gerät niemals, wenn das Stromkabel beschädigt ist. Das beschädigte Kabel muss sofort von einem qualifizierten und autorisierten Techniker ausgetauscht werden.
- Das Gerät darf nur von qualifizierten Technikern unter Verwendung von Original-Ersatzteilen und Zubehör repariert und gewartet werden. Versuchen Sie NICHT, das Gerät selbst zu reparieren.

## Fehlerbehebung

Sollte das Gerät nicht ordnungsgemäß funktionieren, überprüfen Sie bitte die nachfolgende Tabelle für eine Lösung. Sollten Sie das Problem noch immer nicht lösen können, wenden Sie sich bitte an den Lieferanten/Dienstleister.

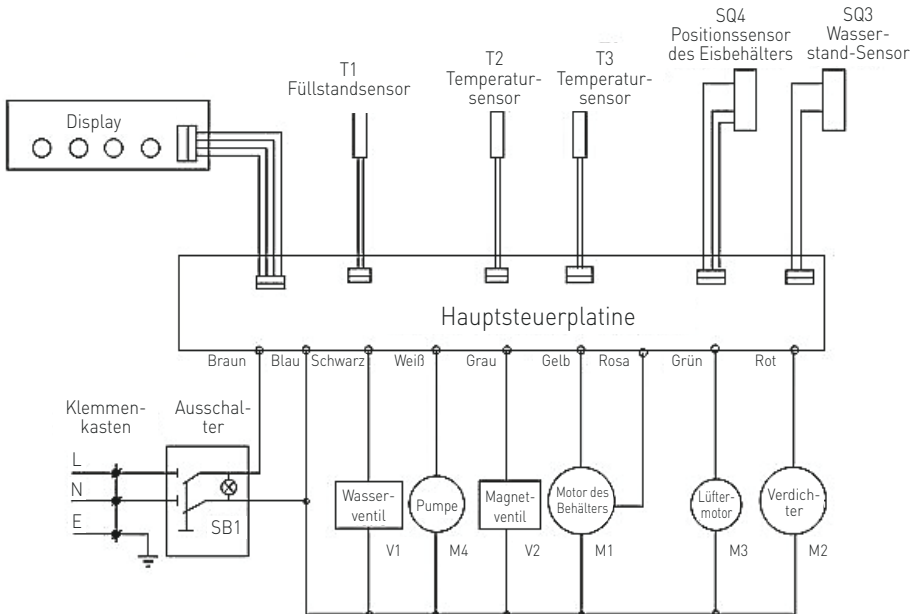
Problem	Mögliche Ursache	Lösungsvorschlag
Das Gerät funktioniert nicht.	<ul style="list-style-type: none"> <li>• Das Gerät ist ausgeschaltet.</li> <li>• Der Stecker ist nicht richtig an die Netzsteckdose angeschlossen.</li> </ul>	<ul style="list-style-type: none"> <li>• Schalten Sie das Gerät ein.</li> <li>• Prüfen Sie, ob der Stecker an die Netzsteckdose richtig angeschlossen ist.</li> </ul>
Der Verdichter funktioniert nicht.	<ul style="list-style-type: none"> <li>• Unzureichende Wasseraufnahme.</li> <li>• Der Behälter ist mit zerstoßenem Eis gefüllt.</li> </ul>	<ul style="list-style-type: none"> <li>• Überprüfen Sie den Anschluss des Wasserversorgungssystems. Wenn der Anschluss korrekt ist, setzen Sie das Gerät zurück.</li> <li>• Entfernen Sie einen Teil von Eis aus dem Behälter.</li> </ul>
Der Verdichter läuft, aber das Gerät produziert kein zerstoßenes Eis.	<ul style="list-style-type: none"> <li>• Kältemittelleckage.</li> <li>• Das Kühlsystem ist gesperrt.</li> </ul>	<ul style="list-style-type: none"> <li>• Setzen Sie sich mit dem Lieferanten in Verbindung.</li> </ul>
 Die Kontrollleuchte leuchtet.	<ul style="list-style-type: none"> <li>• Unzureichende Wasseraufnahme.</li> <li>• Das Wasserventil ist defekt.</li> <li>• Der Druck des aufgenommenen Wassers ist zu niedrig.</li> </ul>	<ul style="list-style-type: none"> <li>• Überprüfen Sie den Anschluss des Wasserversorgungssystems. Wenn der Anschluss korrekt ist, setzen Sie das Gerät zurück.</li> <li>• Setzen Sie sich mit dem Lieferanten in Verbindung.</li> <li>• Achten Sie darauf, dass der Druck des aufgenommenen Wassers mindestens 1kg/cm<sup>2</sup></li> </ul>
Die Kontrollleuchte B ist immer an	Der Getriebemotor ist defekt.	Setzen Sie sich mit dem Lieferanten in Verbindung.
	Die Hagelvorrichtung funktioniert nicht.	Setzen Sie sich mit dem Lieferanten in Verbindung.
	Der Kondensatorlüfter ist defekt.	Setzen Sie sich mit dem Lieferanten in Verbindung.
Die Kontrollleuchte B leuchtet 3 Mal alle 5 s auf	Der Eispegelsensor funktioniert nicht.	Setzen Sie sich mit dem Lieferanten in Verbindung.
Die Kontrollleuchte B leuchtet einmal alle 5 s auf	Der Wassertempersensord funktioniert nicht.	Setzen Sie sich mit dem Lieferanten in Verbindung.
Die Kontrollleuchte B leuchtet 2 Mal alle 5 s auf	Der Verflüssigersensor funktioniert nicht.	Setzen Sie sich mit dem Lieferanten in Verbindung.
Wasseraustritt	<ul style="list-style-type: none"> <li>• Der Wasserschlauch ist beschädigt.</li> <li>• Der Wassereingangsdruck ist zu hoch.</li> </ul>	<ul style="list-style-type: none"> <li>• Wechseln Sie den Wasserschlauch.</li> <li>• Prüfen und reduzieren Sie den Wassereingangsdruck.</li> </ul>
Stehendes Wasser im Eiswürfelagerraum	<ul style="list-style-type: none"> <li>• Der Abflussschlauch ist tiefer als der horizontale Wasserspiegel installiert.</li> <li>• Der Abflussschlauch ist verstopft.</li> </ul>	<ul style="list-style-type: none"> <li>• Stellen Sie die Höhe des Abflussschlauchs ein.</li> <li>• Wechseln Sie den Abflussschlauch.</li> </ul>

## Technische Spezifikation

Nr. des Produktes	271797
Betriebsspannung und Frequenz	220-240V~ 50Hz
Nennleistungsaufnahme	430W
Nennstrom	3A
Kältemittel / Menge des eingespritzten Mittels	R290 / 70g
Klimaklasse	ST (18 °C bis zu 38 °C)
Schutzklasse	Klasse I
Lärmpegel	< 60 dB (A)
Volumen des Eisbehälters	85 kg / 24 Stunden
Eisbehälter	20 kg
Nettogewicht (ca.)	58 kg
Abmessungen	548 x 612 x (H) 867 mm

Bemerkungen: Die Technische Spezifikation kann ohne frühere Ankündigung geändert werden.

## Elektrischer Schaltplan (Produkt 271797)



---

## **Garantie**

Alle innerhalb von einem Jahr nach dem Kaufdatum festgestellten Defekte oder Mängel, die die Funktionalität des Gerätes beeinträchtigen, werden auf dem Wege der unentgeltlichen Reparatur bzw. des Austausches unter der Voraussetzung beseitigt, dass das Gerät in einer der Bedienungsanleitung gemäßen Art und Weise betrieben und gewartet wird und weder vorsätzlich vernichtet noch nicht bestimmungsgemäß genutzt wurde. Ihre Rechte aus den entsprechenden Gesetzen

bleiben davon unberührt. Eine in der Garantiefrist einzureichende Beanstandung hat die Angabe des Kaufortes und Kaufdatums und in der Anlage einen Kaufbeleg (z.B. Kassenzettel) zu enthalten.

Gemäß unserer Politik der ständigen Weiterentwicklung unserer Produkte behalten wir uns vor, Änderungen am Produkt, an seiner Verpackung und an den dokumentierten technischen Daten ohne vorherige Ankündigung vorzunehmen.

---

## **Entsorgung und Umweltschutz**


Wird das Gerät außer Betrieb genommen, darf es nicht über den Hausmüll entsorgt werden. Der Benutzer ist für die Übergabe des Gerätes an eine geeignete Sammelstelle für Altgeräte verantwortlich. Die Nichteinhaltung dieser Regel kann gemäß den geltenden Vorschriften über die Abfallentsorgung bestraft werden. Die getrennte Sammlung und das Recycling der Altgeräte trägt zur Schonung der natürlichen Ressourcen bei und sorgt für eine umwelt- und gesundheitsschonende Verwertungsweise.

Weitere Informationen darüber, wo Sie Ihre Altgeräte entsorgen können, erhalten Sie bei Ihrem örtlichen Entsorgungsunternehmen. Der Hersteller und der Importeur übernehmen keine Verantwortung für das Recycling sowie die umweltfreundliche Verwertung von Abfällen, weder direkt noch über ein öffentliches System.

Geachte klant,

Bedankt voor de aanschaf van dit Arktic apparaat. Lees deze handleiding zorgvuldig door, met bijzondere aandacht voor de onderstaande veiligheidsvoorschriften, voordat u dit apparaat voor de eerste keer installeert en gebruikt.

## Veiligheidsvoorschriften

- Dit apparaat is bedoeld voor buffet en huishoudelijk gebruik.
- Gebruik het apparaat alleen voor het beoogde doel waarvoor het is ontworpen, zoals beschreven in deze handleiding.
- De fabrikant is niet aansprakelijk voor enige schade veroorzaakt door onjuist gebruik en onjuist gebruik.
- Houd het apparaat en de stekker uit de buurt van water en andere vloeistoffen. Als het apparaat in water valt, haal dan onmiddellijk de stekker uit het stopcontact. Gebruik het apparaat niet totdat het is gecontroleerd door een gecertificeerde technicus. Het niet volgen van deze instructies zal levensbedreigende risico's veroorzaken.
- Probeer nooit de behuizing van het apparaat zelf te openen.
- Plaats geen objecten in de behuizing van het apparaat.
- Raak de stekker niet aan met natte of vochtige handen.
-  **GEVAAR VOOR EEN ELEKTRISCHE SCHOK!** Probeer het apparaat niet zelf te repareren, reparaties mogen alleen worden uitgevoerd door gekwalificeerd personeel.
- **Gebruik nooit een beschadigd apparaat!** Wanneer het apparaat beschadigd is, koppelt u het apparaat los van het stopcontact en neemt u contact op met de detailhandelaar.
- **WAARSCHUWING!** Dompel de elektrische onderdelen van het apparaat niet onder in water of andere vloeistoffen.
- Houd het apparaat nooit onder stromend water.
- Controleer regelmatig de stekker en het snoer op eventuele schade. Bij beschadiging moet het worden vervangen door een serviceagent of een gelijkwaardig gekwalificeerd persoon om gevaar of letsel te voorkomen.
- Zorg ervoor dat het snoer niet in contact komt met scherpe of hete voorwerpen en houd het uit de buurt van open vuur. Trek nooit aan het netsnoer om het uit het stopcontact te halen, trek altijd aan de stekker.
- Zorg ervoor dat het netsnoer en/of het verlengsnoer geen struikelgevaar veroorzaken.
- Laat het apparaat nooit onbeheerd achter tijdens het gebruik.
- **WAARSCHUWING!** Zolang de stekker in het stopcontact zit, is het apparaat aangesloten op de stroombron.
- Schakel het toestel uit voordat u het uit het stopcontact haalt.
- Sluit de stekker aan op een gemakkelijk toegankelijk stopcontact, zodat het apparaat in geval van nood onmiddellijk kan worden losgekoppeld.
- Draag het apparaat nooit bij het snoer.
- Gebruik geen extra apparaten die niet samen met het apparaat worden geleverd.
- Sluit het apparaat alleen aan op een stopcontact met de spanning en frequentie vermeld op het etiket van het apparaat.

- Gebruik nooit andere accessoires dan die welke door de fabrikant worden aanbevolen. Als u dit niet doet, kan dit een veiligheidsrisico vormen voor de gebruiker en kan het apparaat beschadigen. Gebruik alleen originele onderdelen en accessoires.
- Dit apparaat mag niet worden gebruikt door personen met verminderde fysieke, zintuiglijke of mentale vermogens, of personen met een gebrek aan ervaring en kennis.
- Dit apparaat mag in geen geval door kinderen worden gebruikt.
- Houd het apparaat en het netsnoer buiten het bereik van kinderen.
- **WAARSCHUWING:** schakel het apparaat **ALTIJD** uit en haal de stekker uit het stopcontact voor reiniging, onderhoud of opslag.

---

## Bijzondere veiligheidsvoorschriften

- Dit apparaat is alleen bedoeld voor het maken van scherfijfs. Elk ander gebruik kan leiden tot schade aan het apparaat of lichamelijk letsel.
- Gebruik het apparaat alleen zoals beschreven in deze handleiding.
-  **LET OP! GEVAAR VOOR BRAND!** Het gebruikte koelmiddel is R290. Dit is een ontvlambaar koelmiddel dat milieuvriendelijk is. Hoewel het ontvlambaar is, beschadigt het de ozonlaag niet en het draagt niet bij aan het broeikaseffect. Het gebruik van het koelmiddel leidt echter wel tot een lichte toename van het geluidsniveau van het apparaat. Het is mogelijk dat u, naast het geluid van de compressor, ook het koelmiddel hoort stromen in het systeem. Dit is onvermijdelijk en heeft geen nadelig effect op de prestaties van het apparaat. Tijdens het transport en de installatie van het apparaat moet erop worden gelet dat er geen onderdelen van het koelsysteem worden beschadigd. Lekkend koelmiddel kan uw ogen schaden.
- Plaats het apparaat niet op een verwarmingsvoorwerp (kooktoestel op benzine, elektriciteit, houtskool, etc.) en houd het uit de buurt van hete oppervlakken en open vlammen. Gebruik het apparaat altijd op een horizontale, stabiele, schone, hittebestendige en droge ondergrond.
- Dit apparaat is niet bedoeld om gebruikt te worden in combinatie met een externe timer of apart afstandsbedieningssysteem.
- **WAARSCHUWING:** Houd alle ventilatieopeningen in de behuizing van het apparaat vrij.
- **WAARSCHUWING:** Gebruik alleen door de fabrikant aanbevolen mechanische apparaten of andere middelen om het ontdooiproces te versnellen.
- **WAARSCHUWING:** Beschadig het koelmiddelcircuit niet.
- **WAARSCHUWING:** Sluit alleen aan op drinkwatertoevoer.
- Bewaar geen explosieve stoffen zoals spuitbussen met brandbaar drijfgas in dit apparaat.
- Laat tijdens gebruik minimaal 15 cm ruimte vrij rond het apparaat voor ventilatie.
- Gebruik geen hard keukengerei om op het buitenoppervlak van het apparaat te slaan. Gebruik geen waterstralen of stoomreiniger en spoel niet rechtstreeks met water, omdat de onderdelen van de machine nat kunnen worden en dit kan leiden tot elektrische schokken.
- Niet blootstellen aan direct zonlicht. Vermijd mechanische schokken en trillingen.

- Verplaats of transporteer het apparaat altijd in een rechtopstaande positie om schade aan het apparaat te voorkomen.
- **LET OP!** Plaats het netsnoer indien nodig op een veilige manier om te voorkomen dat het netsnoer in contact kan komen met het verwarmingsoppervlak en dat er per ongeluk aan het netsnoer kan worden getrokken.
- Alleen reinigen en opbergen als het apparaat volledig is afgekoeld.
- Geen van de onderdelen zijn vaatwasmachinebestendig.

---

### Bedoeld gebruik

- Dit apparaat is bedoeld voor buffet en huishoudelijk gebruik.
- Dit apparaat is alleen ontworpen voor het maken van scherfijs. Elk ander gebruik kan leiden tot schade aan het apparaat of lichamelijk letsel.
- Gebruik van het apparaat voor andere doeleinden wordt beschouwd als verkeerd gebruik van het apparaat. De gebruiker is volledig aansprakelijk voor alle risico's die voortvloeien uit verkeerd gebruik van het apparaat.

---

### Aarding installatie

Dit apparaat is geclassificeerd als **beschermingsklasse I** en moet op een beschermende grond worden aangesloten. Aarding vermindert het risico op elektrische schokken door een ontsnappingsdraad voor de elektrische stroom aan te bieden. Dit ap-

paraat is uitgerust met een netsnoer met een aardingsdraad en geaarde stekker. De stekker moet worden aangesloten op een stopcontact dat correct is geïnstalleerd en geaard.

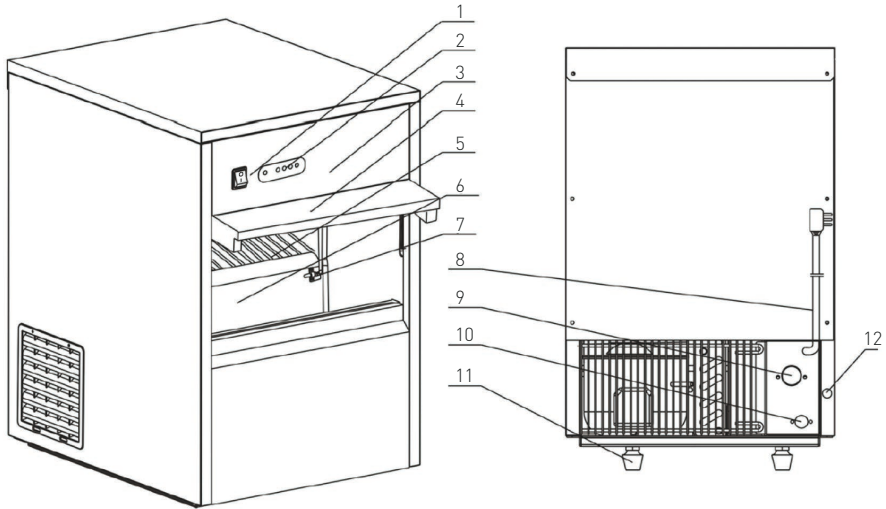
---

### Vorbereidingen voor het eerste gebruik

- Controleer of het apparaat onbeschadigd is. Neem in geval van schade onmiddellijk contact op met uw leverancier en gebruik het apparaat NIET.
- Verwijder alle verpakkingsmaterialen en het beschermingsfolie (indien van toepassing).
- Reinig het apparaat met lauw water en een zachte doek.
- Plaats het apparaat op een vlakke en stabiele ondergrond, tenzij anders vermeld.
- Zorg ervoor dat er voldoende ruimte vrij wordt gelaten rond het apparaat voor ventilatie.
- Plaats het apparaat zodanig dat de stekker te allen tijde bereikbaar is.
- Controleer of de ijsbak en ijschep zijn meegeleverd. Als er onderdelen ontbreken, neem dan contact op met uw leverancier.
- Reinig de binnenkant van het apparaat met lauw water en een zachte doek.
- Reinig de ijsbak.
- Plaats de ijsblokjesmachine niet in direct zonlicht of in de buurt van een hittebron.
- Laat de ijsblokjesmachine na transport of verplaatsing minimaal 24 uur rusten.
- Bewaar de verpakking als u uw apparaat in de toekomst wilt opbergen.



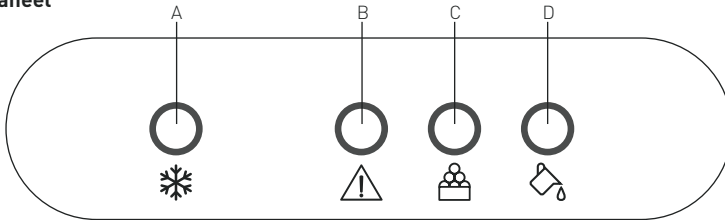
## Belangrijkste onderdelen van het apparaat



1. AAN / UIT-knop met ingebouwd indicatielampje (groen)
2. Display met indicatielampjes voor de verschillende functies
3. Voorpaneel
4. Schuifdeur
5. IJsrek
6. IJsopslagbak
7. IJscapaciteitssensor
8. Netsnoer
9. Inlaat watertoevoer
10. Gat afvoerslang
11. Voetjes
12. Afdekking afvoer

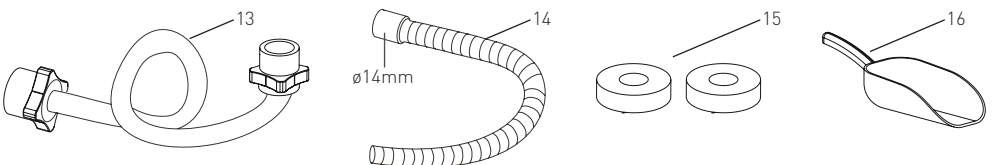
NL

## Bedieningspaneel



- A). ❄️ : Bedrijfsindicatielampje (groen)  
B). ⚠️ : Foutweergave (rood)  
C). 🛢️ : Opslagreservoir is vol (geel)  
D). 💧 : Waterniveau is te laag (geel)

## Accessoires



13. Watertoevoerslang
14. Waterafvoerslang
15. Reserve afdichttring x2
16. IJsschep

## Installatie van het apparaat

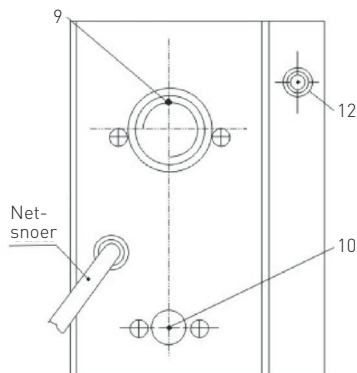
**Attentie:** Alle installatie-, onderhouds- en reparatiewerkzaamheden mogen alleen worden uitgevoerd door een gekwalificeerd en erkend technicus.

- Controleer of het apparaat onbeschadigd en compleet is geleverd. In het geval van schade of een onvolledige levering, gebruik het apparaat NIET en neem onmiddellijk contact op met de leverancier.
- Controleer of alle accessoires zoals de watertoevoerslang, waterafvoerslang, 2 reserve afdichtingen & ijsschep zijn meegeleverd.
- Verwijder alle verpakkingsmaterialen en het beschermingsfolie (indien van toepassing).
- Plaats het apparaat op een vlakke, stabiele en veilige ondergrond die het gewicht van het apparaat in combinatie met het scherfijds dat geproduceerd wordt tijdens gebruik kan dragen.
- Voorkom blootstelling aan direct zonlicht of directe warmtebronnen zoals een fornuis, oven, etc.
- Zorg ervoor dat er minimaal 15 cm ruimte wordt vrijgelaten rond het apparaat voor ventilatie.
- Plaats het apparaat zodanig dat de stekker te allen tijde bereikbaar is en snel uit het stopcontact kan worden getrokken in geval van nood.
- Installeer het apparaat in de buurt van een watertoevoeraansluiting.

## Aansluiting op de watertoevoer

**Attentie:** Het apparaat mag alleen worden aangesloten op een kouddrinkwatertoevoer. Als u dit niet doet, moet er eerst een reinigingssysteem of filter worden geïnstalleerd.

- Sluit één uiteinde van de watertoevoerslang (13) aan op de 3 / 4" schroefverbinding van de toevoer van de kraan om drinkwater te verkrijgen. Sluit vervolgens het andere uiteinde van deze slang aan op de achterkant van het apparaat (9) en draai met de klok mee vast. Zorg er vóór het aansluiten voor dat de afdichtingen (15) aan beide uiteinden worden aangebracht.
- Sluit vervolgens één uiteinde van de afvoerslang (14) met behulp van de rubberen afvoermanchet aan op de achterkant van het apparaat (10). Bevestig het andere uiteinde aan de rioolafvoer / waterbak. De rioolafvoer / waterbak moet zich op een lagere hoogte bevinden dan het apparaat, zodat het water naar buiten kan stromen.



**Opmerking:** Het drukbereik van het toevoerwater: 1- 8 kg/cm<sup>2</sup>. Er moet een drukregelaar worden geïnstalleerd als de druk buiten dit bereik ligt.

## Bediening

- Reinig de binnen- en buitenoppervlakken van het apparaat voor het eerste gebruik met lauw water en een zachte doek.
- Plaats het apparaat op een goed geventileerde plaats en laat minimaal 150 mm vrij rond het apparaat voor ventilatie.
- Laat het apparaat ongeveer een uur alleen staan om het koelmiddel te laten bezinken. Zorg ervoor dat het apparaat goed wordt aangesloten op het watertoevoersysteem.
- Steek daarna de stekker in een geschikt stopcontact.
- Druk op de AAN / UIT-knop (1) op het bedieningspaneel om het apparaat te starten.
- Het apparaat gebruikt vervolgens water om zich van binnen te reinigen en het water stroomt automatisch uit het apparaat. De 3 indicatielampjes "❄️", "⚠️" en "💧" lichten op & knipperen ongeveer 30 seconden.
- De AAN / UIT-knop (1) licht ook groen op. Het apparaat begint te werken.
- Het maken van scherfijls is een volledig automatisch proces, dat bestaat uit de volgende fasen: Watertoevoer ==> productie van scherfijls ==> uitwerpen van scherfijls ==> opslag van scherfijls.
- Druk vervolgens tegen de schuifdeur (4) en gebruik de ijsschep (16) om het ijs uit het apparaat te halen.
- Als de ijsopslagbak vol is, licht het indicatielampje "💧" geel op en het apparaat stopt automatisch met werken.
- Zodra het scherfijls uit het apparaat is gehaald, gaat het apparaat automatisch verder met het maken van scherfijls.

- **Opmerking:** Om sanitaire redenen moet u bij elk gebruik het scherfijls dat tijdens het eerste cyclus wordt gemaakt weggooien. Gebruik ze niet voor dranken of het koelen van voedsel.
- Als er onvoldoende watertoevoer is, zal het indicatielampje "💧" geel oplichten en het apparaat stopt automatisch met werken. Controleer de watertoevoer(slang) die is aangesloten op het apparaat.
- Als er een fout of storing optreedt, zal het indicatielampje "⚠️" rood oplichten en het apparaat stopt automatisch met werken.
- Schakel het apparaat UIT door op de AAN / UIT-knop (1) te drukken en trek de stekker uit het stopcontact wanneer het apparaat niet wordt gebruikt.

### Opmerkingen:

- Schakel het apparaat NIET direct in nadat het automatisch is uitgeschakeld (veroorzaakt door onvoldoende watertoevoer, een te volle scherfijlsbak of stroomonderbreking). Wacht ten minste 3 ~ 5 minuten om schade aan de compressor te voorkomen.
- Controleer de verbindingen van de watertoevoer- en -afvoerslang regelmatig op lekkage en controleer op het overlopen van aanwezig water.
- Als het apparaat gedurende een lange periode niet wordt gebruikt, schroef de afdekking van de afvoer (12) op de achterkant van het apparaat dan van het apparaat af. Veeg het waterreservoir droog met een droge, schone doek.

## Reiniging & onderhoud

**Attentie:** Trek de stekker van het apparaat altijd uit het stopcontact en laat het apparaat volledig afkoelen alvorens reinigings-, reparatie- of onderhoudswerkzaamheden uit te voeren. Al deze werkzaamheden mogen alleen worden uitgevoerd door een gekwalificeerd en erkend technicus.

### Reiniging


- Reinig het apparaat grondig na elk gebruik en na een lange periode.
- De buiten- en binnenoppervlakken mogen gereinigd worden met een vochtige doek en een beetje reinigingsmiddel.
- Gebruik geen waterstraal of stoomreiniger voor het reinigen en dompel de machine niet onder in water.
- Reinig de condensor elke 2 ~ 3 maanden.
- Gebruik alleen een zachte doek en zorg ervoor dat u nooit schuurmiddelen of schuursponsjes gebruikt die het oppervlak kunnen bekrassen.
- Na de reinigingsprocedure moet u een zachte en droge doek gebruiken om het oppervlak droog te vegen en op te poetsen.

### Onderhoud

- Controleer het netsnoer van tijd tot tijd op schade om elektrische schokken te voorkomen. Gebruik het apparaat nooit als het netsnoer is beschadigd. Een beschadigd netsnoer moet onmiddellijk worden vervangen door een gekwalificeerd en erkend technicus.
- Reparatie- en onderhoudswerkzaamheden mogen alleen worden uitgevoerd door een gekwalificeerd technicus en er moet gebruik worden gemaakt van originele reserve-onderdelen en accessoires. Probeer het apparaat NIET zelf te repareren.

## Problemen oplossen

Als het apparaat niet naar behoren functioneert, raadpleeg dan de onderstaande tabel voor een oplossing. Als u het probleem nog steeds niet kunt oplossen, neem contact op met de leverancier/dienstverlener.

Problemen	Mogelijke oorzaken	Mogelijke oplossing
Apparaat werkt niet.	<ul style="list-style-type: none"><li>• Apparaat is uitgeschakeld.</li><li>• De stekker is niet juist in het stopcontact gestoken.</li></ul>	<ul style="list-style-type: none"><li>• Schakel het apparaat in.</li><li>• Controleer of de stekker juist is aangesloten op het stopcontact.</li></ul>
Compressor werkt niet.	<ul style="list-style-type: none"><li>• Onzureichende Wasseraufnahme.</li><li>• Bak zit vol met ijs.</li></ul>	<ul style="list-style-type: none"><li>• Controleer het watertoevoersysteem. Start het apparaat opnieuw indien alles ok is.</li><li>• Haal wat ijs uit het apparaat.</li></ul>
Compressor werkt, maar er wordt geen scherfijns gemaakt.	<ul style="list-style-type: none"><li>• Koelmiddellekkage</li><li>• Het koelsysteem is verstopt.</li></ul>	<ul style="list-style-type: none"><li>• Neem contact op met de leverancier.</li></ul>
 Indicatielampje brandt	<ul style="list-style-type: none"><li>• Watertekort van watertoevoersysteem.</li><li>• Waterklep is beschadigd.</li><li>• Kraanwaterdruk is te laag.</li></ul>	<ul style="list-style-type: none"><li>• Controleer het watertoevoersysteem. Start het apparaat opnieuw indien alles ok is.</li><li>• Neem contact op met de leverancier.</li><li>• Zorg ervoor dat de kraanwaterdruk ten minste 1kg/cm<sup>2</sup> is.</li></ul>
Indicator B blijft constant branden	Tandwielmotor is defect.	Neem contact op met de leverancier.
	De ijsinrichting werkt niet.	Neem contact op met de leverancier.
	Condensorventilator is defect.	Neem contact op met de leverancier.
Indicator B brandt 3 keer per 5s	Ijspeilsensor werkt niet.	Neem contact op met de leverancier.
Indicator B brandt eenmaal per 5s	Watertemperatuursensor werkt niet.	Neem contact op met de leverancier.

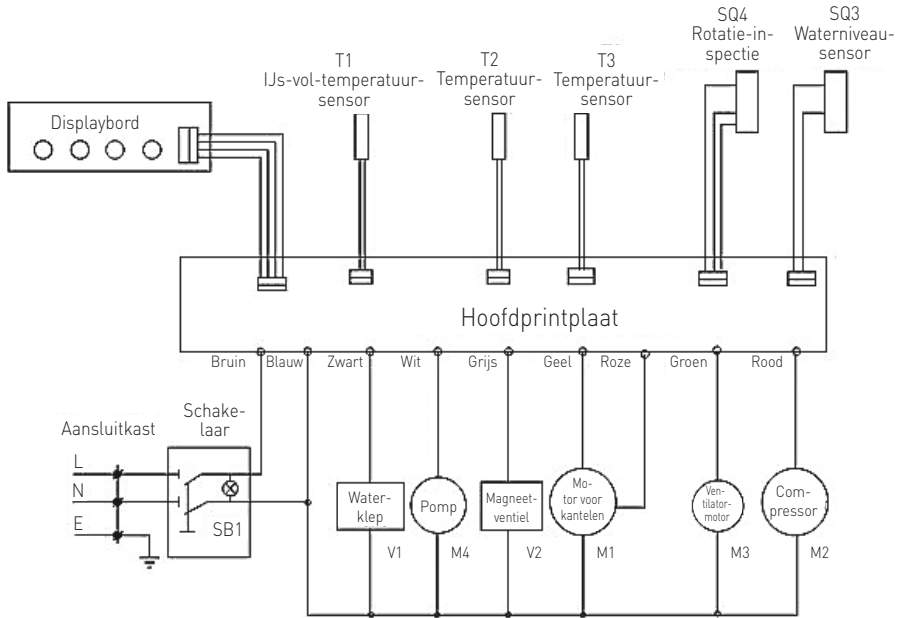
Indicator B brandt 2 keer per 5s	Condensatorsensor werkt niet.	Neem contact op met de leverancier.
Waterlekkage	<ul style="list-style-type: none"> <li>• De waterbuis is beschadigd.</li> <li>• De watertoevoerdruk is te hoog.</li> </ul>	<ul style="list-style-type: none"> <li>• Vervang de waterbuis.</li> <li>• Controleer en verlaag de watertoevoerdruk.</li> </ul>
Stilstaand water in de opslagruimte voor ijsblokjes	<ul style="list-style-type: none"> <li>• De afvoerbuis is lager geïnstalleerd dan het horizontale waterpeil.</li> <li>• De afvoerbuis is geblokkeerd.</li> </ul>	<ul style="list-style-type: none"> <li>• Pas de hoogte aan van de afvoerbuis.</li> <li>• Vervang de afvoerbuis.</li> </ul>

### Technische specificaties

Artikelnr.	271797
Bedrijfsspanning en frequentie	220-240V~ 50Hz
Nominaal ingangsvermogen	430W
Nominale stroom	3A
Gebruikt koelmiddel en injectiehoeveelheid	R290 / 70g
Klimaatklasse	ST (18°C tot 38°C)
Beschermingsklasse	Klasse I
Geluidsniveau	< 60 dB (A)
Ijsmaakcapaciteit	85 kg / 24 uur
Ijsreservoir	20 kg
Nettogewicht (ca.)	58 kg
Afmetingen	548 x 612 x (H) 867 mm

**Opmerking:** Technische specificaties onderhevig aan verandering zonder voorafgaande kennisgeving.

## Elektrisch schema (Artikelnr. 271797)



### Garantie

Elk defect waardoor de werking van het apparaat nadelig wordt beïnvloed dat zich binnen één jaar na aankoop van het apparaat voordoet, wordt gratis hersteld door reparatie of vervanging, mits het apparaat conform de instructies is gebruikt en onderhouden en niet op enigerlei wijze verkeerd is behandeld of misbruikt. Dit laat onverlet uw bij wet bepaalde rechten. Als de garantie van kracht is, vermeld dan waar en wanneer u het apparaat

hebt gekocht en sluit een aankoopbewijs bij (bijv. kassabon of factuur).

Gezien ons streven naar voortdurende verdere productontwikkeling behouden wij ons het recht voor, zonder voorafgaande kennisgeving wijzigingen aan te brengen aan product, verpakking en documentatie.

### Verwijdering & milieu

Bij de buitengebruikstelling van het apparaat, mag het niet met het overige huisafval worden verwijderd. In plaats daarvan is het uw verantwoordelijkheid om uw afgedankte apparatuur in te leveren bij een daartoe aangewezen inzamelpunt. Het niet opvolgen van deze regel kan worden bestraft in overeenstemming met de geldende voorschriften voor afvalverwerking. De gescheiden inzameling en recycling van uw afgedankte apparatuur ten tijde van buitengebruikstelling helpt bij de instandhouding van natuurlijke hulpbronnen en waarborgt dat de


apparatuur wordt gerecycled op een manier die de volksgezondheid en het milieu beschermt.

Voor meer informatie over waar u uw afval kunt inleveren voor recycling kunt u contact opnemen met uw lokale afvalverwerkingsbedrijf. De fabrikant en importeurs nemen geen verantwoordelijkheid voor de recycling, behandeling en ecologische verwijdering, hetzij rechtstreeks of via een openbaar systeem.

Drogi Kliencie,

Dziękujemy za zakup tego urządzenia Arctic. Przeczytaj uważnie tę instrukcję, zwracając szczególną uwagę na przepisy bezpieczeństwa przedstawione poniżej, przed zainstalowaniem i użytkowaniem tego urządzenia po raz pierwszy.

## Przepisy bezpieczeństwa

- Urządzenie przeznaczone do bufetu oraz do użytku domowego.
- Urządzenie należy używać wyłącznie zgodnie z przeznaczeniem, do którego zostało zaprojektowane zgodnie z opisem w niniejszej instrukcji.
- Producent nie ponosi odpowiedzialności za jakiegokolwiek szkody spowodowane nieprawidłowym działaniem i niewłaściwym użyciem.
- Przechowywać urządzenie i wtyczkę elektryczną z dala od wody i innych płynów. W przypadku, gdy urządzenie wpadnie do wody, natychmiast wyjmij wtyczkę zasilającą z gniazda. Nie używać urządzenia, dopóki nie zostanie sprawdzone przez certyfikowanego technika. Nieprzestrzeganie tych instrukcji spowoduje zagrożenie dla życia.
- Nigdy nie próbuj samodzielnie otwierać obudowy urządzenia.
- Nie wkładaj przedmiotów do obudowy urządzenia.
- Nie dotykać wtyczki mokrymi lub wilgotnymi dłońmi.
-  **NIEBEZPIECZEŃSTWO PORAŻENIA PRĄDEM!** Nie próbuj samodzielnie naprawiać urządzenia, naprawy mogą być wykonywane wyłącznie przez wykwalifikowany personel..
- **Nigdy nie używaj uszkodzonego urządzenia!** Po uszkodzeniu odłącz urządzenie od gniazda i skontaktuj się ze sprzedawcą.
- **OSTRZEŻENIE!** Nie zanurzaj części elektrycznych urządzenia w wodzie lub innych płynach.
- Nigdy nie trzymaj urządzenia pod bieżącą wodą.
- Regularnie sprawdzaj wtyczkę zasilającą i przewód pod kątem uszkodzeń. W przypadku uszkodzenia musi zostać zastąpiony przez agenta serwisowego lub podobnie wykwalifikowaną osobę w celu uniknięcia niebezpieczeństwa lub obrażeń.
- Upewnij się, że przewód nie styka się z ostrymi lub gorącymi przedmiotami i trzymaj go z dala od otwartego ognia. Nigdy nie pociągaj za przewód zasilający, aby odłączyć go od gniazda, zawsze za wtyczkę.
- Upewnij się, że przewód zasilający i/lub przedłużacz nie powodują zagrożenia przejazdem.
- Nigdy nie pozostawiaj urządzenia bez nadzoru podczas użytkowania.
- **OSTRZEŻENIE!** Dopóki wtyczka znajduje się w gnieździe, urządzenie jest podłączone do źródła zasilania.
- Wyłącz urządzenie przed odłączeniem go od gniazda.
- Podłącz wtyczkę do łatwo dostępnego gniazda elektrycznego, aby w nagłych wypadkach urządzenie mogło zostać natychmiast odłączone.
- Nigdy nie noś urządzenia za przewód.
- Nie należy używać żadnych dodatkowych urządzeń, które nie są dostarczane razem z urządzeniem.

PL

- Podłącz urządzenie tylko do gniazdka elektrycznego z napięciem i częstotliwością wymienioną na etykiecie urządzenia.
- Nigdy nie używaj akcesoriów innych niż zalecane przez producenta. Niezastosowanie się do tego może stanowić zagrożenie dla bezpieczeństwa użytkownika i spowodować uszkodzenie urządzenia. Używaj tylko oryginalnych części i akcesoriów.
- Urządzenie to nie powinno być obsługiwane przez osoby o ograniczonych możliwościach fizycznych, sensorycznych lub umysłowych, ani osoby, które mają brak doświadczenia i wiedzy.
- Urządzenie to w żadnym wypadku nie powinno być używane przez dzieci.
- Przechowywać urządzenie i jego przewód zasilający w miejscu niedostępnym dla dzieci.
- **OSTRZEŻENIE:** ZAWSZE wyłączyć urządzenie i odłączyć od gniazdka elektrycznego przed czyszczeniem, konserwacją lub przechowywaniem.

## Specjalne przepisy bezpieczeństwa

- Urządzenie przeznaczone jest wyłącznie do wytwarzania kruszonego lodu. Stosowanie urządzenia w jakimkolwiek innym celu może prowadzić do jego uszkodzenia lub do obrażeń ciała.
- Korzystaj z urządzenia wyłącznie zgodnie z niniejszą instrukcją.
-  **UWAGA! NIEBEZPIECZEŃSTWO POWSTANIA OGNI!** W urządzeniu wykorzystany jest czynnik chłodniczy R290. Jest to przyjazny dla środowiska łatwopalny czynnik chłodniczy. Chociaż czynnik jest łatwopalny, nie jest szkodliwy dla warstwy ozonowej i nie ma wpływu na efekt cieplarniany. Wykorzystanie tego czynnika chłodniczego prowadzi jednak do nieznacznego podwyższenia poziomu hałasu wytwarzanego przez urządzenie. Poza hałasem generowanym przez sprężarkę, użytkownik może usłyszeć dźwięk spowodowany przepływem czynnika chłodniczego. Powyższego zjawiska nie da się uniknąć i nie ma on negatywnego wpływu na funkcjonowanie urządzenia. Podczas transportu i ustawiania urządzenia należy zachować szczególną ostrożność, by nie uszkodzić żadnych części systemu chłodniczego. Wyciekający czynnik chłodniczy może prowadzić do uszkodzenia oczu.
- Nie umieszczaj urządzenia na obiekcie emitującym ciepło (kuchenka gazowa, elektryczna, grill, itp.). Przechowuj urządzenie z dala od jakichkolwiek gorących powierzchni lub otwartego płomienia. Urządzenie powinno zostać ustawione i być obsługiwane na równej, stabilnej, czystej i suchej powierzchni, odpornej na działanie wysokich temperatur.
- Urządzenie nie jest przystosowane do obsługi za pomocą zewnętrznego timera lub oddzielnego systemu zdalnego sterowania.
- **OSTRZEŻENIE:** Nie zastanawiaj otworów wentylacyjnych obudowy urządzenia.
- **OSTRZEŻENIE:** Nie używaj przyrządów mechanicznych ani narzędzi innych niż zalecane przez producenta w celu przyspieszenia procesu rozmrażania.
- **OSTRZEŻENIE:** Nie wolno doprowadzić do uszkodzenia obiegu czynnika chłodniczego.
- **OSTRZEŻENIE:** Podłącz jedynie do przenośnego źródła wody.



- Nie składuj substancji wybuchowych, np. pojemników z aerozolem wraz z łatwopalnym gazem znajdującym się w urządzeniu.
- Zapewnij co najmniej 15-centymetrową przestrzeń wokół urządzenia, celem umożliwienia odpowiedniej wentylacji podczas użytkowania.
- Nie uderzaj twardymi narzędziami w zewnętrzną powierzchnię urządzenia. Nie czyść urządzenia strumieniem wody pod ciśnieniem ani przy pomocy myjki parowej, nie sputuj urządzenia wodą, ponieważ doprowadzi to do zawilgocenia lub zamoczenia części wewnątrz urządzenia, co może skutkować porażeniem prądem.
- Zabezpiecz przed bezpośrednim działaniem światła słonecznego. Unikaj wstrząsów mechanicznych i wibracji urządzenia.
- Aby nie dopuścić do uszkodzenia urządzenia, zawsze przenoś i transportuj je w pozycji pionowej.
- **UWAGA!** Odpowiednio poprowadź i zabezpiecz przewód zasilający, aby zapobiec przypadkowemu pociągnięciu lub kontaktowi z nagrzaną powierzchnią.
- Nie czyść ani nie umieszczaj urządzenia w miejscu przechowywania, zanim całkowicie nie ostygnie.
- Części urządzenia nie mogą być myte w zmywarce.

---

#### Przeznaczenie

- Urządzenie przeznaczone do bufetu oraz do użytku domowego.
- Urządzenie przeznaczone jest wyłącznie do kruszenia lodu. Elk ander gebruik kan leiden tot schade aan het apparaat of lichamelijk letsel.
- Gebruik van het apparaat voor andere doeleinden wordt beschouwd als verkeerd gebruik van het apparaat. De gebruiker is volledig aansprakelijk voor alle risico's die voortvloeien uit verkeerd gebruik van het apparaat.

---

#### Instalacja uziemienia

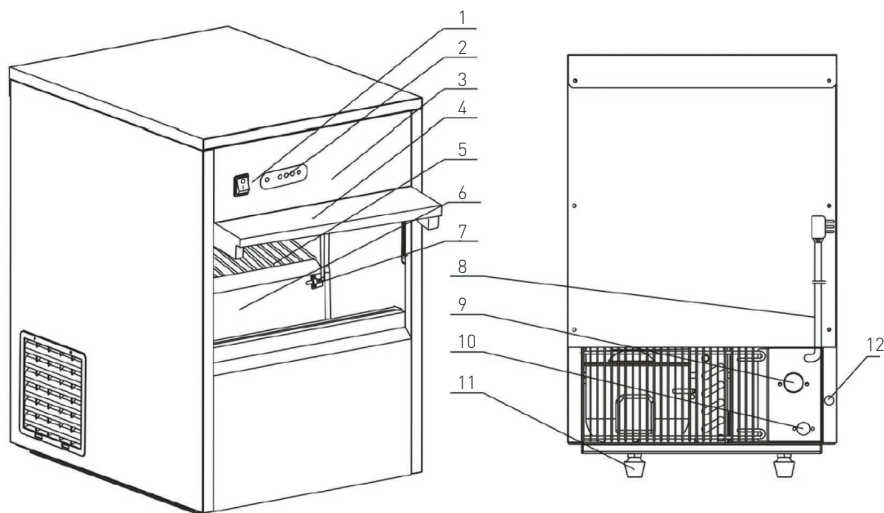
Urządzenie to jest klasyfikowane jako **klasa ochronny I** i musi być połączony z podłożem ochronnym. Uziemienie zmniejsza ryzyko porażenia prądem elektrycznym, dostarczając przewód ewakuacyjny dla prądu elektrycznego. To urządzenie jest wy-

posażone w przewód zasilający, który ma przewód uziemiający i uziemioną wtyczkę. Wtyczka musi być podłączona do gniazdka, które jest prawidłowo zainstalowane i uziemione.

## Przed pierwszym użyciem

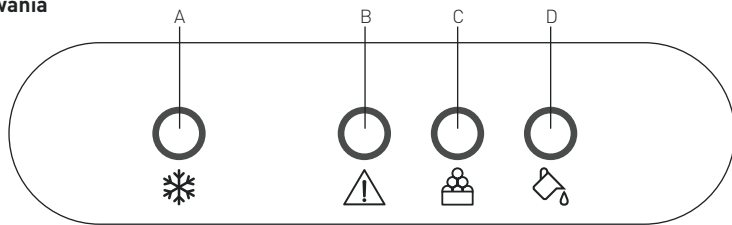
- Sprawdź, czy urządzenie nie jest uszkodzone. W przypadku jakichkolwiek uszkodzeń, niezwłocznie skontaktuj się z dostawcą i NIE uruchamiaj urządzenia.
- Zdejmij wszelkie elementy opakowania i folię ochronną (jeśli dotyczy).
- Przetrzyj urządzenie miękką szmatką zwilżoną w letniej wodzie.
- O ile nie zalecono inaczej, ustaw urządzenie na płaskim i stabilnym podłożu.
- Upewnij się, czy wokół urządzenia została zachowana odpowiednia przestrzeń w celu zapewnienia prawidłowej wentylacji.
- Ustaw urządzenie tak, aby mieć zawsze dobry dostęp do wtyczki.
- Upewnij się, czy do urządzenia dotychczasono pojemnik na lód i łopatkę do lodu. W przypadku stwierdzenia jakichkolwiek braków, niezwłocznie skontaktuj się z dostawcą.
- Przetrzyj wewnątrz urządzenia miękką szmatką zwilżoną letnią wodą.
- Wyczyść pojemnik na lód.
- Nie wystawiaj urządzenia na bezpośrednie działanie promieni słonecznych ani nie stawiaj w pobliżu źródła ciepła.
- Nie korzystaj z urządzenia w ciągu 24 godzin od dnia jej transportu lub przestawienia w inne miejsce.
- Zachowaj opakowanie na wypadek konieczności spakowania urządzenia w przyszłości.

## Główne części urządzenia



1. Przetącznik ON/OFF z wbudowaną lampką sygnalizacyjną (zieloną)
2. Wyświetlacz z lampkami sygnalizacyjnymi o różnych funkcjach
3. Panel przedni
4. Drzwi przesuwane
5. Półka na lód
6. Pojemnik na lód
7. Czujnik zapętnienia pojemnika na lód
8. Przewód zasilający
9. Przyłącze wody
10. Otwór przewodu odprowadzającego
11. Nóżki
12. Ostona otworu odprowadzającego

## Panel sterowania



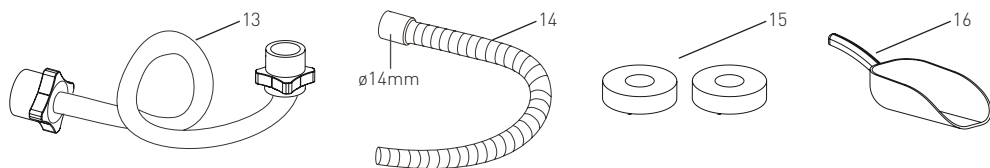
A). ❄️ : Lampka sygnalizująca pracę urządzenia (zielona).

B). ⚠️ : Lampka sygnalizująca błąd (czerwona).

C). 🏠 : Lampka sygnalizująca zapewnienie pojemnika (żółta)

D). 💧 : Lampka sygnalizująca niski poziom wody (żółta)

## Akcesoria



13. Przewód doprowadzania wody

14. Przewód odprowadzania wody

15. Dodatkowe podkładki uszczelniające x 2

16. Łopatka do lodu

## Montaż urządzenia

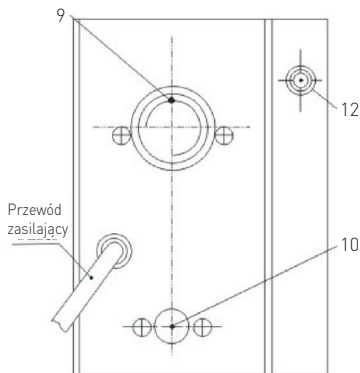
**Ostrzeżenie:** Wszelkie czynności montażowe, konserwacyjne oraz naprawa urządzenia powinny być przeprowadzane wyłącznie przez wykwalifikowanych, upoważnionych techników.

- Sprawdź urządzenie pod kątem kompletności oraz ewentualnych uszkodzeń. W przypadku niekompletnej dostawy lub uszkodzeń, NIE korzystaj z urządzenia i niezwłocznie skontaktuj się z dostawcą.
- Sprawdź, czy do urządzenia dołączone zostały wszystkie akcesoria, tj. przewody doprowadzania i odprowadzania wody, 2 dodatkowe podkładki uszczelniające i łopatka do lodu.
- Zdejmij wszelkie elementy opakowania i folię ochronną (jeśli dotyczy).
- Ustaw urządzenie na poziomej, stabilnej i zabezpieczonej powierzchni, która może unieść ciężar urządzenia, uwzględniając ciężar wytworzonego kruszonego lodu.
- Unikaj wystawiania urządzenia na bezpośrednie działanie promieni słonecznych oraz nie stawiaj w pobliżu źródła ciepła np. kuchenki, piekarnika itp.
- Upewnij się, czy wokół urządzenia została zachowana 15 cm wolna przestrzeń umożliwiająca prawidłową wentylację.
- Umieść urządzenie w miejscu, w którym zapewniony będzie łatwy dostęp do wtyczki, co umożliwi szybkie odłączenie z gniazdka w razie potrzeby.
- Ustaw urządzenie w pobliżu przyłącza wody.

## Podłączenie do przyłącza wody

**Ostrzeżenie:** Urządzenie należy podłączyć wyłącznie do przyłącza zimnej wody pitnej. W przeciwnym razie przed uruchomieniem urządzenia należy zamontować system oczyszczający wodę lub filtr.

- Podłącz jedną końcówkę przewodu przyłącza wody (13) do złącza śrubowego 3/4" wody, w celu podłączenia dopływu wody pitnej. Następnie podłącz drugą końcówkę przewodu z tyłu urządzenia (9), dokręcając ją zgodnie z ruchem wskazówek zegara. Przed podłączeniem umieść podkładki uszczelniające (15) po obu stronach przewodu.
- Następnie podłącz przewód odprowadzania wody (14) do otworu odprowadzania wody znajdującego z tyłu urządzenia (10) za pomocą gumowego pierścienia. Podłącz drugi koniec przewodu do odpływu do kanalizacji/zbiornika na wodę. Odpływ do kanalizacji/zbiornik na wodę musi być umieszczony niżej niż urządzenie, tak by woda mogła swobodnie spływać.



**Uwaga:** Zakres ciśnienia wody na wlocie: 1- 8 kg/cm<sup>2</sup>. Jeśli ciśnienie wody jest wyższe, należy zamontować reduktor ciśnienia.

## Eksplatacja

- Przed pierwszym użyciem urządzenia, wyczyść jego wewnętrzne i zewnętrzne powierzchnie miękką szmatką zwilżoną w letniej wodzie.
- Ustaw urządzenie w dobrze wentylowanym miejscu, pozostawiając co najmniej 150 mm przestrzeni wokół urządzenia w celach wentylacyjnych.
- Pozostaw urządzenie na ok. godzinę w celu prawidłowego rozprowadzenia i ustabilizowania czynnika chłodniczego. Upewnij się, czy urządzenie zostało prawidłowo podłączone do instalacji doprowadzania wody.
- Następnie podłącz urządzenie do odpowiedniego gniazdka sieciowego.
- Wciśnij przetącznik ON / OFF (1) znajdujący się na panelu sterowania, aby włączyć urządzenie.
- Urządzenie automatycznie pobierze wodę w celu czyszczenia elementów wewnętrznych, a następnie woda zostanie odprowadzona. Zapalą się 3 lampki sygnalizujące "❄️", "⚠️" i "💧" i będą migać przez ok. 30 sekund.
- Przetącznik ON / OFF (1) zostanie podświetlony na zielono. Urządzenie rozpocznie pracę.
- Proces wytwarzania kruszonego lodu jest całkowicie automatyczny i obejmuje przedstawione poniżej etapy: Pobranie wody ==> wytwarzanie

kruszonego lodu ==> wyrzut kruszonego lodu==> przechowanie kruszonego lodu.

- Przesuń drzwi (4) i za pomocą łopaty (16) wyjmij lód.
- Gdy pojemnik na lód się zapelni, lampka sygnalizacyjna "❄️" zapali się na żółto i urządzenie automatycznie przerwie pracę.
- Po wyjęciu kruszonego lodu, urządzenie automatycznie wznowi jego wytwarzanie.
- **Uwaga:** Ze względów higienicznych, wyrzuć kruszony lód wytworzony w pierwszym cyklu po każdym uruchomieniu urządzenia. Nie używaj ich do schładzania napojów lub żywności.
- Jeśli doprowadzana ilość wody jest niewystarczająca, lampka sygnalizacyjna "💧" zapali się na żółto i urządzenie automatycznie wstrzyma pracę. Sprawdź podłączenie wody (przewód) do urządzenia.
- W przypadku jakichkolwiek błędów lub usterek, lampka sygnalizacyjna "⚠️" zapali się na czerwono i urządzenie automatycznie wstrzyma pracę.
- W przypadku niekorzystania z urządzenia, wytnij je wciskając przetącznik ON / OFF (1) i odłącz od źródła zasilania.

### Uwaga:

- NIE WŁĄCZAJ ponownie urządzenia od razu po jego automatycznym wyłączeniu (ze względu na niewystarczający pobór wody, zapętnienie pojemnika na kruszony lód lub przerwę w zasilaniu). Przed ponownym uruchomieniem odczekaj ok. 3-5 minut, aby nie uszkodzić sprężarki.
- Regularnie sprawdzaj podłączenie węża odprowadzającego i doprowadzającego wodę pod kątem ewentualnych wycieków lub rozlanej wody.
- Jeśli urządzenie nie jest eksploatowane przez dłuższy czas, odkręć ostonę otworu odprowadzania wody [12] znajdującego się z tyłu urządzenia. Wytrzyj zbiornik na wodę za pomocą suchej, czystszej ściereczki.

---

## Czyszczenie i konserwacja

**Ostrzeżenie:** Przed rozpoczęciem czyszczenia, naprawy lub konserwacji zawsze wyłącz urządzenie z gniazdka i odczekaj, aż ostygnie. Wszelkie czynności montażowe, konserwacyjne oraz naprawa urządzenia powinny być przeprowadzane przez wyłącznie przez wykwalifikowanych, upoważnionych techników.

### Czyszczenie


- Umyj urządzenie po każdym użyciu i po dłuższym okresie wyłączenia z eksploatacji.
- Powierzchnie wewnętrzne i zewnętrzne urządzenia można czyścić przy pomocy wilgotnej ściereczki z niewielką ilością detergentu.
- Do czyszczenia urządzenia nie używaj bezpośredniego strumienia wody, myjki parowej, ani nie zanurzaj całego urządzenia w wodzie.
- Skraplacz czyść co 2 - 3 miesiące.
- Do czyszczenia używaj wyłącznie miękkiej ściereczki - nigdy nie czyść urządzenia detergentami zawierającymi środki ścierne lub ściernymi myjkami ze względu na ryzyko uszkodzenia powierzchni.
- Po umyciu, wytrzyj i wypoleruj powierzchnię urządzenia miękką i suchą szmatką.

### Konserwacja

- Okresowo sprawdzaj przewód zasilający pod kątem uszkodzeń, aby nie dopuścić do porażenia prądem. Nigdy nie korzystaj z urządzenia, jeśli przewód zasilający jest uszkodzony. Uszkodzony przewód powinien zostać niezwłocznie wymieniony przez wykwalifikowanego i autoryzowanego technika.
- Urządzenie powinno być naprawiane i konserwowane wyłącznie przez wykwalifikowanych techników z wykorzystaniem oryginalnych części zamiennych i akcesoriów. NIE próbuj samodzielnie naprawiać urządzenia.

## Rozwiązywanie problemów

Jeśli urządzenie nie działa prawidłowo, zapoznaj się z poniższą tabelą w celu znalezienia prawidłowego rozwiązania. Jeśli nadal nie możesz rozwiązać problemu, skontaktuj się z dostawcą.

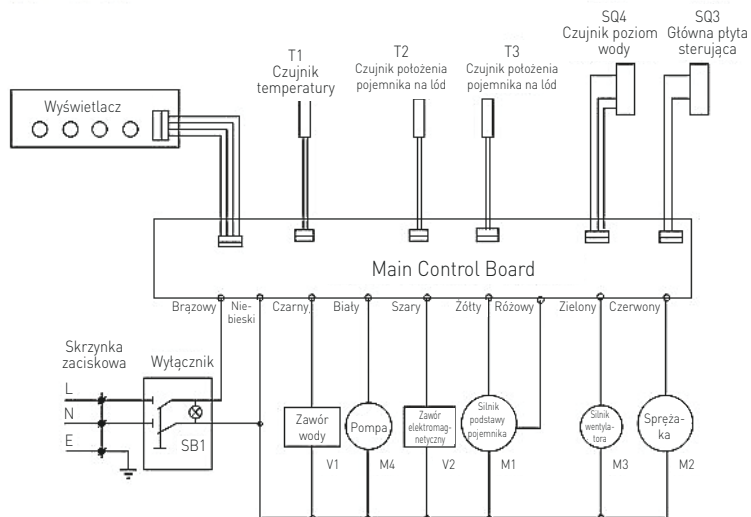
Problem	Możliwa przyczyna	Możliwe rozwiązanie
Urządzenie nie działa.	<ul style="list-style-type: none"> <li>• Urządzenie jest wyłączone.</li> <li>• Wtyczka nie jest prawidłowo podłączona do gniazdka sieciowego.</li> </ul>	<ul style="list-style-type: none"> <li>• Włącz urządzenie.</li> <li>• Sprawdź, czy wtyczka jest prawidłowo podłączona do gniazdka sieciowego.</li> </ul>
Sprężarka nie działa.	<ul style="list-style-type: none"> <li>• Niewystarczająca ilość pobieranej wody.</li> <li>• Pojemnik jest zapełniony kruszonym lodem.</li> </ul>	<ul style="list-style-type: none"> <li>• Sprawdź podłączenie instalacji doprowadzania wody. Jeśli podłączenie jest prawidłowe, zresetuj urządzenie.</li> <li>• Wyjmij część lodu z pojemnika.</li> </ul>
Sprężarka pracuje, jednak urządzenie nie wytwarza kruszonego lodu.	<ul style="list-style-type: none"> <li>• Wyciek czynnika chłodniczego.</li> <li>• System chłodzący jest zablokowany.</li> </ul>	<ul style="list-style-type: none"> <li>• Skontaktuj się z dostawcą.</li> </ul>
 Zapalona lampka sygnalizacyjna.	<ul style="list-style-type: none"> <li>• Niewystarczająca ilość pobieranej wody.</li> <li>• Uszkodzony zawór wody.</li> <li>• Ciśnienie pobieranej wody jest zbyt niskie.</li> </ul>	<ul style="list-style-type: none"> <li>• Sprawdź podłączenie instalacji doprowadzania wody. Jeśli podłączenie jest prawidłowe, zresetuj urządzenie.</li> <li>• Skontaktuj się z dostawcą.</li> <li>• Upewnij się, czy ciśnienie pobieranej wody wynosi co najmniej 1kg/cm<sup>2</sup>.</li> </ul>
Wskaźnik B jest zawsze włączony	Motoreduktor jest uszkodzony.	Skontaktuj się z dostawcą.
	Urządzenie gradowe nie działa.	Skontaktuj się z dostawcą.
	Wentylator kondensatora jest uszkodzony.	Skontaktuj się z dostawcą.
Wskaźnik B miga 3 razy na 5 sek.	Czujnik poziomu lodu nie działa.	Skontaktuj się z dostawcą.
Wskaźnik B miga raz na 5 sek.	Czujnik temperatury wody nie działa.	Skontaktuj się z dostawcą.
Wskaźnik B miga 2 razy na 5 sek.	Czujnik skraplacza nie działa.	Skontaktuj się z dostawcą.
Wyciek wody	<ul style="list-style-type: none"> <li>• Rura wodna jest uszkodzona.</li> <li>• Ciśnienie na doływie wody jest za wysokie.</li> </ul>	<ul style="list-style-type: none"> <li>• Wymienić rurę wodną.</li> <li>• Sprawdzić i zmniejszyć ciśnienie na doływie wody.</li> </ul>
Stojąca wody w magazynie kostek lodu	<ul style="list-style-type: none"> <li>• Instalacja rury spustowej jest niżej niż poziomy poziom wody.</li> <li>• Rura spustowa jest zatkana.</li> </ul>	<ul style="list-style-type: none"> <li>• Ustawić wysokość rury spustowej.</li> <li>• Wymienić rurkę spustową.</li> </ul>

## Specyfikacja techniczna

Nr produktu	271797
Napięcie robocze i częstotliwość	220-240V~ 50Hz
Znamionowy pobór mocy	430W
Prąd znamionowy	3A
Czynnik chłodniczy / ilość wtryskiwanego czynnika	R290 / 70g
Klasa klimatyczna	ST (18°C do 38°C)
Klasa ochronności	Klasa I
Poziom hałasu	< 60 dB (A)
Pojemność zbiornika na lód	85 kg / 24 godzin
Zbiornik na lód	20 kg
Waga netto (ok.)	58 kg
Wymiary	548 x 612 x (H) 867 mm

**Uwaga:** Specyfikacja techniczna może ulec zmianie bez uprzedzenia.

## Schemat elektryczny (Nr produktu: 271797)



## Gwarancja

Każda wada bądź usterka powodująca niewłaściwe funkcjonowanie urządzenia, która ujawni się w ciągu jednego roku od daty zakupu, zostanie bezpłatnie usunięta lub urządzenie zostanie wymienione na nowe, o ile było użytkowane i konserwowane zgodnie z instrukcją obsługi i nie było wykorzystywane w niewłaściwy sposób lub niezgodnie z przeznaczeniem. Postanowienie to w żadnej mierze nie narusza innych praw użytkownika wynikających z przepisów prawa. W przypadku zgłoszenia urzą-

żenia do naprawy lub wymiany w ramach gwarancji należy podać miejsce i datę zakupu urządzenia i dołączyć dowód zakupu (np. paragon).

Zgodnie z naszą polityką ciągłego doskonalenia wyrobów zastrzegamy sobie prawo do wprowadzania bez uprzedzenia zmian w wyrobie, opakowaniu oraz danych technicznych podawanych w dokumentacji.

## Wycofanie z użytkowania i ochrona środowiska

### Pamiętaj!

**Nie wyrzucaj zużytego sprzętu łącznie z innymi odpadami**

**Nie demontuj zużytych urządzeń zawierających niebezpieczne składniki na własną rękę!**

**Grożą Ci za to kary grzywny!**

Po zakończeniu eksploatacji produktu nie wolno gromadzić razem z odpadami komunalnymi, tylko należy odstawić do punktu odbioru odpadów elektrycznych i elektronicznych. Użytkownik ponosi odpowiedzialność za przekazanie wycofanego z użytkowania urządzenia do punktu gospodarowania odpadami. Nieprzestrzeganie tej zasady może być karane zgodnie z lokalnie obowiązującymi przepisami dotyczącymi gospodarowania odpadami. Jeśli urządzenie wycofane z użytkowania jest poprawnie odebrane jako osobny odpad, może zostać przetworzone i zutylizowane w sposób przyjazny dla środowiska, co zmniejsza negatywny wpływ na środowisko i zdrowie ludzi. Aby uzyskać więcej informacji dotyczących dostępnych usług w zakresie odbioru odpadów, należy skontaktować się z lokalną firmą odbierającą odpady.



**Symbol przekreślonego kosza na śmieci oznacza, że tego produktu nie wolno wyrzucać do zwykłych pojemników na odpady.**

Zużyte urządzenia elektryczne i elektroniczne mogą zawierać niebezpieczne składniki np. rtęć, ołów, kadm lub freon. Jeśli tego typu substancje przedostaną się w sposób niekontrolowany do środowiska, spowodują skażenie wody i gleby, a także wpłyną niekorzystnie na zdrowie ludzi i zwierząt.

Właściwe postępowanie ze zużytym sprzętem zapobiega potencjalnym negatywnym konsekwencjom dla środowiska naturalnego i ludzkiego zdrowia.

Jednocześnie oszczędzamy naturalne zasoby naszej Ziemi wykorzystując powtórnie surowce uzyskane z przetwarzania sprzętu.




Cher client,

Merci d'avoir acheté cet appareil Arktic. Lisez attentivement ce manuel, en accordant une attention particulière aux règles de sécurité décrites ci-dessous, avant d'installer et d'utiliser cet appareil pour la première fois.

---

## Règlement sur la sécurité

- Cet appareil est destiné pour des buffets et à un usage domestique.
- N'utilisez l'appareil qu'aux fins prévues pour lesquelles il a été conçu comme décrit dans le présent manuel.
- Le fabricant n'est pas responsable des dommages causés par un mauvais fonctionnement et une mauvaise utilisation.
- Gardez l'appareil et la prise électrique à l'écart de l'eau et des autres liquides. Dans le cas où l'appareil tombe dans l'eau, retirez immédiatement la prise d'alimentation de la prise. N'utilisez pas l'apppliance tant qu'elle n'a pas été vérifiée par un technicien certifié. Si vous ne respectez pas ces instructions, vous risquez de mettre la vie en danger.
- N'essayez jamais d'ouvrir le boîtier de l'appareil par vous-même.
- N'insérez pas d'objets dans le boîtier de l'appareil.
- Ne touchez pas la prise avec les mains mouillées ou humides.
-  **DANGER DE CHOC ÉLECTRIQUE!** N'essayez pas de réparer l'appareil par vous-même, les réparations doivent être effectuées uniquement par du personnel qualifié.
- **N'utilisez jamais un appareil endommagé!** Lorsqu'il est endommagé, débranchez l'appareil de la prise et contactez le détaillant.
- **AVERTISSEMENT!** Ne pas immerger les parties électriques de l'appareil dans de l'eau ou d'autres liquides.
- Ne tenez jamais l'appareil sous l'eau courante.
- Vérifiez régulièrement la prise d'alimentation et le cordon pour tout dommage. Lorsqu'il est endommagé, il doit être remplacé par un agent de service ou une personne qualifiée de la même manière afin d'éviter un danger ou une blessure.
- Assurez-vous que le cordon n'entre pas en contact avec des objets tranchants ou chauds et maintenez-le à l'écart du feu ouvert. Ne tirez jamais le cordon d'alimentation pour le débrancher de la prise, tirez toujours la prise à la place.
- Assurez-vous que le cordon d'alimentation et/ou le rallonge ne présentent pas de risque de déclenchement.
- Ne laissez jamais l'apppliance sans surveillance pendant l'utilisation.
- **AVERTISSEMENT!** Tant que la prise est dans la prise, l'apppliance est connectée à la source d'alimentation.
- Éteignez l'apppliance avant de le débrancher de la prise.
- Connectez la prise d'alimentation à une prise électrique facilement accessible afin qu'en cas d'urgence l'appareil puisse être débranché immédiatement.
- Ne portez jamais l'appareil par le cordon.
- N'utilisez pas de périphériques supplémentaires qui ne sont pas fournis avec la solution matérielle-logicielle.

FR

- Connectez uniquement l'appareil à une prise électrique dont la tension et la fréquence sont indiquées sur l'étiquette de l'appareil.
- N'utilisez jamais d'accessoires autres que ceux recommandés par le fabricant. Le fait de ne pas le faire pourrait présenter un risque pour la sécurité de l'utilisateur et pourrait endommager l'appareil. Utilisez uniquement des pièces et accessoires d'origine.
- Cet appareil ne doit pas être utilisé par des personnes ayant des capacités physiques, sensorielles ou mentales réduites, ou par des personnes qui ont un manque d'expérience et de connaissances.
- Cet appareil ne doit en aucun cas être utilisé par des enfants.
- Gardez l'appareil et son cordon d'alimentation hors de portée des enfants.
- **ATTENTION:** éteignez TOUJOURS l'appareil et débranchez de la prise d'alimentation avant le nettoyage, l'entretien ou le stockage.

## Règlement spécial sur la sécurité

- L'appareil est destiné uniquement à la fabrication de la glaces pilée. L'utilisation de l'appareil à d'autres fins peut entraîner les dommages ou les blessures.
- Utilisez l'appareil uniquement conformément aux présentes instructions.



**ATTENTION ! RISQUE D'INCENDIE !** Dans l'appareil est utilisé le réfrigérant R290. C'est un réfrigérant inflammable respectueux de l'environnement. Bien qu'il soit inflammable, il n'est pas dangereux pour la couche d'ozone et il n'affecte pas l'effet de serre. Cependant, l'utilisation de ce réfrigérant provoque une légère augmentation du niveau de bruit produit par l'appareil. En outre du bruit généré par le compresseur, l'utilisateur peut entendre un bruit provoqué par le flux de réfrigérant. Le phénomène décrit ci-dessus est inévitable mais il ne provoque aucun impact négatif sur le fonctionnement de l'appareil. Pendant le transport et l'installation de l'appareil, il faut garder des précautions particulières pour ne pas endommager les pièces du système de réfrigération. La fuite du réfrigérant peut causer les lésions oculaires.

- Ne placez pas l'appareil sur un objet émettant de la chaleur (cuisinière à gaz, cuisinière électrique, barbecue, etc.). Gardez l'appareil à l'écart de toute surface chaude ou des flammes nues. L'appareil doit être installé et utilisé sur une surface plane, stable, propre et sèche, résistant aux températures élevées.
- L'appareil n'est pas conçu pour être utilisé avec une minuterie externe ou un système de télécommande séparé.
- **AVERTISSEMENT:** Ne couvrez pas les ouvertures de ventilation sur le boîtier.
- **AVERTISSEMENT:** N'utilisez pas d'appareils mécaniques ou d'outils autres que ceux recommandés par le fabricant pour accélérer le processus de dégivrage.
- **AVERTISSEMENT:** Faites attention à ne pas endommager le circuit du réfrigérant.
- **AVERTISSEMENT:** Branchez uniquement à une source d'eau portable.
- Ne stockez pas des substances explosives, telles que les aérosols avec des gaz inflammables qui se trouvent dans l'appareil.

- Assurez au moins 15 centimètres d'espace autour de l'appareil pour garantir une ventilation adéquate pendant l'utilisation.
- Ne frappez pas à l'extérieur du surface de l'appareil avec les outils durs. Ne nettoyez pas l'appareil avec un jet d'eau sous pressions, ni à l'aide d'un nettoyeur vapeur, ne rincez pas l'appareil avec l'eau parce que cela provoque l'humidité des pièces à l'intérieur de l'appareil ce qui peut entraîner un choc électrique.
- Protégez du soleil. Évitez les chocs mécaniques et les vibrations de l'appareil.
- Pour éviter l'endommagement de l'appareil, déplacez et transportez-le toujours en position verticale.
- Attention ! Faites passer et fixez correctement le câble d'alimentation pour éviter une traction accidentelle ou un contact avec la surface chauffée.
- Ne nettoyez pas et ne placez pas l'appareil dans un lieu de stockage jusqu'à ce qu'il ne soit pas complètement refroidi.
- Les pièces de l'appareil ne peuvent pas être nettoyées dans la lave-vaisselle.

---

### Utilisation prévue

- Cet appareil est destiné pour des buffets et à un usage domestique.
- L'appareil est destiné uniquement à la fabrication de la glaces pilée. L'utilisation de l'appareil à d'autres fins peut entraîner des dommages ou des blessures.
- L'utilisation de l'appareil à d'autres fins sera considérée comme une utilisation inappropriée. L'utilisateur sera seul responsable de l'utilisation incorrecte de l'appareil.

---

### Installation de mise à la terre

Cet appareil est classé dans la **classe de protection I** et doit être raccordé à un sol de protection. La mise à la terre réduit le risque de choc électrique en fournissant un fil d'évacuation pour le courant électrique. Cet appareil est équipé d'un cordon

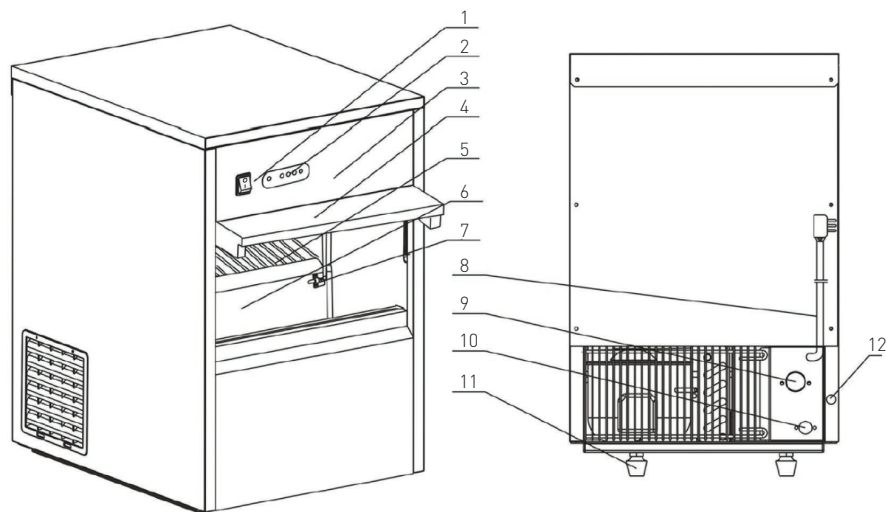
d'alimentation muni d'un fil de mise à la terre et d'une prise mise à la terre. La fiche doit être branchée sur une prise correctement installée et mise à la terre.

---

### Avant la première utilisation

- Vérifiez si l'appareil n'est pas endommagé. En cas de toute défaillance, contactez immédiatement le fournisseur et NE DÉMARREZ PAS l'appareil.
- Retirez le matériel de l'emballage et le film de protection (le cas échéant).
- Essuyez l'appareil avec un chiffon doux trempé d'eau tiède.
- Sauf indication contraire, placez l'appareil sur une surface plane et stable.
- Assurez-vous qu'il y a suffisamment d'espace autour de l'appareil pour assurer une ventilation adéquate.
- Placez l'appareil de sorte que vous ayez toujours un bon accès à la prise.
- Assurez-vous que l'appareil est équipé d'un panier à glaçons et d'une pelle à glaçons. À défaut, contactez immédiatement le fournisseur.
- Essuyez l'intérieur de l'appareil avec un chiffon doux trempé d'eau tiède.
- Nettoyez le panier à glaçons.
- N'exposez pas l'appareil au soleil et ne le placez pas près d'une source de chaleur.
- N'utilisez pas l'appareil pendant les 24 heures à compter du jour de sa livraison ou de son déplacement.
- Conservez l'emballage si vous avez l'intention de stocker votre appareil à l'avenir.

## Les principales pièces de l'appareil

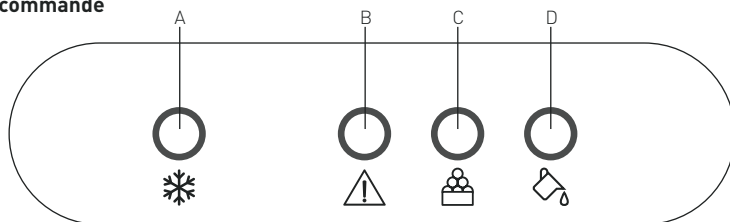


1. Bouton ON/OFF avec voyant intégré (vert)
2. Écran avec les voyants intégrés de diverses fonctions
3. Panneau avant
4. Porte coulissante
5. Bac à glaçons
6. Panier à glaçons

7. Indicateur que le panier à glaçon est plein
8. Câble d'alimentation
9. Raccordement d'eau
10. Ouverture du tuyau d'évacuation
11. Pieds
12. Couverture du tuyau d'évacuation

FR

## Panneau de commande



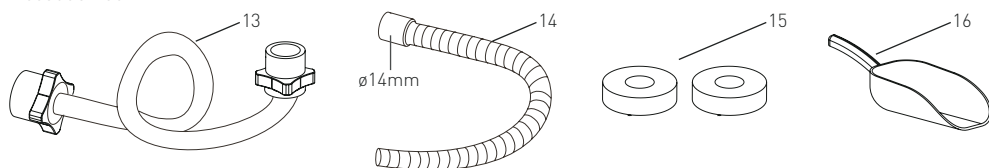
A). ❄️ : Voyant qui signale le fonctionnement de l'appareil (vert).

B). ⚠️ : Voyant qui signale une erreur (rouge).

C). 🧊 : Voyant qui signale que le panier à glaçons est plein (jaune)

D). 💧 : Voyant qui signale un bas niveau d'eau (jaune)

## Accessoires



13. Tuyau d'alimentation en eau

14. Tuyau d'évacuation

15. Rondelles d'étanchéité supplémentaires x 2

16. Pelle à glaçons

## Installation de l'appareil

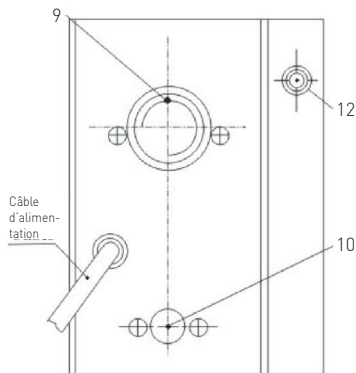
**Avertissement:** Tous les travaux d'installation, de maintenance et de réparation de l'appareil doivent être effectués uniquement par des techniciens qualifiés et autorisés.

- Vérifiez l'appareil s'il est complet et s'il n'y a pas d'endommagements éventuels. En cas d'une livraison incomplète ou d'endommagements, N'UTILISEZ PAS l'appareil et contactez immédiatement votre fournisseur.
- Vérifiez, si l'appareil est muni de toutes les accessoires dont les tuyaux d'alimentation en eau et tuyau d'évacuation, 2 rondelles d'étanchéité supplémentaires et une pelle à glaçons.
- Retirez l'ensemble de l'emballage et le film de protection ( le cas échéant).
- Placez l'appareil sur une surface horizontale, stable et protégé qui peut porter le poids de l'appareil avec le poids de la glace pilée produite.
- Évitez l'exposition de l'appareil au soleil et ne le placez pas près d'une source de chaleur comme par exemple la cuisinière, le four, etc.
- Assurez-vous qu'il y a un espace libre de 15 cm autour de l'appareil pour assurer une ventilation adéquate.
- Placez l'appareil de sorte que vous ayez toujours un accès facile à la prise ce qui permettra un débranchement rapide de la prise si nécessaire.
- Placez l'appareil à proximité du raccordement d'eau.

## Branchement au raccordement d'eau

**Avertissement:** L'appareil ne peut être branché qu'au raccordement d'eau froide potable. À défaut, avant de démarrer l'appareil, il faut installer un système de purification d'eau ou un filtre.

- Branchez une extrémité du tuyau de raccordement d'eau (13) à un accord à vis 3/4" d'eau pour brancher l'alimentation en eau potable. Ensuite, branchez la deuxième extrémité de la conduite à l'arrière de l'appareil (9), en la serrant dans le sens des aiguilles d'une montre. Avant le branchement, placez les rondelles d'étanchéité (15) des deux côtés de la conduite.
- Ensuite, branchez le tuyau d'évacuation d'eau (14) au trou d'évacuation d'eau situé à l'arrière de l'appareil (10) à l'aide d'un anneau en caoutchouc. Branchez l'autre extrémité de la conduite au réseau d'égouts/réservoir d'eau. La conduite vers le réseau d'égouts/ réservoir d'eau doit être placée plus bas que l'appareil pour que l'eau puisse s'écouler librement.



**Attention:** La plage de pression d'entrée d'eau : 1 à 8 kg/cm<sup>2</sup>. Lorsque la pression d'eau est supérieure, il faut installer un réducteur de pression.

FR

## Exploitation

- Avant la première utilisation de l'appareil, nettoyez ses surfaces internes et externes avec un chiffon doux trempé d'eau tiède.
- Placez l'appareil dans un endroit bien ventilé en laissant au moins 150 mm d'espace autour de l'appareil pour la ventilation.
- Laissez l'appareil pendant environ une heure pour bien répartir et stabiliser le réfrigérant. Assurez-vous que l'appareil est correctement branché au système d'alimentation en eau.
- Ensuite, branchez l'appareil à une prise appropriée.
- Appuyez sur le bouton ON / OFF (1) qui se trouve sur le panneau de commande pour démarrer l'appareil.
- L'appareil prendra automatiquement l'eau pour nettoyer les éléments internes ensuite, l'eau sera évacuée. Les 3 voyantes de signalisation s'allumeront "❄️", "⚠️" i "💧" et ils vont clignoter pendant environ 30 secondes.
- Le bouton ON / OFF (1) s'allumera en vert. L'appareil se mettra en marche.
- Le processus de fabrication de la glace pilée est complètement automatique et comprend les étapes suivantes : Prendre l'eau ==> production de la glace pilée ==> éjection de la glace pilée ==>stockage de la glace pilée.
- Poussez la porte (4) et à l'aide de pelle à glaçons (16) sortez les glaçons.
- Lorsque le panier à glaçons se remplira, le voyant "❄️" s'allumera en jaune et l'appareil arrêtera automatiquement le fonctionnement.
- Après la sortie de la glace pilée, l'appareil reprendra automatiquement sa fabrication.
- **Attention:** : Pour des raisons d'hygiène, jetez la glace pilée produite pendant le premier cycle après chaque mise en marche de l'appareil. Ne les utilisez pas pour refroidir des boissons ou des aliments.
- Lorsque la quantité d'eau fournie est insuffisante le voyant "💧" deviendra jaune et l'appareil arrêtera automatiquement le fonctionnement.
- En cas d'erreurs ou de défauts, le voyant "⚠️" s'allumera en rouge et l'appareil arrêtera automatiquement le fonctionnement.
- Lorsque vous n'utilisez pas l'appareil, éteignez-le en appuyant sur le bouton ON / OFF (1) et débranchez-le de la source d'alimentation.

#### Attention:

- NE RALLUMEZ PAS l'appareil immédiatement lorsqu'il s'est éteint automatiquement (en raison d'un volume d'eau prise insuffisante, remplissage de récipient à la glaces pilée ou d'une panne de courant). Patientez environ 3 à 5 minutes avant de le redémarrer, afin de ne pas endommager le compresseur.

- Vérifiez régulièrement le raccordement du tuyau d'évacuation d'eau et du tuyau d'eau pour détecter toute fuite ou tout déversement d'eau.
- Si vous n'utilisez pas l'appareil pendant une longue période, dévissez le couvercle du trou d'évacuation d'eau (12) situé à l'arrière de l'appareil. Essuyez le réservoir d'eau avec un chiffon sec et propre.

---

### Nettoyage et entretien

**Avertissement:** Avant le nettoyage, la réparation ou la maintenance éteignez toujours l'appareil de la prise et laissez-le refroidir. Tous les travaux d'installation, de maintenance et de réparation de l'appareil doivent être effectués uniquement par des techniciens qualifiés et autorisés.

#### Nettoyage

- Nettoyez l'appareil après chaque utilisation et après une longue période d'arrêt.
- Les surfaces internes et externes de l'appareil peuvent être nettoyées à l'aide d'un chiffon humide trempé d'une petite quantité de produit nettoyant.
- N'utilisez pas de jet d'eau direct, de jet de vapeur, ne plongez pas l'appareil dans l'eau pour le nettoyer.

- Nettoyez le condenseur tous les 2 à 3 mois.
- Pour le nettoyage, utilisez uniquement un chiffon doux – ne nettoyez jamais l'appareil avec des produits contenant les nettoyants abrasifs ou avec le nettoyeur haute pression parce qu'ils risquent d'endommager la surface.
- Après le nettoyage, essuyez et faites briller la surface de l'appareil avec un chiffon doux et sec.


#### Maintenance

- Vérifiez régulièrement si le câble d'alimentation n'est pas endommagé pour éviter un choc électrique. N'utilisez jamais l'appareil si le câble d'alimentation est endommagé. Un câble endommagé doit être immédiatement remplacé par un technicien qualifié et autorisé.

- L'appareil devrait être réparé et maintenu uniquement par un personnel qualifié avec l'utilisation des pièces de rechange et des accessoires d'origine.

## Résolution des problèmes

Si l'appareil ne fonctionne pas correctement, reportez-vous au tableau ci-dessous pour y trouver une solution. Si vous n'arrivez toujours pas à résoudre le problème, contactez votre distributeur/fournisseur.

Problème	Cause possible	Solutions
L'appareil ne fonctionne pas.	<ul style="list-style-type: none"> <li>• L'appareil est éteint.</li> <li>• La fiche électrique n'est pas correctement branchée à la prise de courant</li> </ul>	<ul style="list-style-type: none"> <li>• Éteignez l'appareil.</li> <li>• Vérifiez si la fiche électrique est correctement branchée à la prise de courant.</li> </ul>
Le compresseur ne fonctionne pas.	<ul style="list-style-type: none"> <li>• Le volume d'eaux prise est insuffisant.</li> <li>• Le récipient à la glace pilée est rempli.</li> </ul>	<ul style="list-style-type: none"> <li>• Vérifiez le raccordement du système d'alimentation en eau. Si la connexion est correcte, réinitialisez l'appareil.</li> <li>• Sortez une partie de glaçons.</li> </ul>
Le compresseur fonctionne, mais l'appareil ne produit pas de glace pilée.	<ul style="list-style-type: none"> <li>• La fuite de réfrigérant.</li> <li>• Le système de refroidissement est bloqué.</li> </ul>	<ul style="list-style-type: none"> <li>• Contactez votre fournisseur.</li> </ul>
 Un voyant allumé.	<ul style="list-style-type: none"> <li>• Le volume d'eaux prise est insuffisant.</li> <li>• La vanne d'eau est défectueuse.</li> <li>• La pression de l'eau prise est trop basse.</li> </ul>	<ul style="list-style-type: none"> <li>• Vérifiez le raccordement du système d'alimentation en eau. Si la connexion est correcte, réinitialisez l'appareil.</li> <li>• Contactez votre fournisseur.</li> <li>• Assurez-vous si la pression de l'eau prise est au moins à 1kg/cmcm<sup>2</sup></li> </ul>
Le voyant B est toujours allumé	Le moteur à engrenage est défectueux.	Contactez votre fournisseur.
	Le dispositif anti-grêle ne fonctionne pas.	Contactez votre fournisseur.
	Le ventilateur du condenseur est défectueux.	Contactez votre fournisseur.
Le voyant B s'allume 3 fois toutes les 5 s.	Le capteur de niveau de glace ne fonctionne pas.	Contactez votre fournisseur.
Le voyant B s'allume une fois toutes les 5 s.	Le capteur de température de l'eau ne fonctionne pas.	Contactez votre fournisseur.
Le voyant B s'allume 2 fois toutes les 5 s.	Le capteur du condenseur ne fonctionne pas.	Contactez votre fournisseur.
Fuite d'eau	<ul style="list-style-type: none"> <li>• Le tube à eau est endommagé.</li> <li>• La pression d'entrée d'eau est trop élevée.</li> </ul>	<ul style="list-style-type: none"> <li>• Changer le tube à eau.</li> <li>• Vérifier et réduire la pression d'entrée d'eau.</li> </ul>
Présence d'eau stagnante dans le local de stockage des glaçons	<ul style="list-style-type: none"> <li>• L'installation du tube de vidange est plus basse que le niveau d'eau horizontal.</li> <li>• Le tube de vidange est bouché.</li> </ul>	<ul style="list-style-type: none"> <li>• Régler la hauteur du tube de vidange.</li> <li>• Changer le tube de vidange.</li> </ul>

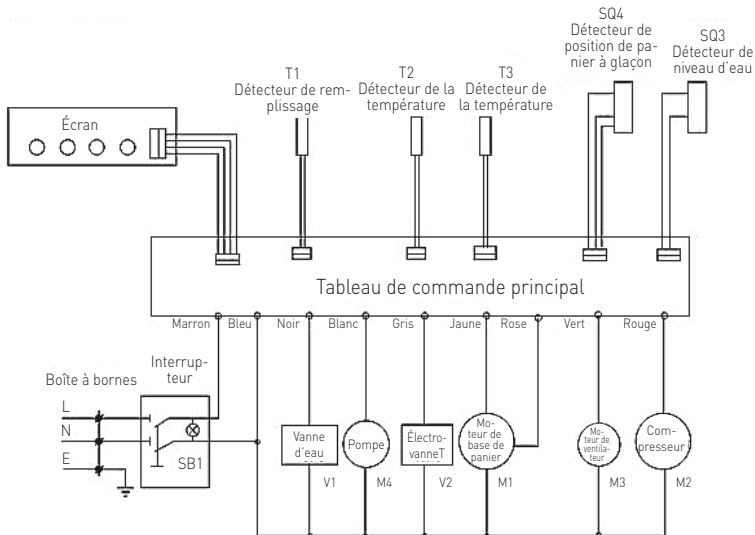


## Caractéristiques techniques

Produit numéro	271797
Tension et fréquence	220-240V~ 50Hz
Consommation d'énergie nominale	430W
Courant nominal	3A
Réfrigérant / quantité de réfrigérant	R290 / 70g
Classe climatique	ST (18°C à 38°C)
Classe de protection	Classe I
Niveau sonore	< 60 dB (A)
Contenu du panier à glaçon	85 kg / 24 heures
Panier à glaçon	20 kg
Poids net (env.)	58 kg
Dimensions	548 x 612 x (H) 867 mm

Remarque : Les caractéristiques techniques peuvent être modifiées sans préavis.

## Schéma électrique (Item 271797)



---

## Garantie

Tout vice ou toute défaillance entraînant un dysfonctionnement de l'appareil qui se déclare dans les 12 mois suivant la date de l'achat sera éliminé à titre gratuit ou l'appareil sera remplacé par un appareil nouveau si le premier a été dûment exploité et entretenu conformément aux termes de la notice d'exploitation et s'il n'a pas été indûment exploité ou de manière non conforme à sa destination. La présente stipulation ne porte pas de préjudice aux autres droits de l'utilisateur prévus par les dispositions légales. Dans le cas où l'appareil est donné à la réparation ou doit être remplacé

dans le cadre de la garantie, il y a lieu de spécifier le lieu et la date de l'achat de l'appareil et produire un justificatif nécessaire (par ex. facture ou ticket de caisse).

Conformément à notre politique d'amélioration permanente de nos produits, nous nous réservons le droit d'introduire sans avertissement préalable des modifications à l'appareil, à l'emballage et aux caractéristiques techniques précisées dans la documentation.

---

## Élimination et protection de l'environnement

En cas de retrait du produit de l'exploitation l'appareil ne peut pas être jeté avec d'autres déchets ménagers. L'utilisateur est responsable de la remise de l'équipement au point de collecte approprié pour l'équipement usagé. Le non-respect des dispositions ci-dessus peut entraîner les pénalités conformément à la réglementation applicable en matière d'élimination des déchets. La collecte sélective et le recyclage des équipements usagés contribuent à la conservation des ressources natu-


relles et assurent un recyclage sans danger pour la santé et l'environnement.

Pour plus d'informations sur les endroits de collecte des équipements usagés pour le recyclage, contactez la société de collecte des déchets locale. Le producteur et l'importateur ne sont pas responsables du recyclage et du traitement des déchets d'une manière respectueuse de l'environnement directement et dans le système public.

Gentile Cliente,

Grazie per aver acquistato questo apparecchio Arktic. Leggere attentamente questo manuale, prestando particolare attenzione alle norme di sicurezza descritte di seguito, prima di installare e utilizzare questo apparecchio per la prima volta.


## Norme di sicurezza

- Questo apparecchio è destinato al buffet e all'uso domestico.
- Utilizzare l'apparecchio solo per lo scopo previsto per il quale è stato progettato come descritto nel presente manuale.
- Il produttore non è responsabile per eventuali danni causati da un funzionamento scorretto e da un uso improprio.
- Tenere l'apparecchio e la spina elettrica lontano da acqua e altri liquidi. Nel caso in cui l'apparecchio cada in acqua, rimuovere immediatamente la spina di alimentazione dalla presa. Non utilizzare l'apparecchio fino a quando non è stato controllato da un tecnico certificato. Il mancato rispetto di queste istruzioni causerà rischi pericolosi per la vita.
- Non tentare mai di aprire l'alloggiamento dell'apparecchio da soli.
- Non inserire oggetti nell'alloggiamento dell'apparecchio.
- Non toccare la spina con le mani bagnate o umide.
-  **PERICOLO DI SCOSSE ELETTRICHE!** Non tentare di riparare l'apparecchio da solo, le riparazioni devono essere eseguite solo da personale qualificato.
- **Non utilizzare mai un apparecchio danneggiato!** Quando è danneggiato, scollegare l'apparecchio dalla presa e contattare il rivenditore.
- **AVVERTIMENTO!** Non immergere le parti elettriche dell'apparecchio in acqua o altri liquidi.
- Non tenere mai l'apparecchio sotto l'acqua corrente.
- Controllare regolarmente la spina e il cavo di alimentazione per eventuali danni. Se danneggiato, deve essere sostituito da un agente di servizio o da una persona altrettanto qualificata al fine di evitare pericoli o lesioni.
- Assicurarsi che il cavo non entri in contatto con oggetti appuntiti o caldi e tenerlo lontano dal fuoco aperto. Non tirare mai il cavo di alimentazione per scollegarlo dalla presa, staccare sempre la spina.
- Assicurarsi che il cavo di alimentazione e/o la prolunga non causino rischi di inciampare.
- Non lasciare mai l'apparecchio incustodito durante l'uso.
- **AVVERTIMENTO!** Finché la spina si trova nella presa, l'apparecchio è collegato alla fonte di alimentazione.
- Spegnerne l'apparecchio prima di scollegarlo dalla presa.
- Collegare la spina di alimentazione a una presa elettrica facilmente accessibile in modo che in caso di emergenza l'apparecchio possa essere scollegato immediatamente.
- Non portare mai l'apparecchio con il cavo.
- Non utilizzare dispositivi aggiuntivi non forniti insieme all'apparecchio.
- Collegare l'apparecchio a una presa elettrica solo con la tensione e la frequenza indicati sull'etichetta dell'apparecchio.

IT

- Non utilizzare mai accessori diversi da quelli consigliati dal produttore. In caso contrario, potrebbe comportare un rischio per la sicurezza dell'utente e danneggiare l'apparecchio. Utilizzare solo parti e accessori originali.
- Questo apparecchio non deve essere utilizzato da persone con capacità fisiche, sensoriali o mentali ridotte o da persone che hanno una mancanza di esperienza e conoscenze.
- Questo apparecchio non deve, in nessun caso, essere utilizzato dai bambini.
- Tenere l'apparecchio e il suo cavo di alimentazione fuori dalla portata dei bambini.
- **ATTENZIONE:** spegnere SEMPRE l'apparecchio e scollegarlo dalla presa di corrente prima della pulizia, della manutenzione o della conservazione.

## Norme speciali di sicurezza

- Questo apparecchio è destinato solo alla produzione di cubetti di ghiaccio frantumato. L'uso del dispositivo per qualsiasi altro scopo può causare danni o lesioni.
- Utilizzare il dispositivo solo in conformità con queste istruzioni.
-  **ATTENZIONE! PERICOLO DI INCENDIO!** Il refrigerante utilizzato nel dispositivo è R290. È un refrigerante infiammabile rispettoso dell'ambiente. Anche se il refrigerante è infiammabile, non è dannoso per lo strato di ozono e non ha alcun impatto sull'effetto serra. Però, l'uso di questo refrigerante provoca un leggero aumento del livello di rumore emesso dal dispositivo. Oltre al rumore generato dal compressore l'utente può sentire anche il rumore causato dal flusso di refrigerante. Il fenomeno sopra descritto non può essere evitato e non ha alcun effetto negativo sul funzionamento del dispositivo. Durante il trasporto e il posizionamento del dispositivo, si deve prestare particolare attenzione a non danneggiare alcuna parte del sistema di refrigerazione. La perdita di refrigerante può causare danni agli occhi.
- Non posizionare l'apparecchio su fonti di calore (fornello a gas, elettrico, grill ecc.). Evitare di tenere l'apparecchio vicino a fiamme libere. Il dispositivo deve trovarsi su una superficie piana, stabile, pulita, asciutta e resistente ad alte temperature.
- Il dispositivo non è progettato per essere utilizzato con timer esterno o telecomando separato.
- **AVVERTENZA:** Non coprire le aperture di ventilazione dell'apparecchio.
- **AVVERTENZA:** Non utilizzare dispositivi meccanici o strumenti diversi da quelli consigliati dal fabbricante per accelerare il processo di scongelamento.
- **AVVERTENZA:** Prestare attenzione a non danneggiare il circuito del refrigerante.
- **AVVERTENZA:** collegare solo a una fonte d'acqua portatile.
- Non conservare sostanze esplosive, come contenitori di aerosol, con gas infiammabile nel dispositivo.
- Mantenere uno spazio di almeno 15 centimetri attorno al dispositivo per garantire la ventilazione durante l'uso.
- Non colpire con gli strumenti duri nella superficie esterna del dispositivo. Non pulire il dispositivo con un getto d'acqua sotto pressione o un pulitore a vapore, non risciacquare il dispositivo con acqua per evitare qualsiasi inumidimento o l'umidità del dispositivo, e il rischio di scosse elettriche.

- Non esporre alla luce solare diretta. Evitare urti meccanici e vibrazioni.
- Spostare sempre o trasportare il dispositivo in posizione verticale per evitare qualsiasi danno.
- **ATTENZIONE!** Far passare e proteggere il cavo di alimentazione per evitare di strappare accidentalmente o per evitare il contatto con la superficie riscaldata.
- Non pulire o posizionare il dispositivo in un luogo di conservazione se non si è completamente raffreddato.
- Le parti del dispositivo non possono essere lavati in lavastoviglie.

---

### Uso previsto

- Questo apparecchio è destinato al buffet e all'uso domestico.
- Questo dispositivo è destinato solo per frantumare il ghiaccio. L'uso del dispositivo per qualsiasi altro scopo può causare danni o lesioni.
- L'uso del dispositivo per qualsiasi altro scopo sarà considerato un uso improprio. L'utente sarà l'unico responsabile per l'uso scorretto del dispositivo.

---

### Installazione di messa a terra

Questo apparecchio è classificato come **classe di protezione I** e deve essere collegato a un terreno di protezione. La messa a terra riduce il rischio di scosse elettriche fornendo un filo di fuga per la corrente elettrica. Questo apparecchio è dotato di

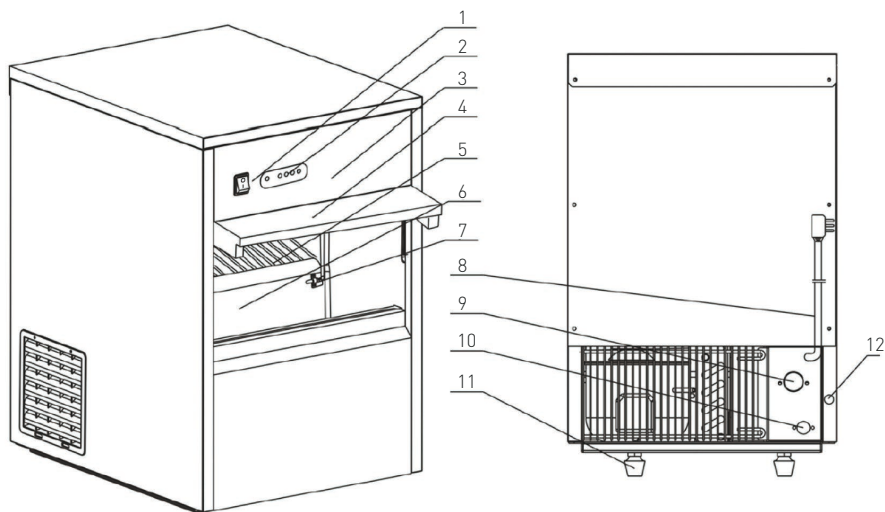
un cavo di alimentazione che ha un cavo di messa a terra e una spina messa a terra. La spina deve essere collegata a una presa correttamente installata e messa a terra.

---

### Prima del primo uso

- Controllare il perfetto funzionamento del dispositivo. In caso di malfunzionamento, mettersi immediatamente in contatto con il proprio fornitore e NON usare, assolutamente, il dispositivo.
- Rimuovere il materiale d'imballaggio e l'eventuale pellicola protettiva.
- Pulire il dispositivo con acqua tiepida ed un soffice panno.
- Se non diversamente specificato, posizionare il dispositivo su una superficie piana e stabile.
- Lasciare ampio spazio libero intorno al dispositivo per garantire una ventilazione adeguata.
- Posizionare il dispositivo in modo da avere sempre un buon accesso alla spina.
- Assicurarsi che il dispositivo è dotato di un contenitore del ghiaccio e una paletta per il ghiaccio, in caso di mancanza contattare immediatamente il fornitore.
- Pulire il dispositivo all'interno con acqua tiepida ed un soffice panno.
- Pulire il contenitore del ghiaccio.
- Non esporre il dispositivo alla luce solare diretta o collocarlo vicino a una fonte di calore.
- Non utilizzare il dispositivo entro 24 ore dal giorno in cui è stato trasportato o spostato in un'altra posizione.
- Conservare la confezione se si intende riporre l'elettrodomestico in futuro.

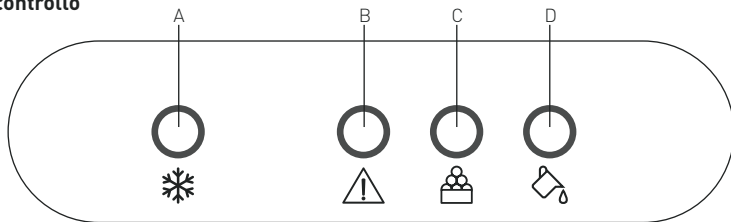
## Parti principali del dispositivo



1. Interruttore ON/OFF con una spia integrata (verde)
2. Display con le spie per diverse funzioni
3. Pannello frontale
4. Porta scorrevole
5. Ripiano per ghiaccio
6. Contenitore per il ghiaccio
7. Sensore di riempimento del contenitore per il ghiaccio
8. Cavo di alimentazione
9. Connessione dell'acqua
10. Apertura del tubo di scarico
11. Piedini
12. Copertura dell'apertura di scarico

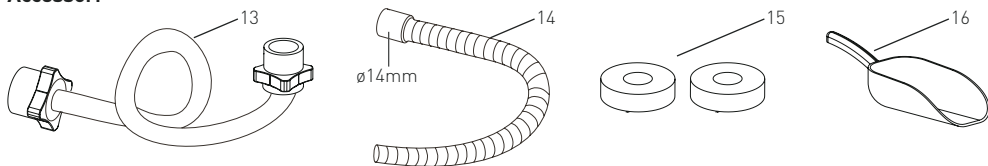
IT

## Pannello di controllo



- A). ❄️ : Spia di funzionamento del dispositivo (verde)  
B). ⚠️ : Spia di errore (rossa)  
C). 🧊 : Spia di riempimento del contenitore (gialla)  
D). 💧 : Spia di basso livello dell'acqua (gialla)

## Accessori



13. Tubo di alimentazione dell'acqua
14. Tubo di scarico dell'acqua
15. Rondelle di tenuta supplementari x 2
16. Paletta per il ghiaccio

## Assemblaggio del dispositivo

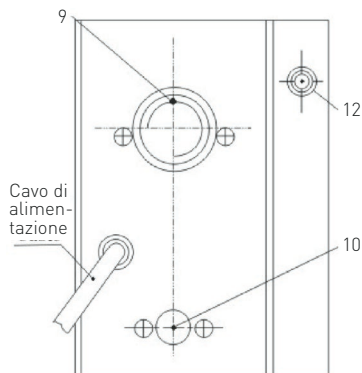
**Avvertenza:** tutti i lavori di installazione, manutenzione e riparazione devono essere eseguiti da tecnici qualificati e autorizzati.

- Controllare il perfetto funzionamento del dispositivo. In caso di malfunzionamento, mettersi immediatamente in contatto con il proprio fornitore e NON usare, assolutamente, il dispositivo.
- Controllare che tutti gli accessori, cioè i tubi di alimentazione e di scarico dell'acqua, 2 rondelle di tenuta supplementari e la paletta per il ghiaccio siano inclusi nel dispositivo.
- Rimuovere il materiale d'imballaggio e l'eventuale pellicola protettiva.
- Posizionare il dispositivo su una superficie orizzontale, stabile e sicura che possa sopportare il peso del dispositivo, tenendo conto del peso del ghiaccio frantumato.
- Evitare di esporre il dispositivo alla luce diretta del sole o posizionarlo vicino a una fonte di calore come un fornello, un forno, ecc.
- Assicurarsi che sia mantenuto uno spazio libero di 15 cm intorno al dispositivo per una corretta ventilazione.
- Collocare il dispositivo in un luogo in cui sia garantito un facile accesso alla spina, consentendo la disconnessione rapida dalla presa se necessario.
- Collocare il dispositivo vicino alla connessione dell'acqua.

## Collegamento alla connessione dell'acqua

**Avvertenza:** collegare il dispositivo solo a una presa dell'acqua potabile fredda. In caso contrario, è necessario installare un sistema di depurazione dell'acqua o un filtro prima di avviare il dispositivo.

- Collegare un'estremità del tubo di collegamento dell'acqua (13) al giunto a vite da 3/4" per collegare l'alimentazione di acqua potabile. Quindi collegare l'altra estremità del cavo al retro del dispositivo (9) serrandolo in senso orario. Prima del collegamento, posizionare le rondelle di tenuta (15) su entrambi i lati del cavo.
- Quindi collegare il tubo di scarico dell'acqua (14) all'apertura di scarico situata sul retro del dispositivo (10) utilizzando un anello di gomma. Collegare l'altra estremità del tubo di scarico alla fognatura/ al contenitore dell'acqua. Lo scarico della fognatura / del contenitore dell'acqua deve essere posizionato più in basso rispetto al dispositivo, in modo che l'acqua possa scorrere liberamente.



**Nota:** Intervallo di pressione dell'acqua in ingresso: 1- 8 kg/cm<sup>2</sup>. Se la pressione dell'acqua è superiore, è necessario installare un riduttore di pressione.

## Funzionamento

- Prima del primo uso pulire le superficie interne e esterne con acqua tiepida ed un soffice panno.
- Collocare il dispositivo in un'area ben ventilata, lasciando almeno 150 mm intorno al dispositivo per garantire la ventilazione adeguata.
- Lasciare il dispositivo per circa un'ora per distribuire e stabilizzare correttamente il refrigerante. Assicurarsi che il dispositivo sia correttamente collegato al sistema di alimentazione dell'acqua.
- Quindi collegare il dispositivo a una presa di corrente adeguata.
- Premere l'interruttore ON / OFF (1) sul pannello di controllo per accendere il dispositivo.
- Il dispositivo attirerà automaticamente l'acqua per pulire i componenti interni e quindi l'acqua si scaricherà. Tre spie si illumineranno "❄️", "⚠️" e "💧" e lampeggeranno per circa 30 secondi.
- Il processo di produzione di ghiaccio frantumato è completamente automatico e include i seguenti passaggi: Prelievo di acqua==> produzione di ghiaccio frantumato ==> evacuazione di ghiaccio frantumato ==> conservazione di ghiaccio frantumato.
- Far scorrere la porta (4) e rimuovere il ghiaccio con una spatola (16).
- Quando il contenitore del ghiaccio è pieno, la spia "🧊" si illumina in giallo e il dispositivo si arresta automaticamente.
- Dopo aver rimosso il ghiaccio frantumato, il dispositivo riprende automaticamente la produzione.

- **Nota:** per ragioni igieniche, smaltire il ghiaccio frantumato prodotto nel primo ciclo dopo ogni avvio del dispositivo. Non usarli per raffreddare bevande o cibo.
- Se la quantità di acqua erogata è insufficiente, la spia "💧" si illuminerà in giallo e il dispositivo si arresta automaticamente. Controllare il collegamento dell'acqua (cavo) al dispositivo.
- In caso di qualsiasi errore o guasto la spia "⚠️" si illuminerà in rosso e il dispositivo si arresta automaticamente.
- Se non si utilizza il dispositivo, spegnerlo premendo l'interruttore ON / OFF (1) e scollegarlo dalla fonte di alimentazione.

### Nota:

- **NON ACCENDERE** di nuovo il dispositivo dopo l'arresto automatico (a causa di un consumo di acqua insufficiente, riempimento del contenitore del ghiaccio frantumato o interruzione dell'alimentazione elettrica). Attendere circa 3-5 minuti prima di riavviarlo, in modo da non danneggiare il compressore.
- Controllare regolarmente il collegamento del tubo di scarico e del tubo dell'acqua per eventuali perdite o versamenti d'acqua.
- Se il dispositivo non viene utilizzato per un lungo periodo, svitare il coperchio dell'apertura di scarico dell'acqua (12) sul retro del dispositivo. Pulire il contenitore dell'acqua con un panno asciutto e pulito.

## Pulizia e manutenzione

**Avvertenza:** prima di pulire, riparare o eseguire la manutenzione, spegnere sempre l'apparecchio e lasciarlo raffreddare. Tutti i lavori di installazione, manutenzione e riparazione devono essere eseguiti esclusivamente da tecnici qualificati e autorizzati.

### Pulizia

- Lavare il dispositivo dopo ogni utilizzo e dopo un periodo più lungo durante il quale non è utilizzato.
- Pulire la superficie interne e esterne del dispositivo con un panno umido o una spugna, con una piccola quantità di soluzione detergente delicata.
- Non utilizzare un getto d'acqua diretto, un getto di vapore o non immergere l'intero dispositivo in acqua per durante la pulizia.
- Pulire il condensatore ogni 2 - 3 mesi.
- Usare solo un panno morbido per la pulizia - non pulire mai il dispositivo con detergenti contenenti agenti abrasivi o con spugne abrasivi a causa del rischio di danneggiare la superficie.
- Dopo la pulizia, pulire e lucidare la superficie del dispositivo con un panno morbido e asciutto.




## Manutenzione

- Controllare periodicamente che il cavo di alimentazione non sia danneggiato per evitare scosse elettriche. Non utilizzare mai il dispositivo se il cavo di alimentazione è danneggiato. Un cavo danneggiato deve essere sostituito immediatamente da un tecnico qualificato e autorizzato.
- L'apparecchio deve essere riparato e mantenuto unicamente da tecnici qualificati e utilizzando pezzi di ricambio e accessori originali. NON provare a riparare l'apparecchio da soli.

## Risoluzione dei problemi

Se l'apparecchio non funziona correttamente, leggere la tabella qui sotto per trovare la soluzione corretta. Se non è possibile risolvere il problema, contattare il rivenditore.

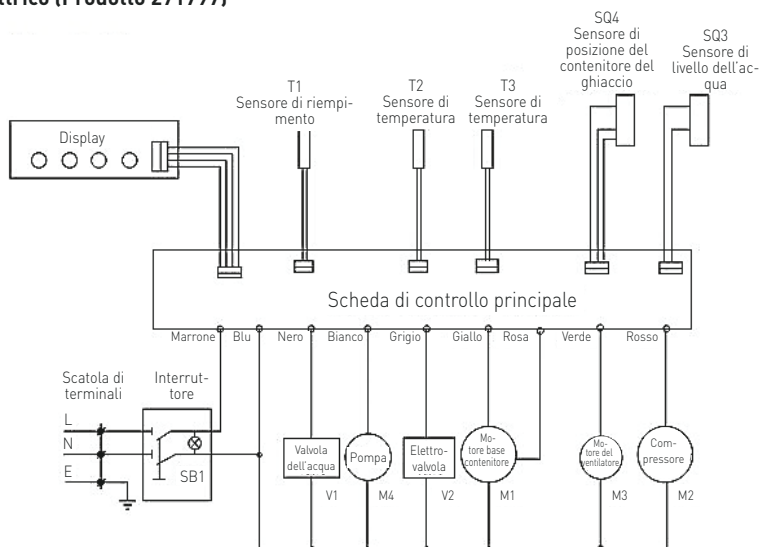
Problema	Causa possibile	Soluzione possibile
Il dispositivo non funziona.	<ul style="list-style-type: none"><li>• Il dispositivo è spento.</li><li>• La spina non è collegata correttamente alla presa di corrente.</li></ul>	<ul style="list-style-type: none"><li>• Accendere il dispositivo.</li><li>• Controllare che la spina sia correttamente collegata alla presa di corrente.</li></ul>
Il compressore non funziona.	<ul style="list-style-type: none"><li>• La quantità di acqua prelevata non è sufficiente.</li><li>• Il contenitore è pieno di ghiaccio frantumato.</li></ul>	<ul style="list-style-type: none"><li>• Controllare il collegamento del sistema di alimentazione dell'acqua. Se la connessione è corretta, ripristinare il dispositivo.</li><li>• Ritirare una parte del ghiaccio dal contenitore.</li></ul>
Il compressore funziona, ma il dispositivo non produce il ghiaccio frantumato	<ul style="list-style-type: none"><li>• Perdita di refrigerante.</li><li>• Il sistema di raffreddamento è bloccato.</li></ul>	<ul style="list-style-type: none"><li>• Contattare il fornitore.</li></ul>
 La spia di controllo è illuminata	<ul style="list-style-type: none"><li>• La quantità di acqua prelevata non è sufficiente.</li><li>• Valvola dell'acqua difettosa.</li><li>• La pressione dell'acqua prelevata è troppo bassa.</li></ul>	<ul style="list-style-type: none"><li>• Controllare il collegamento del sistema di alimentazione dell'acqua. Se la connessione è corretta, ripristinare il dispositivo.</li><li>• Contattare il fornitore.</li><li>• Controllare se la pressione dell'acqua è almeno di 1kg/cmcm<sup>2</sup></li></ul>
La spia B è sempre accesa	Il motoriduttore è difettoso.	Contattare il fornitore.
	Il dispositivo per il ghiaccio tritato non funziona.	Contattare il fornitore.
	La ventola del condensatore è difettosa.	Contattare il fornitore.
La spia B si accende 3 volte ogni 5 secondi	Il sensore di livello del ghiaccio non funziona.	Contattare il fornitore.
La spia B si accende una volta ogni 5 secondi	Il sensore della temperatura dell'acqua non funziona.	Contattare il fornitore.
La spia B si accende 2 volte ogni 5 secondi	Il sensore di condensa non funziona.	Contattare il fornitore.
Perdita d'acqua	<ul style="list-style-type: none"><li>• Il tubo dell'acqua è danneggiato.</li><li>• La pressione dell'acqua in ingresso è troppo alta.</li></ul>	<ul style="list-style-type: none"><li>• Sostituire il tubo dell'acqua.</li><li>• Controllare e ridurre la pressione in ingresso dell'acqua.</li></ul>
Acqua stagnante all'interno del magazzino dei cubetti di ghiaccio	<ul style="list-style-type: none"><li>• L'installazione del tubo di scarico e a livello inferiore rispetto al livello orizzontale dell'acqua.</li><li>• Il tubo di scarico è occluso.</li></ul>	<ul style="list-style-type: none"><li>• Regolare l'altezza del tubo di scarico.</li><li>• Sostituire il tubo di scarico.</li></ul>

## Specifiche tecniche

Prodotto numero	271797
Tensione e frequenza	220-240V~ 50Hz
Consumo di energia nominale	430W
Corrente nominale	3A
Refrigerante / quantità di refrigerante	R290 / 70g
Classe climatica	ST (18°C to 38°C)
Classe di protezione	Classe I
Livello di rumore	< 60 dB (A)
Capacità del contenitore del ghiaccio	85 kg / 24hr
Contenitore di ghiaccio	20 kg
Peso netto (circa):	58 kg
Dimensioni	548 x 612 x (H) 867 mm

**Nota:** Le specifiche tecniche sono soggette a modifiche senza preavviso.

## Schema elettrico (Prodotto 271797)



## Garanzia

Qualsiasi difetto che influenza la funzionalità del dispositivo che compaia entro un anno dall'acquisto sarà corretto a titolo interamente gratuito o con la sostituzione del prodotto che è stato utilizzato e sottoposto a manutenzione corretta seguendo le istruzioni, senza alcuna violazione. I diritti legali del cliente non sono assolutamente modificati. Nel caso in cui l'intervento di manutenzione o sostitu-

zione sia previsto nel periodo di validità della garanzia, precisare dove e quando si è acquistato il prodotto, possibilmente allegando lo scontrino.

In linea con la nostra politica di sviluppo continuo dei prodotti, ci riserviamo il diritto di modificare il prodotto, l'imballo e le specifiche di documentazione, senza notifica alcuna.

---

### **Smaltimento e protezione dell'ambiente**

In caso di ritiro dell'apparecchiatura dal funzionamento il prodotto non può essere smaltito con altri rifiuti domestici. L'utente è responsabile della consegna dell'attrezzatura al punto di raccolta appropriato per l'attrezzatura usata. Il mancato rispetto delle disposizioni sopramenzionate può comportare l'imposizione di sanzioni in conformità con le normative vigenti in materia di smaltimento dei rifiuti. La raccolta e il riciclaggio selettivi di attrezzature usate contribuiscono alla conservazione delle risorse naturali e garantiscono il riciclaggio


in modo tale da non nuocere alla salute e all'ambiente.

Per ulteriori informazioni sui luoghi di smaltimento delle apparecchiature usate per il riciclaggio, contattare la società locale di raccolta dei rifiuti. Il produttore e l'importatore non sono responsabili per il riciclaggio e il trattamento dei rifiuti in modo ecologico, sia direttamente che nel quadro del sistema pubblico.

Stimate client,

Vă mulțumim pentru achiziționarea acestui aparat Arctic. Citiți cu atenție acest manual, acordând o atenție deosebită reglementărilor de siguranță prezentate mai jos, înainte de a instala și utiliza acest aparat pentru prima dată.

## Regulile de siguranță

- Acest aparat este destinat uzului casnic și pentru bufet.
- Utilizați aparatul numai în scopul pentru care a fost proiectat conform descrierii din acest manual.
- Producătorul nu este răspunzător pentru nici o deteriorare cauzată de funcționarea incorectă și de utilizarea necorespunzătoare.
- Păstrați aparatul și ștecherul departe de apă și de alte lichide. În cazul în care aparatul cade în apă, scoateți imediat ștecherul de alimentare din priză. Nu utilizați aparatul înainte de verificarea acestuia de către un tehnician certificat. Nerespectarea acestor instrucțiuni va cauza riscuri care pun viața în pericol.
- Nu încercați niciodată să deschideți singur carcasa aparatului.
- Nu introduceți obiecte în carcasa aparatului.
- Nu atingeți ștecherul cu mâinile umede sau umede.
-  **PERICOL DE ȘOC ELECTRIC!** Nu încercați să reparați singur aparatul, reparațiile trebuie efectuate numai de personal calificat.
- **Nu folosiți niciodată un aparat deteriorat!** Când este deteriorat, deconectați aparatul de la priză și contactați distribuitorul.
- **AVERTISMENT!** Nu scufundați părțile electrice ale aparatului în apă sau alte lichide.
- Nu țineți niciodată aparatul sub jet de apă.
- Verificați cu regularitate ștecherul și cablul de alimentare pentru orice deteriorare. În cazul deteriorării, acesta trebuie înlocuit de un agent de service sau de o persoană calificată în mod similar, pentru a evita pericolul sau rănirea.
- Asigurați-vă că cablul nu intră în contact cu obiecte ascuțite sau fierbinți și păstrați-l departe de focul deschis. Nu trageți niciodată cablul de alimentare pentru a-l deconecta de la priză, trageți întotdeauna ștecherul în schimb.
- Asigurați-vă că cablul de alimentare și/sau cablul prelungitor nu provoacă pericol de deplasare.
- Nu lăsați niciodată aparatul nesupravegheat în timpul utilizării.
- **AVERTISMENT!** Atâta timp cât ștecherul este în priză, aparatul este conectat la sursa de alimentare.
- Opriti aparatul înainte de a-l deconecta de la priză.
- Conectați ștecherul la o priză electrică ușor accesibilă, astfel încât, în caz de urgență, aparatul să poată fi deconectat imediat.
- Nu purtați niciodată aparatul de cablu.
- Nu utilizați dispozitive suplimentare care nu sunt furnizate împreună cu aparatul.
- Conectați aparatul numai la o priză electrică cu tensiunea și frecvența menționate pe eticheta aparatului.

- Nu folosiți niciodată alte accesorii decât cele recomandate de producător. Nerespectarea acestui lucru ar putea reprezenta un risc de siguranță pentru utilizator și ar putea deteriora aparatul. Utilizați numai piese originale și accesorii.
- Acest aparat nu trebuie operat de persoane cu capacități fizice, senzoriale sau mentale reduse sau de persoane care au o lipsă de experiență și cunoștințe.
- Acest aparat nu ar trebui, în nici un caz, să fie utilizat de copii.
- Nu lăsați aparatul și cablul de alimentare la îndemâna copiilor.
- **AVERTISMENT:** Opriti întotdeauna aparatul și deconectați de la priză înainte de curățare, întreținere sau depozitare.

## Regulamente speciale de siguranță

- Acest aparat este destinat exclusiv producerii de fulgi de gheață. Orice altă utilizare poate provoca avarierea aparatului sau accidentarea persoanelor.
- Utilizați aparatul doar în conformitate cu indicațiile din acest manual.



**ATENȚIE! RISC DE INCENDIU!** Agentul frigorific utilizat este R290. Acesta este un agent frigorific inflamabil, fără efecte adverse asupra mediului. Deși este inflamabil, el nu afectează stratul de ozon și nu amplifică efectul de seră. Utilizarea acestui agent frigorific a condus însă la o creștere ușoară în nivelul de zgomot al aparatului. În afară de zgomotul produs de compresor, este posibil să auziți și curgerea agentului frigorific prin sistem. Acest lucru este inevitabil și nu are un efect negativ asupra performanțelor aparatului. Trebuie întotdeauna avută grijă la transportarea și instalarea aparatului, în așa fel încât niciuna din părțile sistemului de răcire să nu fie avariate. Scurgerile de agent frigorific pot vătăma ochii.

- Nu puneți aparatul pe un obiect de încălzire (aparat de gătit cu benzină, electric, cărbune etc.) Mențineți aparatul la distanță de orice suprafețe fierbinți și de flăcări deschise. Utilizați și așezați întotdeauna aparatul pe o suprafață orizontală, stabilă, curată, termorezistentă și uscată.
- Acest aparat nu este construit spre a fi utilizat cu ajutorul unui cronometru extern sau al unui sistem de control separat.
- **AVERTISMENT:** Nu obstrucționați orificiile pentru ventilație de pe carcasa aparatului.
- **AVERTISMENT:** Nu utilizați instrumente mecanice sau alte mijloace pentru a accelera dezghețarea, altele decât cele recomandate de producător.
- **AVERTISMENT:** Se va cupla numai la sursa portabilă de apă.
- Nu depozitați substanțe explozive, cum ar fi cutii de aerosoli cu carburant inflamabil în acest aparat.
- În timpul utilizării, lăsați cel puțin 15 cm în jurul aparatului ca spațiu de ventilație.
- Nu loviți suprafața exterioară cu instrumente dure. Nu folosiți jeturi de apă, nu clățiți direct cu apă și nu folosiți un dispozitiv de curățare cu aburi, deoarece piesele se vor uda și riscați să vă electrocuțați.
- A nu se expune la bătaia directă a luminii solare. A se evita șocurile mecanice și vibrațiile.
- Aparatul trebuie întotdeauna mutat sau transportat în poziție verticală, în caz contrar putând suferi avarii.

- **ATENȚIE!** Așezați protejat cablul de alimentare dacă este nevoie, pentru a împiedica tragerea neintenționată sau contactul cu suprafața de încălzire.
- Nu curățați și nu depozitați aparatul decât după ce s-a răcit complet.
- Niciuna dintre piese nu poate fi curățată în mașina de spălat vase.

---

### Utilizare preconizată

- Acest aparat este destinat uzului casnic și pentru bufet.
- Acest aparat este destinat exclusiv producerii de fulgi de gheață în mod continuu. Orice altă utilizare poate provoca avariarea aparatului sau accidentarea persoanelor.
- Utilizarea aparatului în orice alt scop reprezintă o utilizare incorectă. Utilizatorul este singurul răspunzător de orice utilizare incorectă a aparatului.

---

### Instalare împământare

Acest aparat este clasificat ca **clasa de protecție I** și trebuie conectat la un sol de protecție. Împământarea reduce riscul de șoc electric prin furnizarea unui cablu de evacuare pentru curentul

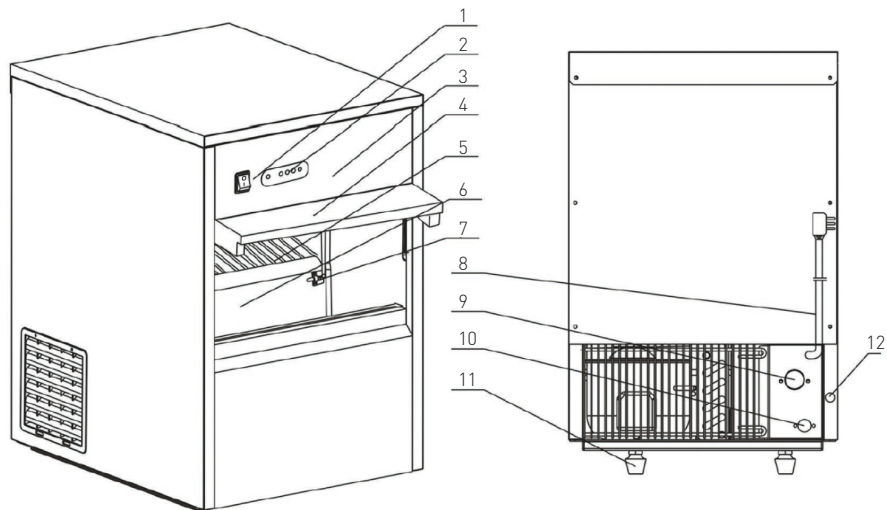
electric. Acest aparat este echipat cu un cablu de alimentare care are un fir de împământare și ștecher cu împământare. Ștecherul trebuie conectat la o priză instalată și împământată corespunzător.

---

### Pregătirea înainte de prima utilizare

- Asigurați-vă că aparatul nu este defect. În cazul în care apare o defecțiune, contactați furnizorul dumneavoastră imediat și NU utilizați aparatul.
- Îndepărtați întregul ambalaj și folia de protecție [dacă există].
- Curățați aparatul cu apă caldă și o cârpă moale.
- Puneți aparatul pe o suprafață plană și stabilă, cu excepția situațiilor în care se prevede contrariul.
- Asigurați-vă că în jurul aparatului este suficient loc liber pentru ventilație.
- Poziționați aparatul în așa fel încât ștecherul să fie accesibil în orice moment.
- Verificați dacă sunt prezente coșul pentru cuburi și lopățița. Dacă lipsește vreo piesă, contactați furnizorul.
- Curățați interiorul aparatului cu apă caldă și o cârpă moale.
- Curățați coșul pentru gheață.
- Nu așezați aparatul de produs gheață în bătaia directă a soarelui sau în apropierea unor surse de căldură.
- Nu folosiți aparatul de produs gheață timp de 24 de ore după de a fost transportat sau mutat dintr-un loc în altul.
- Păstrați ambalajul dacă intenționați să depozitați aparatul înăuntrul său pe viitor.

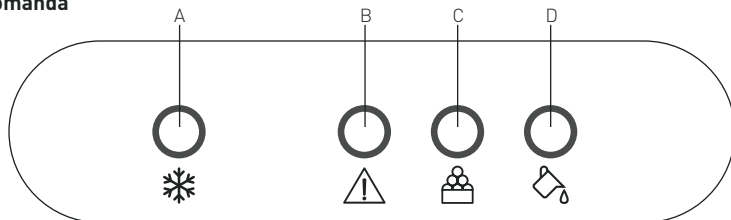
## Principalele piese ale aparatului



1. Comutator de PORNIRE / OPRIRE cu indicator încorporat (de culoare verde)
2. Afișaj cu lămpi pentru diverse funcțiuni
3. Panou frontal
4. Ușă glisantă
5. Raft pentru gheață
6. Recipient de depozitare a gheții
7. Senzor pentru cantitatea de gheață
8. Cablu de alimentare
9. Conductă de alimentare cu apă
10. Orificiul de scurgere a apei
11. Picioare
12. Capacul scurgerii

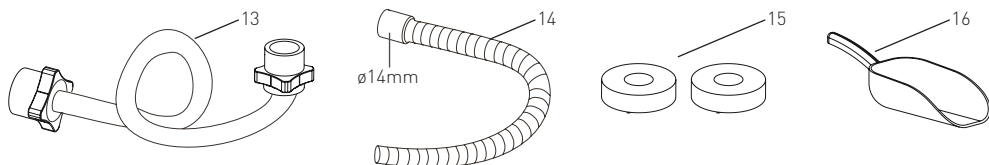
RO

## Panoul de comandă



- A). ❄️ : Indicator de funcționare (verde)  
B). ⚠️ : Afișajul pentru defecțiuni (roșu)  
C). 🗑️ : Rezervorul de depozitare este plin (galben)  
D). 💧 : Nivelul apei este pre scăzut (galben)

## Accesorii



13. Furtun de alimentare cu apă
14. Furtun de evacuare a apei
15. Garnitură de schimb x2
16. Lopățiță pentru gheață

## Instalarea aparatului

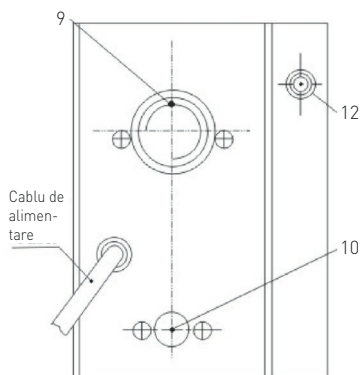
**Atenție:** Toate lucrările de instalare, întreținere și reparații trebuie executate doar de tehnicieni calificați și atestați.

- Asigurați-vă că aparatul nu este deteriorat sau că furnitura este completă. În cazul în care există deteriorări sau livrarea este incompletă, NU utilizați aparatul și contactați imediat furnizorul.
- Verificați dacă sunt prezente accesoriile, cum ar fi furtunul de alimentare cu apă, furtunul de scurgere, cele 2 garnituri de schimb și lopățița pentru gheață.
- Îndepărtați întregul ambalaj și folia de protecție (dacă există).
- Așezați aparatul pe o suprafață netedă, stabilă și sigură, care poate susține greutatea aparatului și a fulgilor de gheață produși în timpul utilizării.
- Evitați expunerea directă la razele de soare sau la surse de căldură cum ar fi aragazele, cuptoarele etc.
- Verificați ca în orice parte a aparatului să existe un spațiu liber de minimum 15 cm pentru asigurarea ventilației.
- Așezați aparatul astfel încât ștecherul să fie ușor accesibil și să poată fi scos din priză în caz de necesitate.
- Așezați aparatul lângă racordul de alimentare cu apă.

## Racordul la sursa de apă

**Atenție:** Aparatul se va racorda doar la o sursă de apă potabilă rece. În caz contrar, trebuie instalat un sistem de purificare a apei sau un filtru.

- Cuplați un capăt al furtunului de alimentare cu apă (13) la racordul filetat de 3 / 4" de la robinetul de apă pentru a prelua apa potabilă de la robinet. Cuplați apoi celălalt capăt al furtunului la partea din spate a aparatului (9) prin înfiletarea în sens invers acelor de ceasornic. Aveți grijă ca înainte de cuplare să montați garniturile (15) la ambele capete.
- Apoi cuplați un capăt al furtunului de scurgere (14) la partea din spate a aparatului (10) cu ajutorul mufei de scurgere. Cuplați celălalt capăt la evacuarea de scurgere / la rezervorul de apă. Scurgerea / rezervorul de apă trebuie să se afle la un nivel mai jos decât aparatul, astfel ca apa să se poată scurge.



**Notă:** Presiunea de admisie a apei: 1- 8 kg/cm<sup>2</sup>. Dacă presiunea depășește acest interval, trebuie instalat un reductor de presiune.



## Modul de utilizare

- Înainte de prima utilizare curățați interiorul și exteriorul aparatului cu apă caldă și o cârpă moale.
- Aparatul se instalează în spații bine ventilate, lăsând un spațiu liber de cel puțin 150 mm pe fiecare latură pentru ventilație.
- Lăsați aparatul să stea nemișcat timp de aproximativ o oră, pentru ca agentul frigorific să se așeze. Verificați dacă racordul la sursa de alimentare cu apă s-a făcut corect.
- După aceasta cuplați la o priză adecvată.
- Apăsăți comutatorul de PORNIRE / OPRIRE (1) de pe panoul de comandă pentru a porni aparatul.
- După aceasta aparatul va folosi apa pentru a curăța interiorul după care apa va începe să curgă automat. De această dată cele 3 lămpi indicatoare "❄️", "⚠️" și "🔧" se vor aprinde și vor clipi timp de aproximativ 30 de secunde.
- De asemenea, comutatorul PORNIRE / OPRIRE (1) se aprinde cu culoarea verde. Aparatul va începe să funcționeze.
- Procesul de producere a fulgilor de gheață este complet automat și cuprinde mai multe etape, respectiv: Admisia apei ==> producerea fulgilor de gheață ==> evacuarea fulgilor de gheață ==> depozitarea fulgilor de gheață.
- Apoi împingeți ușa glisantă (4) și scoateți cuburile cu ajutorul lopății (16).
- În momentul în care recipientul de depozitare a cuburilor de gheață s-a umplut, indicatorul "🔧" se va lumina în galben iar aparatul se va opri automat.

- După ce fulgii de gheață au fost scoși, aparatul va continua să producă fulgi de gheață în mod automat.
- **Notă:** Din motive de igienă, prima serie de fulgi de gheață produsă la fiecare ciclu trebuie aruncată. Nu le utilizați la băuturi sau pentru răcirea alimentelor.
- Dacă alimentarea cu apă nu este suficientă, indicatorul "🔧" se va lumina în galben iar aparatul se va opri automat. Verificați alimentarea cu apă (furtunul de alimentare) cuplată la aparat.
- Dacă există vreo eroare, indicatorul "⚠️" se va lumina în roșu iar aparatul se va opri automat.
- Opriti aparatul apăsând comutatorul PORNIRE / OPRIRE (1) și scoateți-l din priză atunci când acesta nu este folosit.

### Note:

- NU porniți din nou aparatul imediat după o oprire automată (provocată de alimentarea insuficientă cu apă, de umplerea excesivă a vasului pentru fulgi de gheață, de întreruperea curentului). Așteptați cel puțin 3 ~ 5 minute, evitând astfel avarierea compresorului.
- Verificați regulat racordurile furtunurilor de admisie și de evacuare a apei, ca să nu existe scurgeri și nici apa să nu intre în exces.
- Dacă aparatul nu va fi folosit un timp îndelungat, deșurubați bușonul de scurgere (12) din partea din spate a aparatului. Uscați rezervorul de apă ștergându-l cu o cârpă uscată și curată.

## Curățarea și întreținerea

**Atenție:** Scoateți întotdeauna aparatul din priză și lăsați-l să se răcească complet înainte de curățare sau înainte de a face reparații sau lucrări de întreținere. Aceste lucrări trebuie executate doar de tehnicieni calificați și atestați.

### Curățarea

- Curățați bine aparatul după fiecare utilizare și după perioadele de staționare îndelungată.
- Curățați suprafețele exterioare și interioare cu o cârpă umedă și puțin detergent.
- Nu curățați aparatul cu jet de apă sau în mașina de curățat cu aburi și nici nu îl scufundați în apă.
- Curățați condensatorul la fiecare 2 ~ 3 luni.


- Se va utiliza doar o cârpă moale, evitând orice agenți sau obiecte abrazive care ar putea zgâria suprafețele.
- După curățare va trebui să uscați și să lustruiți suprafețe cu o cârpă moale și uscată.

## Întreținerea

- Verificați din când în când starea cordonului de alimentare pentru a evita electrocutările. Nu utilizați niciodată aparatul cât timp cordonul de alimentare este deteriorat. Cordoanele de alimentare deteriorate trebuie imediat preluate de un tehnician calificat și atestat.
- Lucrările de reparații și întreținere trebuie realizate numai de către un tehnician calificat și utilizând piese de schimb și accesorii originale. NU încercați să reparați singur aparatul.

## Depanarea

Dacă aparatul nu funcționează bine, consultați tabelul de mai jos pentru a găsi soluția. Dacă tot nu puteți rezolva problema, luați legătura cu furnizorul/agentul de service.

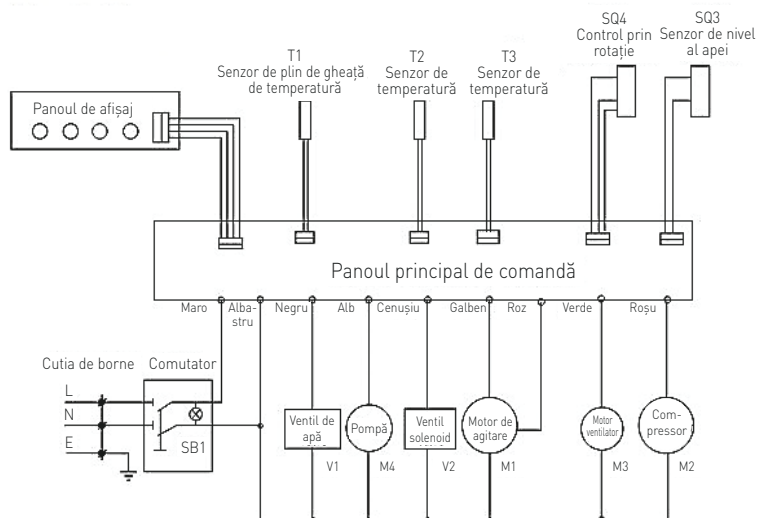
Probleme	Cauze posibile	Soluție posibilă
Aparatul nu funcționează.	<ul style="list-style-type: none"><li>• Aparatul este oprit.</li><li>• Racordul la priza electrică nu s-a făcut corect.</li></ul>	<ul style="list-style-type: none"><li>• Porniți aparatul.</li><li>• Verificați conexiunea la priza electrică.</li></ul>
Compresorul nu funcționează.	<ul style="list-style-type: none"><li>• Apa de la sursa de alimentare nu este suficientă.</li><li>• Recipientul este plin cu gheață.</li></ul>	<ul style="list-style-type: none"><li>• Verificați instalația de alimentare cu apă. Dacă totul este ok, porniți din nou aparatul.</li><li>• Scoateți o parte din gheață.</li></ul>
Compresorul funcționează, dar nu se produc fulgi de gheață.	<ul style="list-style-type: none"><li>• Scurgeri de agent frigorific</li><li>• Instalația de răcire este blocată.</li></ul>	<ul style="list-style-type: none"><li>• Contactați furnizorul.</li></ul>
 indicatorul este aprins.	<ul style="list-style-type: none"><li>• Apa de la sursa de alimentare nu este suficientă.</li><li>• Ventilul de apă este defect.</li><li>• Presiunea apei la robinet este prea mică.</li></ul>	<ul style="list-style-type: none"><li>• Verificați instalația de alimentare cu apă. Dacă totul este ok, porniți din nou aparatul.</li><li>• Contactați furnizorul.</li><li>• Verificați dacă presiunea apei la robinet este de cel puțin 1kg/cm<sup>2</sup></li></ul>
Indicatorul B este aprins permanent	Motoreductorul este defect.	Contactați furnizorul.
	Aparatul nu funcționează.	Contactați furnizorul.
	Ventilatorul condensatorului este defect.	Contactați furnizorul.
Indicatorul B se aprinde de 3 ori în 5s	Senzorul de nivel pentru gheață nu funcționează.	Contactați furnizorul.
Indicatorul B se aprinde de o dată la 5s	Senzorul de temperatură pentru apă nu funcționează.	Contactați furnizorul.
Indicatorul B se aprinde de 2 ori în 5s	Senzorul condensatorului nu funcționează.	Contactați furnizorul.
Scurgere de apă	<ul style="list-style-type: none"><li>• Furtunul de apă este deteriorat.</li><li>• Presiunea de intrare a apei este prea mare.</li></ul>	<ul style="list-style-type: none"><li>• Înlocuiți furtunul de apă.</li><li>• Verificați și reduceți presiunea de intrare a apei.</li></ul>
Apă rămasă în compartimentul de stocare cuburi de gheață	<ul style="list-style-type: none"><li>• Furtunul de scurgere este instalat sub nivelul orizontal al apei.</li><li>• Furtunul de scurgere este înfundat.</li></ul>	<ul style="list-style-type: none"><li>• Reglați înălțimea furtunului de scurgere.</li><li>• Înlocuiți furtunul de scurgere.</li></ul>

## Schema electrică

Articol nr.	271797
Tensiune și frecvență de funcționare	220-240V- 50Hz
Puterea nominală de intrare	430W
Intensitatea nominală	3A
Agentul frigorific utilizat și cantitatea injectată	R290 / 70g
Clasa de climă	ST (de la 18°C până la 38°C)
Clasa de protecție	Clasa I
Nivel sonor	< 60 dB (A)
Capacitatea de producere a gheții	85 kg / 24hr
Rezervorul de depozitare a gheții	20 kg
Greutate netă (aprox.)	58 kg
Dimensiune	548 x 612 x (H) 867 mm

**Observații:** Specificația tehnică poate fi modificată fără preaviz.

## Schema electrică (Articol : 271797)



## Garanție

Orice defecțiune care afectează funcționarea aparatului apărută la mai puțin de un an de la cumpărarea acestuia va fi remediată prin reparație sau înlocuire gratuită, cu condiția ca aparatul să fi fost folosit și întreținut conform instrucțiunilor nu să nu fi fost bruscat sau folosit necorespunzător în vreun fel. Drepturile dumneavoastră legale nu sunt afec-

tate. Dacă aparatul este în garanție, menționați când și de unde a fost cumpărat și includeți dovada cumpărării (de ex. chitanța).

Conform politicii noastre de dezvoltare continuă a produsului, ne rezervăm dreptul de a modifica produsul, ambalajul și documentația fără notificare.

---


## **Eliminarea și mediul înconjurător**

La dezafectarea aparatului, produsul nu trebuie aruncat împreună cu alte deșeuri menajere. În schimb, este responsabilitatea dumneavoastră să eliminați echipamentul uzat prin predarea acestuia la un punct de colectare desemnat. Nerespectarea acestei reguli poate fi penalizată în conformitate cu reglementările aplicabile privind eliminarea deșeurilor. Colectarea separată și reciclarea echipamentului dumneavoastră uzat la momentul debarasării contribuie la conservarea resurselor naturale și asigură realizarea reciclării într-un mod care protejează sănătatea ființelor umane și a mediului.

Pentru informații suplimentare privind modul în care puteți preda deșeurile dumneavoastră în scopul reciclării, vă rugăm să contactați compania locală de colectare a deșeurilor. Producătorii și importatorii nu își asumă responsabilitatea cu privire la reciclarea, tratarea și eliminarea ecologică a deșeurilor, fie direct, fie prin intermediul unui sistem public.

Благодарим Вас за покупку этого устройства Arctic. Внимательно прочитайте это руководство, обращая особое внимание на правила безопасности, изложенные ниже, перед установкой и использованием этого устройства в первый раз.

## Правила безопасности

- Это оборудование предназначено для буфета и домашнего использования.
- Используйте прибор только по назначению, для которого он был разработан, как описано в данном руководстве.
- Изготовитель не несет ответственности за любой ущерб, вызванный неправильной работой и неправильным использованием.
- Держите прибор и электрическую вилку подальше от воды и других жидкостей. В случае, если прибор попадает в воду, немедленно снимите вилку питания с розетки. Не используйте устройство до тех пор, пока оно не будет проверено сертифицированным техническим специалистом. Несоблюдение этих инструкций приведет к угрожающей жизни опасности.
- Никогда не пытайтесь открыть корпус прибора самостоятельно.
- Не вставляйте объекты в корпус прибора.
- Не прикасайтесь к вилке мокрыми или влажными руками.
-  **ОПАСНОСТЬ ПОРАЖЕНИЯ ЭЛЕКТРИЧЕСКИМ ТОКОМ!** Не пытайтесь самостоятельно отремонтировать прибор, ремонт должен проводиться только квалифицированный персонал.
- **Никогда не используйте поврежденный прибор!** Когда устройство повреждено, отсоедините устройство от розетки и обратитесь к продавцу.
- **ПРЕДУПРЕЖДЕНИЕ!** Не погружайте электрические части прибора в воду или другие жидкости.
- Никогда не удерживайте прибор под проточной водой.
- Регулярно проверяйте штекер питания и шнур на наличие повреждений. В случае повреждения его необходимо заменить сервисным агентом или лицом, имеющим аналогичную квалификацию, с тем чтобы избежать опасности или травм.
- Убедитесь, что шнур не соприкасается с острыми или горячими предметами и держите его подальше от открытого огня. Никогда не тяните шнур питания, чтобы отсоединить его от розетки, всегда тяните вилку вместо нее.
- Убедитесь, что шнур питания и/или удлинитель не вызывают опасности аварии.
- Никогда не оставляйте прибор без присмотра во время использования.
- **ПРЕДУПРЕЖДЕНИЕ!** Пока штекер находится в розетке, прибор подключается к источнику питания.
- Выключите устройство, прежде чем отсоединить его от розетки.
- Подключите вилку питания к легкодоступной электрической розетке, чтобы в случае аварийной ситуации устройство можно было немедленно отключить.
- Никогда не носите прибор за шнур.

- Не используйте дополнительные устройства, которые не поставляются вместе с устройством.
- Подключите прибор только к электрической розетке с напряжением и частотой, указанными на этикетке устройства.
- Никогда не используйте аксессуары, кроме тех, которые рекомендованы производителем. Невыполнение этого требования может представлять опасность для безопасности пользователя и привести к повреждению устройства. Используйте только оригинальные детали и аксессуары.
- Этот прибор не должен эксплуатироваться лицами с ограниченными физическими, сенсорными или умственными возможностями, или лицами, не имеющими опыта и знаний.
- Этот прибор ни при каких обстоятельствах не должен использоваться детьми.
- Держите устройство и его шнур питания в недоступном для детей месте.
- **ПРЕДУПРЕЖДЕНИЕ:** ВСЕГДА выключите устройство и отключите розетку от розетки перед очисткой, обслуживанием или хранением.

## Специальные правила безопасности

- Устройство предназначено исключительно для производства дроблёного льда. Использование устройства для любых других целей может привести к повреждению или травме тела.
- Используйте устройство только в соответствии с этим руководством.



**ВНИМАНИЕ! ОПАСНОСТЬ ПОЖАРА!** В устройстве используется хладагент R290. Это экологически чистый легковоспламеняющийся хладагент. Он не вреден для озонового слоя и не влияет на парниковый эффект. Однако использование этого хладагента приводит к небольшому увеличению уровня шума, создаваемого устройством. Кроме шума, создаваемого компрессором, пользователь может слышать звук, вызванный потоком хладагента. Этого явления нельзя избежать, и он не оказывает негативного влияния на функционирование устройства. Во время транспортировки и установки устройства следует соблюдать особую осторожность, чтобы не повредить какие-либо части холодильной системы. Утечка хладагента может привести к повреждению глаз.

- Не размещайте устройство на объекте, который излучает тепло (газовая или электрическая плита, гриль и т.п.). Держите устройство подальше от любых горячих поверхностей и открытого пламени. Устройство следует установить и эксплуатировать на ровной, стабильной, чистой и сухой поверхности, устойчивой к высоким температурам.
- Устройство не приспособлено для управления с помощью внешнего таймера или отдельной системы дистанционного управления.
- **ПРЕДУПРЕЖДЕНИЕ:** Не закрывайте вентиляционные отверстия корпуса устройства.
- **ПРЕДУПРЕЖДЕНИЕ:** Не используйте механические устройства или инструменты, отличающиеся от рекомендованных производителем, чтобы ускорить процесс размораживания.

- **ПРЕДУПРЕЖДЕНИЕ:** Нельзя привести к повреждению контура хладагента.
- **ПРЕДУПРЕЖДЕНИЕ:** подключайте только к переносному источнику воды.
- Не храните взрывоопасные вещества, такие как аэрозольные контейнеры, с воспламеняющимся газом в устройстве.
- Обеспечьте по крайней мере 15-сантиметровое пространство вокруг устройства, для обеспечения достаточной вентиляции во время пользования.
- Не ударяйте твердым инструментом в наружную поверхность устройства. Не чистите устройство с помощью струи воды под давлением или пароочистителя, не промывайте устройство водой, так как это приведет к увлажнению деталей внутри устройства, что может привести к поражению электрическим током.
- Защищайте от прямого солнечного света. Избегайте механических ударов и вибраций устройства.
- Во избежание повреждения устройства, всегда переносите и транспортируйте его в вертикальном положении.
- **ВНИМАНИЕ!** Правильно уложите и закрепите шнур питания, чтобы предотвратить случайное вытягивание или контакт с нагретой поверхностью.
- Не чистите и не размещайте устройство на хранение пока оно полностью не остынет.
- Части устройства нельзя мыть в посудомоечной машине.

---

#### **Предполагаемое использование**

- Это оборудование предназначено для буфета и домашнего использования.
- Устройство предназначено исключительно для производства дроблёного льда. Использование устройства для любых других целей может привести к повреждению или травме тела.
- Использование устройства для любых других целей будет рассматриваться, как использование не по назначению. Пользователь будет нести исключительную ответственность за неправильное использование устройства.

---

#### **Установка заземления**

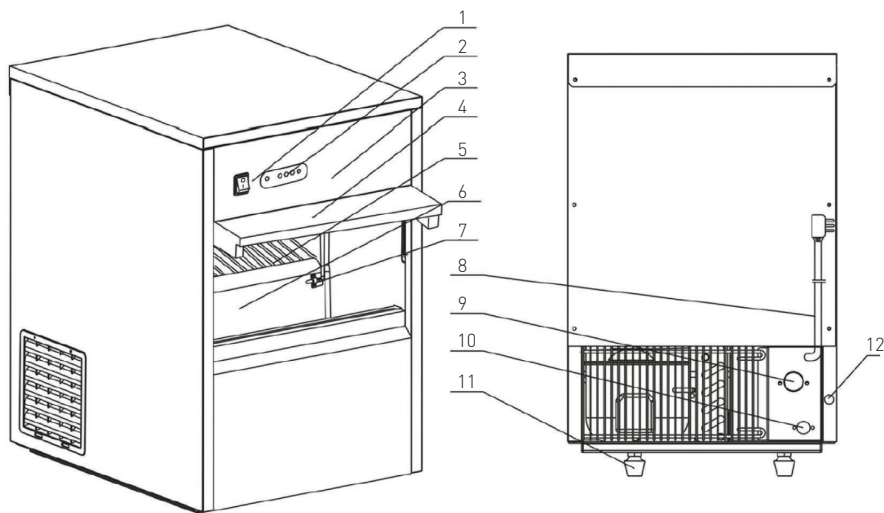
Этот прибор относится к **классу защиты I** и должен быть подключен к защитному грунту. Заземление снижает риск поражения электрическим током, обеспечивая выход провода для электрического тока. Этот прибор оснащен шнуром пи-

тания с заземляющим проводом и заземленной штепсельной вилкой. Вилка должна быть подключена к розетке, которая правильно установлена и заземлена.

## Перед первым использованием

- Проверьте, не повреждено ли устройство. В случае любых повреждений немедленно свяжитесь с поставщиком и НЕ включайте устройство.
- Снимите все элементы упаковки и защитную пленку (если имеется).
- Протрите устройство мягкой тканью, смоченной теплой водой.
- Если не указано по другому, поместите устройство на плоскую и стабильную поверхность.
- Убедитесь, что вокруг устройства имеется достаточное пространство для обеспечения надлежащей вентиляции.
- Установите устройство так, чтобы у вас всегда был хороший доступ к вилке.
- Удостоверьтесь, что к устройству приложены контейнер для льда и лопатка для льда. Если будет обнаружена какая-либо недостача, немедленно свяжитесь с поставщиком.
- Протрите внутреннюю часть устройства мягкой тканью, смоченной теплой водой.
- Очистите контейнер для льда.
- Не подвергайте устройство воздействию прямых солнечных лучей и не размещайте его вблизи источника тепла.
- Не используйте устройство в течение 24 часов со дня его транспортировки или перемещения в другое место.
- Сохраните упаковку, если намереваетесь хранить прибор в будущем.

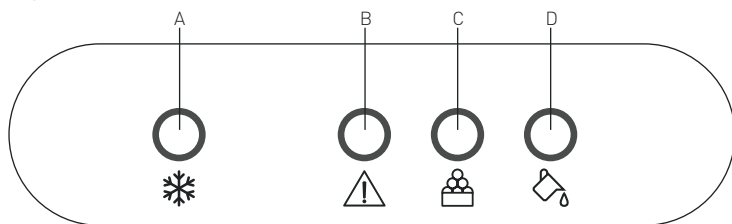
## Основные детали устройства



1. Переключатель ON / OFF со встроенным сигнальным индикатором (зеленым)
2. Дисплей с сигнальными индикаторами с различными функциями
3. Передняя панель
4. Раздвижные двери
5. Полка для льда
6. Контейнер для льда
7. Датчик наполнения контейнера для льда
8. Кабель питания
9. Подключение воды
10. Отверстие для водоотводного шланга
11. Ножки
12. Крышка для сливного отверстия



## Панель управления



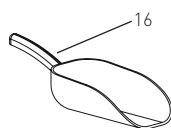
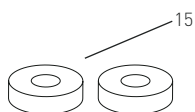
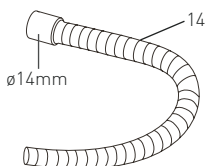
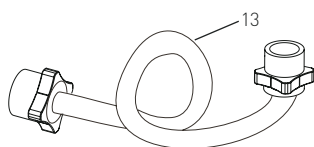
A). ❄️: Индикатор, указывающий на работу устройства (зеленый).

B). ⚠️: Индикатор ошибки (красный).

C). 🗑️: Индикатор, указывающий, что контейнер заполнен (желтый)

D). 💧: Индикатор, указывающий на низкий уровень воды (желтый)

## Аксессуары



13. Шланг подачи воды

14. Водоотводный шланг

15. Дополнительные уплотнительные шайбы x 2

16. Лопатка для льда

## Установка устройства

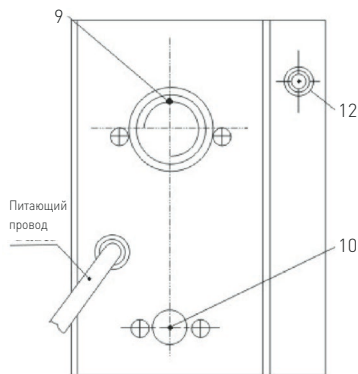
**Предупреждение:** Все работы по монтажу, техническому обслуживанию и ремонту должны выполняться только квалифицированными специалистами.

- Проверьте устройство на предмет комплектности и возможного повреждения. В случае неполной доставки или повреждения, НЕ используйте устройство и немедленно свяжитесь с поставщиком.
- Убедитесь, что все аксессуары включены в комплект поставки устройства, т.е. шланги подачи и отвода воды, 2 дополнительные уплотнительные шайбы и лопатка для льда.
- Удалите все элементы упаковки и защитную пленку (если имеется).
- Поместите устройство на горизонтальную, стабильную и защищенную поверхность, которая может выдерживать вес устройства, учитывая вес дроблёного льда.
- Не подвергайте устройство воздействию прямых солнечных лучей и не размещайте вблизи источника тепла, например, печи, духовки и т.п.
- Убедитесь, что вокруг устройства поддерживается свободное пространство 15 см для обеспечения надлежащей вентиляции.
- Поместите устройство в место, где будет обеспечен свободный доступ к вилке, чтобы быстро отключить устройство от розетки, в случае необходимости.
- Поместите устройство рядом с водоподачей.

## Подключение к водоподаче

**Предупреждение:** Подключайте устройство только к водоподаче холодной питьевой вод. В противном случае перед запуском устройства следует установить

- Подключите один конец шланга подачи воды (13) к соединителю с резьбой 3/4" для подключения питьевой воды. Затем подключите другой конец шланга к задней части устройства (9), затягивая его по часовой стрелке. Перед подключением установите уплотнительные шайбы (15) с обеих сторон шланга.
- Затем подключите водоотводный шланг (14) к сливному отверстию, расположенному на задней стороне устройства (10) с помощью резинового кольца. Подключите другой конец водоотводного шланга к канализации / резервуару для воды. Отвод в канализацию/ резервуар для воды должен располагаться ниже, чем устройство, так чтобы вода могла свободно стекать.



**Примечание:** Диапазон давления воды на входе: 1-8 кг/см<sup>2</sup>. Если давление воды выше, необходимо установить редуктор давления.

## Эксплуатация

- Прежде чем использовать устройство в первый раз, очистите его внутренние и внешние поверхности мягкой тканью, смоченной теплой водой.
- Поместите устройство в хорошо проветриваемом помещении, оставив по крайней мере 150 мм вокруг устройства для вентиляции.
- Оставьте устройство около часа для правильного распределения и стабилизации хладагента. Убедитесь, что устройство правильно подключено к системе водоснабжения.
- Затем подключите устройство к подходящей розетке.
- Нажмите переключатель ON / OFF (1) на панели управления, чтобы включить устройство.
- Устройство автоматически наберет воду для очистки внутренних компонентов, и затем вода будет слита. Загорятся 3 индикатора, сигнализирующие "❄️", "⚠️" и "💧" и они будут мигать примерно 30 секунд.
- Переключатель ON / OFF (1) будет гореть зеленым цветом. Устройство начнет работать.
- Процесс производства дроблёного льда полностью автоматизирован и включает в себя следующие этапы: Поступление воды ==> производство дроблёного льда ==> выброс дроблё-

ного льда ==> хранение дроблёного льда.

- Передвиньте дверь (4) и выньте лед с помощью лопатки (16) .
- Когда контейнер для льда будет заполнен, индикатор "❄️" загорится желтым цветом и устройство автоматически прекратит работу.
- После того, как будет вынут дроблёный лёд, устройство автоматически возобновит его производство.
- Примечание: по гигиеническим соображениям удалите дроблёный лёд полученный в первом цикле после каждого запуска устройства. Не используйте их для охлаждения напитков или продуктов питания.
- Если количество подаваемой воды будет недостаточное, индикатор "💧" загорится желтым цветом и устройство автоматически прекратит работу. Проверьте подключение воды (шланг) к устройству.
- В случае каких-либо ошибок или дефектов, индикатор "⚠️" загорится красным цветом и устройство автоматически прекратит работу.
- Если вы не используете устройство, выключите его, нажав переключатель ON / OFF (1) и отсоедините его от источника питания.

#### Примечание:

- НЕ ВКЛЮЧАЙТЕ устройство сразу после его автоматического отключения (из-за недостаточного водозабора, заполнения контейнера для льда или прерывания питания). Подождите примерно 3-5 минут до перезапуска, чтобы не повредить компрессор.

- Регулярно проверяйте подключение водоотводного шланга и шланга подачи воды на предмет любых утечек или разлитой воды.
- Если устройство не использовалось в течение длительного времени, отвинтите крышку сливного отверстия (12), расположенную на задней панели устройства. Протрите резервуар для воды сухой, чистой тканью.

---

### Очистка и техническое обслуживание

**Предупреждение:** Перед началом очистки, ремонта или обслуживания, всегда выключайте устройство из гнезда и дайте ему остыть. Все работы по монтажу, техническому обслуживанию и ремонту должны выполняться только квалифицированными специалистами.

#### Очистка

- Мойте устройство после каждого использования и после более длительного периода выключения из эксплуатации.
- Внутреннюю и внешнюю поверхности устройства можно очистить с помощью влажной ткани с небольшим количеством моющего средства.
- Для очистки устройства не используйте прямую струю воды, паровой очиститель и не погружайте всё устройство в воду.

- Очищайте конденсатор каждые 2 - 3 месяца.
- Для чистки используйте только мягкую ткань - никогда не чистите устройство с помощью моющих средств, содержащих абразивы или абразивными губками из-за риска повреждения поверхности.
- После очистки протрите и отполируйте поверхность устройства мягкой сухой тканью.

#### Обслуживание

- Периодически проверяйте шнур питания на предмет повреждений во избежание поражения электрическим током. Никогда не используйте устройство, если шнур питания поврежден. Поврежденный шнур должен быть немедленно заменен квалифицированным и авторизованным специалистом.

- Устройство должно ремонтироваться и обслуживаться только квалифицированными специалистами с использованием оригинальных запасных частей и аксессуаров. НЕ пытайтесь самостоятельно отремонтировать устройство.

## Диагностика

Если устройство не работает должным образом, обратитесь к приведенной ниже таблице, чтобы найти правильное решение. Если вы все еще не можете решить проблему, обратитесь к поставщику.

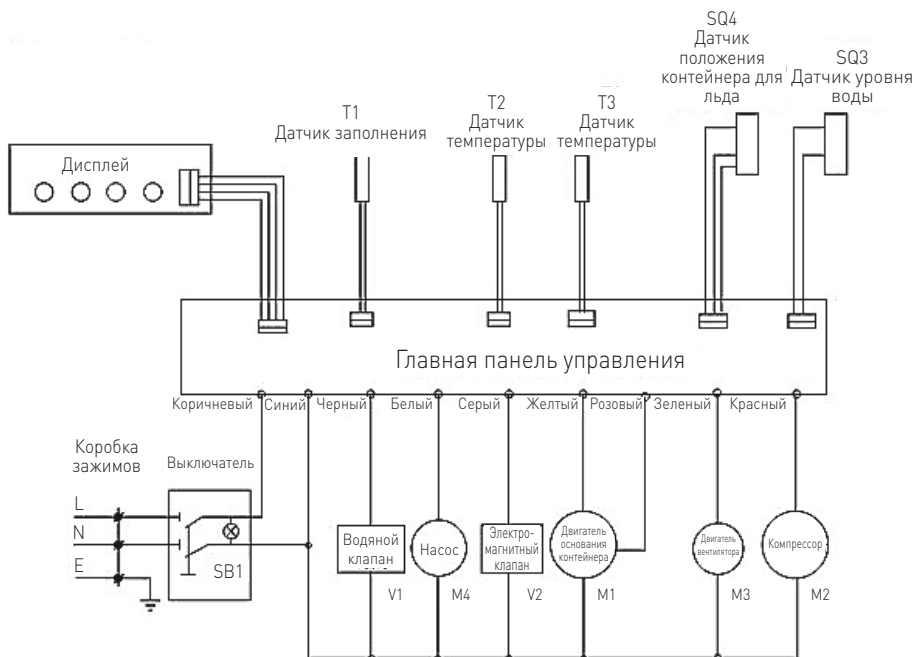
Проблема	Возможная причина	Возможное решение
Устройство не работает.	<ul style="list-style-type: none"><li>• Устройство выключено.</li><li>• Вилка неправильно подключена к розетке</li></ul>	<ul style="list-style-type: none"><li>• Включите устройство.</li><li>• Проверьте, правильно ли подключена вилка к розетке.</li></ul>
Компрессор не работает.	<ul style="list-style-type: none"><li>• Недостаточное количество потребляемой воды.</li><li>• Контейнер заполнен дроблёным льдом.</li></ul>	<ul style="list-style-type: none"><li>• Проверьте подключение системы водоснабжения. Если соединение правильное, перезагрузите устройство.</li><li>• Выньте немного кубиков льда из контейнера.</li></ul>
Компрессор работает, но устройство не производит дроблёного льда.	<ul style="list-style-type: none"><li>• Утечка хладагента.</li><li>• Система охлаждения заблокирована.</li></ul>	<ul style="list-style-type: none"><li>• Свяжитесь с поставщиком.</li></ul>
 Горит сигнальный индикатор.	<ul style="list-style-type: none"><li>• Недостаточное количество потребляемой воды.</li><li>• Поврежден клапан воды.</li><li>• Давление потребляемой воды слишком низкое.</li></ul>	<ul style="list-style-type: none"><li>• Проверьте подключение системы водоснабжения. Если соединение правильное, перезагрузите устройство.</li><li>• Свяжитесь с поставщиком.</li><li>• Убедитесь, что давление потребляемой воды не менее 1 кг /см<sup>2</sup>.</li></ul>
Индикатор В всегда включен	Редукторный двигатель неисправен.	Свяжитесь с поставщиком.
	Устройство для льда не работает.	Свяжитесь с поставщиком.
	Вентилятор конденсатора неисправен.	Свяжитесь с поставщиком.
Индикатор В загорается 3 раза на 5 с	Датчик уровня льда не работает.	Свяжитесь с поставщиком.
Индикатор В загорается один раз на 5 с	Датчик температуры воды не работает.	Свяжитесь с поставщиком.
Индикатор В загорается 2 раза на 5 с	Датчик конденсации не работает.	Свяжитесь с поставщиком.
Утечка воды	<ul style="list-style-type: none"><li>• Труба для воды повреждена.</li><li>• Слишком высокое давление подачи воды.</li></ul>	<ul style="list-style-type: none"><li>• Замените трубу для воды.</li><li>• Проверьте давление подачи и уменьшите его.</li></ul>
Стоячая вода в отсеке для кубиков льда	<ul style="list-style-type: none"><li>• Сливная труба установлена ниже уровня воды (горизонтального).</li><li>• Сливная труба засорена.</li></ul>	<ul style="list-style-type: none"><li>• Отрегулируйте высоту сливной трубы.</li><li>• Замените сливную трубу.</li></ul>

## Технические характеристики

№ продукта	271797
Рабочее напряжение и частота	220-240В~ 50 Гц
Потребляемая мощность	430Вт
Номинальный ток	3А
Хладагент / количество вводимого агента	R290 / 70г
Климатический класс	ST (18°C до 38°C)
Степень защиты	I Класс
Уровень шума	< 60 дБ (А)
Емкость контейнера для льда	85 кг / 24 часов
Контейнер для льда	20 кг
Вес нетто (прим.):	58 кг
Размеры	548 x 612 x (выс.) 867 мм

Замечания: Технические характеристики могут быть изменены без предварительного уведомления.

## Электрическая схема (№ продукта 271797)



---

## Гарантия

Любая неподелка или поломка, которая влечет за собой неправильную работу устройства, которая будет выявлена в течение первого года от даты покупки, будет устранена бесплатно, или же все устройство будет заменено новым, если оно эксплуатировалось и обслуживалось согласно инструкции по обслуживанию и не использовалось неправильно, или в разрез с назначением. Данное положение ни в коей мере не нарушает иных прав потребителя, изложенных в законо-

дательстве. В случае заявления устройства в ремонт или на замену в рамках гарантии, следует указать место и дату покупки устройства и приложить счет, или чековую квитанцию.

Согласно нашей политике совершенствования наших продуктов оставляем за собой право на ввод изменений в конструкцию, упаковку и в технические параметры, указываемые в технической документации без предупреждения.

---

## Утилизация и защита окружающей среды

В случае вывода оборудования из эксплуатации, продукт нельзя утилизировать вместе с другими бытовыми отходами. Пользователь несет ответственность за передачу оборудования в соответствующий пункт приема техники бывшей в употреблении. Несоблюдение вышеуказанного положения может привести к наложению штрафов в соответствии с действующими правилами в отношении утилизации отходов. Селективный сбор и утилизация использованного оборудования способствуют сохранению природных ресурсов и обеспечивают рециркуляцию таким

образом, который не вреден для здоровья и окружающей среды.

Для получения дополнительной информации о том, где можно отдать использованное оборудование для утилизации, обратитесь в местную компанию по сбору отходов. Производитель и импортер не несут ответственности за рециркуляцию и переработку отходов экологически безопасным способом, как непосредственно, так и в рамках государственной системы.

Αγαπητέ πελάτη,

Σας ευχαριστούμε για την αγορά αυτής της συσκευής Arctic. Διαβάστε προσεκτικά αυτό το εγχειρίδιο, δίνοντας ιδιαίτερη προσοχή στους κανονισμούς ασφαλείας που περιγράφονται παρακάτω, πριν εγκαταστήσετε και χρησιμοποιήσετε αυτή τη συσκευή για πρώτη φορά.


## Κανονισμοί ασφαλείας

- Η συσκευή ενδείκνυται για χρήση σε μπουφέ και οικιακή χρήση.
- Χρησιμοποιείτε μόνο τη συσκευή για τον επιδιωκόμενο σκοπό για τον οποίο σχεδιάστηκε όπως περιγράφεται στο παρόν εγχειρίδιο.
- Ο κατασκευαστής δεν ευθύνεται για τυχόν ζημιές που προκαλούνται από λανθασμένη λειτουργία και ακατάλληλη χρήση.
- Κρατήστε τη συσκευή και το ηλεκτρικό βύσμα μακριά από νερό και άλλα υγρά. Σε περίπτωση που η συσκευή πέσει στο νερό, αφαιρέστε αμέσως το βύσμα τροφοδοσίας από την πρίζα. Μην χρησιμοποιείτε τη συσκευή μέχρι να ελεγχθεί από πιστοποιημένο τεχνικό. Η μη τήρηση αυτών των οδηγιών θα προκαλέσει απειλητικούς κινδύνους για τη ζωή.
- Ποτέ μην επιχειρήσετε να ανοίξετε μόνοι σας το περίβλημα της συσκευής.
- Μην εισάγετε αντικείμενα στο περίβλημα της συσκευής.
- Μην αγγίζετε το βύσμα με βρεγμένα ή υγρά χέρια.
- ⚡ **ΚΙΝΔΥΝΟΣ ΗΛΕΚΤΡΟΠΛΗΞΙΑΣ!** Μην επιχειρήσετε να επισκευάσετε τη συσκευή μόνοι σας, οι επισκευές πρέπει να πραγματοποιούνται μόνο από εξειδικευμένο προσωπικό.
- **Ποτέ μην χρησιμοποιείτε μια κατεστραμμένη συσκευή!** Όταν είναι κατεστραμμένο, αποσυνδέστε τη συσκευή από την πρίζα και επικοινωνήστε με το κατάστημα λιανικής πώλησης.
- **ΠΡΟΕΙΔΟΠΟΙΗΣΗ!** Μην βυθίζετε τα ηλεκτρικά μέρη της συσκευής σε νερό ή άλλα υγρά.
- Ποτέ μην κρατάτε τη συσκευή κάτω από τρεχούμενο νερό.
- Ελέγχετε τακτικά το βύσμα τροφοδοσίας και το καλώδιο για τυχόν ζημιές. Σε περίπτωση βλάβης, πρέπει να αντικατασταθεί από αντιπρόσωπο εξυπηρέτησης ή με παρόμοια προσόντα, ώστε να αποφεύγεται ο κίνδυνος ή ο τραυματισμός.
- Βεβαιωθείτε ότι το καλώδιο δεν έρχεται σε επαφή με αιχμηρά ή ζεστά αντικείμενα και κρατήστε το μακριά από ανοιχτή φωτιά. Μην τραβάτε ποτέ το καλώδιο τροφοδοσίας για να το αποσυνδέσετε από την πρίζα, πάντα τραβάτε το βύσμα.
- Βεβαιωθείτε ότι το καλώδιο τροφοδοσίας ή/και το καλώδιο προέκτασης δεν προκαλούν κίνδυνο διαφυγής.
- Μην αφήνετε ποτέ τη συσκευή αφύλακτη κατά τη χρήση.
- **ΠΡΟΕΙΔΟΠΟΙΗΣΗ!** Όσο το βύσμα βρίσκεται στην πρίζα, η συσκευή είναι συνδεδεμένη με την πηγή τροφοδοσίας.
- Απενεργοποιήστε τη συσκευή πριν την αποσυνδέσετε από την πρίζα.
- Συνδέστε το βύσμα ρεύματος σε μια εύκολα προσβάσιμη πρίζα, ώστε σε περίπτωση ανάγκης να αποσυνδεθεί αμέσως η συσκευή.
- Ποτέ μην μεταφέρετε τη συσκευή από το καλώδιο.
- Μην χρησιμοποιείτε επιπλέον συσκευές που δεν παρέχονται μαζί με τη συσκευή.

GR

- Συνδέστε τη συσκευή μόνο σε πρίζα με την τάση και τη συχνότητα που αναφέρονται στην ετικέτα της συσκευής.
- Ποτέ μην χρησιμοποιείτε εξαρτήματα εκτός από αυτά που συνιστώνται από τον κατασκευαστή. Εάν δεν γίνει κάτι τέτοιο, θα μπορούσε να αποτελέσει κίνδυνο για την ασφάλεια του χρήστη και θα μπορούσε να προκαλέσει βλάβη στη συσκευή. Χρησιμοποιείτε μόνο αυθεντικά εξαρτήματα και αξεσουάρ.
- Η συσκευή αυτή δεν πρέπει να λειτουργεί από άτομα με μειωμένες σωματικές, αισθητηριακές ή διανοητικές ικανότητες ή άτομα με έλλειψη εμπειρίας και γνώσης.
- Αυτή η συσκευή δεν πρέπει, σε καμία περίπτωση, να χρησιμοποιείται από παιδιά.
- Κρατήστε τη συσκευή και το καλώδιο τροφοδοσίας μακριά από παιδιά.
- **ΠΡΟΕΙΔΟΠΟΙΗΣΗ:** Πάντα απενεργοποιείτε τη συσκευή και αποσυνδέστε την πρίζα πριν από τον καθαρισμό, τη συντήρηση ή την αποθήκευση.

## Ειδικοί Κανονισμοί Ασφαλείας

- Η συσκευή παρέχεται μόνο για την παρασκευή νιφάδων πάγου. Οποιαδήποτε άλλη χρήση μπορεί να προκαλέσει ζημιά στη συσκευή ή τραυματισμό.
- Χρησιμοποιείτε τη συσκευή μόνο όπως περιγράφεται στο παρόν εγχειρίδιο.
-  **ΠΡΟΣΟΧΗ! ΚΙΝΔΥΝΟΣ ΠΥΡΚΑΓΙΑΣ!** Ως ψυκτικό μέσο χρησιμοποιείται το R290, που είναι εύφλεκτο, φιλικό προς το περιβάλλον, δεν βλάπτει τη στιβάδα του όζοντος και δεν εντείνει το φαινόμενο του θερμοκηπίου. Ωστόσο, η χρήση αυτού του ψυκτικού μέσου προκαλεί μια ελαφρά αύξηση της στάθμης θορύβου της συσκευής. Εκτός από τον θόρυβο που προκαλεί ο συμπιεστής, μπορεί να ακούγεται το ψυκτικό που ρέει στο σύστημα. Αυτό είναι αναπόφευκτο και δεν έχει αρνητικές επιπτώσεις στην απόδοση της συσκευής. Κατά τη μεταφορά και την εγκατάσταση της συσκευής, προσέξτε να μην υποστούν βλάβη τα εξαρτήματα του συστήματος ψύξης. Η διαρροή ψυκτικού μπορεί να προκαλέσει οφθαλμολογική βλάβη.
- Μην τοποθετείτε τη συσκευή επάνω σε αντικείμενο θέρμανσης (ηλεκτρικό φούρνο, ψισταριά κλπ κλπ). Διατηρείτε τη συσκευή μακριά από θερμές επιφάνειες και ανοικτές φλόγες. Να τοποθετείτε και να χρησιμοποιείτε πάντα τη συσκευή σε επίπεδη, σταθερή, καθαρή, στεγνή και ανθεκτική στη θερμότητα επιφάνεια.
- Η συσκευή δεν προορίζεται για λειτουργία μέσω εξωτερικού χρονοδιακόπτη ή ξεχωριστού συστήματος τηλεχειρισμού.
- **ΠΡΟΕΙΔΟΠΟΙΗΣΗ:** Απομακρύνετε όλα τα εμπόδια γύρω από τα ανοίγματα .
- **ΠΡΟΕΙΔΟΠΟΙΗΣΗ:** Μην χρησιμοποιείτε μηχανικές συσκευές ή άλλα μέσα για να επιταχύνετε τη διαδικασία απόψυξης, πέραν αυτών που συνιστώνται από τον κατασκευαστή.
- **ΠΡΟΕΙΔΟΠΟΙΗΣΗ:** Μην προκαλέσετε ζημιά στο κύκλωμα του ψυκτικού μέσου.
- **ΠΡΟΕΙΔΟΠΟΙΗΣΗ:** Συνδέετε τη συσκευή μόνο σε παροχή πόσιμου νερού.
- Μην αποθηκεύετε στη συσκευή εκρηκτικές ουσίες, όπως φιάλες αερολυμάτων με εύφλεκτο προωθητικό αέριο.
- Αφήστε τουλάχιστον 15 cm ελεύθερο χώρο γύρω από τη συσκευή για λόγους αερισμού κατά τη χρήση.



- Μην χτυπάτε το περίβλημα της συσκευής με βαριά αντικείμενα. Μην καθαρίζετε τη συσκευή με πίδακες νερού ή ατμοκαθαριστή και μην την ξεπλένετε με νερό, καθώς θα βραχούν τα εξαρτήματα και μπορεί να προκληθεί ηλεκτροπληξία.
- Μην τοποθετείτε τη συσκευή σε μέρος με άμεση ηλιακή ακτινοβολία. Να αποφεύγετε τα μηχανικά πλήγματα και τους κραδασμούς.
- Να μετακινείτε και να μεταφέρετε τη συσκευή πάντα σε όρθια θέση καθώς σε αντίθετη περίπτωση μπορεί να προκληθεί ζημιά στη συσκευή.
- **ΠΡΟΣΟΧΗ!** Στερεώστε, εάν είναι απαραίτητο, το καλώδιο τροφοδοσίας για να αποφύγετε τυχόν ακούσιο τράβηγμα ή επαφή με την επιφάνεια ψυσίματος.
- Μην καθαρίζετε ή αποθηκεύετε τη συσκευή εάν δεν έχει κρυώσει πλήρως.
- Κανένα μέρος της συσκευής δεν είναι κατάλληλο για πλυντήριο πιάτων.

### Προβλεπόμενη χρήση

- Η συσκευή ενδείκνυται για χρήση σε μπουφέ και οικιακή χρήση.
- Η συσκευή είναι σχεδιασμένη μόνο για την παρασκευή νιφάδων πάγου. Οποιαδήποτε άλλη χρήση μπορεί να προκαλέσει ζημιά στη συσκευή ή τραυματισμό.
- Η χρήση της συσκευής για οποιονδήποτε άλλο σκοπό θεωρείται εσφαλμένη. Ο χρήστης είναι αποκλειστικά υπεύθυνος για την μη κατάλληλη χρήση της συσκευής.

### Εγκατάσταση γείωσης

Η συσκευή αυτή ταξινομείται ως **κατηγορία προστασίας I** και πρέπει να συνδέεται με προστατευτικό έδαφος. Η γείωση μειώνει τον κίνδυνο ηλεκτροπληξίας παρέχοντας ένα καλώδιο διαφυγής για το ηλεκτρικό ρεύμα. Αυτή η συσκευή είναι εφοδιασμένη με

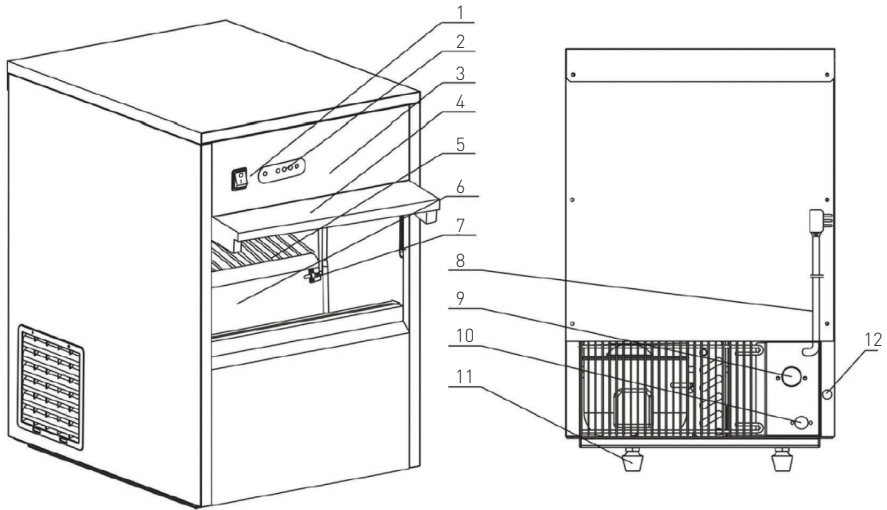
καλώδιο τροφοδοσίας που διαθέτει καλώδιο γείωσης και γειωμένο βύσμα. Το βύσμα πρέπει να συνδεθεί σε μια πρίζα που είναι σωστά εγκατεστημένη και γειωμένη.

GR

### Προετοιμασία πριν από την πρώτη χρήση

- Βεβαιωθείτε ότι η συσκευή δεν φέρει ζημιές. Σε περίπτωση ζημιάς, επικοινωνήστε αμέσως με τον προμηθευτή σας και ΜΗΝ χρησιμοποιήσετε τη συσκευή.
- Αφαιρέστε όλο το υλικό συσκευασίας και την προστατευτική μεμβράνη (αν υπάρχει).
- Καθαρίστε τη συσκευή με χλιαρό νερό και ένα μαλακό πανί.
- Τοποθετήστε τη συσκευή σε επίπεδη και σταθερή επιφάνεια, εκτός εάν αναφέρεται διαφορετικά.
- Βεβαιωθείτε ότι υπάρχει αρκετός ελεύθερος χώρος γύρω από τη συσκευή για λόγους αερισμού.
- Τοποθετήστε τη συσκευή με τέτοιο τρόπο ώστε η πρίζα να είναι πάντα προσβάσιμη.
- Ελέγχετε ότι περιλαμβάνονται ο κάδος και η σέσουλα πάγου. Σε περίπτωση που λείπουν εξαρτήματα, επικοινωνήστε με τον προμηθευτή σας.
- Καθαρίστε το εσωτερικό της συσκευής με χλιαρό νερό και ένα μαλακό πανί.
- Καθαρίστε τον κάδο πάγου.
- Μην τοποθετείτε την παγομηχανή σε μέρος με άμεση ηλιακή ακτινοβολία ή κοντά σε πηγές θερμότητας.
- Μη χρησιμοποιείτε την παγομηχανή για 24 ώρες μετά από τη μεταφορά ή τη μετακίνησή της.
- Φυλάξτε τη συσκευασία εάν σκοπεύετε να αποθηκεύσετε τη συσκευή σας στο μέλλον.

## Βασικά εξαρτήματα της συσκευής

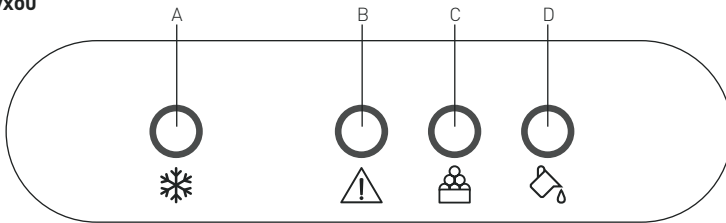


1. Διακόπτης ON / OFF με (πράσινη) λυχνία
2. Λυχνίες λειτουργίας
3. Μπροστινό πλαίσιο
4. Ανασπκώμενο πλαίσιο
5. Ράφι πάγου
6. Κάδος αποθήκευσης κύβων πάγου

7. Αισθητήρας χωρητικότητας κύβων πάγου
8. Καλώδιο ρεύματος
9. Οπή παροχής νερού
10. Οπή σωλήνα αποστράγγισης
11. Στρίγματα
12. Κάλυμμα αποστράγγισης

GR

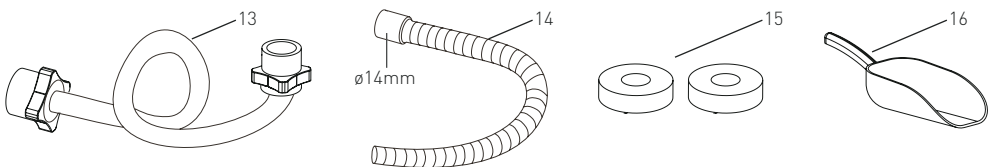
## Πίνακας ελέγχου



- A). ❄️ : Λυχνία λειτουργίας (πράσινη)  
 B). ⚠️ : Λυχνία ένδειξης σφάλματος (κόκκινη)

- C). 💧 : Λυχνία ένδειξης πλήρωσης κάδου αποθήκευσης (κίτρινη)  
 D). 💧 : Λυχνία ένδειξης πολύ χαμηλής στάθμης νερού (κίτρινη)

## Εξαρτήματα



13. Σωλήνας παροχής νερού
14. Σωλήνας αποστράγγισης νερού

15. Εφεδρική ροδέλα στεγανοποίησης x2
16. Σέσουλα πάγου

## Εγκατάσταση της συσκευής

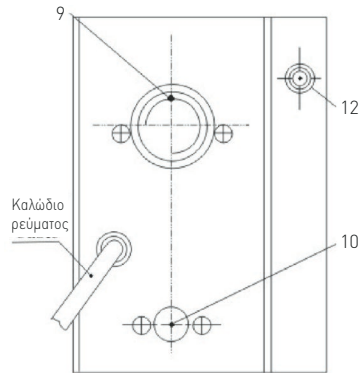
**Προσοχή:** Όλες οι εργασίες εγκατάστασης, συντήρησης και επισκευής πρέπει να εκτελούνται μόνο από εξειδικευμένους και εξουσιοδοτημένους τεχνικούς.

- Βεβαιωθείτε ότι η συσκευή δεν φέρει ζημιές και έχουν παραδοθεί όλα τα εξαρτήματα. Σε περίπτωση ζημιών ή μη ολοκληρωμένης παράδοσης, ΜΗΝ χρησιμοποιήσετε τη συσκευή και επικοινωνήστε αμέσως με τον προμηθευτή.
- Βεβαιωθείτε ότι περιλαμβάνονται όλα τα εξαρτήματα, όπως ο σωλήνας παροχής νερού, ο σωλήνας αποστράγγισης νερού, οι 2 εφεδρικές ροδέλες στεγανοποίησης και η σέσουλα πάγου.
- Αφαιρέστε όλο το υλικό συσκευασίας και την προστατευτική μεμβράνη (αν υπάρχει).
- Τοποθετήστε τη συσκευή σε επίπεδη, σταθερή και ασφαλή επιφάνεια που μπορεί να στηρίξει το βάρος της μαζί με αυτό των υφάδων πάγου που παράγεται κατά τη χρήση.
- Μην τοποθετείτε τη συσκευή σε μέρος με άμεση ηλιακή ακτινοβολία ή κοντά σε πηγές θερμότητας, όπως κουζίνες, φούρνους κλπ.
- Αφήστε τουλάχιστον 15 cm ελεύθερο χώρο γύρω από τη συσκευή για λόγους αερισμού.
- Τοποθετήστε τη συσκευή με τέτοιο τρόπο ώστε το καλώδιο ρεύματος να είναι εύκολα προσβάσιμο και να μπορεί να αποσυνδεθεί γρήγορα από την πρίζα σε περίπτωση ανάγκης.
- Τοποθετήστε τη συσκευή κοντά στην παροχή νερού.

## Σύνδεση στην παροχή νερού

**Προσοχή:** Η συσκευή πρέπει να συνδέεται μόνο σε παροχή κρύου πόσιμου νερού. Διαφορετικά, πρέπει να τοποθετηθεί εκ των προτέρων σύστημα καθαρισμού ή φίλτρο.

- Συνδέστε το ένα άκρο του σωλήνα παροχής νερού (13) στον σύνδεσμο τύπου βίδας 3/4" της παροχής νερού για να λαμβάνεται πόσιμο νερό βρύσης. Στη συνέχεια, συνδέστε το άλλο άκρο του σωλήνα στο πίσω μέρος της συσκευής (9) βιδώνοντάς το δεξιόστροφα. Πριν τη σύνδεση, τοποθετήστε τις ροδέλες στεγανοποίησης (15) στα δύο άκρα.
- Στη συνέχεια, συνδέστε το ένα άκρο του σωλήνα αποστράγγισης (14) χρησιμοποιώντας τη μανσέτα αποστράγγισης στο πίσω μέρος της συσκευής (10). Συνδέστε το άλλο άκρο στην έξοδο αποχέτευσης / δοχείο νερού. Το ύψος της εξόδου αποχέτευσης/δοχείου νερού πρέπει να είναι χαμηλότερο από τη συσκευή, ώστε να μπορεί να εκρέει το νερό.



GR

**Σημείωση:** Εύρος πίεσης παροχής νερού: 1- 8 kg/cm<sup>2</sup>. Εάν η πίεση υπερβαίνει αυτό το εύρος, πρέπει να εγκατασταθεί συσκευή μείωσης πίεσης.

## Λειτουργία

- Πριν την πρώτη χρήση, καθαρίστε την εσωτερική και εξωτερική επιφάνεια της συσκευής με χλιαρό νερό και ένα μαλακό πανί.
- Τοποθετήστε τη συσκευή σε καλά αεριζόμενο χώρο, αφήνοντας διάκενο τουλάχιστον 150 mm γύρω από όλες τις πλευρές της για λόγους αερισμού.
- Μην χρησιμοποιείτε τη συσκευή για τουλάχιστον μία ώρα προκειμένου να σταθεροποιηθεί το ψυκτικό. Βεβαιωθείτε ότι η συσκευή έχει συνδεθεί σωστά στο σύστημα παροχής νερού.
- Στη συνέχεια, συνδέστε τη συσκευή σε μια κατάλληλη πρίζα.
- Θέστε τον διακόπτη ON / OFF (1) στον πίνακα ελέγχου στη θέση ON.
- Στη συνέχεια, η συσκευή θα χρησιμοποιήσει νερό για τον καθαρισμό του εσωτερικού της και το νερό θα εξέλθει αυτόματα. Οι 3 λυχνίες "❄️", "⚠️" και "💧" θα αρχίσουν να αναβοσβήνουν για 30 δευτερόλεπτα.
- Θα ανάψει και η πράσινη λυχνία του διακόπτη ON / OFF (1). Η συσκευή αρχίζει να λειτουργεί.
- Η διαδικασία παρασκευής των νιφάδων πάγου είναι αυτόματη και αποτελείται από τα ακόλουθα στάδια: Εισαγωγή νερού => Παρασκευή νιφάδων πάγου => Εξαγωγή νιφάδων πάγου => Αποθήκευση νιφάδων πάγου.
- Στη συνέχεια ανασκώστε το πλαίσιο (4) και αφαιρέστε τους κύβους πάγου χρησιμοποιώντας τη σέσουλα (16).
- Όταν ο κάδος αποθήκευσης των κύβων πάγου γεμίσει, η κίτρινη λυχνία "🧊" θα ανάψει και η συσκευή θα σταματήσει αυτόματα να λειτουργεί.
- Όταν αφαιρεθούν οι νιφάδες πάγου από τον κάδο, η διαδικασία παρασκευής νέων νιφάδων πάγου θα

ξεκινήσει αυτόματα.

- Σημείωση: Για λόγους υγιεινής, πρέπει να απορρίψετε τις νιφάδες πάγου που παράγονται κατά τον πρώτο κύκλο κάθε χρήσης. Μην τους χρησιμοποιήσετε σε ποτά ή για την ψύξη φαγητού.
- Όταν η παροχή νερού δεν είναι επαρκής, η κίτρινη λυχνία "💧" θα ανάψει και η συσκευή θα σταματήσει αυτόματα να λειτουργεί. Βεβαιωθείτε ότι ο σωλήνας παροχής νερού είναι συνδεδεμένος σωστά στη συσκευή.
- Σε περίπτωση σφάλματος ή βλάβης, η κόκκινη λυχνία "⚠️" θα ανάψει και η συσκευή θα σταματήσει αυτόματα να λειτουργεί.
- Να απενεργοποιείτε τη συσκευή θέτοντας τον διακόπτη ON / OFF (1) στη θέση OFF και να την αποσυνδέσετε από την πρίζα όταν δεν την χρησιμοποιείτε.

## Σημειώσεις:

- ΜΗΝ ενεργοποιήσετε ξανά τη συσκευή αμέσως μετά την απενεργοποίησή της (σε περίπτωση ανεπαρκούς παροχής νερού, υπερβολικής πλήρωσης του κάδου αποθήκευσης των νιφάδων πάγου, διακοπής ρεύματος). Περιμένετε τουλάχιστον 3 ~ 5 λεπτά για να αποφύγετε ζημιές στον συμπιεστή.
- Ελέγχετε τακτικά τους συνδέσμους του σωλήνα παροχής νερού και του σωλήνα εξόδου για διαρροές ή υπερχειλίση νερού.
- Εάν δεν πρόκειται να χρησιμοποιήσετε τη συσκευή για μεγάλο χρονικό διάστημα, ξεβιδώστε το κάλυμμα αποστράγγισης (12) στο πίσω μέρος της συσκευής. Σκουπίστε το δοχείο νερού με ένα στεγνό, καθαρό πανί.

## Καθαρισμός και Συντήρηση

**Προσοχή:** Να αποσυνδέετε πάντα τη συσκευή από την πρίζα και να την αφήνετε να κρυσώσει τελείως πριν από εργασίες καθαρισμού, συντήρησης και επισκευής. Όλες οι εργασίες πρέπει να εκτελούνται μόνο από εξειδικευμένους και εξουσιοδοτημένους τεχνικούς.

## Καθαρισμός


- Να καθαρίζετε προσεκτικά τη συσκευή μετά από κάθε χρήση και μετά από μεγάλο χρονικό διάστημα.
- Οι εξωτερικές και εσωτερικές επιφάνειες μπορούν να καθαριστούν με ένα υγρό πανί και μια μικρή ποσότητα καθαριστικού μέσου.
- Μην καθαρίζετε τη συσκευή με πίδακες νερού ή ατμοκαθαριστή και μη βυθίζετε τη συσκευή μέσα σε νερό.
- Να καθαρίζετε τον πυκνωτή κάθε 2 ~ 3 μήνες.
- Να χρησιμοποιήσετε μόνο μαλακό πανί και όχι λειαντικά καθαριστικά ή σφύματα, που θα μπορούσαν να γρατσουνίσουν τις επιφάνειες της συσκευής.
- Να σκουπίστε τις επιφάνειες με ένα μαλακό και στεγνό πανί.

## Συντήρηση

- Να ελέγχετε κατά διαστήματα το καλώδιο τροφοδοσίας για τυχόν ζημιές για να αποφύγετε τυχόν ηλεκτροπληξία. Σε περίπτωση που το καλώδιο τροφοδοσίας έχει φθαρεί, μην χρησιμοποιήσετε τη συσκευή και απευθυνθείτε για έλεγχο σε εξειδικευμένο και εξουσιοδοτημένο τεχνικό.
- Οι εργασίες επισκευής και συντήρησης πρέπει να εκτελούνται μόνο από εξειδικευμένο τεχνικό και να χρησιμοποιούνται γνήσια ανταλλακτικά και εξαρτήματα. ΜΗΝ επιχειρήσετε να επισκευάσετε μόνοι σας τη συσκευή.

## Αντιμετώπιση προβλημάτων

Αν η συσκευή δεν λειτουργεί σωστά, συμβουλευτείτε τον παρακάτω πίνακα για πιθανές λύσεις. Αν συνεχίσετε να μην μπορείτε να επιλύσετε το πρόβλημα, επικοινωνήστε με τον προμηθευτή/πάροχο σέρβις.

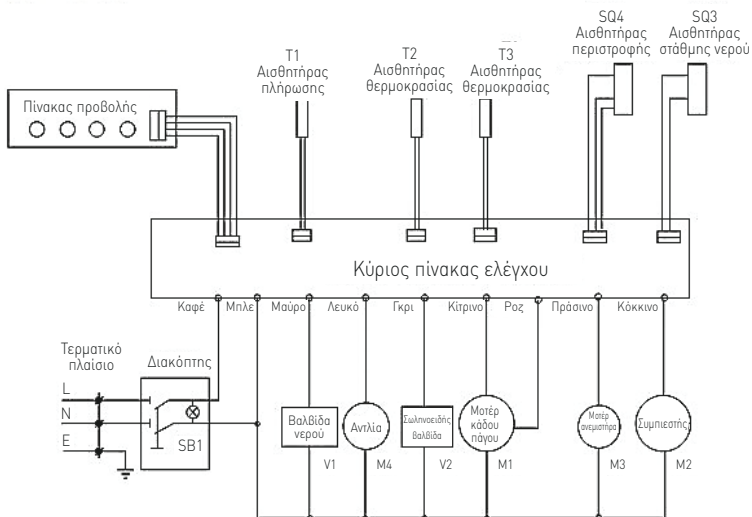
Προβλήματα	Πιθανές αιτίες	Πιθανή λύση
Η συσκευή δεν λειτουργεί.	<ul style="list-style-type: none"><li>• Ο διακόπτης λειτουργίας είναι στη θέση OFF.</li><li>• Η συσκευή δεν είναι συνδεδεμένη σωστά στην παροχή ρεύματος.</li></ul>	<ul style="list-style-type: none"><li>• Θέστε τον διακόπτη λειτουργίας στη θέση ON.</li><li>• Ελέγξτε τη σύνδεση με την παροχή ρεύματος.</li></ul>
Ο συμπιεστής δεν λειτουργεί.	<ul style="list-style-type: none"><li>• Δεν παρέχεται νερό από το σύστημα παροχής νερού.</li><li>• Ο κάδος είναι γεμάτος με κύβους πάγου.</li></ul>	<ul style="list-style-type: none"><li>• Ελέγξτε το σύστημα παροχής νερού. Εάν δεν υπάρχει πρόβλημα με το σύστημα παροχής νερού, επανεκκινήστε τη συσκευή.</li><li>• Αφαιρέσετε ορισμένους κύβους πάγου.</li></ul>
Ο συμπιεστής λειτουργεί, αλλά δεν παρασκευάζονται νιφάδες πάγου.	<ul style="list-style-type: none"><li>• Διαρροή ψυκτικού.</li><li>• ο σύστημα ψυκτικού παρουσιάζει εμπλοκή.</li></ul>	<ul style="list-style-type: none"><li>• Επικοινωνήστε με τον προμηθευτή σας.</li></ul>
 Είναι αναμμένη η λυχνία.	<ul style="list-style-type: none"><li>• Δεν παρέχεται νερό από το σύστημα παροχής νερού.</li><li>• Βλάβη βαλβίδας νερού.</li><li>• Η πίεση του νερού είναι υπερβολικά χαμηλή.</li></ul>	<ul style="list-style-type: none"><li>• Ελέγξτε το σύστημα παροχής νερού. Εάν δεν υπάρχει πρόβλημα με το σύστημα παροχής νερού, επανεκκινήστε τη συσκευή.</li><li>• Επικοινωνήστε με τον προμηθευτή σας.</li><li>• Βεβαιωθείτε ότι η πίεση του νερού είναι τουλάχιστον 1kg/cm<sup>2</sup></li></ul>
Ο δείκτης B είναι πάντα αναμμένος	Ο κινητήρας μετάδοσης είναι ελαττωματικός.	Επικοινωνήστε με τον προμηθευτή σας.
	Η συσκευή ψύξης δεν λειτουργεί.	Επικοινωνήστε με τον προμηθευτή σας.
	Ο ανεμιστήρας του συμπυκνωτή είναι ελαττωματικός.	Επικοινωνήστε με τον προμηθευτή σας.
Ο δείκτης B ανάβει 3 φορές κάθε 5 δευτερόλεπτα	Ο αισθητήρας στάθμης πάγου δεν λειτουργεί.	Επικοινωνήστε με τον προμηθευτή σας.
Ο δείκτης B ανάβει μία φορά κάθε 5 δευτερόλεπτα	Ο αισθητήρας θερμοκρασίας νερού δεν λειτουργεί.	Επικοινωνήστε με τον προμηθευτή σας.
Ο δείκτης B ανάβει 2 φορές κάθε 5 δευτερόλεπτα	Ο αισθητήρας συμπυκνωτή δεν λειτουργεί.	Επικοινωνήστε με τον προμηθευτή σας.
Διαρροή νερού	<ul style="list-style-type: none"><li>• Ο σωλήνας νερού έχει ζημιά.</li><li>• Η πίεση εισόδου νερού είναι πολύ υψηλή.</li></ul>	<ul style="list-style-type: none"><li>• Αλλάξτε το σωλήνα νερού.</li><li>• Ελέγξτε και μειώστε την πίεση εισόδου νερού.</li></ul>
Στάσιμο νερό μέσα στον αποθηκευτικό χώρο των παγακιών	<ul style="list-style-type: none"><li>• Η εγκατάσταση του σωλήνα αποστράγγισης είναι πιο χαμηλά από την στάθμη του νερού.</li><li>• Ο σωλήνας αποστράγγισης είναι βουλωμένος.</li></ul>	<ul style="list-style-type: none"><li>• Ρυθμίστε το ύψος του σωλήνα αποστράγγισης.</li><li>• Αλλάξτε τον σωλήνα αποστράγγισης.</li></ul>

## Τεχνικά στοιχεία

Αρ. προϊόντος	271797
Τάση και συχνότητα λειτουργίας	220-240V~ 50Hz
Ονομαστική ισχύς εισόδου	430W
Ονομαστικό ρεύμα	3A
Χρησιμοποιούμενο ψυκτικό μέσο και ποσότητα έγχυσης	R290 / 70g
Κλιματική κλάση	ST (18°C έως 38°C)
Κατηγορία προστασίας	Κατηγορία I
Επίπεδο θορύβου	< 60 dB (A)
Ice making capacity	85 kg / 24 ώρες
Ice tank storage	20 kg
Καθαρό βάρος (περ.)	58 kg
Διαστάσεις	548 x 612 x (Y) 867 mm

**Σημείωση:** Οι τεχνικές προδιαγραφές μπορούν να τροποποιηθούν χωρίς προηγούμενη ειδοποίηση.

## Διάγραμμα κυκλώματος (Αρ. προϊόντος: 271797)



---

## Εγγύηση

Οποιοδήποτε ελάττωμα επηρεάζει τη λειτουργικότητα της συσκευής που γίνεται προφανές δύο χρόνια μετά την αγορά της, θα διορθώνεται με δωρεάν επισκευή ή αντικατάσταση, αρκεί η συσκευή να έχει χρησιμοποιηθεί και συντηρηθεί σύμφωνα με τις οδηγίες και να μην έχει γίνει κατάχρηση ή λανθασμένη χρήση της με οποιοδήποτε τρόπο. Δε θίγονται τα νόμιμα δικαιώματά σας. Εάν η συσκευή υποστηρίζεται

από εγγύηση, δηλώστε πού και πότε έχει αγοραστεί και συμπεριλάβετε την απόδειξη αγοράς (π.χ. απόδειξη λιανικής πώλησης).

Σύμφωνα με την πολιτική μας για τη συνεχή εξέλιξη των προϊόντων μας, διατηρούμε το δικαίωμα να αλλάξουμε το προϊόν, τη συσκευασία και τις προδιαγραφές τεκμηριωσής του χωρίς προειδοποίηση.

---

## Απόρριψη & Περιβάλλον

Η συσκευή, μετά το πέρας της διάρκειας ζωής της, δεν πρέπει να απορρίπτεται ως οικιακό απόρριμμα. Πρέπει να απορρίπτεται, με δική σας ευθύνη, σε καθορισμένο σημείο συλλογής. Η μη τήρηση αυτού ενδέχεται να τιμωρείται σύμφωνα με τους ισχύοντες κανονισμούς για τη διάθεση των απορριμμάτων. Η χωριστή συλλογή και ανακύκλωση αυτής της συσκευής κατά τη στιγμή της απόρριψης βοηθά στη διατήρηση των φυσικών πόρων και εξασφαλίζει την ανακύκλωσή της με τρόπο που προστατεύει την ανθρώπινη υγεία και το περιβάλλον.

Για περισσότερες πληροφορίες σχετικά με το πού μπορείτε να απορρίψετε τη συσκευή για ανακύκλωση, επικοινωνήστε με την τοπική εταιρεία συλλογής απορριμμάτων. Οι κατασκευαστές και οι εισαγωγείς δεν αναλαμβάνουν την ευθύνη ανακύκλωσης, επεξεργασίας και οικολογικής διάθεσης, είτε άμεσα είτε μέσω δημόσιου συστήματος.

ΣΕΡΒΙΣ ΕΛΛΑΔΟΣ:

Τηλ.: 213 0 998989 (10 γραμμές)

info@pks-hendi.com

GR

## **Hendi B.V.**

Innovatielaan 6  
6745 XW De Klomp, The Netherlands  
**Tel:** +31 317 681 040  
**Email:** info@hendi.eu

## **Hendi Polska Sp. z o.o.**

ul. Firmowa 12  
62-023 Robakowo, Poland  
**Tel:** +48 61 658 7000  
**Email:** info@hendi.pl

## **Hendi Food Service Equipment GmbH**

Ehring 15  
5112 Lamprechtshausen, Austria  
**Tel:** +43 6274 200 10 0  
**Email:** office.austria@hendi.eu

## **Hendi Food Service Equipment Romania S.R.L.**

Str. 13 decembrie 94A, Hala 14  
Braşov, 500164, Romania  
**Tel:** +40 268 320330  
**Email:** office@hendi.ro

## **PKS Hendi South East Europe SA**

5 Metsovou Str.  
18346 Moschato, Athens, Greece  
**Tel:** +30 210 4839700  
**Email:** info@pks-hendi.com

## **Hendi Italia S.R.L.**

Via Leonardo da Vinci 4  
39100 Bolzano (BZ), Italy  
**Tel:** +39 800 727 438  
**Email:** office.italy@hendi.eu

## **Hendi HK Ltd.**

1208, 12/F Exchange Tower  
33 Wang Chiu Road, Kowloon Bay, Hong Kong  
**Tel:** +852 2154 2618  
**Email:** info-hk@hendi.eu

## **Find Hendi on internet:**

[www.hendi.eu](http://www.hendi.eu)  
[www.facebook.com/HendiToolsforChefs](https://www.facebook.com/HendiToolsforChefs)  
[www.linkedin.com/company/hendi-food-service-equipment-b.v.](https://www.linkedin.com/company/hendi-food-service-equipment-b.v.)  
[www.youtube.com/HendiEquipment](https://www.youtube.com/HendiEquipment)

- Changes, printing and typesetting errors reserved.  
- Änderungen, Druck- und Satzfehler vorbehalten.  
- Wijzigingen, druk- en zetfouten voorbehouden.  
- Zastrzega się możliwość zmian, błędów w druku i składzie.  
- Sous réserve d'erreurs de modification, d'impression et de composition.

- Con riserva di modifiche, errori di stampa e composizione.  
- Rezervate modificările, tipărirea și erorile de tipărire.  
- Мы оставляем за собой право вносить изменения, ошибки печати и набора.  
- Επιφυλάσσονται αλλαγές, εκτύπωση και στοιχειοθεσία.