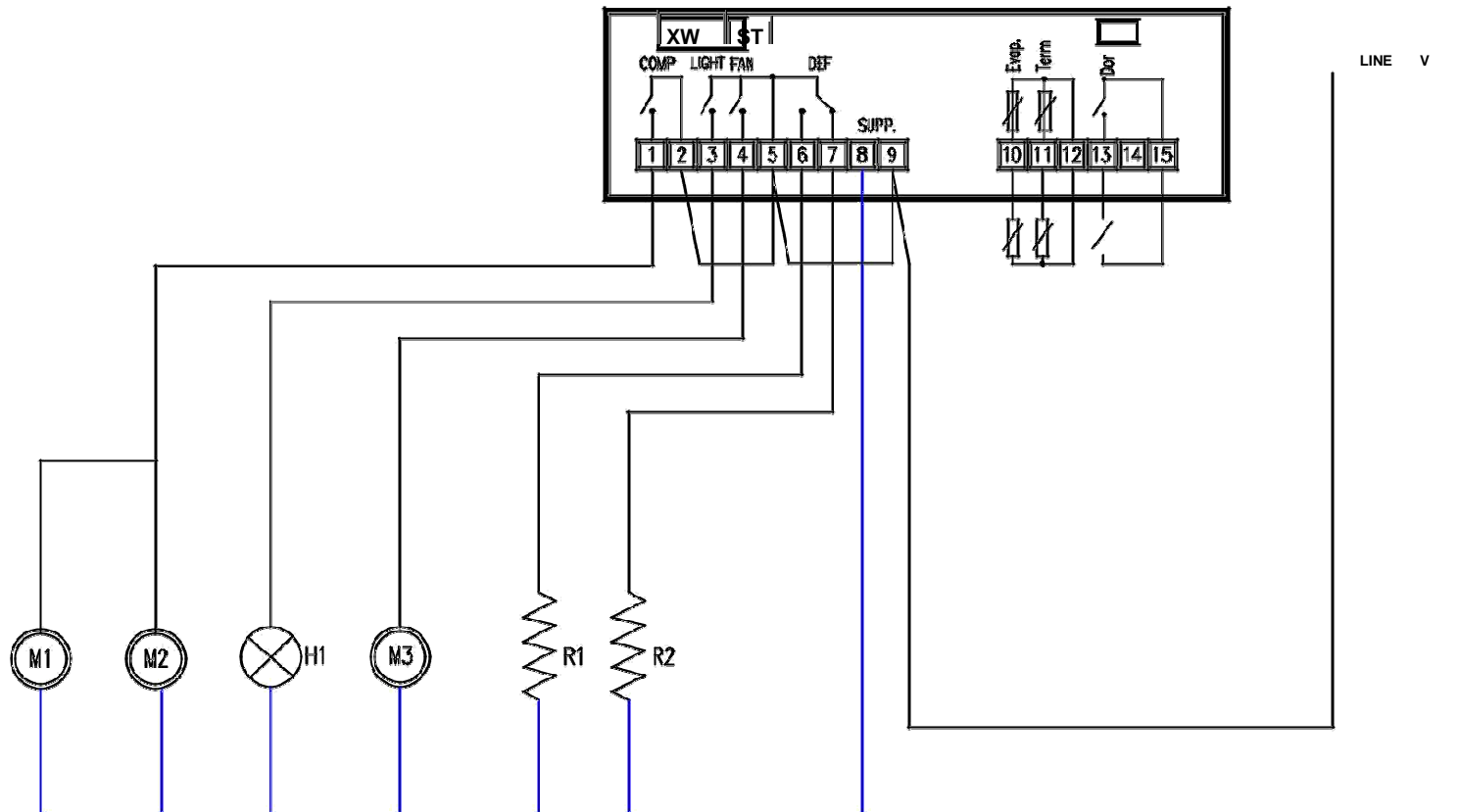


Schaltplan

Umluft-Tablettkühlschrank TB-KS 511 Inox

[Art. 308100100]





MOD. KKL3	SCHEMA ELETTRICO	COD: NORD02	SYZE 700It	TYPE -2/+8	DRAWN	DATE 06.12.2016	SIGN. Bee	SUBSTITUTES Nø
	WIRING DEAGRAM	REL. 1.0	SUPPLY 230/1/50		AUDITEN	DATE	SIGN.	SUBSTITUTES BY Nø

BY TERMS OF LAW DRAWING CANNOT BE REPRODUCED WITHOUT OUR WRITTEN AUTHORIZATION

BY TERMS OF LAW DRAWING CANNOT BE REPRODUCED WITHOUT OUR WRITTEN AUTHORIZATION

NordCap GmbH & Co. KG
Thalendorststraße 15
28307 Bremen
Hauptsitz (Service, Finanzen & Personal, Lager, IT, Marketing)

Telefon: +49 421 48557-0
Telefax: +49 421 488650
E-Mail: bremen@nordcap.de

Die NordCap Verkaufsniederlassungen in Deutschland:

Nord: Hamburg • Ost: Berlin • Süd: Ingelheim • West: Erkrath

