

Ersatzteilliste-Explosionszeichnung Umluft-Gewerbekühlschrank **KU 400-G CHR**

[Art. 402729446]



400 lt

Ventilated Refrigerator full and glass door with digital control R600A

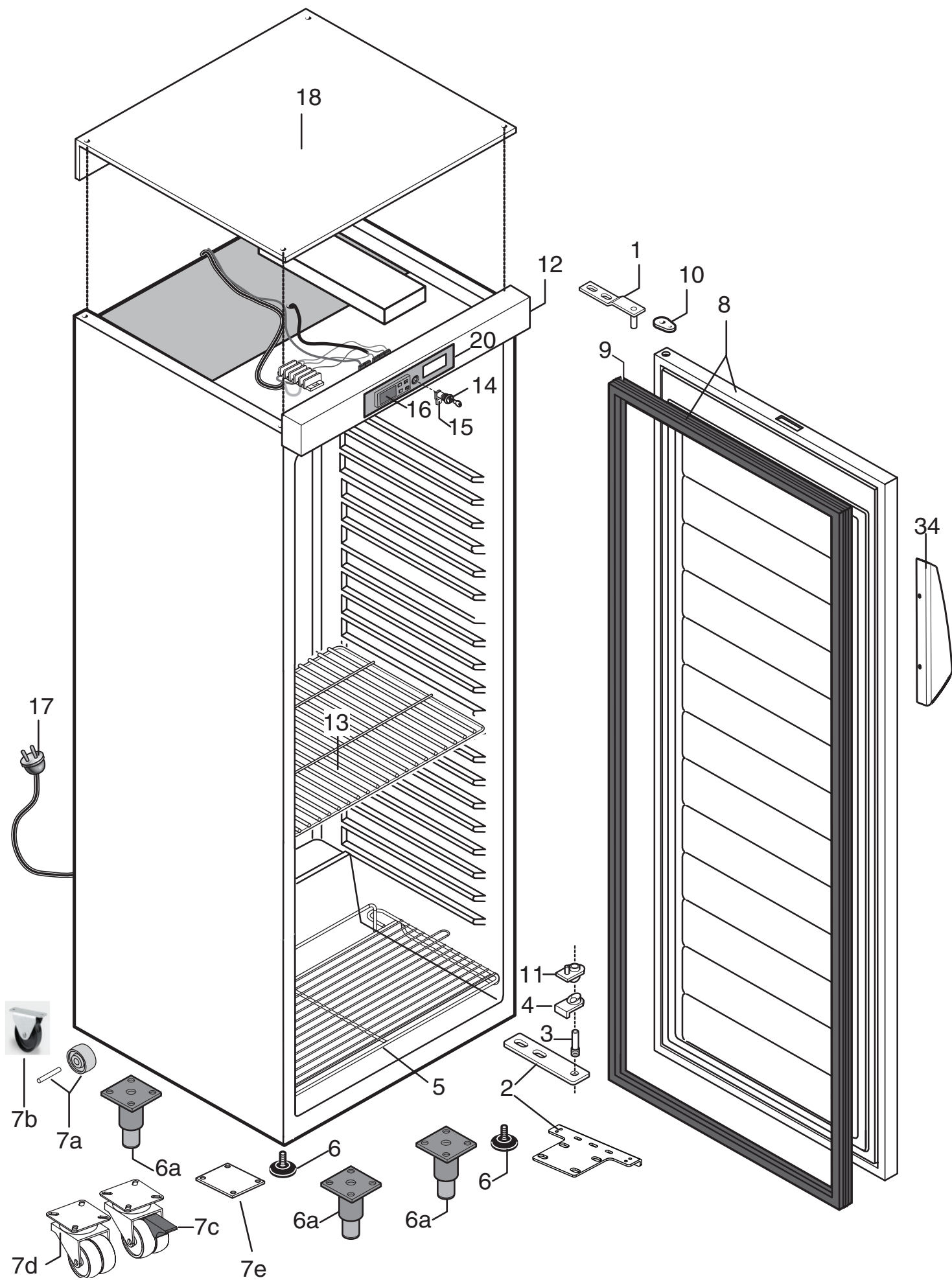
Code	Av	Model	Type	Ref.	Brand	Page
111151	00	Z4PVF4SUK	1-DOOR REF+WHEELS LEFT HINGED-DIG.400L 0°+10°C-SS-UK-R600a	u	Zanussi	2-4
111152	00	Z4PVFWG	1-DOOR REFRIGER. 400 LT 0+10°C-WHITE-UK-R600a	v	Zanussi	2-4
111153	00	Z4PVF4	1-DOOR REFRIGERATOR 400 LT 0+10°C-S/S-R600a	w	Zanussi	2-4
111154	00	Z4PVFW	1-DOOR REFRIGERATOR 400 LT 0+10°C-WHITE-R600a	x	Zanussi	2-4
111155	02	Z4PVG4	1-GLASS DOOR REFRIGER. 400 L 0+10°C-S/S, LED, R600a	a	Zanussi	3-4
111156	01	Z4PVGW	1-GLASS DOOR REFRIGER.400LT 0+10°C-WHITE, LED, R600a	b	Zanussi	3-4
111159	00	Z4PVF4UK	1-DOOR REFR+WHEELS-DIGITAL-400L 0°+10°C-SS-GK UK-R600a	y	Zanussi	2-4
190AGW	00	Z4PVG4	1-GLASS D REF. 400 L 0+10°C, R600a-UK	s	Zanussi	3-4
190AP3	00	R04PVGW	1-GLASS DOOR REFRIGERATED 400LT 0+10°C-WHITE, LED,-R600a	a2	ELUX	3-4
191051	00	R04PVG4	1-GLASS DOOR REFRIGER. 400L 0+10°C-S/S,LED,R600a,UK PLUG	t	ELUX	3-4
729441	00	A4PVF4UK	1DR(R)DIG.REFR+WHLS 400L 0°+10°C-SS-GK UK R600a	y2	Alpen	2-4
729442	00	A4PVF4SUK	1DR(L)DIG.REFR+WHLS 400L 0°+10°C-SS-GK UK R600a	u2	Alpen	2-4
729443	00	A4PVFWG	1-DOOR REFRIGER. 400 LT 0+10°C-WHITE-UK R600a	v2	Alpen	2-4
729444	00	A4PVF4	1-DOOR REFRIGERATOR 400 LT 0+10°C-S/S R600a	w2	Alpen	2-4
729445	00	A4PVFW	1-DOOR REFRIGERATOR 400 LT 0+10°C-WHITE R600a	x2	Alpen	2-4
729446	01	A4PVG4	1-GLASS DOOR REFRIGER. 400 L 0+10°C-S/S, LED, R600a	e	Alpen	3-4
729447	01	A4PVGW	1-GLASS DOOR REFRIGER.400LT 0+10°C-WHITE, LED, R600a	f	Alpen	3-4
730040	03	R04PVFWCC	1-DOOR REF.+WHLS 400L 0°+10° WHITE, UK COSTAC	a1	Electrolux	2-4
730041	02	R04PVFWCC	1-DOOR REF.+WHLS 400LT 0°+10°C WHITE, UK-LEFT COSTAC	b1	Electrolux	2-4
730044	00	R04PVW6CC	1-DOOR REFRIG.-400 LT WHITE 0°+10°C UK + WHEELS, Right H., R600a COSTA COFFEE	c1	Electrolux	2-4
730045	00	R04PVF- W6CC	1-DOOR REFRIG.-400 LT WHITE 0°+10°C UK + WHEELS, Left H., R600a COSTA COFFEE	d1	Electrolux	2-4
730046	02	R04PVG4	1-GLASS DOOR REFRIGER. 400 L 0+10°C-S/S, LED, R600a	i	Electrolux	3-4
730047	01	R04PVGW	1-GLASS DOOR REFRIGER.400LT 0+10°C-WHITE, LED, R600a	l	Electrolux	3-4
730052	00	R04PVF4GK	1-DOOR(R)DIG.REFR+WHLS 400L 0°+10°C-SS-GK UK-R600a	y1	ELUX	2-4
730053	00	R04PVF4SGK	1-DOOR(L)DIG.REFR+WHLS 400L 0°+10°C-SS-GK UK-R600a	u1	ELUX	2-4
730054	00	R04PVFWG	1-DOOR REFRIG.-400 LT WHITE 0°+10°C UK-R600a	v1	ELUX	2-4
730055	00	R04PVF4	1-DOOR REFRIGERATOR 400 LT 0+10°C-S/S-R600a	w1	ELUX	2-4
730056	00	R04PVFW	1-DOOR REFRIGERATOR 400 LT 0+10°C-WHITE-R600a	x1	ELUX	2-4
730061	01	N4PVG4	1-GLASS DOOR REFRIGER. 400 L 0+10°C-S/S, LED, R600a	o	OEM	3-4
730062	01	N4PVGW	1-GLASS DOOR REFRIGER.400LT 0+10°C-WHITE, LED, R600a	p	OEM	3-4

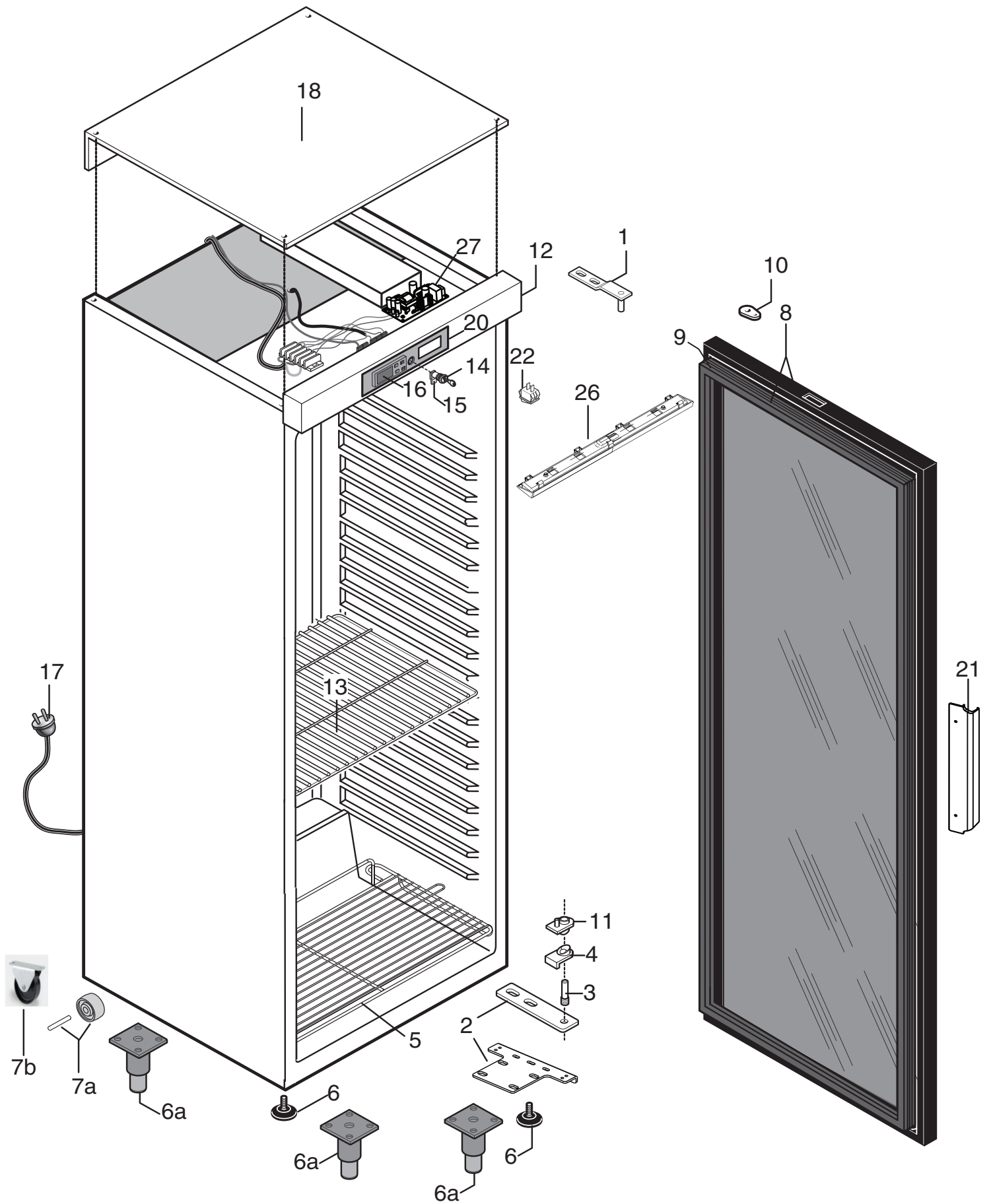
NOTE: update code: please, refer to the parameters list in web site in order to set thermoregulator

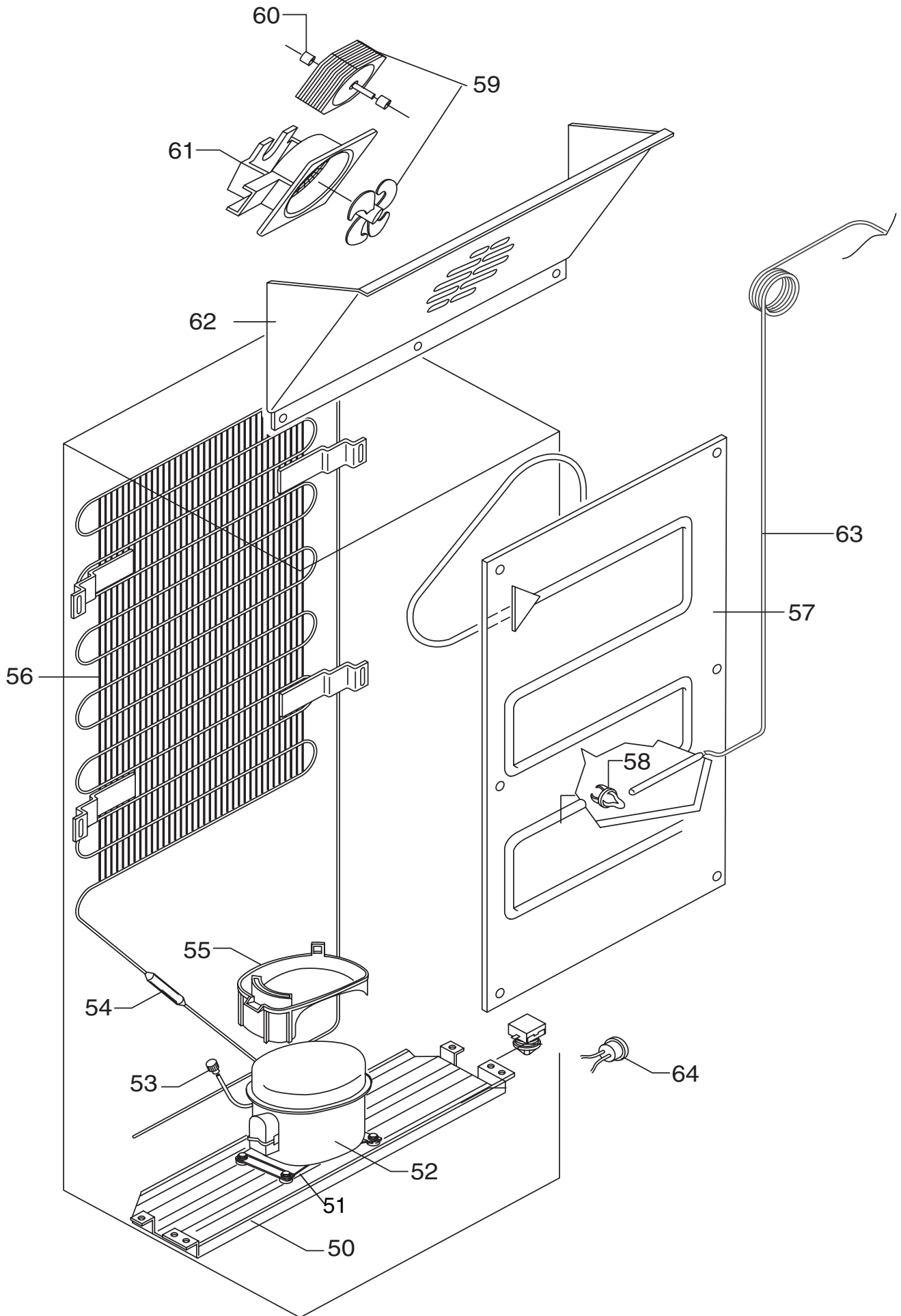
Pag./Page	Indice	Index
2,3	Armadio e porta	Cabinet and door
4	Gruppo refrigerante	Cooling unit
5,6,7	Lista ricambi	Spare parts list

Rev.4

Marchio / Brand:	Tutti / All
Paese / Country:	Tutti / All







Pos	Code	Descrizione	Description	Ref./Notes
		PAGINE 2-3-4	PAGES 2-3-4	
1	084148	Staffa superiore	Upper bracket	a,b,e,f,i,l,o,p,s,t,a2
1	0A9266	Staffa superiore	Upper bracket	u,v,w,x,y,a1,b1,c1,d1, u1,v1,w1,x1,y1, u2,v2,w2,x2,y2
2	0A9549	Staffa inferiore	Lower bracket	b,f,l,p,v,x,v1,x1,v2,x2 a1,b1 up to 6411
2	094560	Staffa inferiore	Lower bracket	a,e,i,o,q,s,t,u,w,y,u1, w1,y1,u2,w2,y2 a1,b1,c1,d1, from 6421
3	082962	Perno	Pin	
4	082964	Boccola con perno inferiore	Lower bush with pin	
5	095609	Griglia inferiore	Lower grate	
6	083079	Piedino	Foot	b,f,l,p,v,x,v1,x1,a2,v2,x2
6a	089140	Piedino	Foot	a,e,i,o,s,t,w,w1,w2
7a	084211	Ruota kit DERBY	Castor kit DERBY	b,f,l,p till 6411
7b	095090	Ruota TENTE	Wheel TENTE	b,f,l,p,v,x,a2 from 6421
7c	087110	Ruota con freno	Wheel Castor with brake	u,y,a1,b1,c1,d1,u1,y1, u2,y2
7d	087111	Ruota senza freno	Wheel Castor without brake	u,y,a1,b1,c1,d1,u1,y1, u2,y2
7e	095163	Distanziale in PVC per ruote	Spacer PVC for wheels	u,y,a1,b1,c1,d1,u1,y1, u2,y2 - 100x80x2 mm
8	095641	Porta vetro grigia	Glass door grey	a,e,i,o,s,t
8	095642	Porta vetro bianca	Glass door white	b,f,l,p,a2
8	094548	Porta con new guarni. e manigl.	Door whit new gasket and handle	u,w,y,u1,w1,y1, u2,w2,y2
8	095489	Porta con new guarni. e manigl.	Door white new gasket and handle	v,x,v1,x1,v2,x2
8	094549	Porta PVB con guarnizione	Door white with gasket	a1,b1,c1,d1
9	092268	Guarniz. porta porta vetro	Door gasket glass	a,b,e,f,i,l,o,p,s,t,a2
9	094399	Guarnizione porta	Door gasket	u,v,w,x,y,a1,b1,c1,d1, u1,v1,w1,x1,y1,u2,v2, w2,x2,y2 standard for all model excluded the glass door to set by pull from 5041000 - 2015/W04
10	0A9096	Boccola per staffa	Bush	u,v,w,x,y,a1,b1,c1,d1, u1,v1,w1,x1,y1,u2,v2, w2,x2,y2
11	082965	Boccola elicoidale	Upper bush with pin	a,b,e,f,i,l,o,p,s,t,a2
11	0A9092	Boccola elicoidale	Upper bush with pin	u,v,w,x,y,a1,b1,c1,d1, u1,v1,w1,x1,y1,u2,v2, w2,x2,y2
12	096417	Cruscotto	Control panel	a,e,i,o,s,t,u,w,y, u1,w1,y1,u2,w2,y2
12	095608	Cruscotto	Control panel	b,f,l,p,v,x,c1,d1,v1,x1, v2,x2
12	850R17801	Cruscotto	Control panel	a1,b1 up to 7381
12	095608	Cruscotto	Control panel	a1,b1 from 7391
13	0A8650	Griglia rilsan bianca	White grate	
14	0A8655	Serratura	Lock	

Pos	Code	Descrizione	Description	Ref./Notes
15	099623	Particolare per serratura	Lock accessory	
16	091609	Termoregolatore (by Carel)	Termoregulator (by Carel)	a1,b1 to be set
16	093532	Termoregolatore (by Carel)	Termoregulator (by Carel)	a,b,e,f,i,l,o, p,s,t,u,v,w,x,y,c1,d1, u1,v1,w1,x1,y1,a2,u2, v2,w2,x2,y2 to be set
17	099991	Cavo alimentazione	Power supply cable	a,b,e,f,i,l,o,p,w,x,w1, x1,a2,w2,x2
18	095594	Coperchio superiore bianco	Top panel white	b,f,l,p,v,x,a1,b1,c1,d1, v1,x1,a2,v2,x2
18	503R75800	Coperchio superiore	Top panel	a,e,i,o, s,t,u,w,y,u1,w1,y1, u2,w2,y2
20	095504	Membrana Zanussi	Zanussi membrane	For Zanussi products
20	095505	Membrana Electrolux	Electrolux membrane	For Elux products
20	095506	Membrana Alpeninox	Alpeninox membrane	For Alpen products
20	092247	Adesivo per cruscotto	Stiker to brand	For OEM products
21	087437	Maniglia per porta	Door Handle	a,b,e,f,i,l,o,p,s,t,a2
22	083042	Interuttore luce	Switch ON OFF light	a,b,e,f,i,l,o,p,s,t,a2
26	095640	Assieme lampada	Lamp assembly	a,b,e,f,i,l,o,p,s,t,a2
27	095639	Reattore 12V 30W	Power supply 12V 30W	a,b,e,f,i,l,o,p,s,t,a2
34	093797	Maniglia acciaio	Steel handle	u,v,w,x,y,a1,b1,c1,d1, u1,v1,w1,x1,y1,u2,v2, w2,x2,y2
		PAGINE 5-6	PAGES 5-6	
50	876719508	Traversa supporto gruppo	Cooling support	
51	087122	Dispositivo fiss.Compressore	Compressor fixing	
52	094811	Compressore GVM57AA R134a	Compressor GVM57AA R134a	a1,b1 up to 6411
52	094808	Compressore DANFOSS TLES5.7FT.3	Compressor DANFOSS TLES5.7FT.3	a1,b1 from 6421
52	095607	Compressore. TB1114Y	Compressor TB1114Y	a,b,e,f,i,l,o,p,s,t,u,v,w,x, y,c1,d1,u1,v1,w1,x1,y1, a2,u2,v2,w2,x2,y2
53	0A8171	Valvolina di ricarica comp.	Discharge /charge valve compressor	
54	099629	Filtro deidratore	Dehidrator filter	
55	092254	Bacinella racc.condensa (GVM57AA)	Container compr GVM57AA	a1,b1 up to 6411
55	094813	Bacinella racc.condensa (TLES5)	Container comp. (TLES5)	a1,b1 from 6421
55	095606	Bacinella racc.condensa (TB1114Y)	Container comp. (TB1114Y)	a,b,e,f,i,l,o,p,s,t,u,v,w,x, y,c1,d1,u1,v1,w1,x1,y1, a2,u2,v2,w2,x2,y2
56	093074	Condensatore a piastra	Condenser	
57	0A9550	Piastra evaporante	Evaporator	
58	088602	Gabbietta per sonda	Probe support	
59	0A9308	Ventilatore cella	Cooling fan	

Pos	Code	Descrizione	Description	Ref./Notes
60	0A8719	Gommino	Bumper	
61	0A9066	Supporto ventilatore	Ventilator support	
62	083096	Convogliatore evaporatore	Conveyor	
63	092173	Sonda Cella (blu) L=1500	Cell Probe (blue) L=1500	a,b,e,f,i,l,o,p,s,t,u,w,y, u1,v1,w1,x1,y1,a2,u2, v2,w2,x2,y2
63	092174	Sonda Cella (blu) L=2000	Sonda Cella (blu) L=2000	v,x,a1,b1,c1,d1
64	*	Protettore TLES5	Protector TLES5	a1,b1
64	*	Protettore TB1114Y	Protector TB1114Y	a,b,e,f,i,l,o,p,s,t,u,v,w,x, y,c1,d1,u1,v1,w1,x1,y1, a2,u2,v2,w2,x2,y2
*	880539	Kit 2 ruote CASTOR 400 lt (7c+7d)	Kit 2 wheels CASTOR 400 lt (7c+7d)	



NordCap GmbH & Co. KG
Thalendorststraße 15
28307 Bremen
Hauptsitz (Service, Finanzen & Personal, Lager, IT, Marketing)

Telefon: +49 421 48557-0
Telefax: +49 421 488650
E-Mail: bremen@nordcap.de

Die NordCap Verkaufsniederlassungen in Deutschland:

Nord: Hamburg • Ost: Berlin • Süd: Ingelheim • West: Erkrath



ALPENINOX