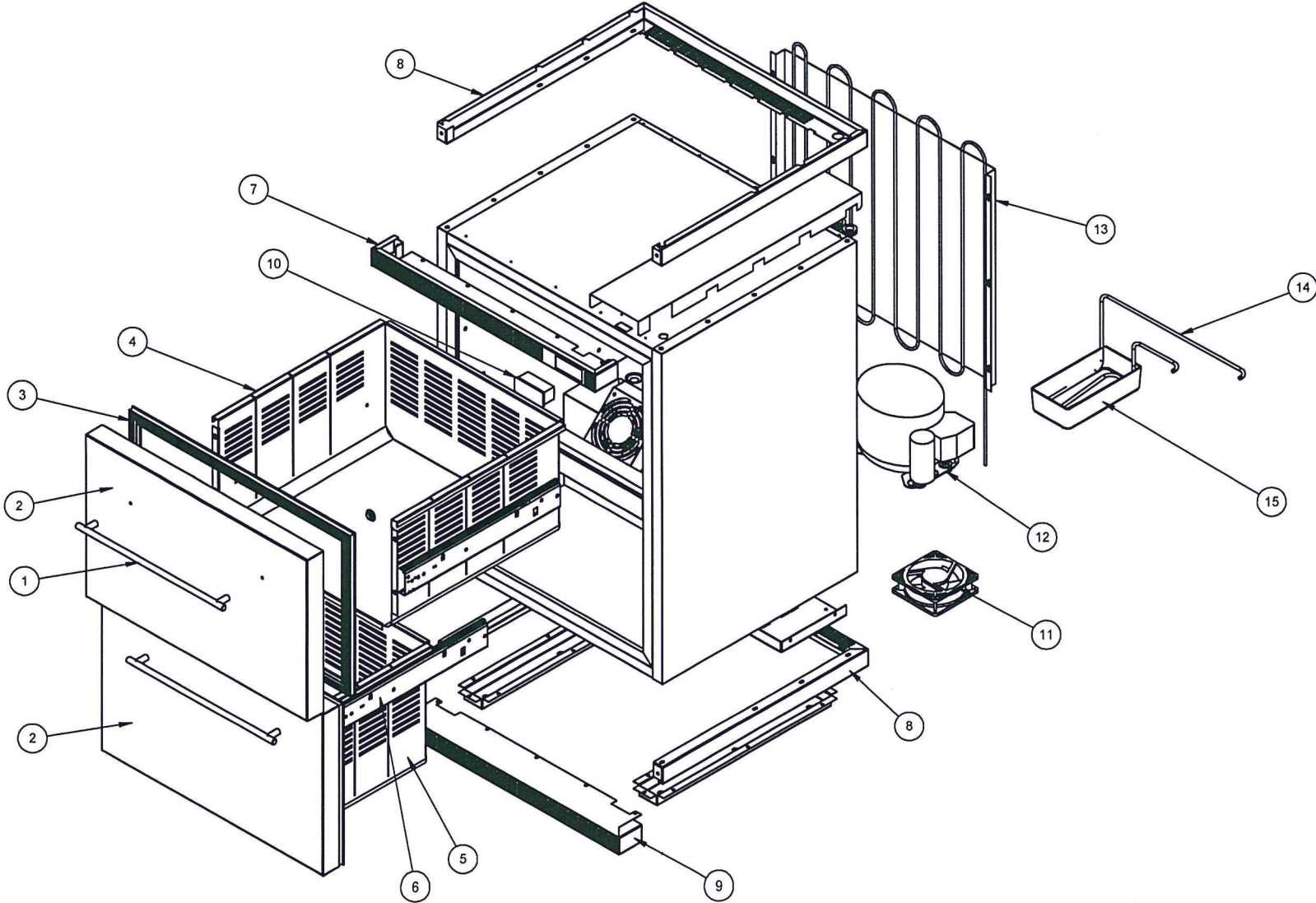


# HAMBURG 2 180-2-Z

[Art. 3081180002Z]



**F57K01\*H11 CABINET 140LT NORMAL TEMPERATURE HAMBURG PLASTIFIED W/DRAWERS**

<b>Exploded view number</b>	<b>Spare-part number</b>	<b>Description</b>	<b>Min. order quantity</b>	
1	CGMA*045	HANDEL TUBE D.12 L=392 S/STEEL	1	
2	F57M01*000	FRONT DRAWER CABINET 140LT	1	
3	SG00G545G	GASKET 036 0573X0358	5	
4	F57Z15*000	SUPERIOR PANEL DRAWER	1	
5	F57Z16*010	INFERIOR PANEL DRAWER	1	
6	SGGU*015	KIT OF 2 GUIDES S/STEEL L=415 FR785SCC FULTERER	1	
7	F57Z18*010	FRONT PANEL CABINET 140LT	1	
8	F57Z12A000	LATERAL PANEL CABINET 140LT AISI 430	1	
9	F57Z21*000	INFERIOR FRONT PANEL CABINET 140LT	1	
10	UNEL*081	TELETHERMOSTAT EVCO mod. EV3 X21 N7	1	
11	UNVE*004	COOLING FAN PAPST 120x120x38	1	
12	UN00*376	COMPRESSOR EMT 45 HDR - 194LA47B1AG N (105174)	1	
13	UN00*378	CONDENSER 500X590 10 TUBES	1	
14	SGSP*007	EVAPORATION COPPER TUBE FOR HOT GAS	1	
15	SG417008	AUTOEVAP. TRAY IN PVC	1	