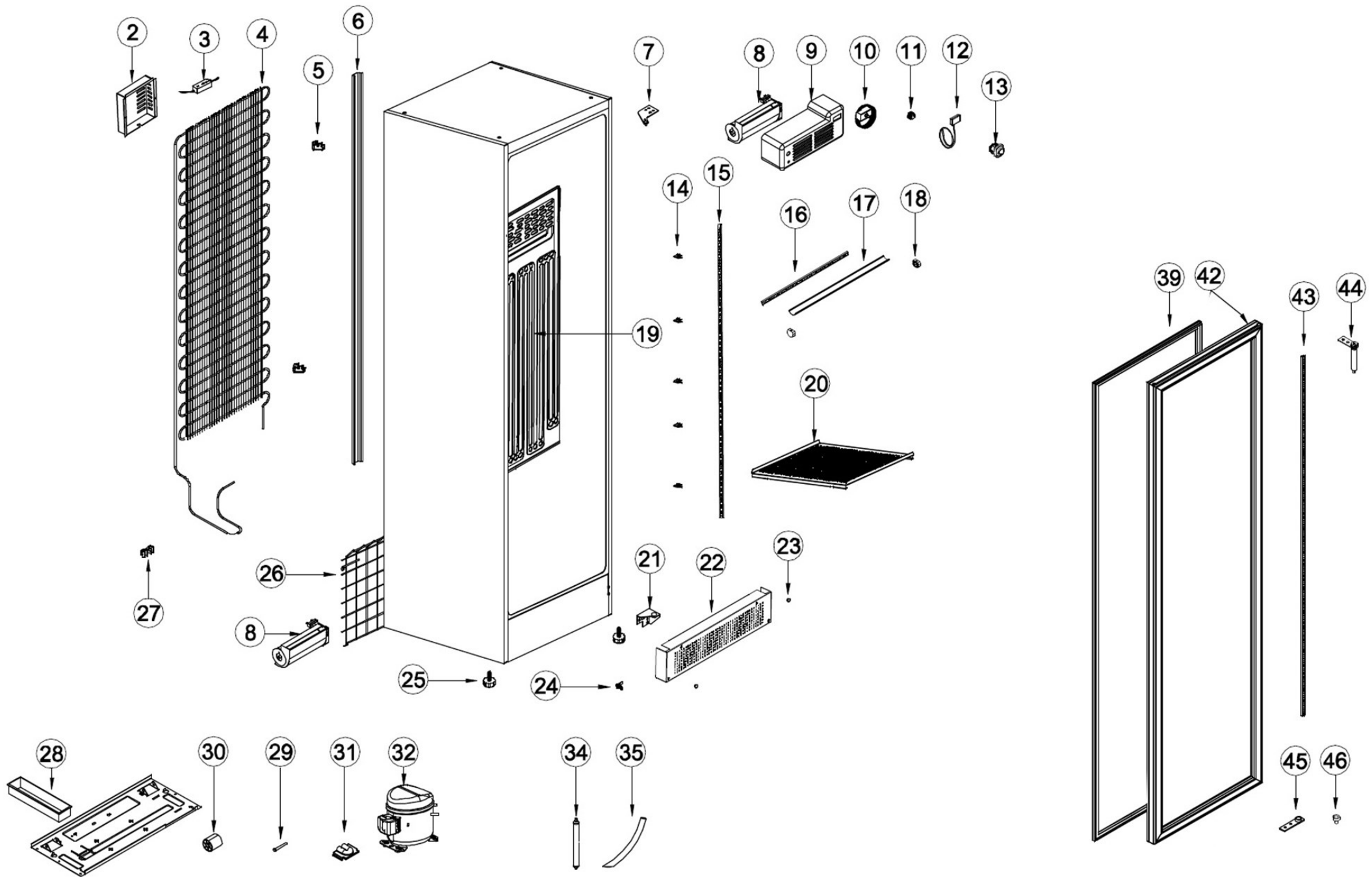


Ersatzteilliste-Explosionszeichnung

Flaschenkühlschrank SCU 1425

[Art. 4358001425]





Position	ItemNo	Description
02	15347	Cover For Ballast
03	15629	LED Power Supply 12 V 35 W
04	33332	Condenser
05	14199	Holder For Condenser 2015
06	33333	Cover For Wires
07	16642	Top Hinge Right
08	13531	Fan Motor Int/Ext
09	33334	Cover For Internal Fan Black
10	13998	Thermostat K50B-S16176 R600
11	14014	Thermostat Knob
12	33379	Digital Thermometer w/Black Frame
13	33336	Light Switch Black
14	32062	Clip For Shelf Black
15	33337	Rail For Shelves Black 1374 mm.
16	33338	460 mm LED Strip 6500K 7LM
17	33339	LED Cover
18	33340	End Cap LED Light Black
19	33341	Roll Bond Evaporator Black
20	32102	Wire Shelf Black
21	12764	Bottom Hinge Pin For Wires
22	33342	Bottom Panel Hexagonal
23	11243	Cover For Screw
24	10715	Lock With Keys
25	14565	Adjustable Foot
26	11238	Rear Grill Black
27	14198	Fixing Clamp For Condenser
28	11470	Drip Tray
29	14614	Pin For Big Roller
30	14607	Big Plastic Roller
31	13610	Cable Clamp
32	33343	Compressor TT1117GY R600a
34	15721	Filter Drier 20 G
35	11442	Drain Pipe
39	33344	Door Gasket Black
42	33345	Frameless Door Complete
43	15636	LED Strip
44	12820	Door Spring Right
45	12852	Hinge
46	12875	Hinge Spring Cover

2021-05-07

NordCap GmbH & Co. KG
Thalenhorststraße 15
28307 Bremen
Hauptsitz (Service, Finanzen & Personal, Lager, IT, Marketing)

Telefon: +49 421 48557-0
Telefax: +49 421 488650
E-Mail: bremen@nordcap.de

Die NordCap Verkaufsniederlassungen in Deutschland:

Nord: Hamburg • Ost: Berlin • Süd: Ingelheim • West: Erkrath

