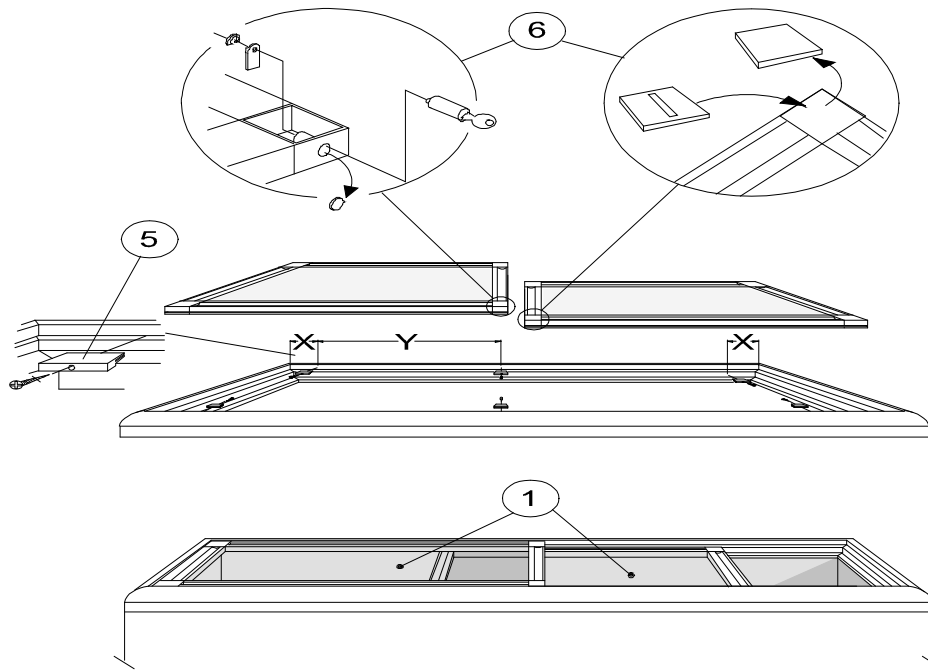


Ersatzteilliste-Explosionszeichnung

Labor-Tiefkühltruhe Serie **EL LT**



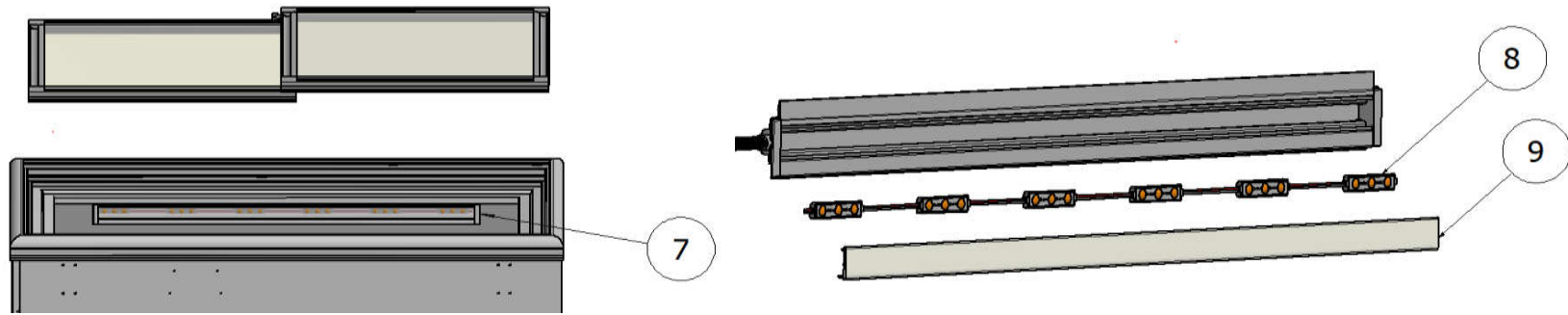


X = 100 mm

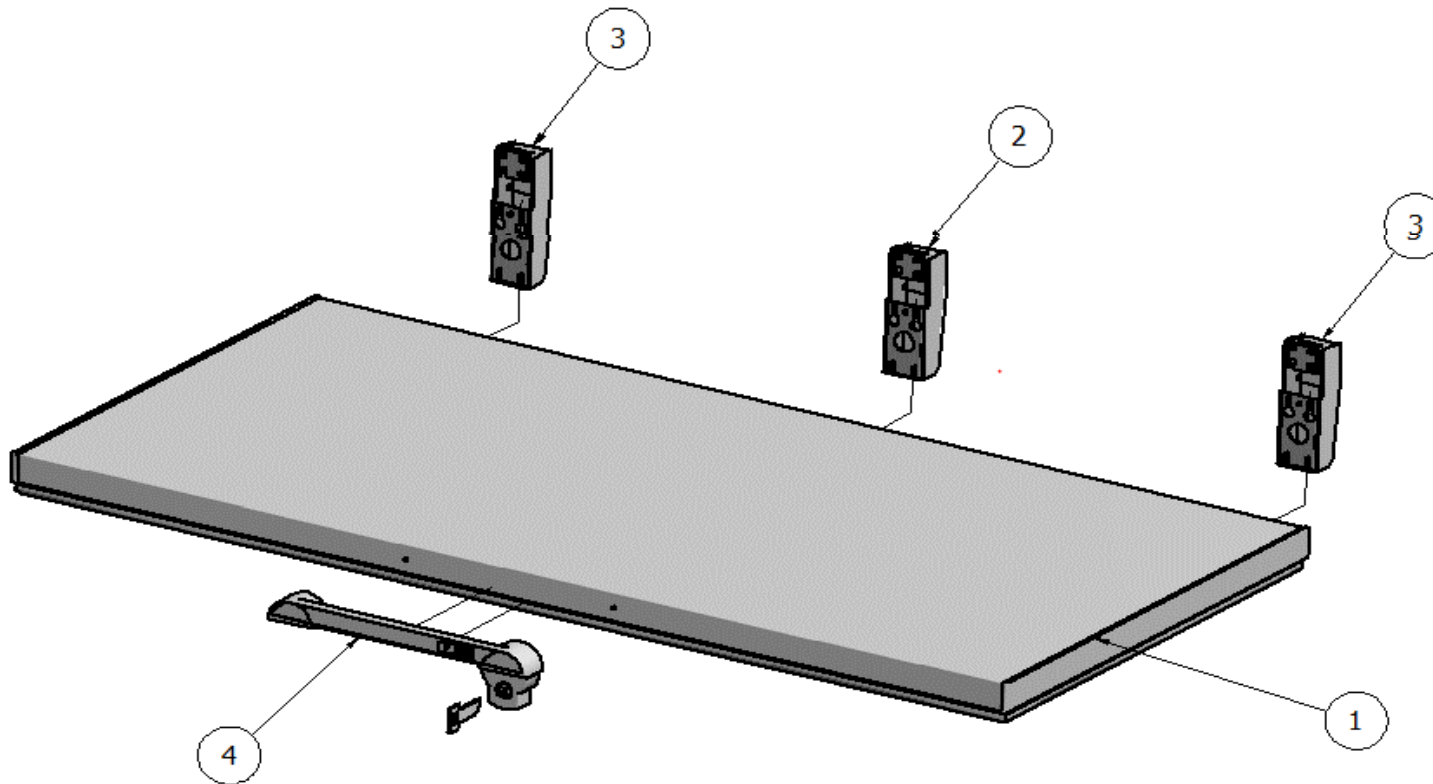
Y {

- 22 = 165 mm
- 35 = 340 mm
- 45 = 460 mm
- 53 = 535 mm
- 51 = 645 mm

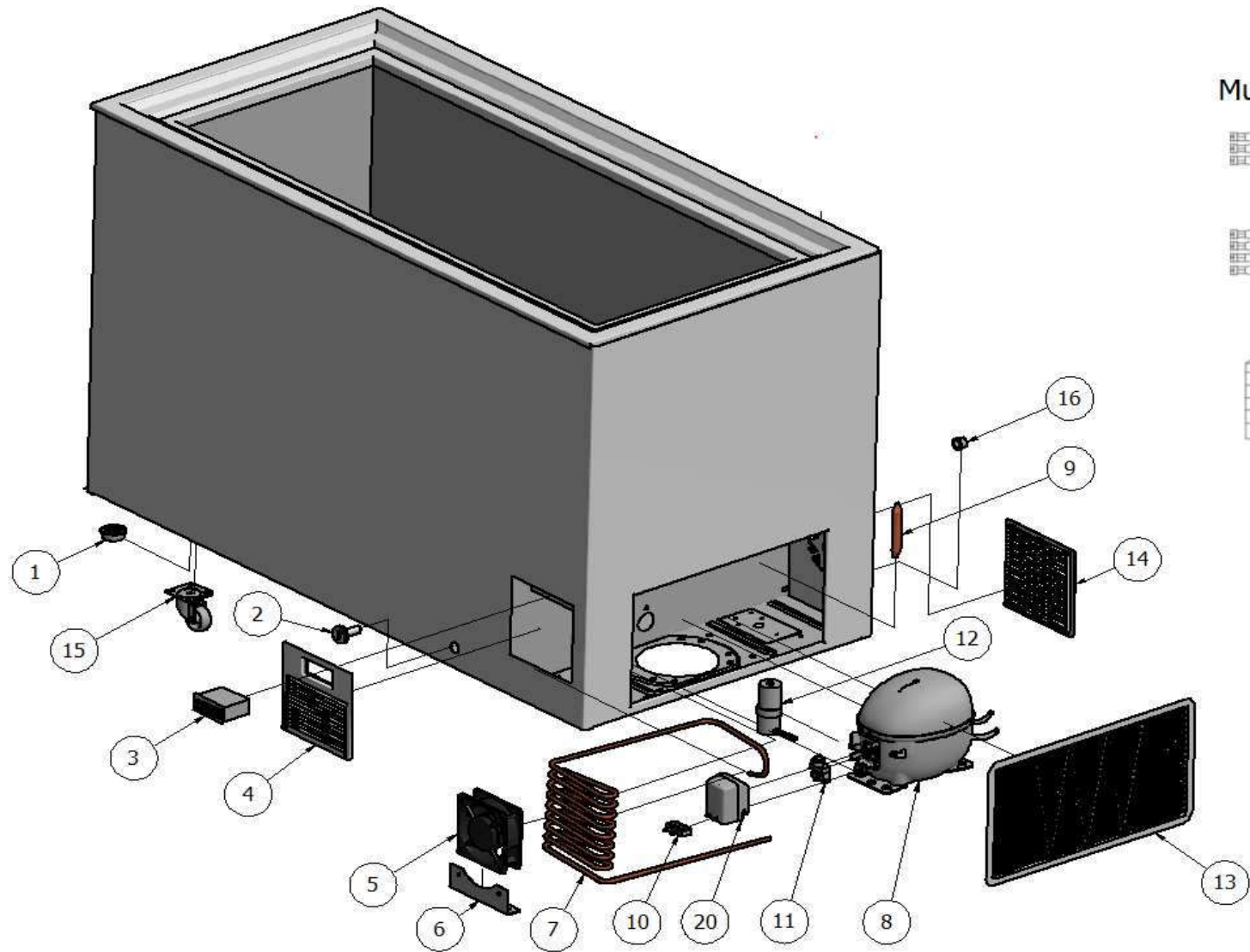
ITEM NO.	PCS	DESCRIPTION	MODEL 11		MODEL 21		MODEL 31		MODEL 41		MODEL 51	
			CODE		CODE		CODE		CODE		CODE	
1	1	Glass Lid upper with lock	8014.0100		8014.0200		8014.0300		8014.0400		8014.0500	
1	1	Glass Lid lower with lock	8014.0101		8014.0201		8014.0301		8014.0401		8014.0501	
1	1	CAL lid upper with lock	8011.0100		8011.0200		8011.0300		8011.0400		8011.0500	
1	1	CAL lid lower with lock	8011.0101		8011.0201		8011.0301		8011.0401		8011.0501	
5	6	Dowels (SG4 lock)	SP1993		SP1993		SP1993		SP1993		SP1993	
6	1	Lock kit complete	82CYL1SG 4		82CYL1SG 4		82CYL1SG 4		82CYL1SG 4		82CYL1SG 4	
6	2	Key	NoegleCYLFFC5		NoegleCYLFFC5		NoegleCYLFFC5		NoegleCYLFFC5		NoegleCYLFFC5	



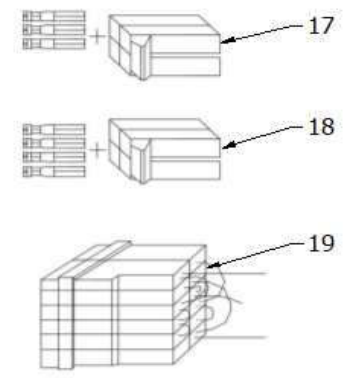
8	1	LED LIGHTS	LED6		LED6		LED7		LED8		LED9	
9	1	CLEAR LIGHT COVER	P-PROFIL02		P-PROFIL02		P-PROFIL02		P-PROFIL02		P-PROFIL02	
10	1	POWER SUPPLY 115/230V	PSU3		PSU3		PSU3		PSU3		PSU3	



ITEM NO.	PCS	DESCRIPTION	MODEL 11	MODEL 21	MODEL 31	MODEL 41	MODEL 51
			CODE	CODE	CODE	CODE	CODE
1	1	Lid w/o hinges	8010.0100	8010.0200	8010.0302	8010.0402	8010.0502
2	1	Hinge w/o spring	-	-	Haeng 00	Haeng 00	Haeng 00
3	1	Hinge set	Haeng42 Haeng42	Haeng 46 Haeng 46	Haeng 46 Haeng 46	Haeng 49 Haeng 49	Haeng 49 Haeng 49
4	1	Plastic grip with lock	EPCH	EPCH	EPCH	EPCH	EPCH



Multi Plugsystem



ITEM NO.	PCS	DESCRIPTION	MODEL 11	MODEL 21	MODEL 31	MODEL 41	MODEL 51
			CODE	CODE	CODE	CODE	CODE
1	4	Plastic foot	SP1412 SP1413	SP1412 SP1413	SP1412 SP1413	SP1412 SP1413	SP1412 SP1413
2	1	Stopper for drain	E1HU	E1HU	E1HU	E1HU	E1HU
4	1	Front grill C. in top	E50HT2	E50HT2	E50HT2	E50HT2	E50HT2
6	1	Bracket for fan	Beslag BL	Beslag BL	Beslag BL	Beslag BL	Beslag BL
7	1	Precondensor	Forkondl1	Forkondl1	Forkondl1	Forkondl1	Forkondl1
9	1	Filter dryer	Filter6XH9	Filter6XH9	Filter6XH9	Filter6XH9	Filter6XH9
13	1	Cover for motor room	SP1417	SP1417	SP1417	SP1417	SP1417
14	1	Square grill	E51H	E51H	E51H	E51H	E51H
15	1	Wheels set(2 w. brake)	8100.0202	8100.0202	8100.0202	8100.0202	8100.0202
16	1	Cable retainer	E59Aflast1	E59Aflast1	E59Aflast1	E59Aflast1	E59Aflast1
17	1	Plug w th two pins					
18	1	Plug w th four p ns					

230 volt 50 Hz

STANDARD

3	1	Electronic thermostat Incl. sensor	DIXELL 30CH2	DIXELL 30CH2	DIXELL 30CH2	DIXELL 30CH2	DIXELL 30CH2
5	1	Fan230V	BLAES230 HBT	BLAES230 HBT	BLAES230 HBT	BLAES230 HBT	BLAES230 HBT
8	1	Compressor 230V 50HZ, R290	NEU2140U	NEU2155U	NEU2168U	NEU2168U	NT2180U
19	1	Multiplug with cable	TSK0104	TSK0104	TSK0102	TSK0101	TSK0102
11	1	Starting relay	NEU2140URE	NEU2155URE	NEU2168URE	NEU2168URE	
12	1	Starting capacitor	NEU2140USK	NEU2155USK	NEU2168USK	NEU2168USK	
		Motor protector/ KLIXON	NEU2140UKL	NEU2155UKL	NEU2168UKL	NEU2168UKL	
20	1	Cover	103N2009	103N2009	103N2009	103N2009	103N2009
10	1	Cord relief	103N1004	103N1004	103N1004	103N1004	103N1004

115 volt 60 Hz

ULSPEC.

3	1	Electronic thermostat Incl. sensor	DIXELL 30CH1	DIXELL 30CH1	DIXELL 30CH1	DIXELL 30CH1	DIXELL 30CH1
5	1	Fan115V	BLAES115 HBT	BLAES115 HBT	BLAES115 HBT	BLAES115 HBT	BLAES115 HBT
8	1	Compressor 120V 60HZ, R290	NEU2140U1	NEU2155U1	NEU2168U1	NT2170UV1	NT2180UV1
19	1	Multiplug with cable	TSKU0101	TSKU0101	TSKU0001	TSKU0001	TSKU0001
12	1	Starting relay	NEU2140U1RE	NEU2155U1RE	NEU2168U1RE	NT2170UV1RE	NT2180UV1RE
13	1	Starting capacitor	NEU2140U1SK	NEU2155U1SK	NEU2168U1SK	NT2170UV1SK	NT2180UV1SK
	1	Motor protector/ KLIXON	NEU2140U1KL	NEU2155U1KL	NEU2168U1KL	NT2170UV1KL	NT2180UV1KL

230 volt 60 Hz

KTC SPEC.

3	1	Electronic thermostat 230V Incl. sensor	DIXELL30CH2				
5	1	Blæser 230V High speed	BLAES230 HBT				
8	1	Compressor 200-230V/50-60HZ R404A	NEU2140GK2				
20	1	Multiplug with cable	TSK0104				
12	1	Starting relay	117U6005				
13	1	Starting capacitor	117U5017				
21	1	Cover	103N2009				
11	1	Cord relief	103N1004				
10	1	Startkit complet					

NordCap GmbH & Co. KG
Thalenhorststraße 15
28307 Bremen
Hauptsitz (Service, Finanzen & Personal, Lager, IT, Marketing)

Telefon: +49 421 48557-0
Telefax: +49 421 488650
E-Mail: bremen@nordcap.de

Die NordCap Verkaufsniederlassungen in Deutschland:

Nord: Hamburg • Ost: Berlin • Süd: Ingelheim • West: Erkrath

