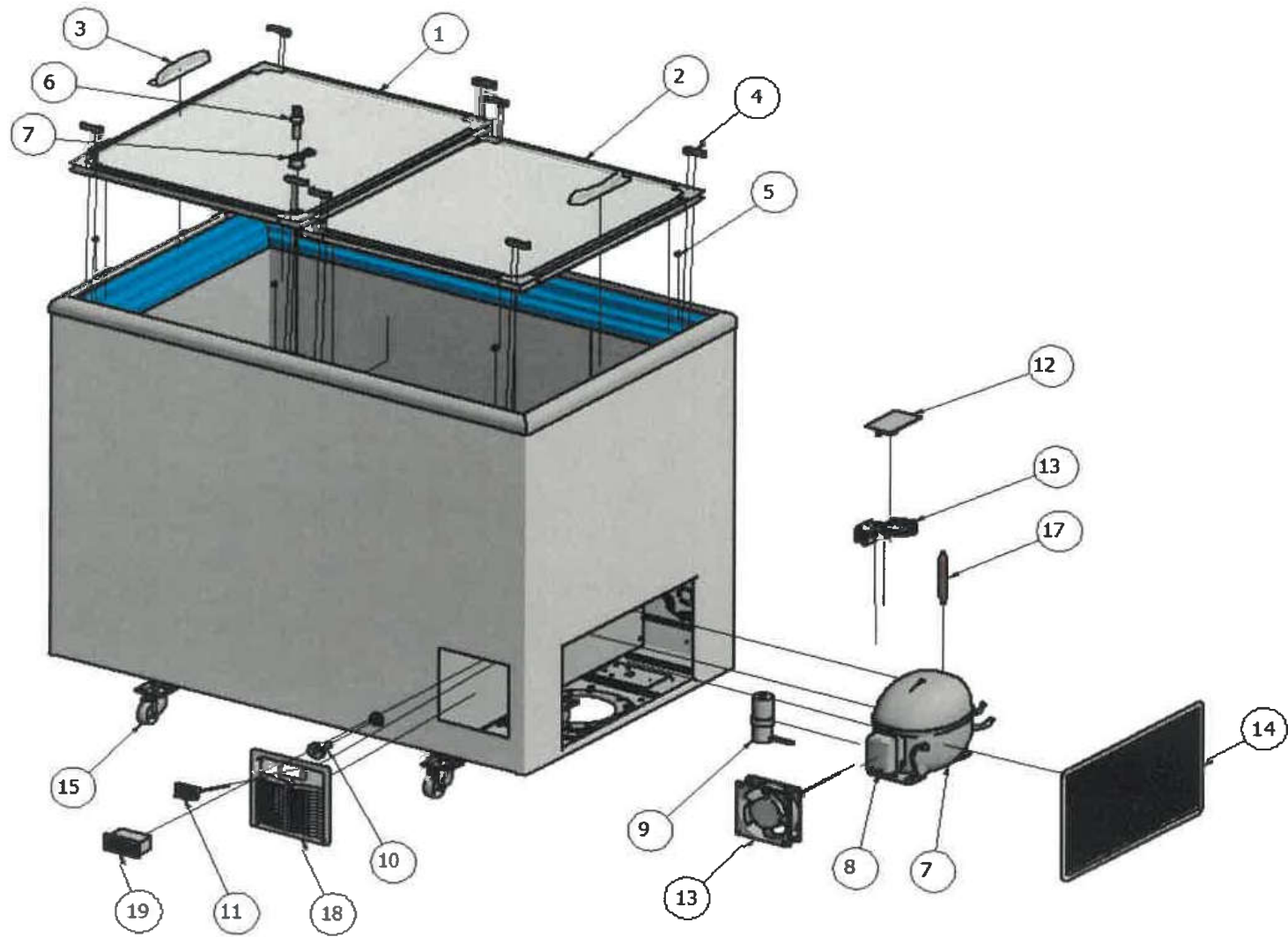


## Ersatzteilliste-Explosionszeichnung

Kühl- / Tiefkühlkombination Serie **CUBE-COMBI**





**SPAREPARTS LIST CUBE**

ITEM NO.	DESCRIPTION	CUBE 22	CUBE 35	CUBE 45	CUBE 53	CUBE 61
		CODE	CODE	CODE	CODE	CODE
<b>SLIDING GLASS LID</b>						
1	CUBE LID UPPER	8011.0112	8011.0212	8011.0312	8011.0412	8011.0512
2	CUBE LID LOWER	8011.0113	8011.0213	8011.0313	8011.0413	8011.0513
3	GREY HANDLE FOR LID	HÄND10	HÄND10	HÄND10	HÄND10	HÄND10
4	MINI CASTORS UNDER LID (4 PCS)	PLASTD5	PLASTD5	PLASTD5	PLASTD5	PLASTD5
5	DOWELS FOR LOCK (4 PCS)	PLASTD6	PLASTD6	PLASTD6	PLASTD6	PLASTD6
6	LOCK KIT COMPLETE	8100.0301	8100.0301	8100.0301	8100.0301	8100.0301
7	LOCK HOLDER IN UPPER GLASS	PLASTD31	PLASTD31	PLASTD31	PLASTD31	PLASTD31

**MOTOR COMPARTMENT**

7	COMPRESSOR 230V/50Hz - R600a CC.4	EMY80CLP	EMY80CLP	NLE15KK.4		-
8	STARTING RELAY	EMY80CLPRE	EMY80CLPRE			-
9	START CAPACITOR	-	-	-	-	-
7	COMPRESSOR 230V/50Hz - R290 CC.4	EMT2117U	EMT2121U	NEU2140U	NEU2140U	NEU2140U
8	STARTING RELAY			NEU2140URE	NEU2140URE	NEU2140URE
9	START CAPACITOR			NEU2140USK	NEU2140USK	NEU2140USK

ITEM NO.	DESCRIPTION	CUBE 22	CUBE 35	CUBE 45	CUBE 53	CUBE 61
		CODE	CODE	CODE	CODE	CODE
<b>OTHER</b>						
10	STOPPER FOR OUTSIDE DRAIN	E1HU	E1HU	E1HU	E1HU	E1HU
11	DIGITAL THERMOMETER	FTERMOMETB2	FTERMOMETB2	FTERMOMETB2	FTERMOMETB2	FTERMOMETB2
12	THERMOSTAT PANEL	E35H	E35H	E35H	E35H	E35H
13	THERMOSTAT R600A	TERMOSTAT13	TERMOSTAT13	TERMOSTAT13	TERMOSTAT13	TERMOSTAT13
13	THERMOSTAT R290	TERMOSTAT11	TERMOSTAT11	TERMOSTAT11	TERMOSTAT11	TERMOSTAT11
14	GRILL FOR ENGINE COMPARTMENT	SP1417	SP1417	SP1417	SP1417	SP1417
15	CASTORS 4 PCS KIT	8100.0200	8100.0200	8100.0200	8100.0200	8100.0200
15	CASTORS 2 PCS WITH/2 PCS W/O BRAKE	8100.0202	8100.0202	8100.0202	8100.0202	8100.0202
16	PILE WEATER STRIP	GLASTAETNING1	GLASTAETNING1	GLASTAETNING1	GLASTAETNING1	GLASTAETNING1
20	Fan230V	BLAES230 HBT	BLAES230 HBT	BLAES230 HBT	BLAES230 HBT	BLAES230 HBT
20	Fan115V	BLAES115 HBT	BLAES115 HBT	BLAES115 HBT	BLAES115 HBT	BLAES115 HBT
17	FILTER DRYER	FILTER6XH9	FILTER6XH9	FILTER6XH9	FILTER6XH9	FILTER6XH9
18	VENTILATION GRILL	PLASTMFP13,14,15	PLASTMFP13,14,15	PLASTMFP13,14,15	PLASTMFP13,14,15	PLASTMFP13,14,15

115 volt 60 Hz

ULSPEC.

ITEM NO.	DESCRIPTION	CUBE 22		CUBE 35		CUBE 45		CUBE 53		CUBE 61	
		CODE		CODE		CODE		CODE		CODE	
19	Electronic thermostat 115V Incl. sensor	DIXELL 30CH1		DIXELL 30CH1		DIXELL 30CH1		DIXELL 30CH1		DIXELL 30CH1	
13	Mechanical thermostat R290	TERMOSTAT11		TERMOSTAT11		TERMOSTAT11		TERMOSTAT11		TERMOSTAT11	
20	Fan115V	BLAES115 HBT		BLAES115 HBT		BLAES115 HBT		BLAES115 HBT		BLAES115 HBT	
7	Compressor 120V 60HZ, R290	EMI70UER		EMI90UEX		NEU2140U1		NEU2140U1		NEU2140U1	
	Multiplug with cable	TSKU0102		TSKU0102		TSKU0102		TSKU0102		TSKU0102	
8	Starting relay					NEU2140U1RE		NEU2140U1RE		NEU2140U1RE	
9	Starting capacitor					NEU2140U1SK		NEU2140U1SK		NEU2140U1SK	
	Motor protector/ KLIXON					NEU2140U1KL		NEU2140U1KL		NEU2140U1KL	

NordCap GmbH & Co. KG  
Thalenhorststraße 15  
28307 Bremen  
Hauptsitz (Service, Finanzen & Personal, Lager, IT, Marketing)

Telefon: +49 421 48557-0  
Telefax: +49 421 488650  
E-Mail: [bremen@nordcap.de](mailto:bremen@nordcap.de)

Die NordCap Verkaufsniederlassungen in Deutschland:

Nord: Hamburg • Ost: Berlin • Süd: Ingelheim • West: Erkrath

