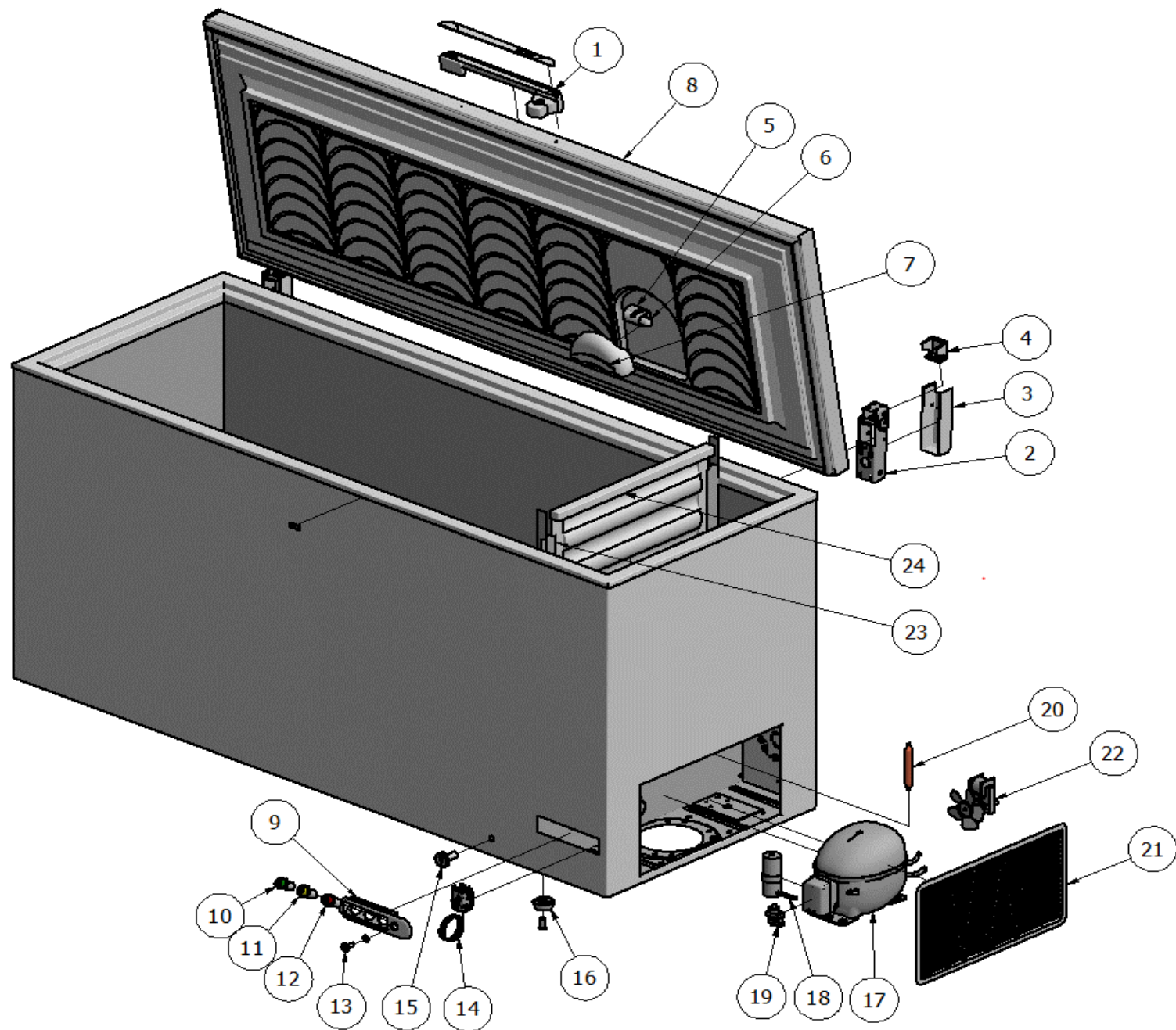


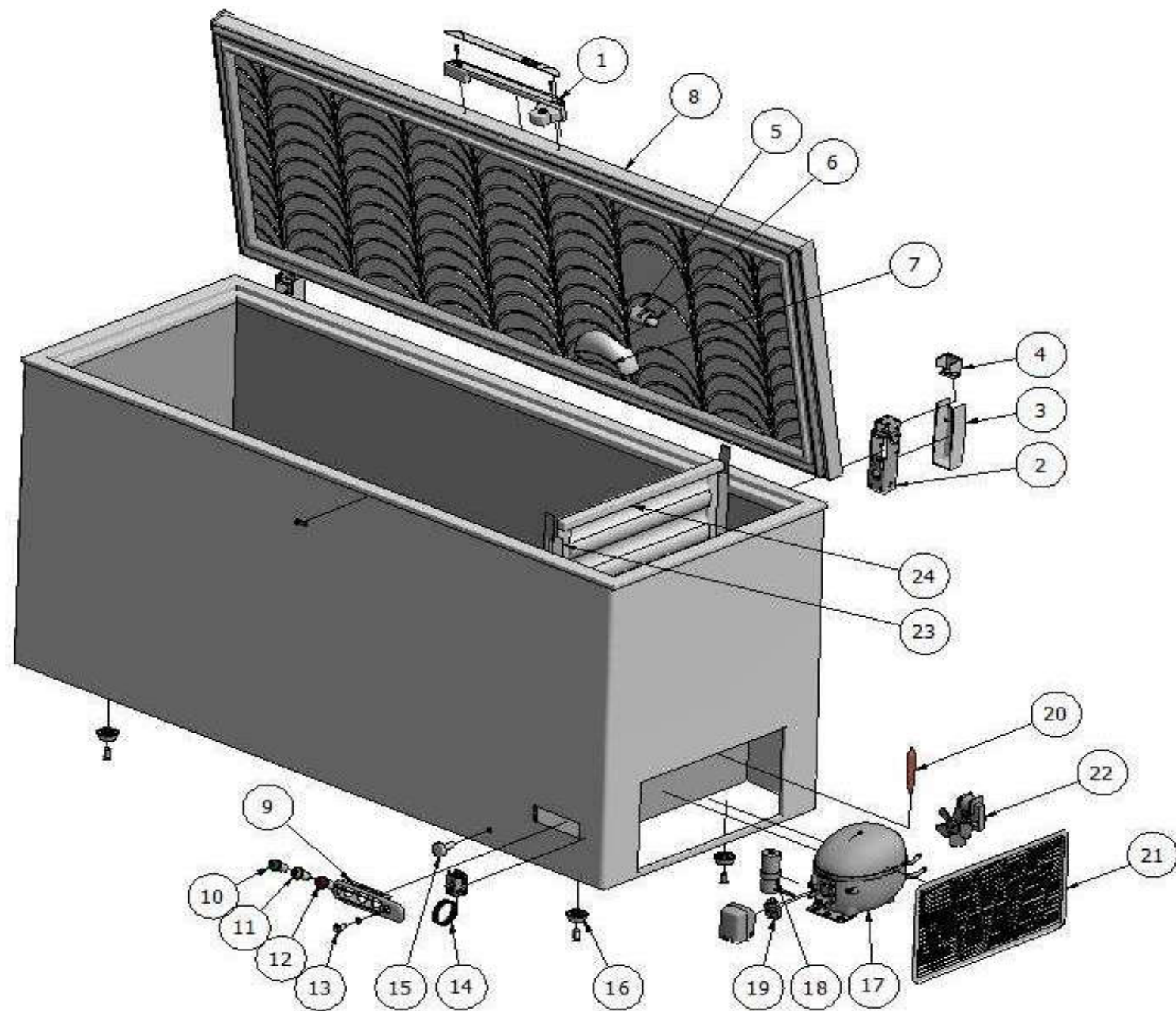
Ersatzteilliste-Explosionszeichnung

Tiefkühltruhe Serie **EL CNS**





EL 71 NC



ITEM NO.	DESCRIPTION	EL 22		EL 35		EL 45		EL 53		EL 61		EL 71	
		CODE		CODE		CODE		CODE		CODE		CODE	

SOLID LIFTING LID

1	HANDLE EL W/LOCK	EPCH		EPCH		EPCH		EPCH		EPCH		EPCH	
2	HINGE 0.0	---		---		HÆNG00		---		HÆNG00		HÆNG00	
2	HINGE 4.2	2 x HAENG42		---		---		---		---		---	
2	HINGE 4.6	---		2 x HAENG46		2 x HAENG46		---		---		---	
2	HINGE 4.9	---		---		---		2 x HAENG49		2 x HAENG49		2 x HAENG49	
3	HINGE COVER LARGE	HAENGKAPHV-L		HAENGKAPHV-L		HAENGKAPHV-L		HAENGKAPHV-L		HAENGKAPHV-L		HAENGKAPHV-L	
4	HINGE COVER SMALL	HAENGKAPHV-S		HAENGKAPHV-S		HAENGKAPHV-S		HAENGKAPHV-S		HAENGKAPHV-S		HAENGKAPHV-S	
	E 14 BULP	E14220		E14220		E14220		E14220		E14220		E14220	
5	LIGHT SOCKET	FATNING		FATNING		FATNING		FATNING		FATNING		FATNING	
7	COVER F/LID LIGHT	E15H		E15H		E15H		E15H		E15H		E15H	
8	LID COMPLETE	8010.0105		8010.0205		8010.0303		8010.0404		8010.0500		8010.0601	
8	Stainless steel LID	8012.0106		8012.0206		8012.0306		8012.0406		8012.0506			

MOTOR COMPARTMENT

17	COMPRESSOR R134A	NL8.4FT		NL8.4FT		NL8.4FT		NL10FT-50		NL10FT-50		NL10FT-50	
20	DRYING FILTER 6 MM	FILTER6XH9		FILTER6XH9		FILTER6XH9		FILTER6XH9		FILTER6XH9		FILTER6XH9	
19	PTC STARTRELAE	103N0016		103N0016		103N0016		103N0016		103N0016		103N0016	
17	COMPRESSOR 230V 50HZ R600A	EMY80CLP		EMY80CLP		EMY80CLP		NLE15KK.4		NLE15KK.4		NLE15KK.4	
19	STARTING RELAY	EMY80CLPRE		EMY80CLPRE		EMY80CLPRE							

CONTROL PANEL

9	ANGLED PANEL EL	E13H		E13H		E13H		E13H		E13H		E13H	
12	LAMP RED ROUND	LAMPROD		LAMPROD		LAMPROD		LAMPROD		LAMPROD		LAMPROD	
10	LAMP GREEN ROUND	LAMPGRO		LAMPGRO		LAMPGRO		LAMPGRO		LAMPGRO		LAMPGRO	
11	LAMP YELLOW ROUND	LAMPGUL		LAMPGUL		LAMPGUL		LAMPGUL		LAMPGUL		LAMPGUL	
13	THERMOSTATE BUTTON	77.316		77.316		77.316		77.316		77.316		77.316	
14	THERMOSTAT R134A/ R600A	TERMOSTAT15		TERMOSTAT15		TERMOSTAT15		TERMOSTAT15		TERMOSTAT15		TERMOSTAT15	
14	THERMOSTAT R404A / R290	TERMOSTAT11		TERMOSTAT11		TERMOSTAT11		TERMOSTAT11		TERMOSTAT11		TERMOSTAT11	

OTHER

21	GRILL F/ENGINE ROOM	SP1417		SP1417		SP1417		SP1417		SP1417		SP1417	
22	FAN FOR 220V	---		---		---		---		---		BLAESER230HBT	
22	FAN FOR 115V	BLAESER110-UL		BLAESER110-UL		BLAESER110-UL		BLAESER110-UL		BLAESER110-UL		BLAESER110-UL	
	HANDLE F/BASKET	E71H		E71H		E71H		E71H		E71H		---	
	BASKET EL	KURVC150		KURVC150		KURVC150		KURVC150		KURVC150		---	
	BASKET EL 71	---		---		---		---		---		KURVC200F	
15	STOPPER FOR OUTSIDE DRAIN	E1HU		E1HU		E1HU		E1HU		E1HU		E1HU	
24	PARTITION	SKILLERUM1		SKILLERUM1		SKILLERUM1		SKILLERUM1		SKILLERUM1		---	
23	MOULDING F/PARTITION	STYRLIST1+0		STYRLIST1+0		STYRLIST1+0		STYRLIST1+0		STYRLIST1+0		---	
16	FOOT COMPLETE	SP1412+SP1413		SP1412+SP1413		SP1412+SP1413		SP1412+SP1413		SP1412+SP1413		SP1412+SP1413	

NordCap GmbH & Co. KG
Thalenhorststraße 15
28307 Bremen
Hauptsitz (Service, Finanzen & Personal, Lager, IT, Marketing)

Telefon: +49 421 48557-0
Telefax: +49 421 488650
E-Mail: bremen@nordcap.de

Die NordCap Verkaufsniederlassungen in Deutschland:

Nord: Hamburg • Ost: Berlin • Süd: Ingelheim • West: Erkrath

