

# Ersatzteilliste-Explosionszeichnung

## Induktionswok IWOKEC-1P / 1ZT

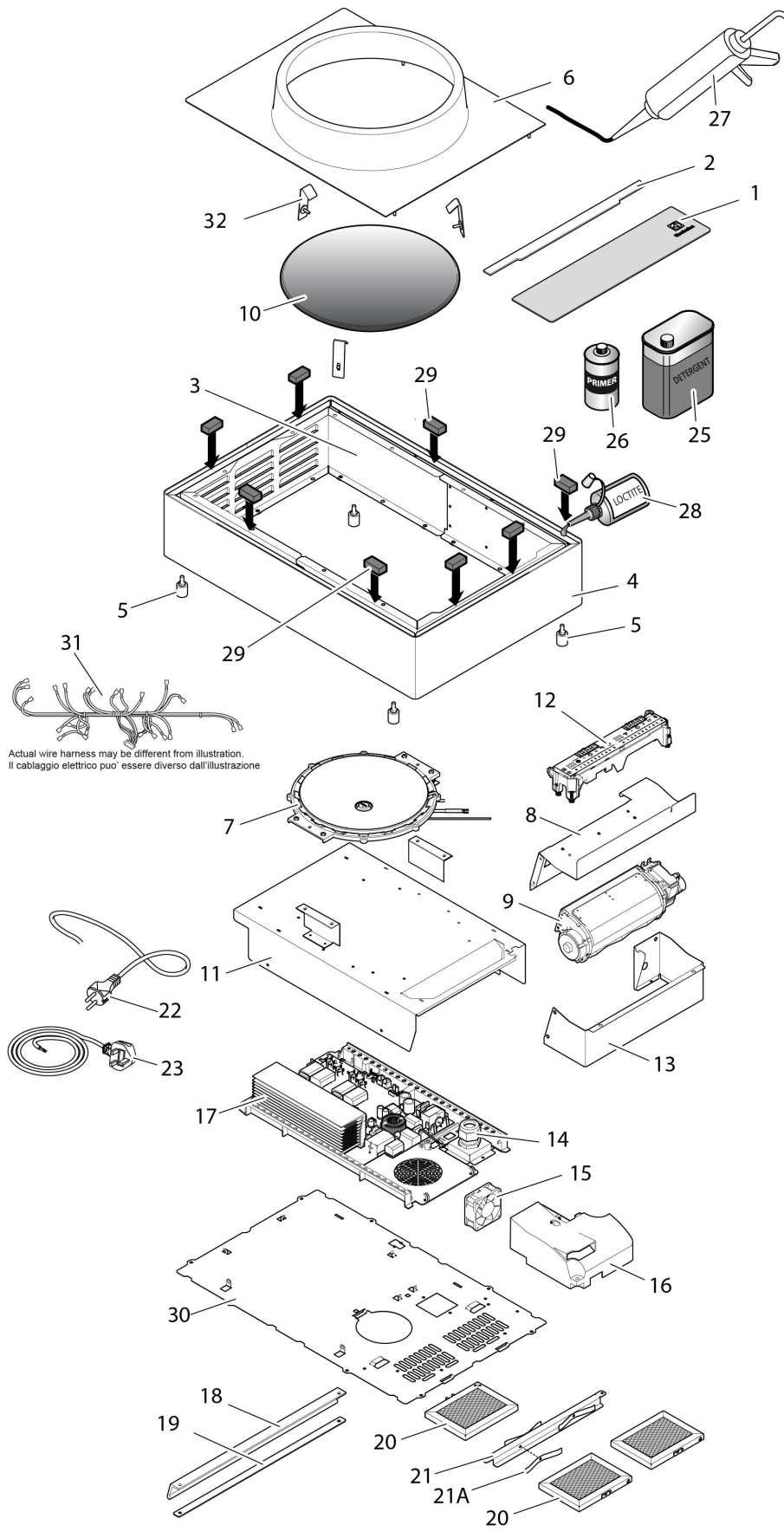
[Art. 406600893]



## WOK INDUCTION LIBERO LINE, SINGLE ZONE

| PNC    | MODEL     | Ref | BRAND   | VERSION     | NOTES                     |
|--------|-----------|-----|---------|-------------|---------------------------|
| 600880 | 1PH - WOK | A   | ELUX    | DROP IN     | 220-240V 1N 50/60HZ 3500W |
| 600881 | 1PH - WOK | B   | ELUX    | STAND ALONE | 220-240V 1N 50/60HZ 3500W |
| 600884 | 3PH - WOK | C   | ELUX    | DROP IN     | 380-415V 3~ 50/60HZ 5000W |
| 600885 | 3PH - WOK | D   | ELUX    | STAND ALONE | 380-415V 3~ 50/60HZ 5000W |
| 600892 | 1PH - WOK | E   | ZAN     | DROP IN     | 220-240V 1N 50/60HZ 3500W |
| 600893 | 1PH - WOK | F   | ZAN     | STAND ALONE | 220-240V 1N 50/60HZ 3500W |
| 600896 | 3PH - WOK | G   | ZAN     | DROP IN     | 380-415V 3~ 50/60HZ 5000W |
| 600897 | 3PH - WOK | H   | ZAN     | STAND ALONE | 380-415V 3~ 50/60HZ 5000W |
| 600904 | 1PH - WOK | I   | ELUX UK | DROP IN     | 220-240V 1N 50/60HZ 3500W |
| 600905 | 1PH - WOK | J   | ELUX UK | STAND ALONE | 220-240V 1N 50/60HZ 3500W |
|        |           |     |         |             |                           |
|        |           |     |         |             |                           |
|        |           |     |         |             |                           |
|        |           |     |         |             |                           |
|        |           |     |         |             |                           |
|        |           |     |         |             |                           |
|        |           |     |         |             |                           |

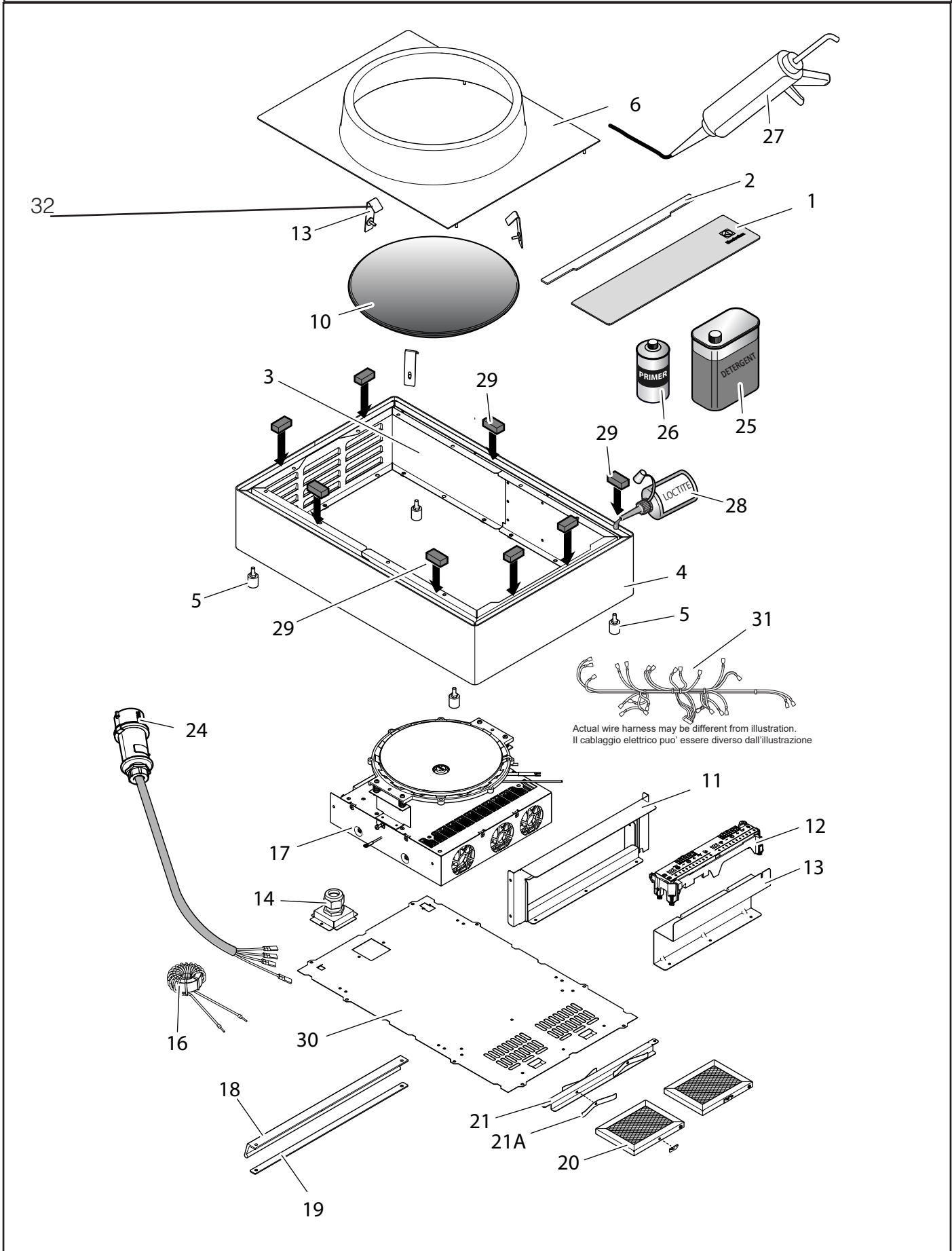
**INDUZIONE LIBERO LINE WOK 220-240V 1N 50/60Hz 3000W / 3500W**  
**INDUCTION LIBERO LINE WOK 220-240V 1N 50/60Hz 3000W / 3500W**



**INDUZIONE LIBERO LINE WOK 220-240V 1N 50/60Hz 3000W / 3500W**  
**INDUCTION LIBERO LINE WOK 220-240V 1N 50/60Hz 3000W / 3500W**

| Pos | Factory code | Spare Code | Descrizione                      | Description                   | Ref. / Note     |
|-----|--------------|------------|----------------------------------|-------------------------------|-----------------|
| 1   |              |            | VITRE                            | GLASS                         | ELUX            |
|     |              |            | VITRE                            | GLASS                         | ZAN             |
| 2   |              |            | SEPARATEUR VITRE                 | TOP SPACER                    |                 |
| 3   |              |            | SUPPORT INTERNE                  | INNER STRUCTURE               | A,C,E,I,G       |
| 4   |              |            | CAISSON                          | OUTSIDE COVER                 | B,D,F ETC       |
| 5   |              | 0D8162     | PIED                             | FOOT                          | STAND ALONE     |
| 6   |              |            | SUPPORT WOK                      | TOP FRAME                     |                 |
| 7   |              | 0D8165     | INDUCTEUR WOK                    | COIL                          | 220V            |
| 8   |              |            | SUPPORT                          | MOTORVENTILATOR CONVEYOR      |                 |
| 9   |              | 0D8131     | VENTILATEUR TANGENTIEL           | MOTORVENTILATOR               |                 |
| 10  |              |            | VITRE WOK                        | CUVEE GLASS                   |                 |
| 11  |              |            | SUPPORT INDUCTEUR                | INVERTER COVER                |                 |
| 12  |              | 0D8192     | CARTE COMMANDE                   | USER BOARD                    | 3000W - I,J     |
|     |              | 0D8190     | CARTE COMMANDE                   | USER BOARD                    | 3500W - A,B,E,F |
| 13  |              |            | CANAL VENTILATEUR                | MOTOR VENTILATOR CONVEYOR     |                 |
| 14  |              |            | PRESSE ETOUPE                    | CABLE GLAND STOPPER           |                 |
| 15  |              |            | MOTOVENT RAFFREDDAMENTO INVERTER | MOT.VENT. COOL INVERTER       |                 |
| 16  |              |            | CONVOGLIATORE MOT.VENT.          | MOTORVENTILATOR CONVEYOR      |                 |
| 17  |              | 0D8132     | GENERATEUR                       | INVERTER                      | 220V            |
| 18  |              |            | GOMMA SETTO AERAZIONE            | RUBBER VENTILATION SEPARATOR  | STAND ALONE     |
| 19  |              |            | STAFFA FERMO SETTO               | BRACKET VENTILATION SEPARATOR | STAND ALONE     |
| 20  |              | 0D8130     | FILTRE                           | DUST FILTER                   |                 |
| 21  |              |            | SUPPORT FILTRE                   | FILTER LOCK SUPPORT           |                 |
| 21A |              | 0D8129     | RESSORT SUPPORT FILTRE           | SPRING, FILTER HOLDER         |                 |
| 22  |              | 0D8182     | CORDON ALIM. SHUCO               | PLUG WITH CABLE               |                 |
| 23  |              | 0D8183     | CORDON ALIM. UK                  | UK PLUG WITH CABLE            |                 |
| 25  | *            | 088314     | DETERGENTE PER SILICONE          | DETERGENT FOR SILICONE GLUE   |                 |
| 26  | *            | 088313     | PRIMER                           | PRIMER                        |                 |
| 27  | *            | 0C0074     | SILICONE NERO PER VETRO          | BLACK SILICONE GLUE           |                 |
| 28  | *            | *          | LOCKTITE COLLA SPESSORI          | LOCKTITE FOR GLASS SPACERS    |                 |
| 29  |              |            | SPESSORI VETRO (KIT 8PZ)         | GLASS SPACERS (KIT PCS8       |                 |
| 30  |              |            | PLAQUE DE FOND                   | LOWER PANEL                   |                 |
| 31  |              | 0D8159     | CABLE VENTILATEUR                | ELECTRICAL WIRING VENTILATOR  | A,B,E,F,I,J     |
|     |              | 0D8160     | CABLE COMMUNICATION              | ELECTRIC WIRING               |                 |
|     |              | 0D8161     | CABLE CARTE COMMANDE             | ELECTRICAL CONTROL BOARD      | A,B,E,F,I,J     |
| 32  |              |            | VERROU WOK                       | CUVEE LOCK                    |                 |
|     |              | 0D8146     | 1+2+3+6+10+13+29                 | 1+2+3+6+10+13+29              | ELUX - A,i      |
|     |              | 0D8148     | 1+2+3+6+10+13+29                 | 1+2+3+6+10+13+29              | ZAN - E         |
|     |              | 0D8150     | 1+2+3+4+5+6+10+13+29             | 1+2+3+4+5+6+10+13+29          | ELUX - B,J      |
|     |              | 0D8152     | 1+2+3+4+5+6+10+13+29             | 1+2+3+4+5+6+10+13+29          | ZAN - F         |

**INDUZIONE LIBERO LINE WOK 380-415V 3~ 50/60Hz 5000W**  
**INDUCTION LIBERO LINE WOK 380-415V 3~ 50/60Hz 5000W**



**INDUCTION LIBERO LINE WOK 380-415V 3~ 50/60Hz 5000W**  
**INDUCTION LIBERO LINE WOK 380-415V 3~ 50/60Hz 5000W**

| Pos | Factory code | Spare Code | Descrizione              | Description                   | Ref. / Note     |
|-----|--------------|------------|--------------------------|-------------------------------|-----------------|
| 1   |              |            | VITRE                    | GLASS                         | ELUX            |
|     |              |            | VITRE                    | GLASS                         | ZAN             |
| 2   |              |            | SEPARATEUR VITRE         | TOP SPACER                    |                 |
| 3   |              |            | SUPPORT INTERNE          | INNER STRUCTURE               | A,C,E,I,G       |
| 4   |              |            | CAISSON                  | OUTSIDE COVER                 | B,D,F,H,J       |
| 5   |              | 0D8162     | PIED                     | FOOT                          |                 |
| 10  |              |            | VITRE WOK                | CUVEE GLASS                   |                 |
| 11  |              |            | SEPARATEUR KIT           | VENTILATION AERATOR           |                 |
| 12  |              | 0D8194     | CARTE COMMANDE           | USER BOARD                    | 5000W - C,D,G,H |
| 13  |              |            | SUPPORT CARTE COMMANDE   | SUPPORT USER BOARD            |                 |
| 14  |              |            | PRESSE ETOUPE            | CABLE GLAND STOPPER           |                 |
| 16  |              |            | FILTRO TOROIDE           | ELECTRIC FILTER               |                 |
| 17  |              | 0D8170     | KIT FOUCAULT WOK         | INVERTER FOUCAULT WITH COIL   | 5000W           |
| 18  |              |            | GOMMA SETTO AERAZIONE    | RUBBER VENTILATION SEPARATOR  |                 |
| 19  |              |            | STAFFA FERMO SETTO       | BRACKET VENTILATION SEPARATOR |                 |
| 20  |              | 0D8130     | FILTRE                   | DUST FILTER                   |                 |
| 21  |              |            | SUPPORT FILTRE           | FILTER LOCK SUPPORT           |                 |
| 21A |              | 0D8129     | RESSORT SUPPORT FILTRE   | SPRING, FILTER HOLDER         |                 |
| 24  |              | 0D8184     | CORDON TRI. EQ.          | THREE-PHASE SOCKET & CABLE    |                 |
| 25  | 0151098052   | 088314     | DETERGENTE PER SILICONE  | DETERGENT FOR SILICONE GLUE   |                 |
| 26  | 0147098057   | 088313     | PRIMER                   | PRIMER                        |                 |
| 27  | 0147098058   | 0C0074     | SILICONE NERO PER VETRO  | BLACK SILICONE GLUE           |                 |
| 28  | *            | *          | LOCKTITE COLLA SPESSORI  | LOCKTITE FOR GLASS SPACERS    |                 |
| 29  |              |            | SPESSORI VETRO (KIT 8PZ) | GLASS SPACERS (KIT PCS8)      |                 |
| 30  |              |            | PLAQUE DE FOND           | LOWER PANEL                   |                 |
| 31  |              | 0D8160     | CABLE COMMUNICATION      | ELECTRICAL WIRING             |                 |
| 32  |              |            | VERROU WOK               | LOCK CUVEE                    |                 |
|     |              | 0D8147     | 1+2+3+6+10+13+29         | 1+2+3+6+10+13+29              | ELUX - C        |
|     |              | 0D8149     | 1+2+3+6+10+13+29         | 1+2+3+6+10+13+29              | ZAN - G         |
|     |              | 0D8151     | 1+2+3+4+6+10+13+29       | 1+2+3+4+6+10+13+29            | ELUX - D        |
|     |              | 0D8153     | 1+2+3+4+6+10+13+29       | 1+2+3+4+6+10+13+29            | ZAN - H         |
|     |              |            |                          |                               |                 |
|     |              |            |                          |                               |                 |
|     |              |            |                          |                               |                 |
|     |              |            |                          |                               |                 |
|     |              |            |                          |                               |                 |
|     |              |            |                          |                               |                 |
|     |              |            |                          |                               |                 |
|     |              |            |                          |                               |                 |
|     |              |            |                          |                               |                 |
|     |              |            |                          |                               |                 |
|     |              |            |                          |                               |                 |
|     |              |            |                          |                               |                 |
|     |              |            |                          |                               |                 |
|     |              |            |                          |                               |                 |
|     |              |            |                          |                               |                 |
|     |              |            |                          |                               |                 |
|     |              |            |                          |                               |                 |

NordCap GmbH & Co. KG  
Thalendorststraße 15  
28307 Bremen  
Hauptsitz (Service, Finanzen & Personal, Lager, IT, Marketing)

Telefon: +49 421 48557-0  
Telefax: +49 421 488650  
E-Mail: [bremen@nordcap.de](mailto:bremen@nordcap.de)

Die NordCap Verkaufsniederlassungen in Deutschland:

Nord: Hamburg • Ost: Berlin • Süd: Ingelheim • West: Erkrath

by **NordCap**<sup>®</sup>

**ZANUSSI**  
PROFESSIONAL