

Ersatzteilliste-Explosionszeichnung

Elektro-Grillplatte IGEC-1P / 1ZT

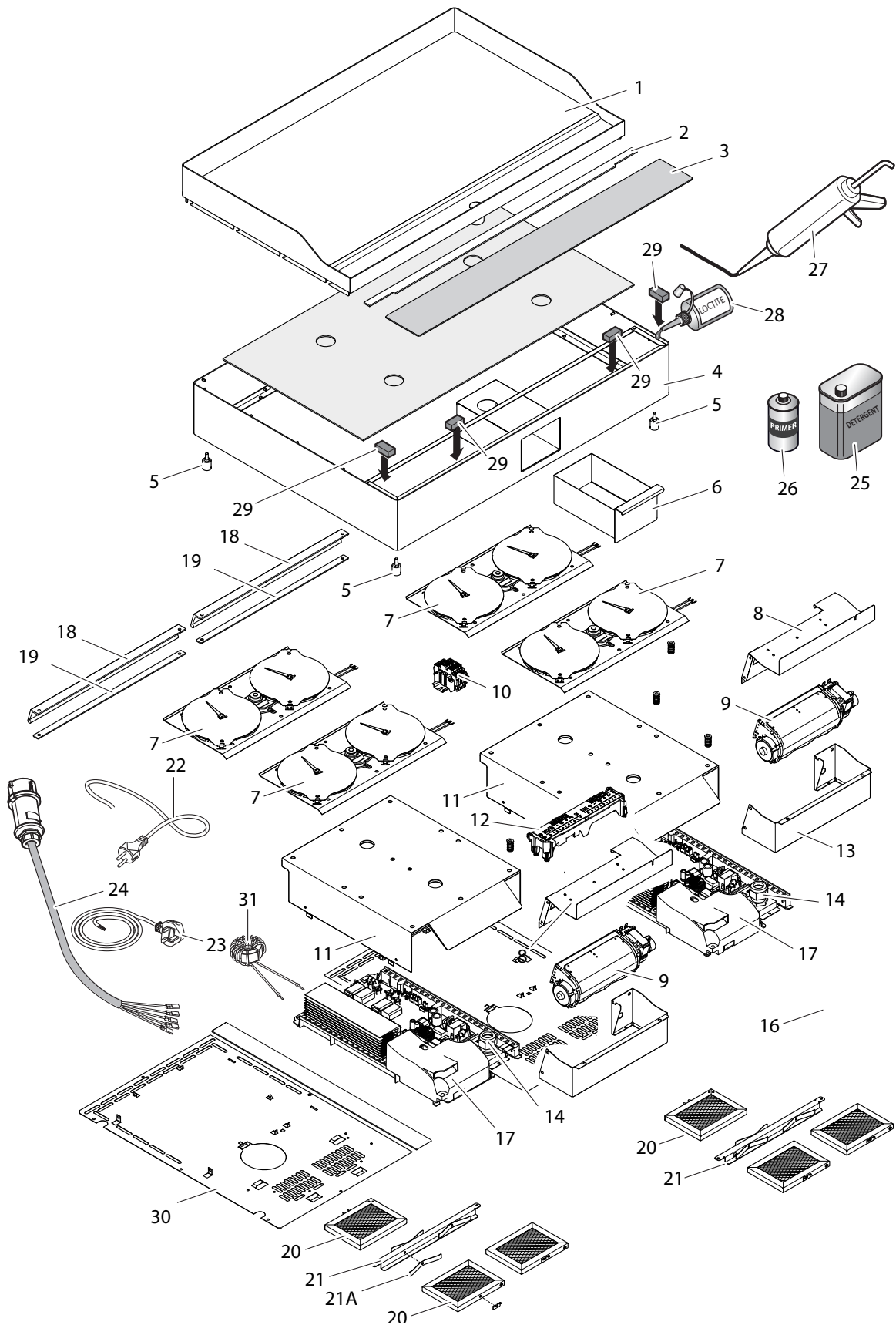
[Art. 406600898]



INDUCTION FRY TOP LIBERO LINE, SINGLE/DOUBLE ZONE

PNC	MODEL	Ref	BRAND	VERSION	NOTES
600887	FRYTOP - DZ	A	ELUX	STAND ALONE	380-415V 3N 50/60HZ 7000W
600899	FRYTOP - DZ	B	ZAN	STAND ALONE	380-415V 3N 50/60HZ 7000W
600886	FRYTOP - SZ	C	ELUX	STAND ALONE	220-240V 1P 50/60HZ 3500W
600898	FRYTOP - SZ	D	ZAN	STAND ALONE	220-240V 1P 50/60HZ 3500W
600906	FRYTOP - SZ	E	ELUX UK	STAND ALONE	220-240V 1P 50/60HZ 3000W

INDUCTION FRYTOP LIBERO LINE SINGLE/DOUBLE ZONE



INDUCTION FRYTOP LIBERO LINE SINGLE/DOUBLE ZONE

Pos	Factory code	Spare Code	Descrizione	Description	Ref. / Note
1			PLAQUE CUISSON FRY TOP	COOKING TOP	Single zone, C,D,E
			PLAQUE CUISSON FRY TOP	COOKING TOP	Double zone,A,B,
2			SEPARATEUR VITRE TOP	TOP SPACER	Single zone, C,D,E
			SEPARATEUR VITRE TOP	TOP SPACER	Double zone,A,B,
3			VITRE	GLASS	ELUX
			VITRE	GLASS	ZAN
			VITRE	GLASS	OEM
4			CAISSON	SIDE COVER	Single zone, C,D,E
			CAISSON	SIDE COVER	Double zone,A,B,
5		0D8162	PIED	FOOT	
6		0D8173	TIROIR SZ	DISCHARGE	Single zone, C,D,E
		0D8181	TIRIOR DZ	DISCHARGE	Double zone,A,B,
7		0D8171	INDUCTEUR	COIL ASSEMBLY ¼	
8			CONVOGLIATORE MOT.VENT.	MOTORVENTILATOR CONVEYOR	
9		0D8131	VENTILATEUR TANGENTIEL	MOTORVENTILATOR	
10			MORSETTIERA 10MMQ	MAIN TERMINAL BLOCK 10MMQ	Double zone,A,B (only on DZ)
11			SEPARATEUR SUPPORT INDUCTEUR	INVERTER COVER	
12		0D8195	CARTE COMMANDE	USER BOARD	Single zone, C,D
		0D8196	CARTE COMMANDE	USER BOARD	Single zone UK,E
		0D8197	CARTE COMMANDE	USER BOARD	Double zone,A,B,
13			CANAL VENTILATEUR	MOTORVENTILATOR CONVEYOR	
14			PRESSE ETOUPE	CABLE GLAND STOPPER	
15			MOTOVENT RAFFREDDAMENTO INVERTER	MOT.VENT. COOL INVERTER	
16			CONVOGLIATORE MOT.VENT.	MOTORVENTILATOR CONVEYOR	
17		0D8132	GENERATEUR	INVERTER	
18			GOMMA SETTO AERAZIONE	RUBBER VENTILATION SEPARATOR	
19			STAFFA FERMO SETTO	BRACKET VENTILATION SEPARATOR	
20		0D8130	FILTRE	DUST FILTER	
21			SUPPORT FILTRE	FILTER LOCK SUPPORT	
21A		0D8129	RESSORT SUPPORT FILTRE	SPRING FILTER SUPPORT	A,B
22		0D8182	CORDON ALIM. EQ.SHUCO	PLUG WITH CABLE	C,D
23		0D8183	CORDON ALIM. EQ. UK	UK PLUG WITH CABLE	E
24		0D8184	CORDON ALIM. TRI.EQ.	THREE-PHASE SOCKET & CABLE	
25	0151098052	088314	DETERGENTE PER SILICONE	DETERGENT FOR SILICONE GLUE	
26	0147098057	088313	PRIMER	PRIMER	
27	0147098058	0C0074	SILICONE NERO PER VETRO	BLACK SILICONE GLUE	
28	*	*	LOCKTITE COLLA SPESSORI	LOCKTITE FOR GLASS SPACERS	
29			SPESSORI VETRO (KIT 8PZ)	GLASS SPACERS (KIT PCS8	
30			PLAQUE DE FOND	LOWER PANEL	
31			FILTRO TOROIDE	ELECTRIC FILTER	Double zone,A,B
		0D8156	VITRE PLAQUE CAISSON 1+2+3+4+29		A
		0D8157	VITRE PLAQUE CAISSON 1+2+3+4+29		B
		0D8154	VITRE PLAQUE CAISSON 1+2+3+4+29		C,E
		0D8155	VITRE PLAQUE CAISSON 1+2+3+4+29		D

NordCap GmbH & Co. KG
Thalendorststraße 15
28307 Bremen
Hauptsitz (Service, Finanzen & Personal, Lager, IT, Marketing)

Telefon: +49 421 48557-0
Telefax: +49 421 488650
E-Mail: bremen@nordcap.de

Die NordCap Verkaufsniederlassungen in Deutschland:

Nord: Hamburg • Ost: Berlin • Süd: Ingelheim • West: Erkrath

by **NordCap**[®]

ZANUSSI
PROFESSIONAL