

# Ersatzteilliste-Explosionszeichnung

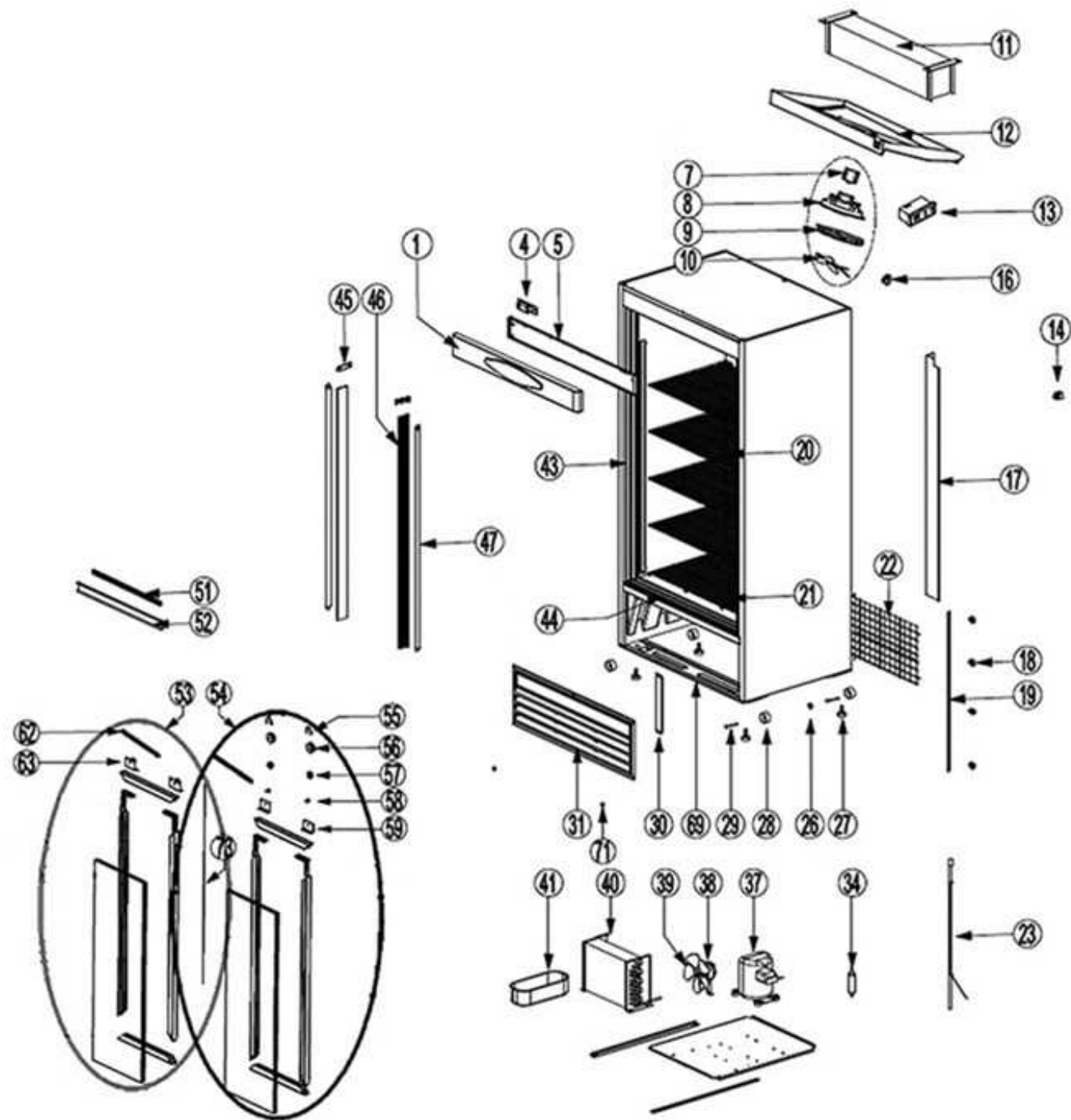
## Gewerbekühlschrank KU 1200 G-SD

[Art. 435700219]

**NordCap®**

PROFESSIONELL KÜHLEN





POS.	REF.NO.	ITEM	Unit
00001	2114620127	TOP PANEL	STK
00004	1915200206	LED POWER SUPPLY	STK
00005	2116000073	CONTROL PANEL SHEET	STK
00007	2018400127	FAN MOTOR	STK
00008	2122601045	EVAPORATOR FAN FRAME	STK
00009	2122601046	FINGER GUARD	STK
00010	4802500013	FAN BLADE 200 MM	STK
00011	1712700042	EVAPORATOR	STK
00012	2112700077	EVAPORATOR COVER	STK
00013	7110000389	THERMOSTAT XR06CX 20A RELAY	STK
00014	7110000397	PROBE NTC DIXELL/CAREL 10 Kohm	STK
00016	2113916040	LIGHT SWITCH	STK
00017	2112700078	INTERNAL TUBE COVER	STK
00018	1715200060	CLIP FOR SHELF	STK
00019	2122601032	RAIL FOR SHELVES	STK
00020	2115200249	WIRE SHELF FOR P. STRONG	STK
00021	2115200262	BOTTOM WIRE SHELF	STK
00022	2115200242	REAR GRILL	STK
00023	2112700079	HEAT EXCHANGER	STK
00026	2112700080	NUT FOR ROLLER	STK
00027	1014610190	ADJUSTABLE SCREW FOOT	STK
00028	2112700081	ROLLER	STK
00029	2112700082	BOLT FOR ROLLER	STK
00030	2112700083	MIDDLE SUPPORT	STK
00031	1214700003	BOTTOM PANEL HEXAGONAL	STK
00034	2018400130	FILTER DRIER 20 G	STK
00037	2018400080	COMPRESSOR NEU6214U R290	STK
00038	1713700071	FAN MOTOR DIV. USE/CONDENSER	STK
00039	1713700207	FAN BLADE 25 CM (CONDENSER)	STK
00040	1712800063	CONDENSER	STK
00041	3914620002	DRIP TRAY	STK
00043	2112700004	FRAME PROFILE SIDE 2013	STK
00044	2112700085	FRAME PROFILE BOTTOM	STK
00045	3610700200	CLIP FOR LIGHT COVER	STK
00046	1711210070	COVER FOR VERTICAL.FL.TUBE	STK
00047	1014680010	LED STRIP 1200 MM	STK
00051	2112700023	COVER FOR DOOR RAMPS	STK
00052	2116000071	DOOR RAMP	STK
00053	2110708489	DOOR LEFT	STK
00054	2110708488	DOOR RIGHT	STK
00055	2116000075	CIRCLIP FOR ROLLERS	STK
00056	2116000069	DOOR ROLLER	STK
00057	2116000074	BEARING FOR SLIDING DOORS	STK
00058	2116000077	SHAFT FOR ROLLER	STK
00059	2116000078	DOOR BRACKET FOR ROLLERS RIGHT	STK
00062	2114300064	DOOR SPRING	STK
00063	2112700012	DOOR BRACKET FOR ROLLERS LEFT	STK
00071	1014618055	SCREW COVER FRONT GRILL	STK
00073	2112700086	DOOR SEALING	STK