

Drawing



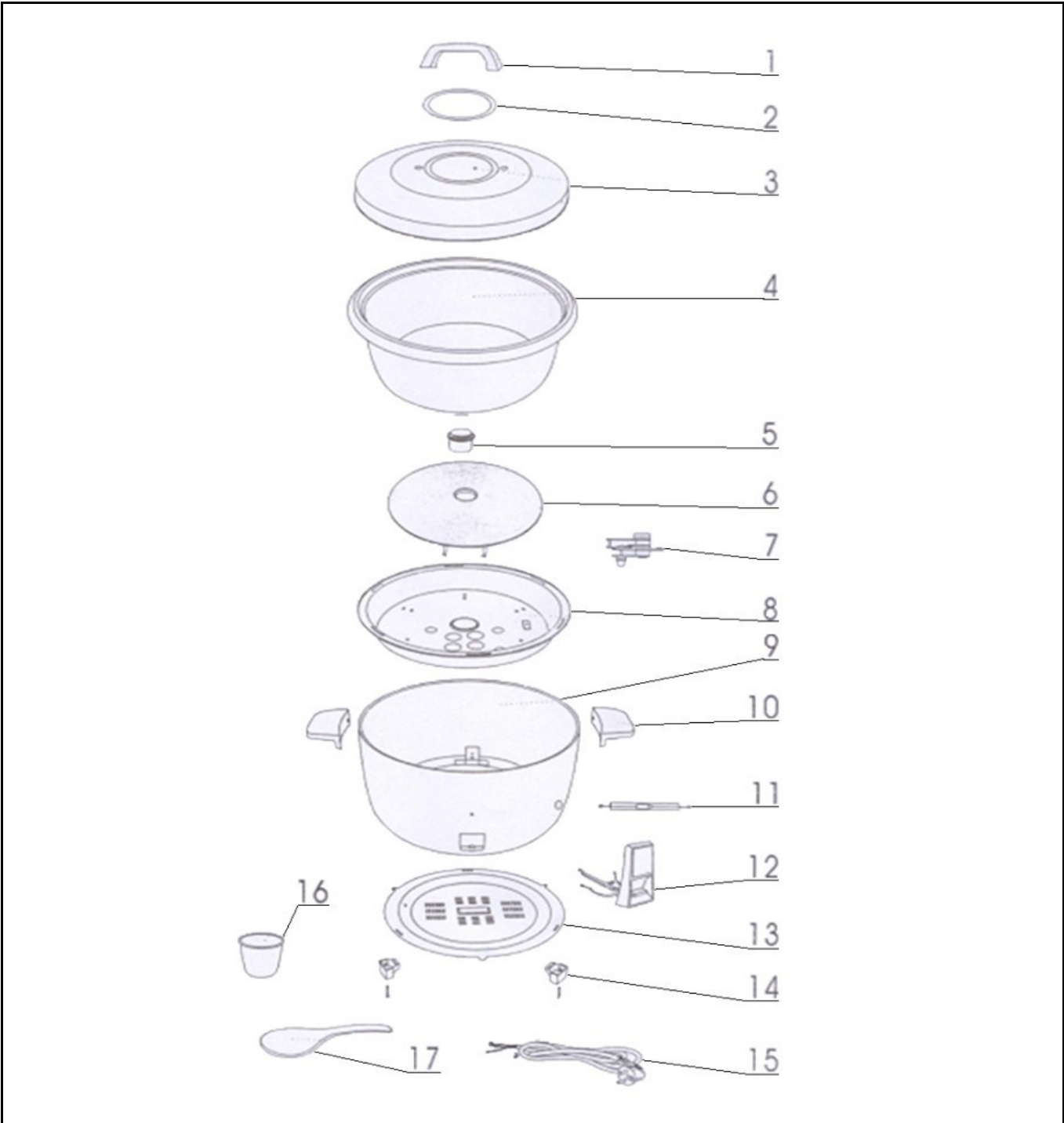
Tools for Chefs

Hendi B.V.
 Steenoven 21
 3911 TX Rhenen
 The Netherlands


Batch #	Appliance part#
000000 and up	240458

Description
Rice steamer 10L

Date	15-06-2021	Revision #	1.0
Revision	First Bill of Materials (BOM)		



Bill of materials (BOM)

 <b style="font-size: 24px; margin-left: 10px;">HENDI <small style="color: green; margin-left: 10px;">Tools for Chefs</small> Hendi B.V. Steenoven 21 3911 TX Rhenen The Netherlands	Batch #	Appliance part#
	000000 and up	240458
	Description	
	Rice steamer 10L	


Date	15-06-2021	Revision #	1.0
Revision	First Bill of Materials (BOM)		

Item	Description	Part#	Quantity	Remark	Picture
1	Handle lid	959978	1		
2	Lid cover	n/a	1		
3	Lid	n/a	1	Incl item 1 and 2	
4	Aluminum pot	960134	1		
5	Thermo switch (magnetic)	960141	1		
6	Heating element	960158	1		
7	Thermostat	960165	1		
8	Mounting bracket	n/a	1		
9	Housing	n/a	1		
10	Handle	959985	2	Set of 2 pcs	
11	Thermal fuse	960042	1		
12	Switch (complete set)	960172	1		
13	Housing cover	n/a	1		
14	Feet	960189	3	Set of 3 pcs	
15	Power cord	n/a	1		
16	Measuring cup	959992	1		
17	Spoon	n/a	1		

n/a -> not available

nss -> not sold separately

Circuit diagram

 HENDI Tools for Chefs Hendi B.V. Steenoven 21 3911 TX Rhenen The Netherlands	Batch #	Appliance part#
	000000 and up	240458
	Description	
	Rice steamer 10L	

Date	15-06-2021	Revision #	1.0
Revision	First Bill of Materials (BOM)		

