

Low temperature oven

225479



You should read this user manual carefully before using the appliance.

Bevor Sie das Gerät in Betrieb nehmen, sollten Sie diese Gebrauchsanweisung aufmerksam lesen.

Alvorens de apparatuur in gebruik te nemen dient u deze gebruiksaanwijzing aandachtig te lezen.

Przed uruchomieniem urządzenia należy koniecznie dokładnie przeczytać niniejszą instrukcję obsługi.

Lisez attentivement ce mode d'emploi avant d'utiliser l'appareil .

Prima di utilizzare l'apparecchio in funzione leggere attentamente le istruzioni per l'uso.

Citiți cu atenție prezentul manual de utilizare înainte de folosirea aparatului.

Внимательно прочитайте руководство пользователя перед использованием прибора.

Πρέπει να διαβάσετε αυτές τις οδηγίες χρήσης προσεκτικά πριν χρησιμοποιήσετε τη συσκευή.



Keep these instructions with the appliance.
Diese Gebrauchsanweisung bitte beim Gerät aufbewahren.
Bewaar deze handleiding bij het apparaat.
Zachowaj instrukcję urządzenia
Gardez ces instructions avec cet appareil.
Conservate le istruzioni insieme all'apparecchio.
Păstrați manualul de utilizare alături de aparat.
Хранить руководство вместе с устройством.
Φυλάξτε αυτές τις οδηγίες μαζί με τη συσκευή.




For indoor use only.
Nur zur Verwendung im Innenbereich.
Alleen voor gebruik binnenshuis.
Do użytku wewnątrz pomieszczeń.
Pour l'usage à l'intérieur seulement.
Destinato solo all'uso domestico.
Doar pentru uz la interior.
Использовать только в помещениях.
Για χρήση μόνο σε εσωτερικό χώρο.



Dear Customer,

Thank you for purchasing this HENDI appliance. Before using the appliance for the first time, please read this manual carefully, paying particular attention to the safety regulations outlined below.

Safety regulations



- This appliance is intended for commercial use.
- The appliance must only be used for the purpose for which it was intended and designed. The manufacturer is not liable for any damage caused by incorrect operation and improper use.
- Keep the appliance and electrical plug away from water and any other liquids. In the event that the appliance should fall into water, immediately remove plug from the socket and do not use until the appliance has been checked by a certified technician. Failure to follow these instructions could cause a risk to lives.
- Never attempt to open the casing of the appliance yourself.
- Do not insert any objects in the casing of the appliance.
- Do not touch the plug with wet or damp hands.
-  **Danger of electric shock!** Do not attempt to repair the appliance yourself. In case of malfunctions, repairs are to be conducted by qualified personnel only.
- **Never use a damaged appliance!** Disconnect the appliance from the electrical outlet and contact the retailer if it is damaged.
- **Warning!** Do not immerse the electrical parts of the appliance in water or other liquids. Never hold the appliance under running water.
- Regularly check the power plug and cord for any damage. If the power plug or power cord is damaged, it must be replaced by a service agent or similarly qualified persons in order to avoid danger or injury.
- Make sure the cord does not come in contact with sharp or hot objects and keep it away from open fire. To pull the plug out of the socket, always pull on the plug and not on the cord.
- Ensure that the cord (or extension cord) is positioned so that it will not cause a trip hazard.
- Always keep an eye on the appliance when in use.
- **Warning!** As long as the plug is in the socket the appliance is connected to the power source.
- Turn off the appliance before pulling the plug out of the socket.
- Never carry the appliance by the cord.
- Do not use any extra devices that are not supplied along with the appliance.
- Only connect the appliance to an electrical outlet with the voltage and frequency mentioned on the appliance label.
- Connect the power plug to an easily accessible electrical outlet so that in case of emergency the appliance can be unplugged immediately. To completely switch off the appliance pull the power plug out of the electrical outlet.
- Always turn the appliance off before disconnecting the plug.

EN



- Never use accessories other than those recommended by the manufacturer. Failure to do so could pose a safety risk to the user and could damage the appliance. Only use original parts and accessories.
- This appliance is not intended for use by persons (including children) with reduced physical, sensory or mental capabilities, or lack of experience and knowledge.
- This appliance must not be used by children under any circumstances.
- Keep the appliance and its cord out of reach of children.
- Always disconnect the appliance from the mains if it is left unattended or is not in use, and before assembly, disassembly or cleaning.
- Never leave the appliance unattended during use.

Special Safety Regulations

- Use the appliance only as described in this manual. Indoor use only.
- This appliance should be operated and installed by trained personnel in kitchen of the restaurant, canteens or bar staff, etc.
-  **Caution! Hot surface!** The temperature of the outer surfaces are high during use. Touch the control panel only.
-  An equipotential bonding terminal is provided at the rear side of the appliance to allow cross bonding with other equipment.
- Keep the appliance away from any hot surfaces and open flames. Always operate the appliance on a level, stable, clean, heat-resistant and dry surface.
- Do not use the appliance near explosive or flammable materials, credit cards, magnetic discs or radios.
- This appliance is not intended to be operated by means of an external timer or separate remote-control system.
- **WARNING:** Keep all ventilation openings in the appliance clear of obstruction.
- Allow at least 15 cm spacing around the appliance for ventilation purpose during use.
- Do not wash the appliance with water or a waterjet. Washing with water can cause leak-ages and increase the risk of electric shock.
- Do not clean or store the appliance unless it is completely cooled down.
- Special care should be taken when moving or transporting the appliance as it is too heavy. With at least 2 people or using a trolley for assistance. Move the machine slowly, carefully and never be inclined over 45°C.
- Do not move the appliance while it is under operation.

Intended use

- This appliance is intended for professional use.
- This appliance is designed only for slowly preparing or regenerating food, by means of a controlled process. Any other use may lead to damage of the appliance or personal injury.
- Operating the appliance for any other purpose shall be deemed a misuse of the device. The user shall be solely liable for improper use of the device.

Grounding Installation

This appliance is classified as protective class I and must be connected to a protective ground. Grounding reduces the risk of electric shock by providing an escape wire for the electric current.

This appliance is equipped with a cord having a grounding wire with a grounding plug. The plug must be plugged into an electrical outlet that is properly installed and grounded.

Preparations before using for the first time

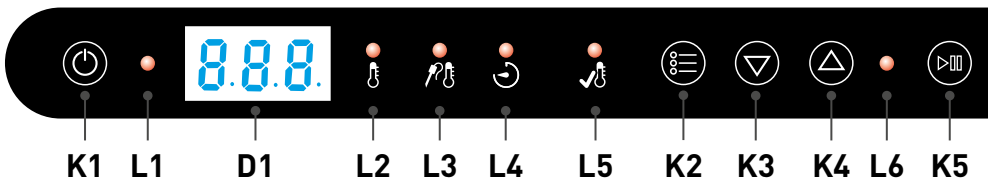
- Check to make sure the appliance is undamaged. In case of any damage, contact your supplier immediately and do NOT use the appliance.
- Remove all the packing material and protection film (if applicable).
- Clean the appliance with luke-warm water and a soft cloth.
- Place the appliance on a level and steady surface, unless mentioned otherwise.
- Make sure there is enough clearance around the appliance for ventilation purposes.

- Position the appliance in such a way that the plug is accessible at all times.
- Heat the appliance without food for about an hour at the highest chamber temperature.

Note: Due to the manufacturing residues, the appliance may emit a slight odor. This is normal and does not indicate any defect or hazard. Make sure the appliance is well ventilated.

⇒ Follow always the HACCP regulations.

Control Panel



EN

	Green ON/OFF switch at the rear
K1	Standby button
K2	Function selection button
K3	Decrease setting (Temp / Time)
K4	Increase setting (Temp / Time)
K5	Start / Pause Button
D1	Digital Display
L1	Power Indicator light
L2	Chamber temperature Indicator light
L3	Internal food temperature Indicator light (Make use of the supplied core probe)
L4	Timer Indicator light
L5	Hold temperature Indicator light
L6	Operation Indicator light



Start

Connect the plug to a suitable electrical power outlet and press the green ON/OFF switch at the rear side to the "I" position. Press the standby button [K1].

- The oven will beep one time and then all indicator lights, L1 to L5, and display D1 will be ON for 0.5 second. After that, indicator light L1 is ON to show that the oven is ready for operation (in standby mode).

Selection Function

- When the oven is in the stand-by mode, you can choose the function by "Selection Button" K2, and the indicator lights L2, L3, L4 & L5 will be ON to show which function is chosen.
 - L2 is ON → chamber temperature is selected for adjustment.
 - L3 is ON → Internal core temperature is selected for adjustment.
 - L4 is ON → timer is selected for adjustment.
 - L5 is ON → hold temperature is selected for adjustment.
- You can then change the value by the adjustment buttons K3 & K4.
- You can also change the control values when the oven is in the operation mode by pressing the selection button K2 and then change the values by the adjustment buttons K3 & K4. After changing the values, the oven will continue the operation (in operation mode again).

- Whenever the standby [K1] button is pressed, all previous settings (chamber, core, hold temperature) will be cancelled. The oven is in standby mode again.

NOTE: If improper control values have been input when the oven is in stand-by mode (for example if the chamber temperature has been set lower than the surrounding temperature or the TIMER has been set to 000), the oven will beep 6 times after you press the "Start / Pause Button" K5 and then enters into the Hold Mode.

EN

Control Value Range

- Chamber temperature (L2): 30 – 120°C
- Internal food temperature (L3): Up to 100°C (Provided that internal food temperature < chamber temperature)
- Timer (L4): 0 – 60 hours
- Hold temperature (L5): Up to 100°C (Provided that hold temperature < chamber temperature)

Operation

- When the oven is in the stand-by mode, start the appliance by pressing the "Start / Pause Button" K5. The "Operation indicator light L6 and hold temperature indicator light L5 will be ON. After few seconds, the display D1 will show the PRE-SET temperature and the ACTUAL temperature of the chamber alternatively (the oven is in the operation mode).
 - During operation, change the control values by pressing the "Selection Button" K2 and then change the values by "Adjustment Buttons" K3 & K4. After changing the values, the oven will continue operating.
 - The appliance has 2 ventilation openings – one in the door, one in the back. These are intended for regulating the humidity in the oven chamber. They can be closed with the integrated sliders. As a rule of thumb: if the food should retain moisture keep them closed, if the food should become crunchy/crispy, keep them open. This results in moisture loss. Experience by experimentation will yield the best results.
- Note: This appliance has stainless steel pan and tray holders, suitable for GN 1/1 containers, grids and trays as well as 600 x 400 mm bakery trays (all are not included) on 3 levels.



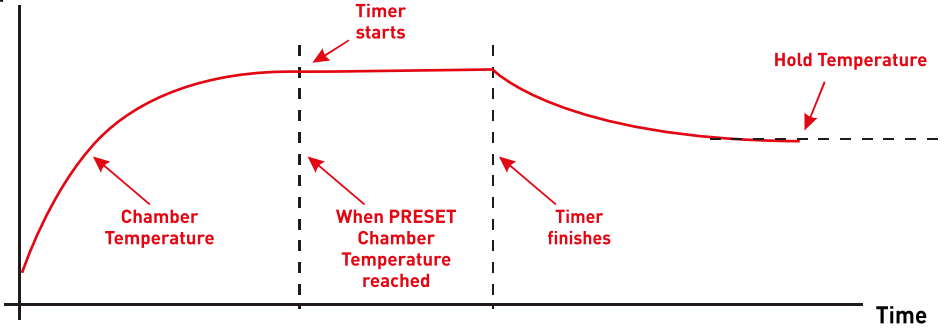
You can cook the food in two different operating methods:

A. Baking with timer

You can set the chamber temperature, timer and hold temperature. The oven then starts heating until the ACTUAL chamber temperature reaches the PRESET chamber temperature. On this moment the timer starts counting (a beep will sound). When

the timer counting has been finished (3 beeps will sound), the oven enters into Hold Mode. The oven will let the chamber temperature drop slowly until it reaches the hold temperature and keeps it stable (Hold Mode).

Temperature



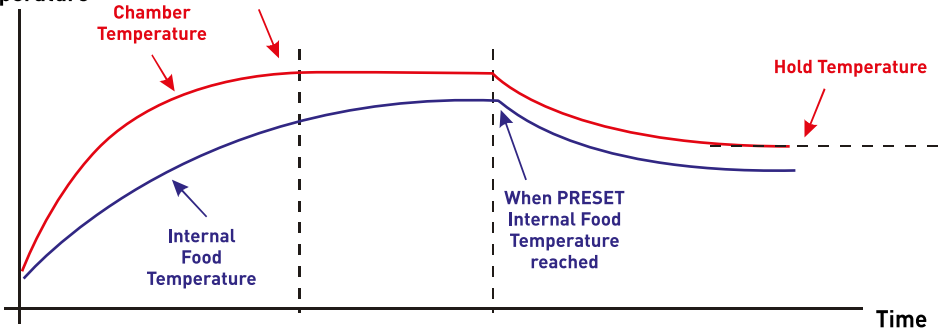
B. Baking with core probe

You can set the chamber temperature, internal food temperature and hold temperature. The oven starts heating until the ACTUAL chamber temperature reaches the PRESET chamber temperature. Then the oven keeps the chamber temperature stable until the ACTUAL internal core temperature

reaches the PRESET Internal core temperature. The oven will then let the chamber temperature drop slowly until it reaches the hold temperature and keeps it stable (Hold temperature mode).

Note: there is no timer function in this case.

Temperature



Pause

When the oven is in operation, the oven will PAUSE if the "START/PAUSE" (K5) button has been pressed and resume operation (with temperature settings

unchanged) when the "START/PAUSE" button is pressed again.

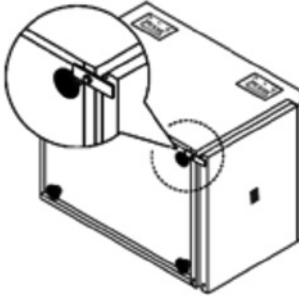
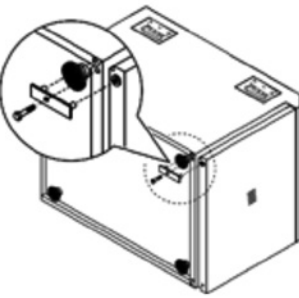
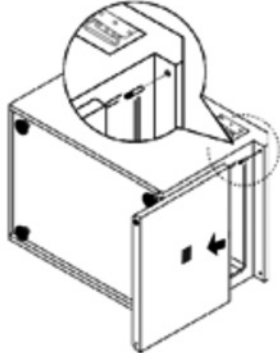
Switch OFF

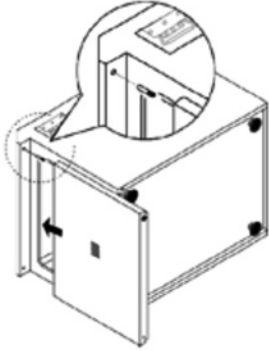
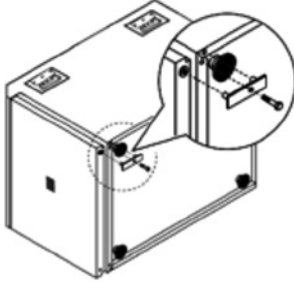
When the oven is in the operation mode or hold mode, you can switch off the oven by pressing the standby button K1 (the oven is in standby mode now). Power indicator light L1 is still ON, but all other

indicator lights L2 to L5 will be off. Switch off: turn off the green ON / OFF switch at the rear side to the "0" position. If not present, then remove the plug from the socket.

If needed reverse the door

It is possible to reverse the door according to the following instructions.

Step 1	Step 2	Step 3
		
<ul style="list-style-type: none">• Switch off the appliance and disconnect the power supply• Wait until the appliance has cooled down• Remove any food trays inside the chamber• Lay down the appliance on the side so that the hinge of the door is on the top	<ul style="list-style-type: none">• Use a flat screw driver to loosen the screw and remove the door hinges	<ul style="list-style-type: none">• Remove the door• Use a flat screw driver to unscrew the bolt on the door's frame top part and reverse the bolt position

Step 4	Step 5
	
<ul style="list-style-type: none"> • Lay the appliance sideways on the other side • Reassemble the door 	<ul style="list-style-type: none"> • Reinstall the hinge • Position the oven in horizontal position and reconnect the power supply

Troubleshooting and Error Codes:

If the appliance does not function properly, please check the below table for the solution. If you are still unable to solve the problem, please contact the supplier/service provider.

Fault	Possible cause	Possible solution
Appliance does not work	No power at the electrical outlet	Check the fuse
	Green on/off switch at the rear side	Turn on the on/off switch at the rear side to the position "I"
	The plug is not plugged (correctly) into the electrical outlet	Check the plug
Appliance does not reach the set temperature	Heating element defective	Contact the supplier
	Control unit defective	Contact the supplier
	Heating element fuse defective	Contact the supplier

EN

When the temperature sensors or the temperature in the oven is not functioning correctly, the digital display D1 may show one of the following error codes.

Error Code	Possible Fault(s)	Possible solution
501	chamber temperature sensor (NTC) is shortened or open	Contact the supplier
	chamber temperature higher than 152°C or lower than -30°C	Wait until the chamber temperature restores to normal
502	Food core temperature sensor (NTC) is shortened or open	Contact the supplier
	Food core temperature higher than 158°C or lower than -15°C	Wait until the food core temperature restores to normal



Cleaning and maintenance

- Always remove the plug from the socket before cleaning the appliance.
- Beware: Never immerse the appliance in water or any other liquid!
- Clean the outside of the appliance with a damp cloth (water with mild detergent).
- Never use aggressive cleaning agents or abrasives. Do not use any sharp or pointed objects. Do not use petrol or solvents! Clean with a damp cloth and detergent if necessary. Do not use abrasive materials.
- Clean the ventilation slots (if applicable) with the vacuum cleaner.

Technical specifications

Item no.: 225479

Operating voltage and frequency: 220-240V~ 50/60Hz

Rated input power: 1200W

Chamber temperature range: 30 to 120°C (With 1°C interval of adjustment)

Protection class: class I

Waterproof protection class: IPX3

Dimension: 495x690x(H)415 mm

Net weight: approx. 27kg

Remark: Technical specification is subjected to change without prior notification.

Warranty

Any defect affecting the functionality of the appliance which becomes apparent within one year after purchase will be repaired by free repair or replacement provided the appliance has been used and maintained in accordance with the instructions and has not been abused or misused in any way. Your statutory rights are not affected. If the appliance is claimed under warranty, state where and

when it was purchased and include proof of purchase (e.g. receipt).

In line with our policy of continuous product development we reserve the right to change the product, packaging and documentation specifications without notice.

Discarding & Environment

When decommissioning the appliance, the product must not be disposed of with other household waste. Instead, it is your responsibility to dispose to your waste equipment by handing it over to a designated collection point. Failure to follow this rule may be penalized in accordance with applicable regulations on waste disposal. The separate collection and recycling of your waste equipment at the time of disposal will help conserve natural re-

sources and ensure that it is recycled in a manner that protects human health and the environment. For more information about where you can drop off your waste for recycling, please contact your local waste collection company. The manufacturers and importers do not take responsibility for recycling, treatment and ecological disposal, either directly or through a public system.

Sehr geehrte Kundin, sehr geehrter Kunde,

wir danken Ihnen für den Kauf des Gerätes Hendi. Machen Sie sich bitte mit dieser Anleitung noch vor der Inbetriebnahme des Gerätes vertraut, um Schäden durch die unsachgemäße Bedienung zu vermeiden. Den Sicherheitsregeln ist besondere Aufmerksamkeit zu widmen.

Sicherheitsregeln

- Die unsachgemäße Bedienung des Geräts kann zur schweren Beschädigung des Geräts sowie zu Verletzungen führen.
- Dieses Gerät ist für den gewerblichen Gebrauch bestimmt.
- Das Gerät ist ausschließlich zu dem Zweck zu benutzen, zu dem es hergestellt wurde. Der Hersteller haftet nicht für Schäden, die auf unsachgemäße Bedienung des Geräts zurückzuführen sind.
- Den Kontakt des Gerätes und des Steckers mit Wasser oder einer anderen Flüssigkeit vermeiden. Den Stecker unverzüglich aus dem Stecker ziehen und das Gerät von einem anerkannten Fachmann prüfen lassen, wenn das Gerät unbeabsichtigterweise ins Wasser fällt. Bei Nichteinhaltung dieser Sicherheitsvorschriften besteht Lebensgefahr.
- Nie eigenständig das Gehäuse des Gerätes zu öffnen versuchen.
- In das Gehäuse des Gerätes keine Gegenstände einführen.
- Den Stecker nicht mit nassen oder feuchten Händen berühren.
- ⚠ **Gefahr eines Stromschlags!** Das Gerät darf nicht selbstständig repariert werden. Sämtliche Mängel und Unzulänglichkeiten sind ausschließlich durch qualifiziertes Personal zu beseitigen.
- **Niemals ein beschädigtes Gerät benutzen!** Das beschädigte Gerät vom Netz trennen und sich mit dem Verkäufer in Verbindung setzen.
- **Warnung:** Die Elektroteile des Gerätes dürfen weder in Wasser noch in andere Flüssigkeiten getaucht werden. Ebenso ist das Gerät nicht unter fließendes Wasser zu halten.
- Der Stecker und die Stromversorgungsleitung sind regelmäßig auf Beschädigungen zu prüfen. Der beschädigte Stecker oder Leitung sind an eine Servicestelle oder einer anderen qualifizierten Person zur Reparatur zu übergeben, um eventuellen Gefahren und Verletzungen des Körpers vorzubeugen.
- Man muss sich davon überzeugen, ob die Stromversorgungsleitung weder mit scharfkantigen noch mit heißen Gegenständen in Berührung kommt; halten Sie die Leitung weit entfernt von einer offenen Flamme. Um den Stecker aus der Netzsteckdose zu nehmen, muss man immer am Stecker und nicht an der Leitung ziehen.
- Die Stromversorgungsleitung (oder Verlängerungsleitung) ist vor dem zufälligen Herausziehen aus der Steckdose zu schützen. Die Stromversorgungsleitung muss so geführt werden, dass niemand zufällig darüber stolpern kann.
- Das Gerät muss während seiner Anwendung ständig kontrolliert werden.
- **Warnung!** Wenn der Stecker in der Netzsteckdose ist, muss man das Gerät als an die Stromversorgung angeschlossen betrachten.
- Bevor der Stecker aus der Netzsteckdose genommen wird, ist das Gerät auszuschalten.


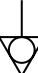
DE



- Das Gerät darf beim Tragen nicht an der Leitung gehalten werden.
- Benutzen Sie kein Zubehör, das nicht mit diesem Gerät mitgeliefert wurde.
- Das Gerät muss man ausschließlich an die Steckdose mit solch einer Spannung und Frequenz anschließen, wie auf dem Typenschild angegeben wird.
- Stecken Sie den Stecker in die Steckdose, die an einem leicht und bequem zugänglichen Ort angeordnet ist, und zwar so, dass das Gerät bei einer Störung sofort abgeschaltet werden kann. Um das Gerät vollständig auszuschalten, muss man es von der Stromquelle trennen. Zu diesem Zweck muss man den Stecker, der sich am Ende der vom Gerät getrennten Leitung befindet, aus der Netzsteckdose ziehen.
- Vor dem Abtrennen des Steckers ist das Gerät auszuschalten!
- Benutzen Sie kein Zubehör, das nicht vom Hersteller empfohlen wird. Die Anwendung vom nicht empfohlenen Zubehör stellt eine Gefahr für den Nutzer dar und kann zur Beschädigung des Gerätes führen. Benutzen Sie ausschließlich Ersatzteile und Zubehör im Original.
- Dieses Gerät eignet sich nicht für den Gebrauch durch Personen (gilt auch für Kinder) mit geringerer Motorik, Sensorik oder geistiger Fähigkeit oder mangelhafter Erfahrung und Wissen.
- Auf keinen Fall darf das Bedienen des Gerätes durch Kinder zugelassen werden.
- Das Gerät mit Stromversorgungsleitung ist außerhalb der Reichweite von Kindern zu lagern.
- Ebenso muss dafür gesorgt werden, dass die Kinder das Gerät nicht zum Spielen benutzen.
- Das Gerät ist immer dann von der Stromversorgung zu trennen, wenn es ohne Aufsicht bleiben soll bzw. auch vor der Montage, Demontage und Reinigung.
- Während der Nutzung darf das Gerät nicht ohne Aufsicht gelassen werden.

DE

Besondere Sicherheitsvorschriften

- Verwenden Sie das Gerät ausschließlich gemäß der Anleitung. Ausschließlich für den internen Gebrauch.
- Das Gerät ist ausschließlich durch das geschultes Personal in Küchen, Restaurants und Kantinen oder durch die Bedienpersonen an der Bar zu bedienen und zu montieren.
-  **Achtung! Heiße Fläche!** Die äußeren Flächen des Geräts erwärmen sich bei seinem Betrieb auf sehr hohe Temperaturen. Berühren Sie ausschließlich das Steuerpanel.
-  Hinten am Gerät befindet sich eine Äquipotential-Steckdose, die einen Queranschluss an ein anderes Gerät ermöglicht.
- Lagern Sie es weit entfernt von heißen Flächen oder offenem Feuer. Stellen Sie das Gerät auf eine ebene, stabile, saubere und trockene Fläche auf, die auch gegen die Einwirkung hoher Temperaturen beständig ist.
- Verwenden Sie das Gerät nicht in der Nähe von explosiven oder leichtbrennbaren Materialien, Geldkarten, Magnetdisketten oder Radiogeräten.
- Das Gerät ist für die Bedienung durch eine externe Schaltuhr oder ein gesondertes Fernsteuersystem nicht geeignet.



- **WARNUNG:** Verdecken Sie nicht die Belüftungsöffnungen im Gehäuse des Gerätes.
- Belassen Sie einen Freiraum von mindestens 15 cm rundum das Gerät, um eine richtige Belüftung zu gewährleisten.
- Waschen Sie das Gerät nicht mit einem starken Wasserstrahl. Beim Waschen des Geräts kann Wasser in den elektrischen Teil gelangen und so zu einem Stromschlag führen.
- Reinigen und stellen Sie das Gerät nicht am Lagerort ab, bis es nicht völlig abgekühlt ist.
- Seien Sie besonders vorsichtig, indem Sie das Gerät verlegen. Es ist sehr schwer. Das Gerät sollte von 2 Personen oder mittels eines Rollwagens verlegt werden. Tragen Sie das Gerät langsam und vorsichtig, damit es in keinem größeren Winkel als 45° geeignet wird.
- Verlegen Sie das Gerät nicht während seines Betriebs.

Verwendungszweck des Gerätes

- Das Gerät ist für den professionellen Einsatz geeignet.
- Dieses Gerät ist ausschließlich für die langsame Zubereitung von Lebensmitteln unter Niedertemperatur mittels eines kontrollierten Prozesses vorgesehen. Die Verwendung des Gerätes für andere Zwecke kann zu seiner Beschädigung sowie zu Körperverletzungen führen.
- Jede andere Verwendung des Gerätes gilt als nicht bestimmungsgemäß. Der Benutzer ist allein verantwortlich für die unsachgemäße Nutzung des Gerätes.

Montage der Erdung

Der Mixer ist ein Gerät der I. Schutzklasse und erfordert eine Erdung. Die Erdung verringert das Risiko eines Stromschlags, da der elektrische Strom über den Schutzleiter abgeleitet wird. Das Gerät ist

mit einem Schutzleiter mit Erdungskontakt ausgerüstet. Der Stecker muss an die Netzsteckdose angeschlossen werden, die entsprechend montiert und geerdet wurde.

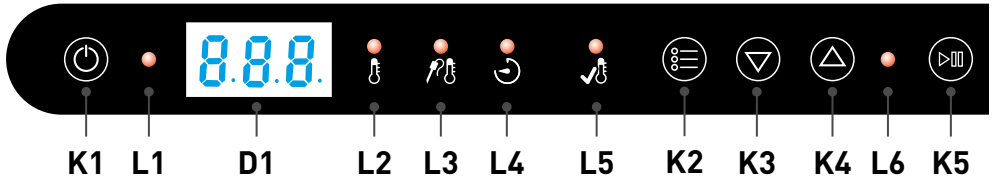
DE

Vorbereitung der Inbetriebnahme

- Das Gerät auf Schäden hin prüfen. Setzen Sie sich im Beschädigungsfall sofort mit Ihrem Lieferanten in Verbindung und benutzen Sie das Gerät NICHT.
 - Die gesamte Verpackung und eventuell vorliegende Schutzfolie entfernen.
 - Das Gerät mit lauwarmem Wasser und einem weichen Tuch reinigen.
 - Das Gerät waagrecht hinstellen sofern nicht anders angegeben ist.
 - Um das Gerät herum sollte ausreichender Freiraum vorliegen.
 - Das Gerät so aufstellen, dass der Stecker jederzeit abgezogen werden kann.
 - Stellen Sie die höchste Erhitzungstemperatur in der Kammer ein und lassen sie für ca. 1 Stunde.
- Hinweis: Auf Grund von Rückständen aus dem Produktionsprozess kann während der ersten Inbetriebnahme ein unangenehmer Geruch aus dem Gerät entweichen. Das ist eine normale Erscheinung und weder eine Beschädigung des Gerätes noch eine Gefährdung für den Nutzer. Prüfen Sie, ob das Gerät gut belüftet wird.**
- ⇒ Folgen Sie immer die HACCP-Vorschriften.



Bedienfeld



	Grüner EIN-/AUS-Schalter, hinten am Gerät
K1	Standbyknopf
K2	Funktionsauswahltaaste
K3	Verringerung der Werte: Temperatur / Zeit (TEMP/TIME)
K4	Erhöhung der Werte: Temperatur / Zeit (TEMP/TIME)
K5	Start / Pause Knopf
D1	Digitales Display
L1	Ein/Aus - Kontrolleuchte
L2	Kontrolleuchte für Garraumtemperatur
L3	Kontrolleuchte für die Innentemperatur des Lebensmittels (unter Verwendung der mitgelieferten Temperatursonde)
L4	Kontrolleuchte für Time
L5	Kontrolleuchte für Temperatur HALTEN
L6	Kontrolleuchte für Programmstart

DE

Start

Schließen Sie den Stecker an die entsprechende Elektrosteckdose an und drücken Sie den grünen EIN-/AUS-Schalter hinten am Gerät, indem Sie ihn auf die Position „I“ stellen. Drücken Sie die Standby-Taste (K1).

- Der Ofen pieps nun einmal und alle Kontrolleuchten, L1 – L5, sowie das Display D1 gehen für 5 Sekunden an. Danach zeigt das Display L1 „ON“ an und der Ofen ist nun betriebsbereit. (befindet sich im Standby Modus).

Auswahlfunktion

- Befindet sich der Ofen im Standby Modus, können Sie die Funktionen auswählen durch den Auswahlknopf K2. Die Kontrolleuchten L2 – L5 zeigen die jeweiligen ausgewählten Funktionen an.
 - o L2 leuchtet → Garraumtemperatur wurde eingestellt.
 - o L3 leuchtet → Kerntemperatur wurde eingestellt.
 - o L4 leuchtet → Timer wurde eingestellt.
 - o L5 leuchtet → Temperatur zum Temperatur halten wurde eingestellt.
- Sie können die jeweiligen Werte durch die Einstellknöpfe K3 & K4 ändern.
- Sie können die eingestellten Werte auch während des Betriebes durch drücken des Auswahlknopf-

- fel K2 ändern. Sie können die jeweiligen Werte durch die Einstellknöpfe K3 & K4 ändern. Nachdem Sie alle Änderungen vorgenommen haben, nimmt der Ofen den Betrieb wieder auf.
- Nach jedem Drücken der Standby-Taste (K1) werden alle bisherigen Einstellungen (Kammer, Sonde, Halttemperatur) zurückgestellt. Der Ofen befindet sich wieder im Standby-Modus.

Anmerkung: Sollten Sie falsche Werte ausgewählt haben, während sich der Ofen im Standby Modus befindet(z.B. Garraumtempertur wurde nicht oder falsch eingestellt auf 000°C), wird der Ofen 6 x piepen nachdem Sie den Start/Pause Knopf K5 betätigt haben und geht in den Halten Modus.



Wertbereiche

- Garraumtemperatur (L2): 30 - 120°C
- Innentemperatur der Speisen (L3): Bis 100 °C (unter der Bedingung, dass die Innentemperatur der Speisen niedriger als die Temperatur in der Kammer ist)

- Timer (L4): 0 - 60 Stunden
- Halttemperatur (L5): Bis 100 °C (unter der Bedingung, dass die Halttemperatur niedriger als die Temperatur in der Kammer ist)

Betrieb

- Wenn sich der Ofen im Standby Modus befindet, starten Sie das Gerät durch drücken der "Start / Pause" Taste K5. Die Kontrollleuchte für Programmstart L6 sowie der Temperature halten Indikator L5 leuchten nun. Das Display wechselt nun alle 5 Sekunden zwischen eingestellter und tatsächlicher Temperatur. Der Ofen befindet sich nun in Betrieb.
- Sie können die eingestellten Werte auch während des Betriebes durch drücken des Auswahlknopfes K2 ändern. Sie können die jeweiligen Werte durch die Einstellknöpfe K3 & K4 ändern. Nachdem Sie alle Änderungen vorgenommen haben, nimmt der Ofen den Betrieb wieder auf.
- Das Gerät hat 2 Lüftungsöffnungen – eine an der

Tür, die zweite auf der Rückseite. Diese werden zum Regulieren der Luftfeuchtigkeit im Garraum benötigt. Diese Öffnungen können auch durch die eingebauten Schieber geschlossen werden.

Als Faustregel gilt hier: Sollte das Gargut die Flüssigkeit behalten, schließen Sie die Lüftungsöffnung. Soll das Gargut knusprig/knackig werden, öffnen Sie diese Öffnungen. Dadurch entsteht Feuchtigkeitsverlust. Sammeln Sie Erfahrungswerte durch unterschiedliche Einstellung bis das Ergebnis Ihren Wünschen entspricht. Hinweis: Die Führung aus Edelstahl ist an die Behälter GN 1/1, Roste und Bleche mit den Abmessungen von 600x400 mm (nicht mitgeliefert) auf 3 Ebenen.

Sie können die Lebensmittel durch 2 unterschiedliche Methoden zubereiten:

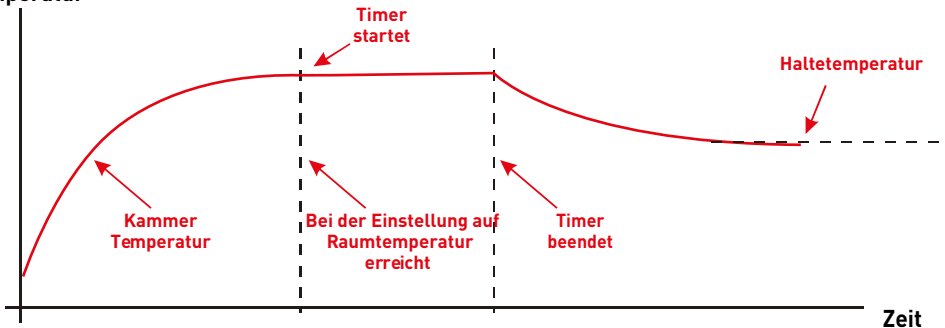
A. Mittels Timer

Stellen Sie Garraum-, Halttemperatur und den Timer ein. Der Ofen heizt nun so lange bis die aktuelle Garraumtemperatur die eingestellte Garraumtemperatur erreicht hat.

Beim Erreichen der eingestellten Temperatur startet der Timer (ertönt ein Signalton). Wenn der

Timer abgelaufen ist (3 Signaltöne ertönen), wechselt der Ofen in den HALTEN Modus und senkt nun Schritt für Schritt die Temperatur bis die tatsächliche Garraumtemperatur die eingestellte Halten Temperatur erreicht hat und hält diese.

Temperatur

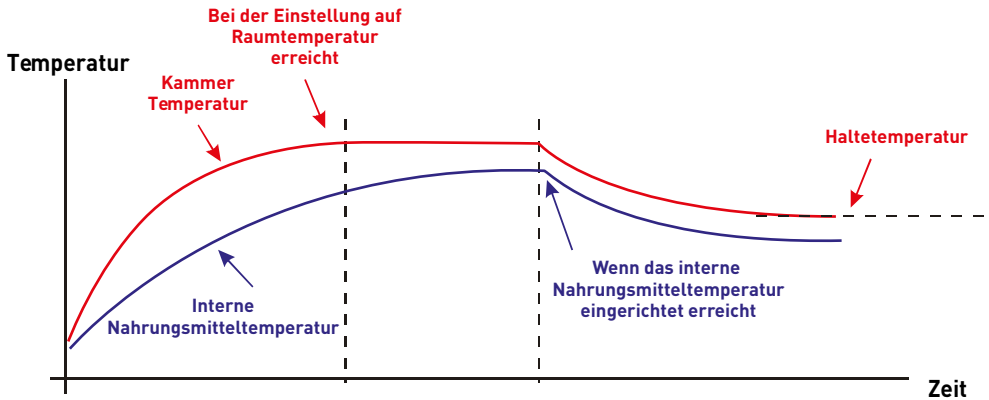


B. Mittels Kerntemperatur

Der Nutzer kann die Temperatur der Ofenkammer, die gewünschte Innentemperatur der Speisen sowie die Haltetemperatur einstellen. Der Ofen erwärmt sich so lange, bis die IST-Temperatur in der Kammer die SOLL-Temperatur erreicht. Der Ofen hält die Temperatur so lange an, bis IST-Innentemperatur der Speisen die Soll-Temperatur erreicht.

Dann wird der Ofen die Temperatur der Kammer langsam verringern, bis die Haltetemperatur erreicht wird und er wird diesen Wert konstant halten (Warmhalten-Modus).

Achtung: in diesem Modus kann man den Timer nicht einstellen.



DE

Pause

Wenn der Ofen in Betrieb ist, kann eine Pause eingestellt werden durch Drücken der START/PAUSE (K5). Weiter gehen heißt nochmals die START/

PAUSE (K5) Taste eindrücken (die Temperatur-Einstellungen bleiben unverändert).

Ausschalten

Wenn sich der Ofen im Betriebsmodus oder Warmhalten-Modus befindet, kann der Nutzer den Ofen ausschalten, indem er die Standby-Taste K1 drückt (der Ofen übergeht in den Standby-Modus). Die Kontrollleuchte für den Anschluss des Geräts an die Stromversorgung L1 wird weiter beleuchtet,

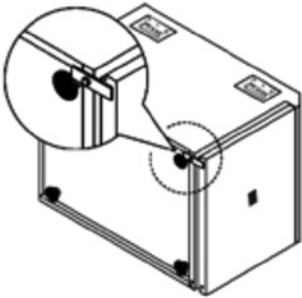
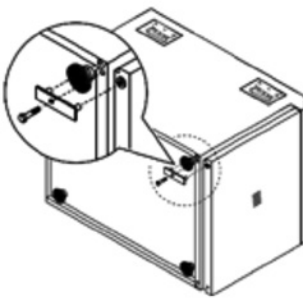
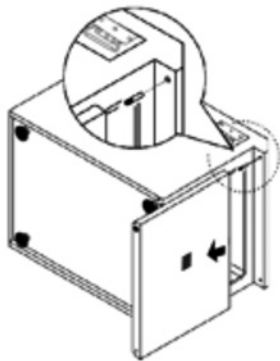
aber die Leuchten L2-L5 erlöschen. Ausschalten des Geräts: stellen Sie den EIN-/AUS-Schalter hinten am Gerät auf die Position „0“. Ist das Gerät mit dem EIN-/AUS-Schalter nicht ausgerüstet, ziehen Sie den Stecker aus der Steckdose.



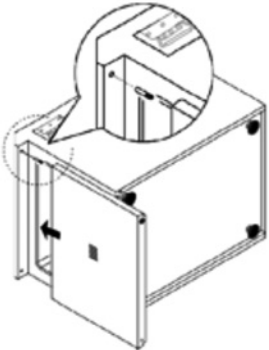
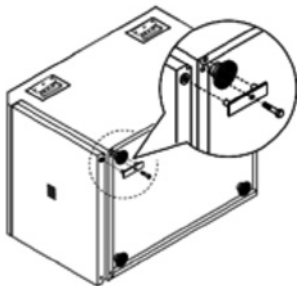
Im Bedarfsfall: Demontage der Tür

(Sie haben bei diesem Gerät die Möglichkeit die Tür umzumontieren, so dass der Türgriff auf der anderen Seite ist)

Demontieren Sie die Türe wie nachfolgend beschrieben:

Schritt 1	Schritt 2	Schritt 3
		
<ul style="list-style-type: none">• Schalten Sie das Gerät aus und trennen Sie den Netzstecker vom Strom.• Warten Sie bis das Gerät abgekühlt ist.• Entnehmen Sie sämtliche Bleche aus dem Garraum.• Legen Sie das Gerät auf die Seite, so, dass die Türeinhängung oben ist.	<ul style="list-style-type: none">• Verwenden Sie einen flachen Schraubenzieher um die Schraube aufzuschrauben und entnehmen Sie die Türfixierung	<ul style="list-style-type: none">• Entfernen Sie die Tür• Verwenden Sie einen flachen Schraubenzieher um den Bolzen am Türrahmen aufzuschrauben. Entnehmen Sie diesen anschließend.

DE

Schritt 4	Schritt 5
	
<ul style="list-style-type: none">• Drehen Sie das Gerät auf die gegenüberliegende Seite• Montieren Sie die Türe gem. Vorher beschriebenen Schritten 3+2	<ul style="list-style-type: none">• Montieren Sie die Einhängung• Stellen Sie das Gerät wieder horizontal auf und schließen Sie den Netzstecker an.



Problemlösung und Fehlercodes:

Wenn das Gerät nicht richtig funktioniert, muss man sich zum Finden der richtigen Lösung mit der nachfolgenden Tabelle vertraut machen. Wenn Sie das Problem nicht lösen können, dann setzen Sie sich bitte mit dem Lieferanten in Verbindung.

Fehler	Mögliche Ursache	Mögliche Lösung
Gerät arbeitet nicht	Kein Strom in der Steckdose	Prüfen Sie die Steckdose
	Grüner EIN-/AUS-Schalter, hinten am Gerät	Stellen Sie den grünen EIN-/AUS-Schalter hinten am Gerät auf die Position „I“.
	Der Netzstecker ist defekt oder nicht richtig in der Steckdose.	Prüfen Sie den Netzstecker
Gerät erreicht die eingestellte Temperatur nicht	Das Heizelement ist kaputt	Kontaktieren Sie den Lieferanten
	Das Bedienfeld ist kaputt	Kontaktieren Sie den Lieferanten
	Die Sicherung der Heizelements ist kaputt	Kontaktieren Sie den Lieferanten

Wenn Temperatursensoren nicht richtig arbeiten, zeigt das Display D1 folgende Fehlercodes an:

FehlerCode	Mögliche Fehler	Mögliche Lösungen
501	Der Temperaturfühler des Garraums (NTC) ist kaputt	Kontaktieren Sie den Lieferanten
	Der Garraum hat eine Temperatur von mehr als 152°C oder weniger als -30°C	Warten Sie bis der Garraum wieder Normaltemperatur erreicht hat
502	Der Kerntemperaturfühler des Garraums (NTC) ist kaputt	Kontaktieren Sie den Lieferanten
	Das Gargut hat eine Temperatur von mehr als 152°C oder weniger als -30°C	Warten Sie bis das Gargut wieder Normaltemperatur erreicht hat

Reinigung und Wartung

- Vor jeder Reinigung stets den Stecker ziehen.
- Achtung: Tauchen Sie das Gerät nicht in Wasser oder andere Flüssigkeiten ein!
- Das Gehäuse mit einem feuchten Tuch (Wasser mit einem milden Reinigungsmittel) reinigen.
- Keine aggressiven Reinigungs- oder Scheuermittel benutzen. Keine scharfen, spitzen Gegenstände benutzen. Kein Benzin und keine Lösungsmittel benutzen! Das Gerät mit einem feuchten Tuch und eventuell Spülmittel reinigen. Keine scheuernden Materialien benutzen.
- Die eventuelle Lüftungsöffnungen mit dem Staubsauger reinigen.

Technische Spezifikation

Bestellnummer: 225479

Betriebsspannung und Frequenz: 220-240V- 50/60Hz

Nennleistungsaufnahme: 1200W

Temperaturbereich in der Kammer: von 30 bis 120°C (einstellbar in 1°C-Schritten)

Schutzklasse: Klasse I

Wasserbeständigkeitsklasse: IPX3

Abmessungen: 495x690x(Höhe)415 mm

Nettogewicht: ca. 27 kg

Hinweis: Die technische Spezifikation kann ohne Vorankündigung verändert werden.



Garantie

Alle innerhalb von einem Jahr nach dem Kaufdatum festgestellten Defekte oder Mängel, die die Funktionalität des Gerätes beeinträchtigen, werden auf dem Wege der unentgeltlichen Reparatur bzw. des Austausches unter der Voraussetzung beseitigt, dass das Gerät in einer der Bedienungsanleitung gemäßen Art und Weise betrieben und gewartet wird und weder vorsätzlich vernichtet noch nicht bestimmungsgemäß genutzt wurde. Ihre Rechte aus den entsprechenden Gesetzen

bleiben davon unberührt. Eine in der Garantiefrist einzureichende Beanstandung hat die Angabe des Kaufortes und Kaufdatums und in der Anlage einen Kaufbeleg (z.B. Kassenzettel) zu enthalten.

Gemäß unserer Politik der ständigen Weiterentwicklung unserer Produkte behalten wir uns vor, Änderungen am Produkt, an seiner Verpackung und an den dokumentierten technischen Daten ohne vorherige Ankündigung vorzunehmen.

Entsorgung und Umweltschutz

Wird das Gerät außer Betrieb genommen, darf es nicht über den Hausmüll entsorgt werden. Der Benutzer ist für die Übergabe des Gerätes an eine geeignete Sammelstelle für Altgeräte verantwortlich. Die Nichteinhaltung dieser Regel kann gemäß den geltenden Vorschriften über die Abfallentsorgung bestraft werden. Die getrennte Sammlung und das Recycling der Altgeräte trägt zur Schonung der natürlichen Ressourcen bei und sorgt

für eine umwelt- und gesundheitsschonende Verwertungsweise. Weitere Informationen darüber, wo Sie Ihre Altgeräte entsorgen können, erhalten Sie bei Ihrem örtlichen Entsorgungsunternehmen. Der Hersteller und der Importeur übernehmen keine Verantwortung für das Recycling sowie die umweltfreundliche Verwertung von Abfällen, weder direkt noch über ein öffentliches System.



Geachte klant,



Hartelijk dank voor de aankoop van dit Hendi apparaat. Leest u deze gebruiksaanwijzing zorgvuldig voordat u het apparaat gebruikt, dit om schade door verkeerd gebruik te voorkomen. Lees vooral de veiligheidsinstructies aandachtig door.

Veiligheidsinstructies

- Onjuiste bediening en verkeerd gebruik van het apparaat kan ernstige schade aan het apparaat en verwonding van personen tot gevolg hebben.
- Dit apparaat bedoeld voor commerciële doeleinde.
- Het apparaat mag alleen worden gebruikt voor het doel waarvoor het werd ontworpen. De fabrikant aanvaardt geen enkele aansprakelijkheid voor schade als gevolg van onjuiste bediening en verkeerd gebruik.
- Zorg dat het apparaat en de stekker niet met water of een andere vloeistof in aanraking komen. Mocht het apparaat onverhoopt in het water vallen, trek dan onmiddellijk de stekker uit het stopcontact en laat het apparaat controleren door een erkend vakman. Niet-naleving hiervan kan levensgevaar opleveren.
- Probeer nooit zelf de behuizing van het apparaat te openen.
- Steek geen voorwerpen in de behuizing van het apparaat.
- Raak de stekker niet met natte of vochtige handen aan.
- ⚡ **Gevaar van elektrische schokken!** Probeer het apparaat niet zelf te repareren. In het geval van storingen, laat reparaties alleen uitvoeren door gekwalificeerd personeel.
- **Gebruik nooit een beschadigd apparaat!** Als het apparaat is beschadigd, haal de stekker dan uit het stopcontact en neem contact op met de winkel.
- **Waarschuwing!** Dompel de elektrische onderdelen van het apparaat niet onder in water of andere vloeistoffen. Houd het apparaat nooit onder stromend water.
- Controleer de stekker en het netsnoer regelmatig op schade. Als de stekker of het netsnoer is beschadigd, moet het worden vervangen door de technische dienst of een soortgelijk gekwalificeerd persoon om gevaar of letsel te voorkomen.
- Zorg ervoor dat het netsnoer niet in contact komt met scherpe of hete voorwerpen en houd het uit de buurt van open vuur. Als u de stekker uit het stopcontact wilt halen, trek dan altijd aan de stekker en niet aan het netsnoer.
- Zorg ervoor dat niemand per ongeluk aan het netsnoer (of verlengsnoer) kan trekken of kan struikelen over het netsnoer.
- Houd het apparaat in de gaten tijdens gebruik.
- **Waarschuwing!** Zolang de stekker in het stopcontact zit, is het apparaat aangesloten op de voedingsbron.
- Schakel het apparaat uit voordat u de stekker uit het stopcontact trekt.
- Draag het apparaat nooit aan het netsnoer.
- Gebruik geen extra hulpmiddelen die niet worden meegeleverd met het apparaat.
- Sluit het apparaat alleen aan op een stopcontact met de spanning en frequentie die is vermeld op het typeplaatje.

- Sluit de stekker aan op een stopcontact dat eenvoudig bereikt kan worden, zodat de stekker in geval van nood onmiddellijk uit het stopcontact kan worden getrokken. Trek de stekker volledig uit het stopcontact om het apparaat volledig uit te schakelen. Gebruik de stekker om het apparaat los te koppelen van het lichtnet.
- Schakel het apparaat altijd uit voordat u de stekker uit het stopcontact trekt.
- Gebruik nooit accessoires die niet worden aanbevolen door de fabrikant. Zij kunnen mogelijk een veiligheidsrisico vormen voor de gebruiker en kunnen het apparaat mogelijk beschadigen. Gebruik alleen originele onderdelen en accessoires.
- Dit apparaat is niet geschikt voor gebruik door personen (inclusief kinderen) met een verminderd fysiek, sensorisch of geestelijk vermogen, of gebrek aan ervaring en kennis.
- Dit apparaat mag onder geen enkele omstandigheid worden gebruikt door kinderen.
- Houd het apparaat en het netsnoer buiten bereik van kinderen.
- Kinderen mogen niet met het apparaat spelen.
- Koppel het apparaat altijd los van het lichtnet als het onbeheerd wordt achtergelaten en voordat het apparaat wordt gemonteerd, gedemonteerd of gereinigd.
- Laat het apparaat nooit onbeheerd achter tijdens gebruik.

Speciale veiligheidsvoorschriften

- Gebruik het apparaat alleen zoals beschreven in deze handleiding. Alleen voor gebruik binnenshuis.
- Dit apparaat moet worden gebruikt en geïnstalleerd door opgeleid personeel in keukens van een restaurants, kantines of barpersoneel, etc.
-  **Let op! Heet oppervlak!** De temperatuur van de buitenoppervlakken is hoog tijdens gebruik. Raak alleen het bedieningspaneel aan.
-  Er zit een potentiaalvereffeningsaansluiting op de achterkant van het apparaat voor 'cross bonding' met andere apparatuur.
- Houd het apparaat uit de buurt van hete oppervlakken en open vuur. Gebruik het apparaat altijd op een vlakke, stabiele, schone, hittebestendige en droge ondergrond.
- Gebruik het apparaat niet in de buurt van explosieve of brandbare materialen, credit cards, magnetische schijven of radio's.
- Dit apparaat is niet bedoeld om gebruikt te worden met behulp van een externe timer of aparte afstandsbediening.
- **WAARSCHUWING:** Houd alle ventilatieopeningen in de behuizing van het apparaat vrij.
- Laat tijdens gebruik minimaal 15 cm ruimte vrij rond het apparaat voor ventilatiedoel-einden.
- Was het apparaat niet met water of een waterstraal. Wassen met water kan lekkage veroorzaken en het risico op elektrische schokken verhogen.
- Reinig of berg het apparaat niet op tenzij het volledig is afgekoeld.
- Er is speciale aandacht vereist als u het apparaat wilt verplaatsen of transporteren, omdat het apparaat zeer zwaar is. Verplaats met minimaal 2 personen of gebruik een karretje om te helpen bij het verplaatsen. Verplaats het apparaat langzaam, voorzichtig en nooit gekanteld onder een hoek groter dan 45°.



- Verplaats het apparaat niet tijdens gebruik.

Beoogd gebruik

- Het apparaat is bestemd voor professioneel gebruik.
- Dit apparaat is ontworpen voor het, door middel van een gecontroleerd proces, langzaam bereiden of regenereren van voedsel. Elk ander gebruik kan leiden tot schade aan het apparaat of lichamelijk letsel.
- Gebruik van het apparaat voor andere doeleinden wordt beschouwd als verkeerd gebruik van het apparaat. De gebruiker is volledig aansprakelijk voor alle risico's die voortvloeien uit verkeerd gebruik van het apparaat.

Installatie met aarding

Dit apparaat is geclassificeerd als beschermingsklasse I en moet worden aangesloten op een aansluiting met aarde. Aarding verlaagt de kans op elektrische schokken doordat elektrische stroom via een ontsnapingsdraad kan weglopen. Dit ap-

paraat is uitgerust met een snoer met een aarde-draad en een geaarde stekker. De stekker moet in een stopcontact worden gestoken dat juist is geïnstalleerd en geaard.

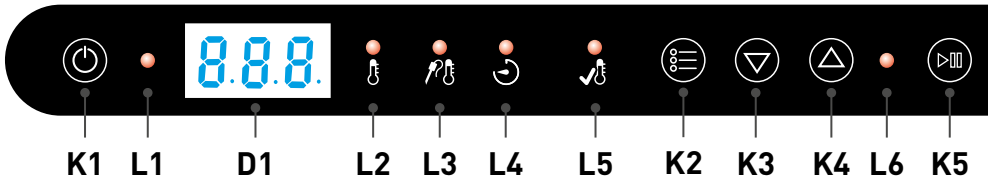
Ingebruikname

- Controleer of het apparaat niet beschadigd is. Neem in geval van beschadiging onmiddellijk contact op met uw leverancier en gebruik het apparaat NIET.
- Verwijder al het verpakkingsmateriaal en de eventueel aanwezige beschermfolie.
- Reinig het apparaat met handwarm water en een zachte doek.
- Plaats het apparaat waterpas op een stabiele ondergrond, tenzij anders aangegeven.
- Zorg ervoor dat, bij toestellen met ventilatiesleuven, er rondom het apparaat genoeg ruimte vrij blijft voor de afvoer van warmte.
- Plaats het apparaat zo dat de stekker te allen tijde bereikbaar is.
- Verwarm het apparaat een uur voor op de hoogste kamertemperatuur zonder voedsel.

Opmerking: Door fabricageresten kan het apparaat een lichte geur afgeven. Dit is normaal en duidt niet op een defect of gevaar. Zorg ervoor dat het apparaat goed wordt geventileerd.

⇒ **Neem te allen tijde de HACCP normen in acht.**

Bedieningspaneel



	Groene AAN/UIT-knop op de achterkant
K1	Standbyknop
K2	Functieknop
K3	Verlaag instelling (Temp / Tijd)
K4	Verhoog instelling (Temp / Tijd)
K5	Start / Pauseknop
D1	Digitaal bedieningspaneel
L1	Stroomindicatie lampje
L2	Ovenkamer temperatuur indicatielamp
L3	Indicatielampje interne voedseltemperatuur (maak gebruik van de meegeleverde kerntemperatuursonde)
L4	Timer indicatielamp
L5	Warmhoud indicatielamp
L6	Indicatielamp voor programmastart

Start

Steek de stekker in een geschikt stopcontact en druk op de groene AAN/UIT-knop op de achterkant naar de stand "I". Druk op de standbyknop (K1).

- De oven zal een keer piepen en alle indicatielampen zullen oplichten, L1 tot L5 en het bedieningspaneel D1 een halve seconde. Daarna zal de indicatielamp L1 blijven branden. De oven klaar is om te starten met programmeren (in standby stand).

Selectie functie

- Als de oven in de standby stand staat, kunt u functies kiezen via de selectieknop K2. De gekozen functie indicatielampen L2, L3, L4 & L5 zullen branden, afhankelijk van de gekozen functie.
 - o L2 brandt → Ovenkamertemperatuur is geselecteerd om in te stellen.
 - o L3 brandt → Kerntemperatuur is geselecteerd om in te stellen.
 - o L4 brandt → Timer is geselecteerd om in te stellen.
 - o L5 brandt → Warmhoudtemperatuur is geselecteerd om in te stellen
- De waarden kunnen worden aangepast m.b.v. de knoppen K3 & K4.
- De waarden kunnen ook aangepast worden als de oven is gestart door te drukken op de knop K2 en

dan de waarden te veranderen met de knoppen K3 & K4. Nadat de waarden zijn aangepast, zal de oven verder gaan met het programma (weer in de gebruiksmodus).

- Wanneer er op de standbyknop (K1) wordt gedrukt, worden alle eerdere instellingen (kamer-, kern-, warmhoudtemperatuur) geannuleerd. De oven staat weer in de standbystand.

N.B.: Als onjuiste waarden zijn gekozen als de oven in de standby stand staat, (bijv. als de ovenkamer-temperatuur lager staat ingesteld dan de omgevingstemperatuur of als de timer op 000 staat), zal de oven 6 keer piepen nadat de "Start-Pause knop" K5 is ingedrukt en zal daarna in de warmhoudstand gaan.



Waardebereik

- Ovenkamertemperatuur (L2): 30 – 120°C
- Internet voedseltemperatuur (L3): tot 100°C (op voorwaarde dat de interne voedseltemperatuur < kamertemperatuur)
- Timer (L4): 0 – 60 uur
- Warmhoudtemperatuur (L5): tot 100°C (op voorwaarde dat de warmhoudtemperatuur < kamertemperatuur)

Bediening

- Wanneer de oven in de standby stand staat, start het apparaat door op de "Start / Pause knop" K5 te drukken. De indicatielamp voor de programmastart L6 zal gaan branden en de warmhoud indicatielamp L5 brandt ook. Na 4.5 seconden, toont het bedieningspaneel D1 de ingestelde temperatuur en de huidige temperatuur van de ovenkamer afwisselend (de oven bevindt zich in de gebruiksmodus).
- Tijdens het gebruik, kunt u de waarden veranderen door te drukken op de selectieknop K2 en vervolgens op de hoger/lager knoppen K3 & K4. Nadat u de waarden hebt veranderd zal de oven verder gaan.
- Deze oven heeft 2 ventilatieopeningen – één in de deur, de ander in de achterzijde. Deze zijn bedoeld om de luchtvochtigheid van de ovenkamer te regelen. Ze kunnen worden gesloten met de geïntereerde schuifregelaars. Als vuistregel geldt: als voedsel vocht moet behouden, houd de ventilatieopeningen gesloten en als voedsel knapperig/kokant moet worden, houd ze open. Hierdoor ontstaat vochtverlies. Ervaring door te experimenteren geeft de beste resultaten.

Opmerking: Dit apparaat heeft roestvrijstalen pan- en bakhouders geschikt voor GN 1/1 containers, roosters en bakken alsmede 600 x 400 mm bakplaten (allen niet meegeleverd) op 3 niveaus.

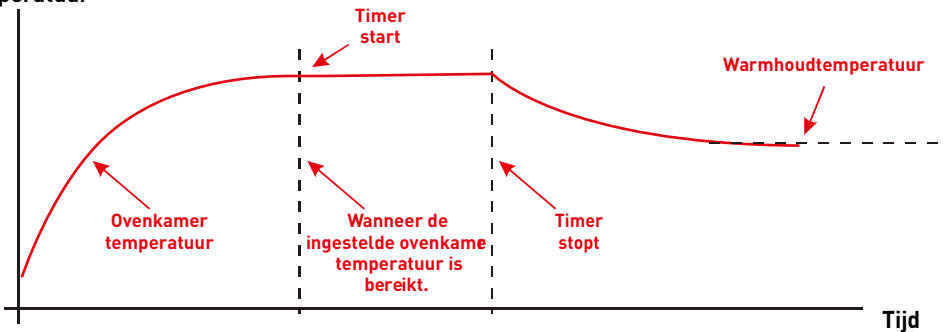
U kunt voedsel op twee verschillende manieren bereiden:

A. Met de timer

U kunt de ovenkamertemperatuur, timer en warmhoudtemperatuur instellen. De oven begint dan te verwarmen totdat de huidige ovenkamertemperatuur de ingestelde ovenkamertemperatuur heeft behaald. Op dat moment begint de timer af te tellen (1 signaal klinkt). Zodra het aftellen van

de timer is afgerond (3 signalen klinken), zal de oven overgaan in de warmhoudstand. De ovenkamertemperatuur zal langzaam dalen totdat het de warmhoudtemperatuur heeft bereikt en houdt deze stabiel (warmhoudstand).

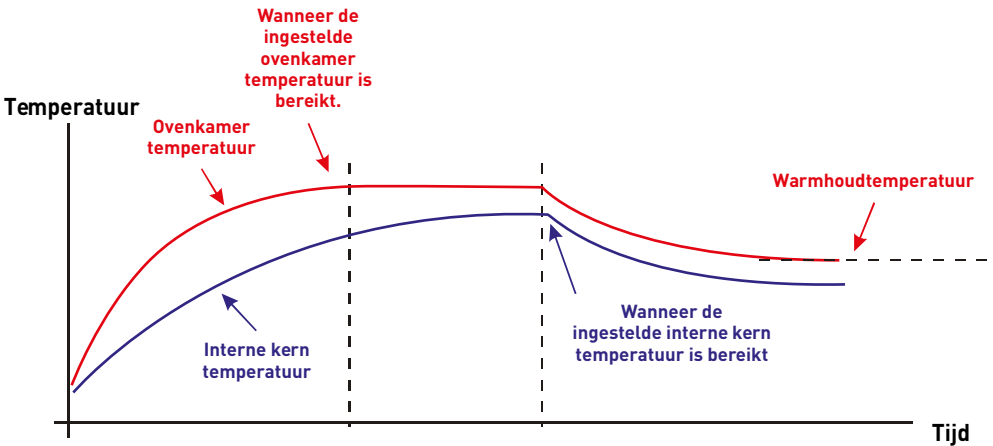
Temperatuur



B. Bakken met de kerntemperatuurmeting

U kunt de kamertemperatuur, interne voedseltemperatuur en warmhoudtemperatuur instellen. De oven begint te verwarmen tot de WERKELIJKE kamertemperatuur de VOORAF INGESTELDE kamertemperatuur bereikt. Vervolgens houdt de oven de kamertemperatuur stabiel tot de WERKELIJKE

interne kerntemperatuur de VOORAF INGESTELDE interne kerntemperatuur bereikt. De oven laat de kamertemperatuur daarna langzaam zakken tot de warmhoudtemperatuur is bereikt en houdt deze temperatuur in stand (warmhoudstand).
Opmerking: er is in dit geval geen timerfunctie.



Pauze

Wanneer de oven in gebruik is, kan een pauze worden ingesteld door op de knop Start/Pauze te drukken (K5). Door nogmaals op de Start/Pauze

(K5) knop te drukken zal de oven weer verder gaan (met ongewijzigde temperatuurinstellingen).

Aan-/uitknop

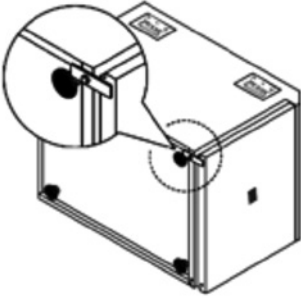
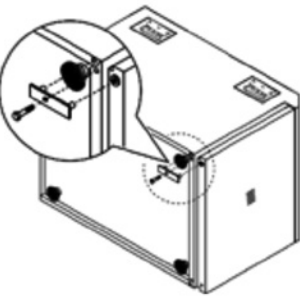
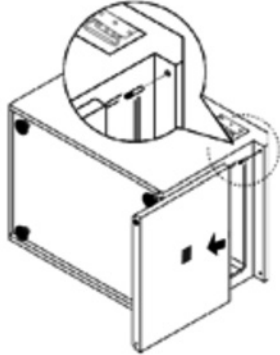
Als de oven in de bedrijfsstand of warmhoudstand staat, kunt u de oven uitschakelen door op de standbyknop K1 te drukken (de oven staat nu in de standbystand). Het stroomindicatielampje L1 brandt nog steeds, maar alle andere indica-

tielampjes, L2 tot L5, zijn uit. Uitschakelen: zet de groene AAN/UIT-knop op de achterkant in de stand "0". Indien niet aanwezig, trek de stekker uit het stopcontact.

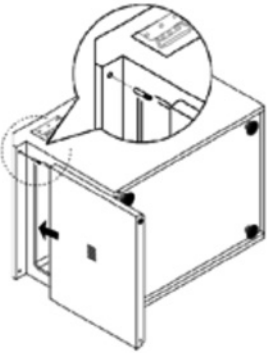
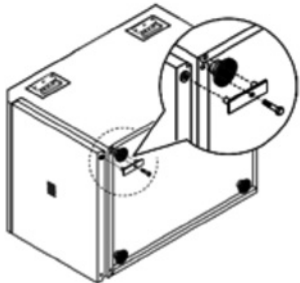


Omwisselen van de deur (indien gewenst)

Het is mogelijk de deur om te wisselen. Volg hiervoor de volgende instructies:

Stap 1	Stap 2	Stap 3
		
<ul style="list-style-type: none">• Schakel het apparaat uit en trek het snoer uit de wandcontactdoos.• Wacht totdat het apparaat volledig is afgekoeld.• Verwijder eventueel aanwezige voedselbakken uit de ovenkamer.• Leg het apparaat op de zijkant zo dat het scharnier van de deur zich aan de bovenkant bevindt.	<ul style="list-style-type: none">• Gebruik een platte schroevendraaier om de schroef los te schroeven en verwijder de deurscharnieren.	<ul style="list-style-type: none">• Verwijder de deur• Gebruik een platte schroevendraaier om de bout aan de bovenkant van de deur te verwijderen en draai de bout om.

NL

Stap 4	Stap 5
	
<ul style="list-style-type: none">• Leg het apparaat op de zijkant aan de andere kant.• Zet de deur er weer op.	<ul style="list-style-type: none">• Schroef het scharnier weer vast.• Zet de oven in horizontale positie en sluit de stroom weer aan.

Problemen oplossen en foutcodes:

Als het apparaat niet naar behoren werkt, kijk dan in de onderstaande tabel voor een oplossing. Als u het probleem niet zelf kunt oplossen, neem dan contact op met de leverancier/dienstverlener.

Storing	Mogelijke oorzaak	Mogelijke oplossing
Het apparaat doet niets	Geen stroom op het wandcontactdoos.	Controleer de zekering
	Groene aan/uit-knop op de achterkant	Schakel de oven in door de groene aan/uit-knop op de achterkant in de stand "I" te zetten
	De stekker zit niet (correct) in de wandcontactdoos.	Controleer de stekker
Het apparaat haalt de ingesteld temperatuur niet.	Verwarmingselement defect	Neem contact op met de leverancier
	Regeleenheid defect	Neem contact op met de leverancier
	Zekering verwarmingselement defect	Neem contact op met de leverancier

Wanneer de temperatuursensoren of de temperatuur in de oven niet goed werkt, kan het bedieningspaneel D1 een van de volgende foutcodes tonen.

Foutcode	Mogelijke fout(en)	Mogelijke oplossing
501	Ovenkamertemperatuur sensor (NTC) defect	Neem contact op met de leverancier
	Ovenkamertemperatuur is hoger dan 152°C of lager dan -30°C	Wacht tot de ovenkamertemperatuur weer normaal is.
502	Kerntemperatuur sonde (NTC) defect	Neem contact op met de leverancier
	Kerntemperatuur is hoger dan 158°C of lager dan -15°C	Wacht tot de kerntemperatuur weer normaal is.

NL

Reiniging en onderhoud

- Trek voordat u het apparaat schoonmaakt altijd eerst de stekker uit het stopcontact .
- Let op: Nooit het apparaat in water of een andere vloeistof onderdompelen!
- De buitenkant maakt u schoon met een vochtig doekje (water met mild reinigingsmiddel).
- Gebruik nooit agressieve schoonmaakmiddelen

of schuurmiddelen. Geen scherpe en puntige voorwerpen gebruiken. Geen benzine of oplosmiddelen gebruiken! Schoonmaken met een vochtige doek en eventueel afwasmiddel. Geen schurende materialen gebruiken.

- Reinig de eventueel aanwezige ventilatieopeningen met de stofzuiger.

Technische specificaties

Itemnr.: 225479

Bedrijfsspanning en frequentie: 220-240V- 50/60Hz

Nominaal ingangsvermogen: 1200W

Kamertemperatuurbereik: 30 tot 120°C (met instelstappen van 1°C)

Beschermingsklasse: klasse I

Beschermingsklasse waterdichtheid: IPX3

Afmetingen: 495x690x(H)415 mm

Nettogewicht: ca. 27kg

Opmerking: Technische specificaties onderhevig aan verandering zonder voorafgaande kennisgeving



Garantie

Elk defect waardoor de werking van het apparaat nadelig wordt beïnvloed dat zich binnen één jaar na aankoop van het apparaat voordoet, wordt gratis hersteld door reparatie of vervanging, mits het apparaat conform de instructies is gebruikt en onderhouden en niet op enigertei wijze verkeerd is behandeld of misbruikt. Dit laat onverlet uw bij wet bepaalde rechten. Als de garantie van kracht

is, vermeld dan waar en wanneer u het apparaat hebt gekocht en sluit een aankoopbewijs bij (bijv. kassabon of factuur).

Gezien ons streven naar voortdurende verdere productontwikkeling behouden wij ons het recht voor, zonder voorafgaande kennisgeving wijzigingen aan te brengen aan product, verpakking en documentatie.

Verwijdering & milieu

Bij de buitengebruikstelling van het apparaat, mag het niet met het overige huisafval worden verwijderd. In plaats daarvan is het uw verantwoordelijkheid om uw afgedankte apparatuur in te leveren bij een daartoe aangewezen inzamelpunt. Het niet opvolgen van deze regel kan worden bestraft in overeenstemming met de geldende voorschriften voor afvalverwerking. De gescheiden inzameling en recycling van uw afgedankte apparatuur ten tijde van buitengebruikstelling helpt bij de instand-

houding van natuurlijke hulpbronnen en waarborgt dat de apparatuur wordt gerecycled op een manier die de volksgezondheid en het milieu beschermt. Voor meer informatie over waar u uw afval kunt inleveren voor recycling kunt u contact opnemen met uw lokale afvalverwerkingsbedrijf. De fabrikant en importeurs nemen geen verantwoordelijkheid voor de recycling, behandeling en ecologische verwijdering, hetzij rechtstreeks of via een openbaar systeem.

Szanowny Kliencie,

Dziękujemy za zakup urządzenia firmy Hendi. Prosimy o uważne zapoznanie się z niniejszą instrukcją przed podłączeniem urządzenia, aby uniknąć uszkodzeń spowodowanych niewłaściwą obsługą. Należy zwrócić szczególną uwagę na zasady bezpieczeństwa.

Zasady bezpieczeństwa



- Nieprawidłowa obsługa i niewłaściwe użytkowanie mogą spowodować poważne uszkodzenie urządzenia lub zranienie osób.
- Niniejsze urządzenie przeznaczone jest do użytku komercyjnego.
- Urządzenie należy stosować wyłącznie zgodnie z przeznaczeniem. Producent nie ponosi żadnej odpowiedzialności za szkody spowodowane nieprawidłową obsługą i niewłaściwym użytkowaniem urządzenia.
- W czasie użytkowania zabezpiecz urządzenie i wtyczkę kabla zasilającego przed kontaktem z wodą lub innymi płynami. W mało prawdopodobnym przypadku zanurzenia urządzenia w wodzie, należy natychmiast wyciągnąć wtyczkę z kontaktu, a następnie zlecić kontrolę urządzenia specjalście. Nieprzestrzeganie tej instrukcji może spowodować zagrożenie życia.
- Nigdy nie otwieraj samodzielnie obudowy urządzenia.
- Nie wtykaj żadnych przedmiotów w obudowę urządzenia.
- Nie dotykaj wtyczki kabla zasilającego wilgotnymi rękami.
- ⚠ **Niebezpieczeństwo porażenia prądem!** Nie należy samodzielnie naprawiać urządzenia. Wszelkie usterki i niesprawności winny być usuwane wyłącznie przez wykwalifikowany personel.
- **Nigdy nie używać uszkodzonego urządzenia!** Uszkodzone urządzenie należy odłączyć od sieci i skontaktować się ze sprzedawcą.
- **Ostrzeżenie:** Nie zanurzać części elektrycznych urządzenia w wodzie ani w innych płynach. Nie wkładać urządzenia pod bieżącą wodę.
- Regularnie sprawdzać wtyczkę i sznur zasilający pod kątem uszkodzeń. Uszkodzoną wtyczkę lub sznur przekazać w celu naprawy do punktu serwisowego lub innej wykwalifikowanej osoby, aby zapobiec ewentualnym zagrożeniom i obrażeniom ciała.
- Upewnić się, czy sznur zasilający nie styka się z ostrymi ani gorącymi przedmiotami; trzymać sznur z dala od otwartego płomienia. Aby wyjąć wtyczkę z gniazdka, zawsze ciągnąć za wtyczkę, a nie za sznur.
- Zabezpieczyć sznur zasilający (lub przedłużający) przez przypadkowym wyciągnięciem z kontaktu. Sznur prowadzić w sposób uniemożliwiający przypadkowe potknięcie.
- Stale nadzorować urządzenie podczas użytkowania.
- **Ostrzeżenie!** Jeżeli wtyczka jest włożona do gniazdka, urządzenie należy uważać za podłączone do zasilania.
- Przed wyjęciem wtyczki z gniazdka wyłączyć urządzenie!
- Nigdy nie przenosić urządzenia, trzymając za sznur.
- Nie używać żadnych akcesoriów, które nie zostały dostarczone wraz z urządzeniem.

PL



- Urządzenie należy podłączać wyłącznie do gniazdka o napięciu i częstotliwości podanych na tabliczce znamionowej.
- Włożyć wtyczkę do gniazdka zlokalizowanego w dogodnym łatwo dostępnym miejscu, tak by w przypadku awarii istniała możliwość natychmiastowego odłączenia urządzenia. W celu całkowitego wyłączenia urządzenia odłączyć je od źródła zasilania. W tym celu wyjąć z gniazdka wtyczkę znajdującą się na końcu sznura odłączanego urządzenia.
- Przed odłączeniem wtyczki zawsze pamiętać o wyłączeniu urządzenia!
- Nie korzystać z akcesoriów niezalecanych przez producenta. Zastosowanie niezalecanych akcesoriów może stwarzać zagrożenie dla użytkownika oraz prowadzić do uszkodzenia urządzenia. Korzystać wyłącznie z oryginalnych części i akcesoriów.
- Z urządzenia nie mogą korzystać osoby (także dzieci), u których stwierdzono osłabione zdolności fizyczne, sensoryczne lub umysłowe, albo którym brakuje odpowiedniej wiedzy i doświadczenia.
- W żadnym wypadku nie zezwalać na obsługę urządzenia przez dzieci.
- Urządzenie wraz ze sznurem przechowywać poza zasięgiem dzieci.
- Nie dopuścić, by dzieci wykorzystywały urządzenie do zabawy.
- Zawsze odłączyć urządzenie od zasilania, jeżeli ma być ono pozostawione bez nadzoru, a także przed montażem, demontażem i czyszczeniem.
- Nie zostawiać urządzenia bez nadzoru podczas użytkowania.

Szczególne przepisy bezpieczeństwa

- Korzystaj z urządzenia wyłącznie zgodnie z instrukcją. Wyłącznie do użytku wewnętrznego.
- Urządzenie powinno być obsługiwane oraz zamontowane wyłącznie przez przeszkolony personel zaplecza kuchennego restauracji, stołówek lub obsługę baru, itp.
-  **Uwaga! Gorąca powierzchnia!** Podczas pracy urządzenia jego zewnętrzne powierzchnie nagrzewają się do wysokich temperatur.
-  Z tyłu urządzenia znajduje się gniazdo ekwipotencjalne umożliwiające podłączenie krzyżowe do innego urządzenia.
- Trzymaj urządzenie z dala od jakichkolwiek gorących powierzchni lub otwartego płomienia. Ustaw urządzenie na równej, stabilnej, czystej i suchej powierzchni, odpornej na działanie wysokich temperatur.
- Nie używaj urządzenia w pobliżu materiałów wybuchowych lub łatwopalnych, kart płatniczych, dysków magnetycznych lub radioodbiorników.
- Urządzenie nie jest przystosowane do obsługi za pomocą zewnętrznego minutnika lub oddzielnego systemu zdalnego sterowania.
- **OSTRZEŻENIE:** Nie zasłaniaj otworów wentylacyjnych urządzenia.
- Zapewnij co najmniej 15-centymetrową przestrzeń wokół urządzenia, celem zapewnienia odpowiedniej wentylacji podczas użytkowania.
- Nie myj urządzenia wodą lub za pomocą silnego strumienia. Mycie urządzenia wodą może spowodować przedostanie się jej do części elektrycznych i doprowadzić do porażenia prądem.

- Nie czyść ani nie umieszczaj urządzenia w miejscu przechowywania, zanim całkowicie nie ostygnie.
- Zachowaj szczególną ostrożność podczas przenoszenia urządzenia ze względu na jego ciężar. Urządzenie powinno być przenoszone przez 2 osoby lub przemieszczane za pomocą wózka. Przenoś urządzenie powoli i ostrożnie, nie przechylając go bardziej niż pod kątem 45°.
- Nie przenoś urządzenia podczas eksploatacji.

Przeznaczenie

- Urządzenie przeznaczone jest do zastosowania profesjonalnego.
- Urządzenie przeznaczone jest do powolnego przygotowywania oraz podgrzewania żywności w dokładnie kontrolowanym procesie. Użycie urządzenia w jakimkolwiek innym celu może prowadzić do jego uszkodzenia lub do obrażeń ciała.
- Wykorzystanie urządzenia w jakimkolwiek innym celu uznane będzie za wykorzystanie niezgodne z przeznaczeniem. Użytkownik będzie wyłącznie odpowiedzialny za nieprawidłowe wykorzystanie urządzenia.

Montaż uziemienia

Mikser jest urządzeniem I klasy ochronności i wymaga uziemienia. Uziemienie zmniejsza ryzyko porażenia prądem, dzięki zastosowaniu przewodu odprowadzającego prąd elektryczny. Urządzenie

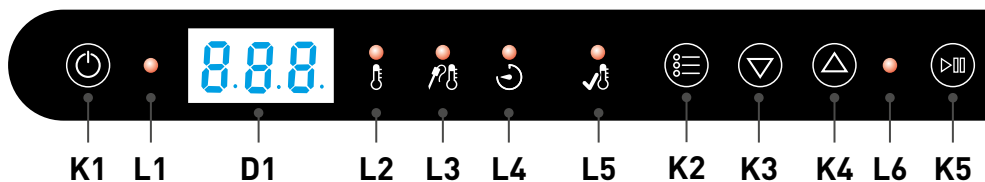
wyposażone jest w przewód z uziemieniem z wtykiem uziemiającym. Wtyczka musi zostać podłączona do gniazdka sieciowego, które zostało odpowiednio zamontowane i uziemione.

Przygotowanie przed pierwszym użyciem

- Sprawdzić, czy urządzenie nie jest uszkodzone. W przypadku jakichkolwiek uszkodzeń należy niezwłocznie skontaktować się ze swoim dostawcą i do tego czasu NIE korzystać z urządzenia.
 - Zdjąć całe opakowanie i folię ochronną (o ile dotyczy).
 - Wyczyścić urządzenie przy pomocy letniej wody i miękkiej szmatki.
 - O ile nie zalecono inaczej, ustawić urządzenie na płaskim i stabilnym podłożu.
 - Zapewnić wystarczającą przestrzeń wokół urządzenia, aby umożliwić wentylację urządzenia.
 - Należy ustawić urządzenie tak, aby mieć zawsze dobry dostęp do wtyczki.
 - Ustaw najwyższą temperaturę grzania w komorze i pozostaw uruchomione przez ok. godzinę.
- Uwaga: Ze względu na pozostałości z procesu produkcyjnego, z urządzenia może wydobywać się nieprzyjemny zapach. Jest to zjawisko normalne i nie świadczy o uszkodzeniu urządzenia ani zagrożeniu dla użytkownika. Upewnij się, czy urządzenie jest dobrze wentylowane.**
- ⇒ **Zawsze postępuj, według przepisów HACCP.**



Panel sterowania



	Zielony przelącznik ON/OFF znajdujący się z tytu urządzenia
K1	Przycisk gotowości
K2	Przycisk wyboru funkcji
K3	Zmniejszenie wartości temperatury / czasu (TEMP/TIME)
K4	Zwiększenie wartości temperatury / czasu (TEMP/TIME)
K5	Przycisk start/pauza
D1	Wyświetlacz cyfrowy
L1	Kontrolka zasilania
L2	Kontrolka temperatury komory
L3	Lampka sygnalizująca wewnętrzną temperaturę żywności (za wykorzystaniem dotychczasowej do urządzenia sondy temperatury)
L4	Kontrolka zegara
L5	Kontrolka podtrzymania temperatury komory
L6	Kontrolka trybu pracy urządzenia

PL

Uruchomienie

Podłącz wtyczkę do odpowiedniego gniazdka elektrycznego i wciśnij zielony przelącznik ON/OFF znajdujący się z tytu urządzenia, ustawiając go w położeniu „I”. Wciśnij przycisk stanu czuwania (Standby) (K1).

- Zostanie wyemitowany pojedynczy dźwięk, następnie wszystkie kontrolki (od L1 do L5) oraz wyświetlacz D1 zostaną włączone na 0,5 sekundy. Po tym włączona zostanie kontrolka L1, wskazując, że piec jest gotowy do pracy (w trybie gotowości).

Wybór funkcji

- Gdy piec jest w trybie gotowości, za pomocą przycisku wyboru (K2) można wybrać dowolną funkcję. Wówczas zostaną zapalone odpowiednio kontrolki L2, L3, L4 i L5, wskazując wybraną funkcję.
 - o L2 → regulacja temperatury komory
 - o L3 → regulacja temperatury rejestrowanej przez sondę.
 - o L4 → regulacja zegara.
 - o L5 → regulacja temperatury podtrzymania.
- Wartość temperatury można zmienić za pomocą przycisków K3 i K4.
- Można także zmienić ustawienia, gdy piec jest w trybie roboczym, naciskając przycisk wyboru (K2) i zmieniając wartości za pomocą przycisków K3 i K4. Po zmianie wartości piec będzie kontynuować pracę (w trybie roboczym).

- Za każdym razem po wciśnięciu przycisku czuwania (K1) wszystkie poprzednie ustawienia (komora, sonda, podtrzymywana temperatura) zostaną zresetowane. Piec znajduje się ponownie w stanie czuwania.

UWAGA: W przypadku wybrania nieprawidłowych wartości gdy piec jest w trybie gotowości (na przykład jeśli ustawiono temperaturę komory na niższą niż temperatura otoczenia lub ZEGAR został ustawiony na 000), sygnał dźwiękowy zostanie wyemitowany 6 razy po naciśnięciu przycisku start/pauza (K5). Następnie urządzenie przelączy się w tryb podtrzymania.



Zakres wartości

- temperatura komory (L2): 30 – 120°C
- wewnętrzna temperatura żywności (L3): Do 100 °C (pod warunkiem, że wewnętrzna temperatura żywności jest niższa niż temperatura w komorze)

- zegar (L4): 0 – 60 godzin
- Podtrzymywana temperatura (L5): Do 100 °C (pod warunkiem, że podtrzymywana temperatura jest niższa niż temperatura w komorze)

Obsługa

- Aby uruchomić urządzenie, gdy jest ono w stanie gotowości, naciśnij przycisk start/pauza (K5). Zostanie zapalona kontrolka trybu pracy (L6) i kontrolka temperatury komory (L5). Po 4,5 sekundy wyświetlacz (D1) wskazywać będzie zamiennie zadaną temperaturę (PRESET) oraz rzeczywistą temperaturę komory (piec w trybie działania).
- W trakcie działania urządzenia można zmienić jego ustawienia, naciskając przycisk wyboru (K2), a następnie zmienić wartości za pomocą przycisków K3 i K4. Po zmianie wartości piec będzie kontynuował pracę.
- Urządzenie wyposażone jest w 2 otwory wentyla-

cyjne – jeden znajduje się na drzwiczkach, drugi z tyłu urządzenia. Służą one do regulowania wilgotności w komorze pieca. Można je zamknąć za pomocą zintegrowanych przesłon. Ogólna zasada: aby zachować wilgoć żywności, należy zamknąć otwory. Jeśli potrawa ma być chrupiąca, należy je zamknąć. Skutkuje to utratą wilgoci. Najlepsze wyniki pieczenia można osiągnąć sprawdzając poszczególne ustawienia pieca.

Uwaga: Prowadnica ze stali nierdzewnej pasuje do pojemników GN 1/1, rusztów oraz blach o wymiarach 600x400 mm (niedołączone do urządzenia) na trzech poziomach.

Żywność można przygotowywać na dwa różne sposoby:

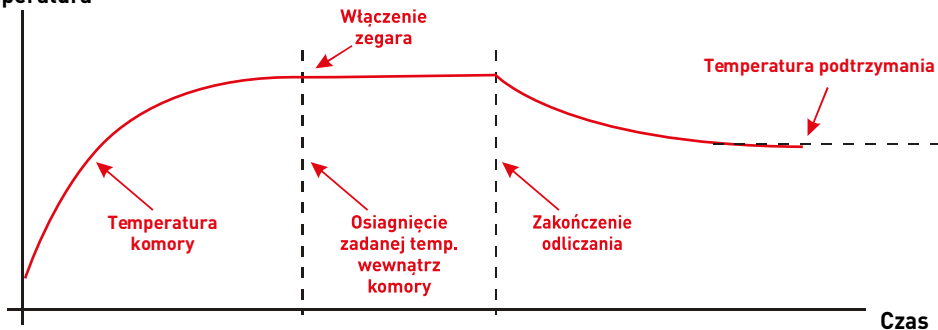
A. Pieczenie z użyciem zegara

Można ustawić temperaturę komory, zegar i temperaturę podtrzymania. Piec rozpocznie nagrzewanie komory do momentu, w którym RZECZYWISTA temperatura komory osiągnie ZADANĄ wartość. W tym momencie zegar rozpocznie odliczanie (usłyszysz pojedynczy dźwięk.). Po zakończeniu odli-

czania piec przetączy się w tryb podtrzymania (3 usłyszysz potrójny dźwięk). Nastąpi lekki spadek temperatury do temperatury podtrzymania i piec będzie utrzymywać zadany poziom temperatury (tryb podtrzymania).

PL

Temperatura

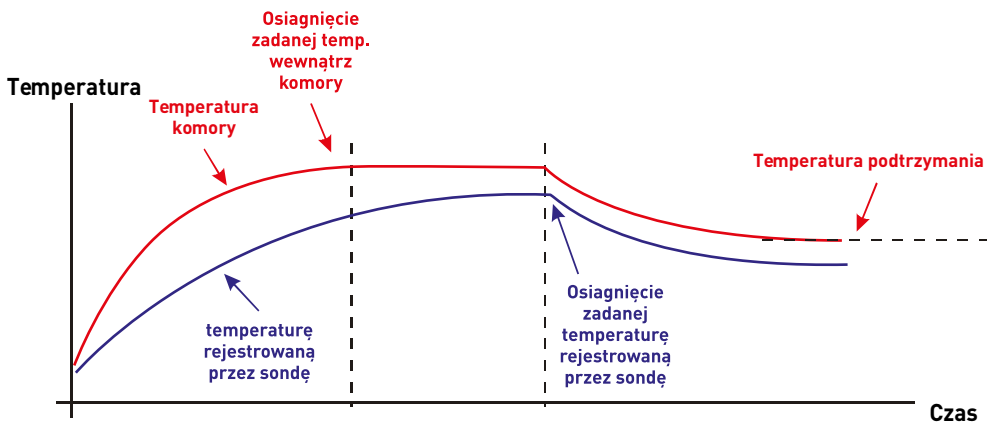


B. Pieczenie z użyciem sondy

Użytkownik może ustawić temperaturę komory pieczenia, wymaganą wewnętrzną temperaturę żywności oraz temperaturę podtrzymywaną. Piec nagrzewa się do momentu, aż RZECZYWISTA temperatura w komorze osiągnie temperaturę ZDEFINIOWANĄ. Piec podtrzymuje temperaturę komory do momentu, aż RZECZYWISTA temperatura we-

wnętrza żywności osiągnie wartość ZDEFINIOWANĄ. Następnie piec będzie powoli obniżał temperaturę komory do momentu uzyskania temperatury podtrzymywanej i taką wartość utrzyma (tryb podtrzymywania temperatury).

Uwaga: w tym trybie nie można ustawić timera.



PL

Pauza

W trakcie pracy pieca, wciśnięcie przycisku "start/pause" (k5) spowoduje zatrzymanie pieca, aby

wznowić prace pieca należy wcisnąć "start/pause" ponownie.

Wyłączenie urządzenia

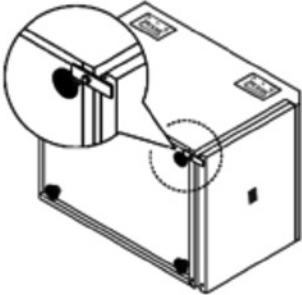
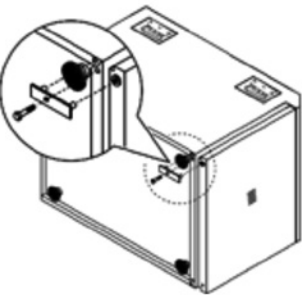
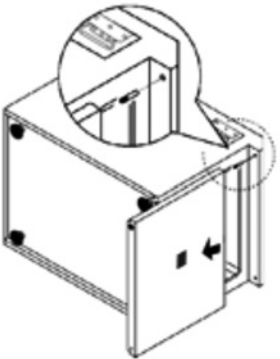
Kiedy piec znajduje się w trybie pracy lub w trybie podtrzymywania temperatury, użytkownik może wyłączyć piec wciskając przycisk czuwania K1 (piec przejdzie w stan czuwania). Lampka sygnalizująca podłączenie urządzenia do źródła zasilania L1 bę-

dzie nadal podświetlona, ale lampki L2 - L5 zgasną. Wyłączenie urządzenia: ustaw przełącznik ON / OFF znajdujący się z tyłu urządzenia w położeniu „0”. Jeśli urządzenie nie posiada przełącznika ON / OFF, wyjmij wtyczkę z gniazdka.

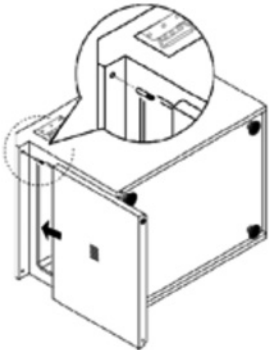
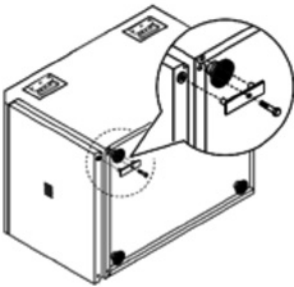


Zmiana kierunku otwierania drzwiczek

Istnieje możliwość przełożenia drzwiczek pieca na drugą stronę. Aby odwrócić drzwiczki, należy postępować zgodnie z poniższą instrukcją.

Krok 1	Krok 2	Krok 3
		
<ul style="list-style-type: none">• Wytączyć urządzenie i odłączyć od źródła zasilania• Odczekać, aż urządzenie ostygnie• Wyjąć pojemniki na żywność z komory pieca• Potożyć urządzenie na boku, zawiasami do góry	<ul style="list-style-type: none">• Za pomocą płaskiego śrubokręta odkręcić śruby i zdjąć zawiasy drzwiczek	<ul style="list-style-type: none">• Zdjąć drzwiczki• Za pomocą płaskiego śrubokręta odkręcić śrubę na górnej części ramy drzwiczek i przełożyć śrubę na drugą stronę

PL

Krok 4	Krok 5
	
<ul style="list-style-type: none">• Potożyć urządzenie na drugi bok• Zamontować drzwiczki	<ul style="list-style-type: none">• Przykręcić zawias• Ustawić piec na nóżkach i podłączyć do zasilania



Rozwiązywanie problemów i kody błędów:

Jeśli urządzenie nie działa prawidłowo, zapoznaj się z poniższą tabelą w celu znalezienia prawidłowego rozwiązania. Jeśli nie możesz rozwiązać problemu, skontaktuj się z dostawcą.

Usterka	Możliwa przyczyna	Możliwe rozwiązanie
Urządzenie nie działa	Brak zasilania w gniazdku	Sprawdzić bezpiecznik
	Zielony przełącznik ON/OFF znajdujący się z tyłu urządzenia	Ustaw zielony przełącznik ON/OFF znajdujący się z tyłu urządzenia w położeniu „I”
	Wtyczka nie jest (poprawnie) podłączona do źródła zasilania	Sprawdzić wtyczkę
Urządzenie nie osiąga zadanej temperatury	Uszkodzenie elementu grzewczego	Skontaktować się z dostawcą
	Uszkodzenie jednostki sterującej	Skontaktować się z dostawcą
	Uszkodzenie bezpiecznika elementu grzewczego	Skontaktować się z dostawcą

Jeśli czujniki temperatury nie działają poprawnie lub temperatura pieca nie jest odpowiednia, na wyświetlaczu cyfrowym (D1) może zostać wyświetlony jeden z następujących kodów błędów.

Kod błędu	Możliwa usterka	Możliwe rozwiązanie
501	Zwarcie lub uszkodzenie czujnika temperatury komory (NTC)	Skontaktować się z dostawcą
	temperatura komory jest wyższa niż 152°C lub niższa niż -30°C	Odczekać, aż temperatura powróci do stanu normalnego
502	Zwarcie lub otwarcie czujnika temperatury rejestrowanej przez sondę (NTC)	Skontaktować się z dostawcą
	Temperatura rejestrowana przez sondę przekracza 158°C lub jest niższa niż -15°C	Odczekać, aż temperatura rejestrowana przez sondę powróci do stanu normalnego

Czyszczenie i konserwacja

- Przed umyciem zawsze wyłącz urządzenie z prądu.
- Uwaga: Nigdy nie zanurzaj urządzenia w wodzie lub w innym płynie!
- Umyj zewnętrzną stronę przy pomocy wilgotnej szmatki (użyj roztworu wody i łagodnego środka czyszczącego).
- Nigdy nie używaj żrących środków czyszczących ani materiałów ściernych. Nie używaj ostrych przedmiotów. Nie używaj benzyny ani rozpuszczalników. Czyść urządzenie wilgotną szmatką oraz ewentualnie płynem do mycia naczyń. Nie stosuj żadnych materiałów ściernych.
- Wyczyść otwory wentylacyjne przy pomocy odkurzacza.

Specyfikacja techniczna

Nr produktu: 225479

Napięcie robocze i częstotliwość: 220-240V- 50/60Hz

Znamionowy pobór mocy: 1200W

Zakres temperatury wewnątrz komory:

od 30 do 120°C [możliwość ustawienia co 1°C]

Stopień ochrony: klasa I

Klasa wodoodporności: IPX3

Wymiary: 495x690x(wys.)1415 mm

Waga netto: ok. 27 kg

Uwaga: Specyfikacja techniczna może ulec zmianie bez uprzedzenia.



Gwarancja

Każda wada bądź usterka powodująca niewłaściwe funkcjonowanie urządzenia, która ujawni się w ciągu jednego roku od daty zakupu, zostanie bezpłatnie usunięta lub urządzenie zostanie wymienione na nowe, o ile było użytkowane i konserwowane zgodnie z instrukcją obsługi i nie było wykorzystywane w niewłaściwy sposób lub niezgodnie z przeznaczeniem. Postanowienie to w żadnej mierze nie narusza innych praw użytkownika wynikających z przepisów prawa. W przypadku zgłoszenia urzą-

dzenia do naprawy lub wymiany w ramach gwarancji należy podać miejsce i datę zakupu urządzenia i dołączyć dowód zakupu (np. paragon).

Zgodnie z naszą polityką ciągłego doskonalenia wyrobów zastrzegamy sobie prawo do wprowadzania bez uprzedzenia zmian w wyrobie, opakowaniu oraz danych technicznych podawanych w dokumentacji.

Wycofanie z użytkowania i ochrona środowiska

Pamiętaj!

Nie wyrzucaj zużytego sprzętu łącznie z innymi odpadami

Nie demontuj zużytych urządzeń zawierających niebezpieczne składniki na własną rękę!

Grożą Ci za to kary grzywny!

Po zakończeniu eksploatacji produktu nie wolno gromadzić razem z odpadami komunalnymi, tylko należy odstawić do punktu odbioru odpadów elektrycznych i elektronicznych. Użytkownik ponosi odpowiedzialność za przekazanie wycofanego z użytkowania urządzenia do punktu gospodarowania odpadami. Nieprzestrzeganie tej zasady może być karane zgodnie z lokalnie obowiązującymi przepisami dotyczącymi gospodarowania odpadami.

Jeśli urządzenie wycofane z użytkowania jest poprawnie odebrane jako osobny odpad, może zostać przetworzone i zutylozowane w sposób przyjazny dla środowiska, co zmniejsza negatywny wpływ na środowisko i zdrowie ludzi. Aby uzyskać więcej informacji dotyczących dostępnych usług w zakresie odbioru odpadów, należy skontaktować się z lokalną firmą odbierającą odpady.



Symbol przekreślonego kosza na śmieci oznacza, że tego produktu nie wolno wyrzucać do zwykłych pojemników na odpady.

Zużyte urządzenia elektryczne i elektroniczne mogą zawierać niebezpieczne składniki np. rtęć, ołów, kadm lub freon. Jeśli tego typu substancje przedostaną się w sposób niekontrolowany do środowiska, spowodują skażenie wody i gleby, a także wptyną niekorzystnie na zdrowie ludzi i zwierząt.

Właściwe postępowanie ze zużytym sprzętem zapobiega potencjalnym negatywnym konsekwencjom dla środowiska naturalnego i ludzkiego zdrowia.


Jednocześnie oszczędzamy naturalne zasoby naszej Ziemi wykorzystując powtórnie surowce uzyskane z przetwarzania sprzętu.



Cher client,

Merci d'avoir acheté cet appareil de HENDI. Veuillez lire attentivement ce mode d'emploi avant de brancher l'appareil afin d'éviter tout endommagement pour cause d'usage abusif. Veuillez notamment lire les consignes de sécurité avec la plus grande attention.

Règles de sécurité




- L'utilisation abusive et le maniement incorrect de l'appareil peuvent entraîner une grave détérioration de l'appareil ou provoquer des blessures.
- L'appareil est destiné à un usage commercial.
- L'appareil doit être utilisé uniquement pour le but il a été conçu. Le fabricant décline toute responsabilité en cas de dommage consécutif à un usage abusif ou un maniement incorrect.
- Veillez à tenir l'appareil et la prise électrique hors de portée de l'eau ou de tout autre liquide. Si malencontreusement l'appareil tombe dans l'eau, débranchez immédiatement la prise électrique et faites contrôler l'appareil par un réparateur agréé. La non-observation de cette consigne entraîne un risque d'accident mortel.
- Ne tentez jamais de démonter vous-même le bâti de l'appareil.
- N'enfoncez aucun objet dans la carcasse de l'appareil.
- Ne touchez pas la prise avec les mains mouillées ou humides.
-  **Risque d'électrocution!** Ne tentez jamais de réparer l'appareil. Tous défauts et dysfonctionnement doivent être supprimés par le personnel qualifié.
- **N'utilisez jamais l'appareil endommagé!** Débranchez l'appareil endommagé de l'alimentation électrique et contactez votre revendeur.
- **Avertissement:** N'immergez pas les pièces électriques de l'appareil dans l'eau ou dans d'autres liquides. Ne mettez pas l'appareil sous l'eau courante.
- Vérifiez régulièrement la fiche et le câble d'alimentation pour les dommages. La fiche ou le câble d'alimentation endommagé(e) transmettent pour la réparation au service ou à une personne qualifiée, pour prévenir tous les menaces ou les blessures possibles.
- Assurez-vous que le câble d'alimentation n'est pas en contact avec les objets pointus ou chauds ; gardez le câble loin des flammes nues. Pour retirer la fiche de la prise murale, tirez toujours en tenant la fiche et non le câble d'alimentation.
- Protégez le câble d'alimentation (ou la rallonge) contre le débranchement accidentel de la prise murale. Le câble doit être posé de manière ne provoquant pas les chutes accidentelles.
- Surveillez en permanence l'appareil pendant l'utilisation.
- **Avertissement !** Si la fiche est insérée dans la prise murale, l'appareil doit être considéré comme branché à l'alimentation.
- Avant de retirer la fiche de la prise, éteignez l'appareil !
- Ne transportez jamais l'appareil en tenant le câble.
- N'utilisez aucuns accessoires qui n'ont pas été fournis avec l'appareil.
- L'appareil doit être branché à la prise murale avec une tension et la fréquence indiquées sur la plaque signalétique.

FR



- Insérez la fiche à la prise murale située dans un endroit facilement accessible de sorte qu'en cas de panne l'appareil puisse être immédiatement déconnecté. Pour éteindre complètement l'appareil, débranchez-le de la source d'alimentation. Pour cela, retirez la fiche à l'extrémité du câble d'alimentation de la prise murale.
- Eteignez l'appareil avant de débrancher l'appareil de la prise!
- N'utilisez jamais les accessoires non recommandés par le fabricant. L'utilisation des accessoires non recommandés peut présenter des risques pour l'utilisateur et provoquer les dommages à l'appareil. Utilisez uniquement des pièces et accessoires originaux.
- Cet appareil n'est pas apte à être utilisé par des personnes (enfants compris) avec capacités physiques, sensorielles ou intellectuelles diminuées ou ne possédant pas l'expérience et les connaissances suffisantes.
- Ne laissez jamais les enfants utiliser l'appareil.
- L'appareil et le câble d'alimentation doivent être stockés hors de la portée des enfants.
- Ne permettez pas aux enfants d'utiliser l'appareil pour jouer
- Débranchez toujours l'appareil de l'alimentation s'il doit être laissé sans surveillance et également avant le montage, le démontage et le nettoyage.
- Ne laissez jamais l'appareil sans surveillance lorsqu'il est utilisé.

Consignes particulières de sécurité

- Utilisez l'appareil uniquement conformément aux instructions. Uniquement à l'usage à l'intérieur.
- L'appareil doit être utilisé uniquement par du personnel qualifié de cuisine du restaurant, des cantines ou du bar etc.
-  **Attention ! Risque de brûlures!** La surface de chauffage et d'autres surfaces disponibles chauffent à des températures élevées. Ne touchez que le panneau de commande.
-  Sur la partie arrière de l'appareil il y a une prise équipotentielle qui permet  l'assemblage en croix d'un autre appareil.
- Tenez l'appareil éloigné des surfaces chaudes ou des flammes nues. Placez l'appareil sur une surface stable, propre et sèche, résistant à des températures élevées.
- N'utilisez pas à proximité de l'appareil des matériaux inflammables ou explosifs, les cartes bancaires, les disques magnétiques ou la radio.
- L'appareil n'est pas conçu pour fonctionner par l'intermédiaire d'une minuterie externe ou d'un système de contrôle à distance séparé.
- **AVERTISSEMENT:** N'obstruez pas les orifices de ventilation.
- Assurez au moins 15 cm d'espace autour de l'appareil pour garantir une ventilation adéquate.
- Ne nettoyez pas l'appareil à l'aide d'un jet d'eau direct ou un nettoyeur à vapeur, ne rincez pas à l'eau pour ne pas humidifier ou mouiller les pièces à l'intérieur de l'appareil et éviter le risque d'un choc électrique.
- Avant de nettoyer et stocker l'appareil, attendez jusqu'à ce qu'il refroidisse complètement.



- Soyez prudent pendant le transport de l'appareil en raison de son poids. L'appareil doit être transporté par deux personnes ou à l'aide d'un chariot. Transportez l'appareil avec précaution et lentement, sans l'incliner à un angle supérieur à 45°.
- Ne transportez pas l'appareil pendant le fonctionnement.

Destination de l'appareil

- L'appareil est destiné à un usage professionnel.
- Cet appareil est conçu pour la cuisson à basse température ou la remise en température par un processus contrôlé. L'utilisation de l'appareil pour toute autre fin peut entraîner des dommages à l'appareil ou des blessures.
- L'utilisation de l'appareil à d'autres fins sera considérée comme une utilisation inappropriée. L'utilisateur sera seul responsable de l'utilisation incorrecte de l'appareil.

Mise à la terre

Le batteur mélangeur est un appareil de la 1ère classe de protection et doit être obligatoirement mis à la terre. La mise à la terre réduit le risque de choc électrique grâce à un conduit évacuant

le courant électrique. L'appareil est équipé d'un conduit avec la mise à la terre et la prise de terre. N'insérez pas la fiche à la prise murale si l'appareil n'a pas été correctement installé et mis à la terre.

Préparation avant la première utilisation

- Assurez-vous que l'appareil est intact. S'il est endommagé, contactez immédiatement votre fournisseur et N'UTILISEZ PAS l'appareil.
- Enlevez tout le matériel d'emballage et le feuil de protection éventuellement existant.
- Nettoyez l'appareil avec de l'eau tiède et un chiffon doux.
- Mettez l'appareil dans une position horizontale et sur un fondement stable à moins qu'il ne soit indiqué autrement.
- En ce qui concerne des appareils aux fentes de ventilation, veillez à ce qu'il reste assez d'espace autour de l'appareil pour l'évacuation de la chaleur.
- Installez l'appareil en veillant à ce que la prise

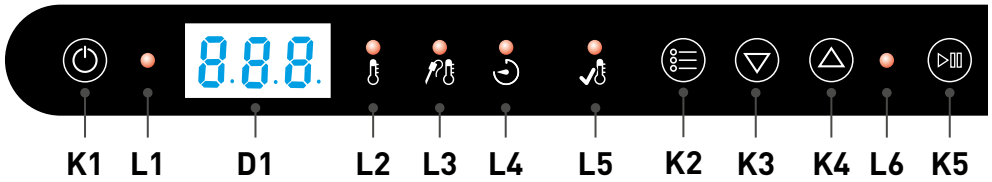
de courant demeure accessible à tout moment.

- Réglez la température de chauffage la plus élevée dans la chambre et laissez l'appareil allumé pendant environ une heure.

Attention : En raison des résidus de production, l'appareil peut émettre une faible odeur caractéristique au début du fonctionnement. Ce phénomène est tout à fait normal et ne signifie pas un mauvais fonctionnement ou le fonctionnement dangereux. Assurez-vous que l'appareil est bien ventilé.

⇒ **S'il vous plaît respectez toujours les normes HACCP.**

Panneau de con



	L'interrupteur vert ON/OFF qui se trouve à l'arrière de l'appareil
K1	Bouton standby
K2	Bouton de sélection de fonction
K3	Diminution de la température/ du temps (TEMP/TIME)
K4	Augmentation de la température / du temps (TEMP/TIME)
K5	Bouton start / pause
D1	Affichage numérique
L1	Témoin d'alimentation
L2	Chambre voyant de température
L3	Voyant indiquant la température interne des aliments (en utilisant la sonde de température fournie)
L4	Témoin minuterie
L5	Voyant maintien de température
L6	Voyant de fonctionnement

FR

Démarrage

Connectez la fiche à une prise de courant appropriée et appuyez sur l'interrupteur vert ON/OFF à l'arrière de l'appareil, en le réglant sur la position „I“. Appuyez sur le bouton de veille (Standby) (K1).

- Le four émet un bip une fois et puis tous les voyants, L1 à L5, et l'afficheur D1 seront actives pendant 0,5 seconde. Après cela, la lampe L1 est allumée pour indiquer que le four est prêt à fonctionner (en mode en veille).

Selection Function

- Lorsque le four est dans le mode en veille, vous pouvez choisir la fonction de "bouton de sélection" K2, et les voyants lumineux L2, L3, L4 et L5 seront allumés pour indiquer quelle fonction est choisie.
 - o L2 est activé → température de la chambre est sélectionnée pour le réglage.
 - o L3 est activé → température de base interne est sélectionnée pour le réglage.
 - o L4 est activé → minuterie est sélectionné pour le réglage.
 - o L5 est activé → température de maintien est sélectionnée pour le réglage
- Vous pouvez ensuite modifier la valeur par les boutons de réglage K3 & K4.
- Vous pouvez également modifier les valeurs de contrôle lorsque le four est en mode de fonctionnement en appuyant sur le bouton de sélection

K2 puis modifier les valeurs par les boutons de réglage K3 & K4. Après avoir changé les valeurs, le four poursuivra l'exploitation (en mode de fonctionnement de nouveau).

- Chaque fois après que vous appuyez le bouton de veille (K1) tous les réglages précédents (chambre, sonde, température maintenue) sont réinitialisés. Le four est de nouveau en mode de veille.

REMARQUE: Si les valeurs de contrôle appropriés ont été choisis lorsque le four est en mode en veille (par exemple si la température de chambre a été fixée plus basse que la température ambiante ou la minuterie a été fixé à 000), le four émet un bip 6 fois après vous appuyez sur le bouton "Démarrer / Pause" K5 et entre alors dans le mode attente.



Plage de valeurs de contrôle

- température de la chambre (L2): 30 – 120°C
- la température interne des aliments (L3) : jusqu'à 100 °C (à condition que la température interne des aliments soit inférieure à la température de la chambre)
- minuterie (L4): 0 – 60 heures
- La température maintenue (L5) : jusqu'à 100 °C (à condition que la température maintenue des aliments soit inférieure à la température de la chambre)

Opération

- Lorsque le four est dans le mode en veille, mettez l'appareil en marche en appuyant sur le "bouton Start / Pause" K5. La lumière "Opération indicateur L6 et maintien de la température Indicateur L5 lumière seront activées. Après 4,5 secondes, les D1 affichage montrera la température pré-sélectionnée et la température réelle de la chambre en alternance (le four est en mode de fonctionnement).
- Pendant le fonctionnement, changez les valeurs de contrôle en appuyant sur le bouton "Sélection" K2 puis modifiez les valeurs par "Touches de réglage du« K3 & K4. Après avoir changé les valeurs, le four continue de fonctionner.
- L'appareil dispose de 2 ouvertures de ventilation, l'un dans la porte, l'un dans le dos. Ceux-ci sont destinés à réguler l'humidité dans la chambre du four. Ils peuvent être fermés avec des curseurs intégrés. En règle générale: si l'alimentation devrait retenir l'humidité: gardez les fermés, si l'alimentation devrait être croquante/croustillante: gardez les ouverts. Cela crée la perte de l'humidité. L'expérience de l'expérimentation permettra d'obtenir les meilleurs résultats.

Attention : Le guide en acier inoxydable est adapté à des récipients GN 1/1, aux grilles et aux plateaux des dimensions 600x400 mm (non fournis à l'appareil) sur trois niveaux.

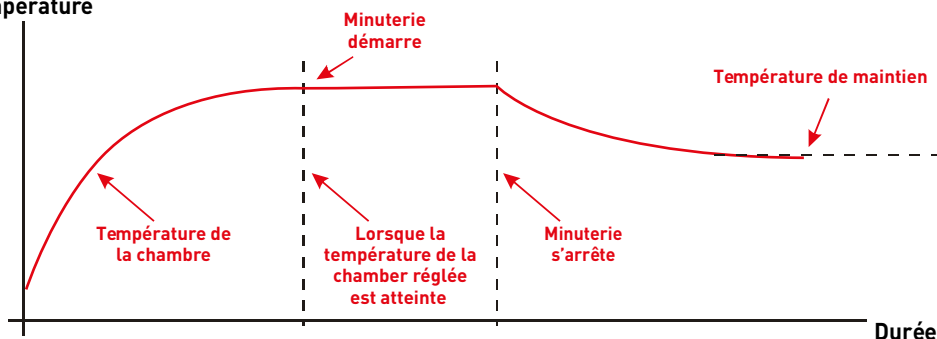
Vous pouvez faire cuire la nourriture dans deux modes de fonctionnement différents:

A. De cuisson avec minuterie

Vous pouvez régler la température de la chambre, minuterie et maintenez la température. Le four de chauffage commence à chauffer jusqu'au moment que la température actuelle de la chambre a atteint la température de la chambre pré-réglée. A ce moment, la minuterie commence à compter (un bip sonore). Lorsque le décompte minuterie a été

terminé (3 bips sonores), le four entre en mode attente. Le four diminuera lentement la température de la chambre jusqu'à ce qu'il atteigne la température de maintien et le maintient stable (Hold Mode).

Température

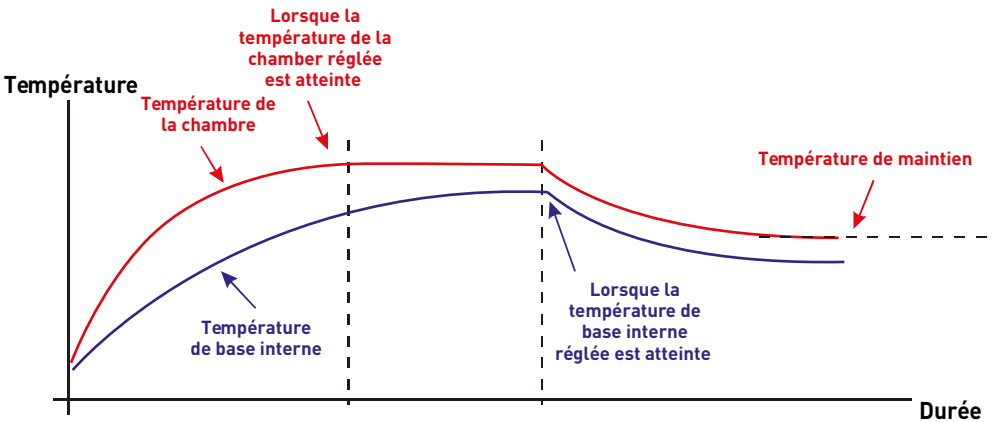


B. De cuisson avec sonde

L'utilisateur peut régler la température de la chambre de cuisson, la température interne des aliments requise et la température maintenue. Le four se réchauffe jusqu'à ce que la température REELLE dans la chambre atteigne la température PREDEFINIE. Le four maintient la température de la chambre jusqu'à ce que la température interne REELLE des aliments atteigne la valeur

PREDEFINIE. Ensuite, le four abaissera lentement la température de la chambre jusqu'à ce que la température atteigne la valeur de la température maintenue et cette température sera maintenue (mode de maintien de la température).

Attention : dans ce mode la minuterie ne peut pas être réglée.



Pause

Lorsque le four est en cours d'utilisation, une pause peut être réglée en appuyant sur le bouton Start / Pause (K5). En appuyant de nouveau sur la

touche Start / Pause (K5), le four continuera (avec réglages de température inchangés).

Débranchement

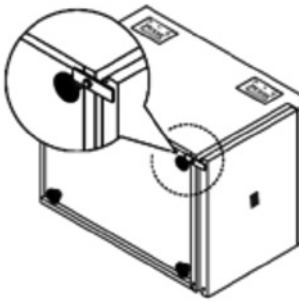
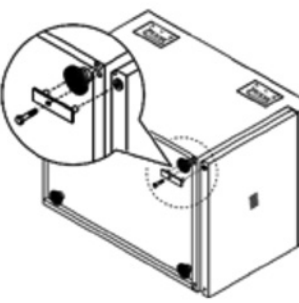
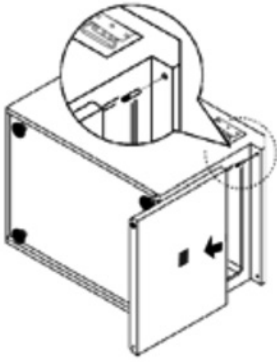
Lorsque le four est en mode de fonctionnement ou en mode de maintien de la température, l'utilisateur peut éteindre le four en appuyant le bouton de veille K1 (le four passe en mode de veille). Le voyant indiquant la connexion de l'appareil à la source d'alimentation L1 est toujours allumé, tan-

dis que les voyants L2 - L5 s'éteignent. Arrêt de l'appareil : réglez le bouton ON / OFF qui se trouve à l'arrière de l'appareil sur la position „0“. Lorsque l'appareil n'est pas équipé d'un interrupteur ON / OFF, retirez la fiche de la prise de courant.

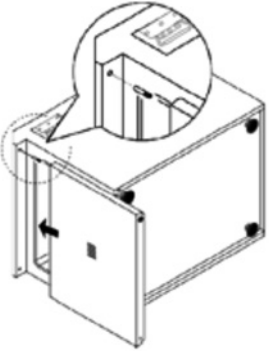
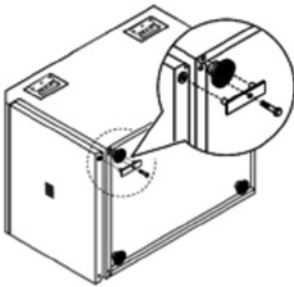


Si nécessaire inversez la porte

Il est possible d'inverser la porte en suivant les instructions suivantes

Etape 1	Etape 2	Etape 3
		
<ul style="list-style-type: none">• Éteignez et débranchez l'alimentation• Attendez que l'appareil ait refroidi• Retirez tous les plateaux de nourriture à l'intérieur de la chambre• Déposez l'appareil sur le côté de façon à ce que la charnière de la porte est sur le dessus	<ul style="list-style-type: none">• Utilisez un tournevis plat pour dévisser la vis et retirez les charnières de la porte	<ul style="list-style-type: none">• Retirez la porte• Utilisez un tournevis plat pour dévisser le boulon de la part de la porte de cadre supérieur et d'inverser la position du pêne

FR

Etape 4	Etape 5
	
<ul style="list-style-type: none">• Placez l'appareil sur l'autre côté• Remontez la porte	<ul style="list-style-type: none">• Réinstallez la charnière• Placez le four en position horizontale et reconnectez l'alimentation

Dépannage et codes d'erreur:

Si l'appareil ne fonctionne pas correctement, lisez les instructions dans le tableau ci-dessous pour trouver une bonne solution. Si vous ne pouvez pas résoudre le problème, contactez votre revendeur.

Défaut	Cause possible	Solution possible
L'appareil ne fonctionne pas	Pas d'alimentation à la prise électrique	Vérifiez le fusible
	Interrupteur vert ON/OFF à l'arrière de l'appareil	Réglez l'interrupteur ON/OFF à l'arrière de l'appareil dans la position „I”
	La fiche n'est pas branchée (correctement) dans la prise électrique	Vérifiez la fiche
L'appareil n'atteint pas la température de consigne	L'élément chauffant défectueux	Contactez le fournisseur
	Unité de contrôle défectueux	Contactez le fournisseur
	Fusible element chauffant défectueux	Contactez le fournisseur

Lorsque les capteurs de température ou la température dans le four ne fonctionne pas correctement, l'affichage numérique D1 peut montrer l'un des codes d'erreur suivants.

Code erreur	Défaut(s) possible(s)	Solution possible
501	Capteur de température de la chambre (NTC) est raccourcie ou ouverte	Contactez le fournisseur
	température de la chambre supérieure à 152°C ou inférieure à -30°C	Attendez jusqu'à ce que la température de la chambre restaure à la normale
502	Capteur de sonde de température de nourriture (NTC) est raccourci ou ouvert	Contactez le fournisseur
	Capteur de sonde de température supérieure à 158°C ou inférieure à -15°C	Attendez jusqu'à ce que la température à cœur des aliments restaure à la normale

FR

Nettoyage et entretien

- Avant de nettoyer l'appareil, débranchez toujours la prise électrique.
- Attention: Ne plongez jamais l'appareil dans de l'eau ou dans un autre liquide !
- Nettoyez l'extérieur de l'appareil avec un chiffon humide (imbibé d'eau mélangée à un détergent doux).
- N'utilisez jamais de détergent agressif ou de la poudre à récurer. N'utilisez jamais d'objet tranchant ou pointu. N'utilisez jamais d'essence ou de solvant ! Nettoyez avec un chiffon humide et éventuellement du liquide vaisselle, mais n'utilisez pas de matériaux abrasifs.
- Nettoyez les orifices de ventilation avec un aspirateur.

Caractéristiques techniques

Produit numéro: 225479

Tension et fréquence: 220-240V~ 50/60Hz

Consommation de l'énergie: 1200W

Plage de température à l'intérieur de la chambre : de 30 à 120°C (réglage possible tout le 1°C)

Niveau de protection: classe I

Résistance à l'eau: IPX3

Dimensions: 495x690x(hauteur)415 mm

Poids net: env. 27 kg

Remarque : Les caractéristiques techniques peuvent être modifiées sans préavis.



Garantie

Tout vice ou toute défaillance entraînant un dysfonctionnement de l'appareil qui se déclare dans les 12 mois suivant la date de l'achat sera éliminé à titre gratuit ou l'appareil sera remplacé par un appareil nouveau si le premier a été dûment exploité et entretenu conformément aux termes de la notice d'exploitation et s'il n'a pas été indûment exploité ou de manière non conforme à sa destination. La présente stipulation ne porte pas de préjudice aux autres droits de l'utilisateur prévus par les dispositions légales. Dans le cas où l'appareil est donné

à la réparation ou doit être remplacé dans le cadre de la garantie, il y a lieu de spécifier le lieu et la date de l'achat de l'appareil et produire un justificatif nécessaire (par ex. facture ou ticket de caisse).

Conformément à notre politique d'amélioration permanente de nos produits, nous nous réservons le droit d'introduire sans avertissement préalable des modifications à l'appareil, à l'emballage et aux caractéristiques techniques précisées dans la documentation.

Élimination et protection de l'environnement


En cas de retrait du produit de l'exploitation l'appareil ne peut pas être jeté avec d'autres déchets ménagers. L'utilisateur est responsable de la remise de l'équipement au point de collecte approprié pour l'équipement usagé. Le non-respect des dispositions ci-dessus peut entraîner les pénalités conformément à la réglementation applicable en matière d'élimination des déchets. La collecte sélective et le recyclage des équipements usagés contribuent à la conservation des ressources na-

tuelles et assurent un recyclage sans danger pour la santé et l'environnement. Pour plus d'informations sur les endroits de collecte des équipements usagés pour le recyclage, contactez la société de collecte des déchets locale. Le producteur et l'importateur ne sont pas responsables du recyclage et du traitement des déchets d'une manière respectueuse de l'environnement directement et dans le système public.

Gentile cliente,

grazie per aver acquistato questo apparecchio Hendi. Ti invitiamo a leggere queste istruzioni per l'uso con attenzione prima di collegare l'apparecchio al fine di evitare danni dovuti a uso improprio. Ti invitiamo inoltre a prestare particolare attenzione alle precauzioni di sicurezza.

Precauzioni di sicurezza



- L'uso scorretto e improprio dell'apparecchio possono danneggiare seriamente l'apparecchio e ferire gli utenti.
- Questo apparecchio è destinato all'uso commerciale.
- L'apparecchio può essere utilizzato solo per lo scopo per cui è stato concepito e progettato. Il produttore non è responsabile di eventuali danni provocati da uso scorretto ed improprio.
- Tenere l'apparecchio e la spina elettrica lontani da acqua ed altri liquidi. Nel caso improbabile che l'apparecchio cada in acqua, staccare immediatamente la spina dalla presa e fare ispezionare l'apparecchio da un tecnico certificato. L'inosservanza delle presenti istruzioni può dare luogo a situazioni pericolose
- Non provare mai ad aprire l'involucro dell'apparecchio da soli.
- Non inserire oggetti nell'involucro dell'apparecchio.
- Non toccare la presa con le mani bagnate o umide.
-  **Pericoli di scosse elettriche!** Non tentare di riparare l'apparecchio da solo. Eventuali difetti e malfunzionamenti devono essere rimossi soli da personale qualificato.
- **Non usare l'apparecchio danneggiato!** L'apparecchio difettoso deve essere immediatamente scollegato dalla rete e contattare il rivenditore.
- **Attenzione:** Non immergere parti elettriche in acqua o altri liquidi. Non mettere l'apparecchio sotto l'acqua corrente.
- Controllare regolarmente se la spina e il cavo di alimentazione non sono danneggiati. La spina o il cavo danneggiati trasmettere al servizio o alla persona qualificare per riparare, per evitare eventuali pericoli e lesioni.
- Assicurarsi che il cavo di alimentazione non è in contatto con oggetti appuntiti o caldi. Tenere il cavo lontano da fiamme libere. Per scollegare la spina dalla presa, tirare sempre la spina, mai il cavo.
- Proteggere il cavo di alimentazione (o di estensione) per la sconnessione accidentale dalla presa. Disporre il cavo in modo per evitare lo slittamento accidentale.
- Sorvegliare l'apparecchio continuamente durante l'uso.
- **Attenzione!** Se la spina è inserita nella presa, l'apparecchio è considerato come collegato.
- Prima di rimuovere la spina dalla presa, spegnere l'apparecchio!
- Non trasportare l'apparecchio tenendo il cavo di alimentazione.
- Non utilizzare qualsiasi accessorio che non è stato fornito con l'apparecchio.
- L'apparecchio deve essere collegato ad una presa con tensione e frequenza indicate sulla targhetta.

IT



- Inserire la spina nella presa situata in un punto facilmente accessibile in modo che in caso di guasto sia possibile scollegare immediatamente l'apparecchio. Per spegnere completamente l'apparecchio, scollegarlo dalla presa di corrente. Per questo staccare la spina che si trova sull'estremità del cavo di alimentazione.
- Prima di scollegare la spina, ricordarsi sempre di spegnere l'apparecchio!
- Non usare gli accessori non raccomandati dal produttore. L'uso di accessori non raccomandati può creare i rischi per l'utente e provocare i danni all'apparecchio. Usare unicamente solo pezzi ed accessori originali.
- L'installazione elettrica deve soddisfare le normative nazionali e locali applicabili. Questo apparecchio non è destinato all'uso da parte di persone (inclusi i bambini) con capacità fisiche, sensoriali o mentali ridotte, o senza esperienza e conoscenza.
- Non permettere ai bambini di utilizzare l'apparecchio.
- Tenere l'apparecchio con il cavo fuori dalla portata dei bambini.
- Non permettere ai bambini di giocare con l'apparecchio.
- Scollegare l'apparecchio dalla rete se esso deve essere lasciato incustodito e prima del montaggio, dello smontaggio o della pulizia.
- Non lasciare l'apparecchio incustodito durante l'utilizzazione.

Norme speciali di sicurezza

- Utilizzare l'apparecchio solo in conformità con le presenti istruzioni.
- L'apparecchio deve essere installato o utilizzato unicamente da personale di cucina addestrato in ristoranti, mense o nei bar, ecc.
-  **Attenzione! Rischio di ustioni!** La superficie riscaldante ed altre superfici disponibili riscaldano a temperature molto elevate. Toccare unicamente il pannello di controllo.
-  Sulla parte posteriore si trova una presa equipotenziale che permette il collegamento a croce di un altro dispositivo.
- Tenere l'apparecchio lontano da superfici calde o fiamme libere. Posizionare l'apparecchio su una superficie stabile, pulita e asciutta, resistente alle alte temperature.
- Non usare vicino all'apparecchio i materiali infiammabili e esplosivi, carte di pagamento, dischi magnetici o radio.
- L'apparecchio non è progettato per funzionare tramite un timer esterno o un sistema di telecomando separato.
- **AVVERTENZA:** Non ostruire le aperture di ventilazione.
- Assicurare almeno 15 cm di spazio intorno all'apparecchio per garantire una ventilazione adeguata.
- Non lavare l'apparecchio con acqua o un forte getto di acqua. La pulizia dell'apparecchio con l'acqua può causare la penetrazione nei componenti elettrici e causare una scossa elettrica.
- Non pulire l'apparecchio o stoccarlo in deposito prima di raffreddamento completo.
- Mantenere la prudenza durante il trasferimento dell'apparecchio a causa del suo peso. L'apparecchio deve essere trasportato da due persone o spostato sul carrello. Spostare l'apparecchio lentamente, con attenzione non inclinandolo sotto angolo superiore a 45°.

- Non spostare l'apparecchio durante il suo funzionamento.

Destinazione del dispositivo

- Il dispositivo è destinato all'uso professionale.
- Questo apparecchio è progettato esclusivamente per la preparazione o la lenta rigenerazione degli alimenti, mediante un processo controllato. L'uso dell'apparecchio per qualsiasi altro scopo può causare danni all'apparecchio o lesioni.
- L'uso del dispositivo per qualsiasi altro scopo sarà considerato un uso improprio. L'utente sarà l'unico responsabile per l'uso scorretto del dispositivo.

Messa a terra

Il mixer planetario è l'apparecchio della I classe di protezione e deve essere messo a terra. La messa a terra riduce il rischio di scosse elettriche grazie al cavo evacuante il corrente elettrico. L'apparecchio

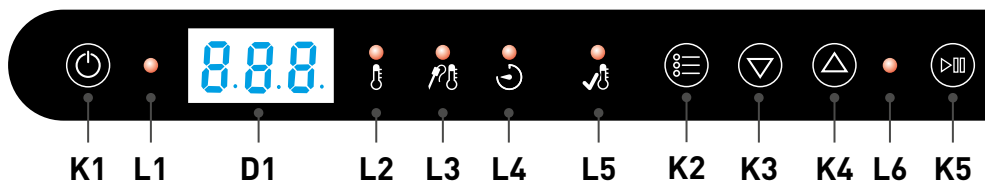
è dotato di un cavo con una messa a terra. Non inserire la spina nella presa di corrente se l'apparecchio non è stato correttamente installato o messo a terra.

Preparazione alla messa in servizio

- Controllare l'apparecchio per la presenza di danni. In caso di danno visibile, contattare immediatamente il proprio rivenditore e NON usare l'apparecchio.
 - Rimuovere l'intera confezione e l'eventuale pellicola protettiva, se presente.
 - Pulire l'apparecchio con acqua tiepida e un panno morbido.
 - Posizionare l'apparecchio in posizione orizzontale, a meno che non sia indicato diversamente.
 - Provvedere a lasciare abbastanza spazio intorno all'apparecchio.
 - Sistemare l'apparecchio in modo tale che la spina possa essere staccata in ogni momento.
 - Impostare la temperatura riscaldante massima nella camera e lasciarla accesa per circa un'ora.
- Attenzione: A causa di residui di produzione, l'apparecchio può emettere un odore debole e caratteristico all'inizio del funzionamento dell'apparecchio. Questo è normale e non significa che il funzionamento non corretto o pericolo. Assicurarsi che l'apparecchio è ben ventilato.**
- ⇒ **Osservare sempre le disposizioni HACCP.**



Comandi



	L'interruttore verde ON/OFF sul retro dell'apparecchio
K1	Tasto di standby
K2	Pulsante di selezione della funzione
K3	Riduzione della temperatura / del tempo (TEMP/TIME)
K4	Aumento della temperatura / del tempo (TEMP/TIME)
K5	Tasto Start / Pausa
D1	Display digitale
L1	Spia di controllo - On / Off
L2	Spia di controllo per temperatura camera di cottura
L3	La spia che indica la temperatura interna del cibo (utilizzando la sonda di temperatura fornita con l'apparecchio)
L4	Spia di controllo per timer
L5	Spia di controllo per temperatura COSTANTE
L6	Spia di controllo per avvio programma

IT

Inizio

Collegare la spina ad una presa di corrente e premere l'interruttore verde ON/OFF che si trova sul retro dell'apparecchio, impostando sulla posizione „I“. Premere il pulsante (Standby) (K1).

- A questo punto il forno emette un segnale acustico e tutte le spie di controllo L1- L5 così come il display D1 si accendono per 5 secondi. In seguito la spia L1 "ON" si illumina e il forno è pronto per essere impiegato. (Si trova nella modalità di standby).

Selezione delle funzioni

- Se il forno si trova nella modalità di standby è possibile selezionare le funzioni mediante il tasto di selezione K2. Le spie di controllo L2 - L5 indicheranno le rispettive funzioni selezionate.
 - o L2 è accesa → La temperatura della camera di cottura è stata impostata.
 - o L3 è accesa → La temperatura interna è stata impostata.
 - o L4 è accesa → Il timer è stato impostato.
 - o L5 è accesa → Modalità da temperatura a temperatura costante è stata impostata.
- I rispettivi valori impostati possono essere modificati mediante i tasti di impostazione K3 & K4.
- Tali valori si possono anche modificare durante il funzionamento mediante pressione del tasto di selezione K2. Oltretutto è possibile anche modifi-

- care i rispettivi valori mediante pressione dei tasti di impostazione K3 & K4. Dopo aver terminato le modifiche il forno tonerà di nuovo a funzionare.
- Ogni volta dopo aver premuto il pulsante standby (K1) tutte le impostazioni precedenti (camera, sonda, temperatura mantenuta) vengono ripristinate. Il forno è di nuovo in modalità standby.

Nota: Qualora siano stati selezionati dei valori errati mentre il forno è nella modalità di standby (p. es. la temperatura della camera di cottura non è stata impostata oppure è stata impostata in modo sbagliato su 000° C), il forno emetterà un segnale acustico per 6 volte dopo che è stato premuto il tasto Start / Pausa K5 e passerà alla modalità temperatura costante.



Campo dei valori

- Temperatura camera di cottura (L2): 30 – 120°C
- La temperatura interna del cibo (L3): fino a 100 °C (a condizione che la temperatura interna del cibo sia inferiore alla temperatura della camera)
- Timer (L4): 0 - 60 ore
- La temperatura mantenuta (L5): fino a 100 °C (a condizione che la temperatura mantenuta del cibo sia inferiore alla temperatura della camera)

Funzionamento

- Laddove il forno si trovasse nella modalità di standby, si azionerà l'apparecchio mediante pressione del tasto K5 "Start / Pausa". A questo punto le spie di controllo L6 per avvio programma nonché la spia di controllo per temperatura costante L5 saranno illuminate. Ora il display alterna ogni 5 secondi tra la temperatura impostata e quella effettiva. Il forno è dunque ora in funzione.
- Durante il funzionamento del forno è possibile modificare i valori impostati mediante pressione del tasto di selezione K2. I rispettivi valori possono anche essere modificati mediante pressione dei tasti di impostazione K3 & K4. Al termine delle avvenute modifiche il forno riprende a funzionare.
- L'apparecchio dispone di 2 aperture di ventilazione - una collocata sulla porta del forno, la se-

conda sulla parte posteriore. Queste ultime sono necessarie per la regolazione dell'umidità dell'aria nella camera di cottura. Tali aperture possono anche essere chiuse attraverso gli sportelli scorrevoli montati.

- In tal caso vale come regola generale: se il cibo da cuocere deve conservare i liquidi allora bisogna chiudere l'apertura di ventilazione. Se invece il cibo da cuocere deve diventare croccante, in tal caso bisogna aprire queste aperture. Così facendo ha luogo la perdita dell'umidità. Per ottenere un risultato che rispecchi i propri desideri è necessario raccogliere dei valori provando diverse impostazioni.

Attenzione: La guida in acciaio inox è adatta ai recipienti GN 1/1, alle griglie e alle piastre di 600x400 mm (non fornite con l'apparecchio) su tre livelli.

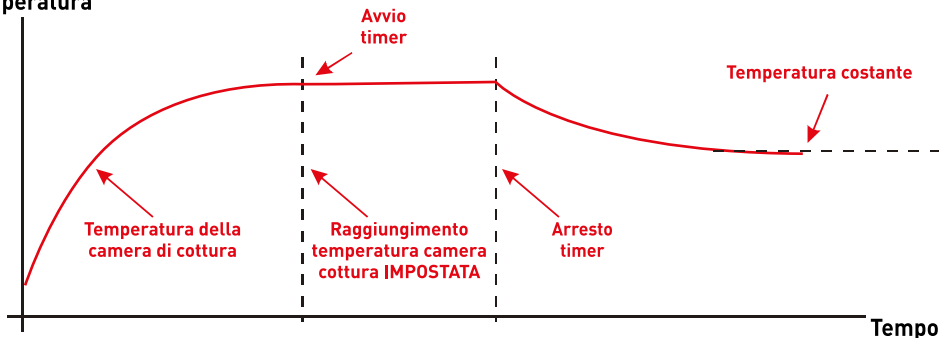
È possibile preparare gli alimenti attraverso 2 diversi metodi:

A. Mediante timer

Impostare la temperatura della camera di cottura, quella da mantenere costante e il timer. Il forno riscalderà tanto a lungo fino a quando la temperatura della camera di cottura attuale non abbia raggiunto la temperatura della camera di cottura impostata. Una volta raggiunta la temperatura impostata si avvia il timer (si avvertirà un segnale

acustico). Una volta trascorso il tempo del timer (si avvertiranno 3 segnali acustici), il forno passerà alla modalità COSTANTE e diminuirà progressivamente la temperatura fino a quando la temperatura della camera di cottura non abbia raggiunto la temperatura da mantenere costante impostata conservandola tale.

Temperatura

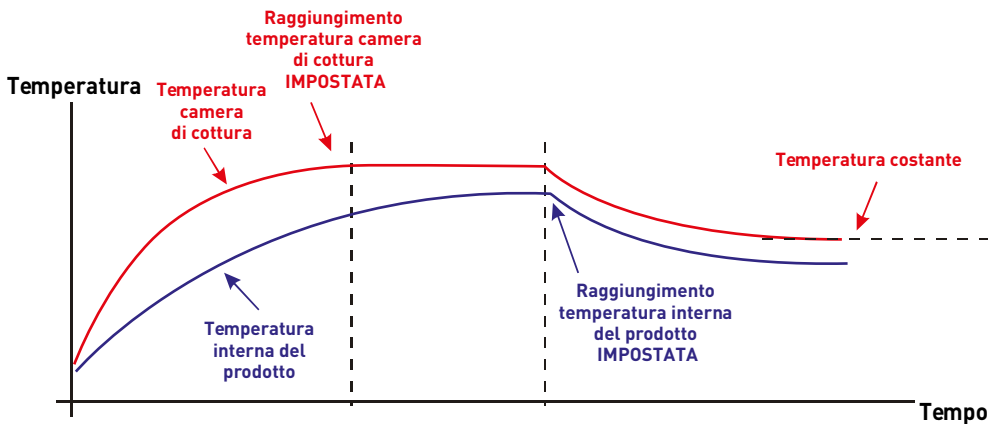


B. Mediante temperatura interna

L'utente può impostare la temperatura della camera di cottura, la temperatura interna richiesta del cibo e la temperatura mantenuta. Il forno si riscalda fino a quando la temperatura EFFETTIVA della camera non raggiunge la temperatura DEFINITA. Il forno mantiene la temperatura della camera fino a quando la temperatura EFFETTIVA del cibo non

raggiunge il valore DEFINITO. Poi, il forno diminuirà lentamente la temperatura della camera fino a raggiungere la temperatura mantenuta e questo valore sarà mantenuto (modalità di manutenzione della temperatura).

Nota: in questa modalità il timer non può essere impostato.



IT

Pausa

Quando il forno è in funzione è possibile impostare una pausa mediante pressione del tasto START / PAUSA (K5). Per riprendere la cottura bisogna pre-

mere nuovamente il tasto START / PAUSA (K5) (le impostazioni di temperatura rimarranno invariate).

Spegnimento

Quando il forno è in modalità di funzionamento o di manutenzione di temperatura, l'utente può spegnere il forno utilizzando il pulsante standby K1 (il forno passa in modalità standby). La spia che indica la connessione dell'apparecchio ad una fonte di alimentazione L1 rimane sempre illuminata ma le

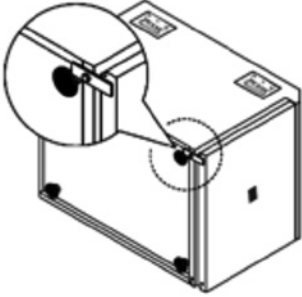
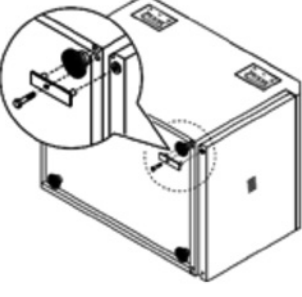
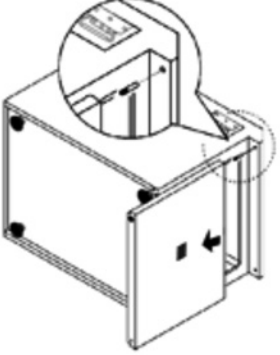
spie L2 - L5 si spengono. Spegnimento dell'apparecchio: impostare l'interruttore ON / OFF sul retro dell'apparecchio nella posizione „0“. Se l'apparecchio non possiede questo interruttore ON / OFF, togliere la spina dalla presa elettrica.



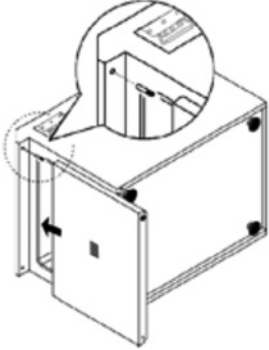
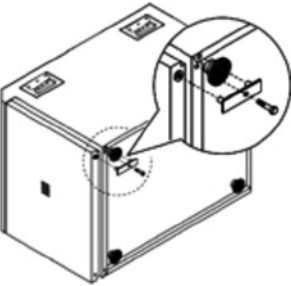
In caso di necessità: smontaggio della porta del forno

(Per questo apparecchio è possibile invertire la disposizione della porta affinché la maniglia sia disposta dalla parte opposta)

Smontare le porte come descritto qui di seguito:

Operazione 1	Operazione 2	Operazione 3
		
<ul style="list-style-type: none">• Spegner l'apparecchio e staccare la spina dalla corrente• Attendere che l'apparecchio si sia raffreddato• Rimuovere eventuali teglie dalla camera di cottura• Disporre l'apparecchio su di un lato in modo tale che l'aggancio della porta sia rivolto verso l'alto	<ul style="list-style-type: none">• Adoperare un giravite piano per svitare le viti e rimuovere i fissaggi della porta	<ul style="list-style-type: none">• Rimuovere la porta• Adoperare un giravite piano per svitare il bullone presente sul telaio della porta. In seguito rimuoverlo.

IT

Operazione 4	Operazione 5
	
<ul style="list-style-type: none">• Posizionare l'apparecchio sulla parte opposta• Fissare dunque la porta in conformità con le operazioni 3+2 descritte in precedenza	<ul style="list-style-type: none">• Montare l'aggancio• Riposizionare l'apparecchio in posizione orizzontale e collegare la spina.



Risoluzione dei problemi e codici di errori:

Se l'apparecchio non funziona correttamente, leggere la tabella qui sotto per trovare la soluzione corretta. Se non è possibile risolvere il problema, contattare il rivenditore.

Guasto	Possibile causa	Possibile soluzione
L'apparecchio non funziona	Assenza di corrente nella presa	Verificare la presa
	Interruttore verde ON/OFF sul retro dell'apparecchio	Impostare l'interruttore verde ON/OFF sulla posizione „I”
	La spina è difettosa oppure non inserita correttamente nella presa.	Verificare la spina
L'apparecchio non raggiunge la temperatura impostata	L'elemento di riscaldamento è rotto	Contattare il rivenditore
	Il pannello dei comandi è rotto	Contattare il rivenditore
	Il fusibile dell'elemento di riscaldamento è rotto	Contattare il rivenditore

Qualora i sensori della temperatura non funzionino correttamente sul display D1 possono comparire i seguenti codici d'errore:

Codice d'errore	Possibile guasto	Possibili soluzioni
501	Il sensore di temperatura della camera di cottura (NTC) è rotto	Contattare il rivenditore
	La camera di cottura ha una temperatura superiore ai 152°C oppure inferiore ai -30°C	Attendere che la camera di cottura abbia raggiunto di nuovo la temperatura normale
502	Il sensore della temperatura interna della camera di cottura (NTC) è rotto	Contattare il rivenditore
	Il prodotto ha una temperatura superiore ai 152°C oppure inferiore ai -30°C	Attendere che il prodotto abbia raggiunto di nuovo la temperatura normale

Pulizia e manutenzione

- Togliere sempre la spina prima di pulire l'apparecchio.
- Attenzione: non immergere l'apparecchio in acqua o in altri liquidi!
- Pulire la struttura esterna con un panno umido (umidificato con acqua e un detergente delicato).
- Non utilizzare detersivi o abrasivi aggressivi. Non utilizzare oggetti taglienti o appuntiti. Non utilizzare benzina né solventi! Pulire l'apparecchio con un panno umido ed eventualmente detersivo. Non adoperare materiali abrasivi.
- Pulire eventuali aperture di ventilazione con l'aspirapolvere.

Specifiche tecniche

Prodotto n.: 225479

Tensione e frequenza: 220-240V~ 50/60Hz

Consumo di energia: 1200W

Intervallo di temperature all'interno di camera:
da 30 a 120°C (possibilità di impostare ogni 1°C)

Classe di protezione: classe I

Resistenza all'acqua: IPX3

Dimensioni: 495x690x(altezza)415 mm

Peso netto: circa 27 kg

Nota: Le specifiche tecniche sono soggette a modifiche senza preavviso.



Garanzia

Qualsiasi difetto che influenza la funzionalità del dispositivo che compaia entro un anno dall'acquisto sarà corretto a titolo interamente gratuito o con la sostituzione del prodotto che è stato utilizzato e sottoposto a manutenzione corretta seguendo le istruzioni, senza alcuna violazione. I diritti legali del cliente non sono assolutamente modificati. Nel caso in cui l'intervento di manutenzione o sostitu-

zione sia previsto nel periodo di validità della garanzia, precisare dove e quando si è acquistato il prodotto, possibilmente allegando lo scontrino.

In linea con la nostra politica di sviluppo continuo dei prodotti, ci riserviamo il diritto di modificare il prodotto, l'imballo e le specifiche di documentazione, senza notifica alcuna.

Smaltimento e protezione dell'ambiente

In caso di ritiro dell'apparecchiatura dal funzionamento il prodotto non può essere smaltito con altri rifiuti domestici. L'utente è responsabile della consegna dell'attrezzatura al punto di raccolta appropriato per l'attrezzatura usata. Il mancato rispetto delle disposizioni sopramenzionate può comportare l'imposizione di sanzioni in conformità con le normative vigenti in materia di smaltimento dei rifiuti. La raccolta e il riciclaggio selettivi di attrezzature usate contribuiscono alla conserva-


zione delle risorse naturali e garantiscono il riciclaggio in modo tale da non nuocere alla salute e all'ambiente. Per ulteriori informazioni sui luoghi di smaltimento delle apparecchiature usate per il riciclaggio, contattare la società locale di raccolta dei rifiuti. Il produttore e l'importatore non sono responsabili per il riciclaggio e il trattamento dei rifiuti in modo ecologico, sia direttamente che nel quadro del sistema pubblico.



Stimate client,




Vă mulțumim pentru achiziționarea acestui aparat Hendi. Vă rugăm să citiți cu atenția acest manual înainte de a conecta aparatul pentru evitarea defectării ca urmare a utilizării incorecte. Acordați o atenție deosebită regulilor de siguranță.

Reguli de siguranță

- Operarea incorectă și utilizarea necorespunzătoare a aparatului poate avaria grav aparatul și poate cauza răni oamenilor.
- Acest aparat este destinat uzului comercial.
- Aparatul poate fi folosit doar în scopul pentru care a fost proiectat. Producătorul nu este răspunzător pentru orice avariere cauzată operării incorecte și a utilizării necorespunzătoare.
- Asigurați-vă că aparatul și ștecherul nu intră în contact cu apă sau alte lichide. În cazul în care aparatul este scăpat în apă, scoateți imediat ștecherul din priză și un tehnician autorizat trebuie să-l verifice. Dacă nu respectați aceste instrucțiuni, acest lucru poate cauza situații care vă pot pune viața în pericol.
- Nu încercați să deschideți singuri carcasa aparatului.
- Nu introduceți nici un fel de obiecte în carcasa aparatului.
- Nu atingeți ștecherul cu mâinile ude sau umede.
-  **Pericol de electrocutare!** Nu încercați să reparați singur/ă aparatul. În cazul unei defecțiuni, reparațiile vor fi efectuate întotdeauna numai de personal calificat.
- **Nu utilizați niciodată un aparat defect!** Deconectați aparatul de la priza electrică și contactați distribuitorul în cazul unei defecțiuni.
- **Avertisment!** Nu scufundați părțile electrice ale aparatului în apă sau în alte lichide. Nu țineți niciodată aparatul sub jet de apă.
- Verificați în mod regulat ștecărul și cablul pentru a vă asigura că nu sunt deteriorate. În cazul în care ștecărul sau cablul de alimentare este deteriorat, acesta trebuie înlocuit de agentul de service sau de alt personal calificat similar pentru a evita orice pericol.
- Cablul nu trebuie să intre în contact cu obiecte ascuțite sau fierbinți și trebuie păstrat departe de foc. Pentru a scoate ștecărul din priză, trageți întotdeauna de ștecăr, nu de cablu.
- Asigurați-vă că nimeni nu poate trage din greșeală cablul (sau prelungitorul) și că nimeni nu se poate împiedica de el.
- Supravegheați întotdeauna aparatul atunci când este în funcțiune.
- **Avertisment!** Atât timp cât ștecărul este în priză, aparatul este conectat la sursa de electricitate.
- Opriiți aparatul înainte de a scoate ștecărul din priză.
- Nu cărați niciodată aparatul ținându-l de cablu.
- Nu utilizați dispozitive suplimentare care nu sunt livrate împreună cu aparatul.
- Conectați aparatul doar la prize electrice cu intensitatea și frecvența electrice menționate pe eticheta aparatului.

- Conectați cablul de alimentare la o priză electrică ușor accesibilă, astfel încât aparatul să poată fi deconectat imediat în caz de urgență. Scoateți cablul de alimentare din priza electrică pentru a opri complet aparatul. Utilizați cablul de alimentare ca dispozitiv de deconectare.
- Opriți întotdeauna aparatul înainte de a deconecta cablul de alimentare.
- Nu utilizați niciodată accesorii care nu sunt recomandate de către producător. Acestea pot reprezenta un risc de siguranță pentru utilizator și pot deteriora aparatul. Utilizați numai piese și accesorii originale.
- Acest aparat nu trebuie folosit de copii sau persoane care au capacități mentale, senzoriale sau fizice reduse, sau lipsă de experiență și cunoștințe.
- Acest aparat nu trebuie utilizat sub nicio formă de către copii.
- Nu țineți produsul și cablurile sale la îndemâna copiilor.
- Copiii nu trebuie să se joace cu acest produs.
- Deconectați întotdeauna aparatul de la sursa de alimentare în cazul în care este lăsat nesupravegheat, precum și înainte de asamblare, dezasamblare sau curățare.
- Nu lăsați niciodată aparatul nesupravegheat pe parcursul utilizării.

Reglementări Speciale de Siguranță

- Utilizați aparatul doar în conformitatea cu indicațiile din acest manual. A se utiliza doar la interior.
- Acest aparat trebuie instalat și utilizat de către personalul instruit de la bucătăria restaurantului, cantinelor sau personalul barului etc.
-  **Atenție! Suprafață fierbinte!** Temperatura suprafeței exterioare este foarte ridicată în timpul utilizării. Atingeți doar panoul de comandă.
-  În partea din spate a aparatului este furnizată o bornă de legătură echipotențială  pentru a asigura interconexiunea cu alte echipamente.
- Țineți aparatul la distanță de orice suprafețe fierbinți și de flăcări deschise. Utilizați întotdeauna aparatul pe o suprafață orizontală, stabilă, curată, termorezistentă și uscată.
- Nu utilizați aparatul în apropierea materialelor explozibile sau inflamabile, cardurilor de credit, discurilor magnetice sau radiourilor.
- Acest aparat nu este conceput pentru a fi utilizat cu ajutorul unui cronometru extern sau al unui sistem de control separat.
- **AVERTISMENT:** Nu obstrucționați orificiile de ventilație ale aparatului.
- În timpul utilizării, lăsați cel puțin 15 cm în jurul aparatului ca spațiu de ventilație.
- Nu spălați aparatul cu apă sau sub jet de apă. Spălarea cu apă poate produce scurgeri și crește riscul de electrocutare.
- Nu curățați și nu depozitați aparatul decât după ce s-a răcit complet.
- Mutarea sau transportul aparatului trebuie efectuate cu atenție deosebită, deoarece are o greutate mare. Efectuați-le în 2 oameni sau ajutându-vă de un cărucior. Mutați mașina încet, cu grijă și niciodată înclinată la peste 45°.
- Nu mutați aparatul în timp ce acesta funcționează.



Destinația produsului

- Acesta este un aparat de uz profesional.
- Acest aparat este conceput doar pentru prepararea lentă sau regenerarea alimentelor printr-un proces controlat. Orice altă utilizare poate avaria aparatul sau poate provoca accidente.

- Utilizarea aparatului în orice alt scop reprezintă o utilizare incorectă. Utilizatorul este singurul răspunzător de orice utilizare incorectă a aparatului.

Instalația de împământare

Acest aparat este încadrat în clasa de protecție I și trebuie conectat la împământare de protecție. Împământarea reduce riscul electrocutării prin asigurarea unui fir de ieșire pentru curentul electric.

Acest aparat este dotat cu un cablu cu fir și fișă de împământare. Fișa trebuie conectată la o priză instalată corespunzător și cu împământare.

Pregătirea pentru prima sa utilizare

- Verificați ca aparatul să nu fie avariât. În cazul unor avarii, contactați imediat furnizorul dumneavoastră și NU utilizați aparatul.
- Scoateți ambalajul acestuia și folia de protecție (daca este cazul).
- Curățați aparatul cu apă călduță și cu o cârpă moale.
- Poziționați aparatul pe o suprafața dreaptă și stabilă, doar dacă nu s-a menționat altfel.
- Asigurați-vă că este destul loc în jurul aparatului pentru ventilație.

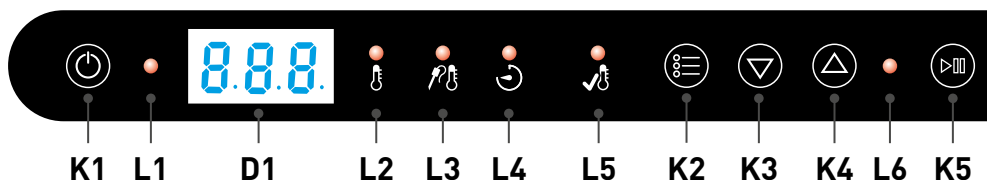
- Poziționați aparatul în așa fel încât accesul la priză să fie permis tot timpul.
- Încălziți aparatul fără alimente timp de aproximativ o oră, cel mai mult la temperatura camerei.

Notă: Resturile rămase din fabricație pot face ca aparatul să emită un ușor miros. Acest lucru este normal și nu este un semn de defecțiune sau de pericol. Asigurați-vă că aparatul este bine ventilat.

⇒ **Întotdeauna sa respectați standardele HACCP.**

RO

Panoul De control



	Butonul ON/OFF verde din partea din spate
K1	Buton de regimul de așteptare
K2	Butonul de selectare a funcțiilor
K3	Scăderea valorii setate (temperatură / timp)
K4	Creșterea valorii setate (temperatură / timp)
K5	Start/Pauza
D1	Display digital
L1	Indicator de lumina
L2	Temperatura camerei Indicator luminos
L3	Lampă de indicare a temperaturii interioare a alimentelor (utilizați senzorul livrat)
L4	Timer Indicator
L5	Temperatura ridicată
L6	Operațiunea Indicator luminos



Pornirea

Introduceți ștecherul într-o priză electrică adecvată și apăsați butonul verde ON/OFF din partea din spate a aparatului la poziția „I”. Apăsați butonul de stand-by (K1).

- Cuptorul va emite o singură dată și apoi toate toate luminile indicatoare, L1 la L5, D1 va fi ON pentru 5 secunde. După aceea, indicatorul L1 este PORNIT pentru a arăta că cuptorul este pregătit pentru funcționare (în modul de așteptare).

Selectare funcțiilor

Atunci când cuptorul este în modul stand-by, puteți alege funcția, butonul de selecție, K2, și luminile luminoase L2, L3, L4 și L5 vor fi ON pentru a arăta care dintre funcție este aleasă.

- o L2 este ON → temperatura camerei este selectat pentru ajustare
- o L3 este ON → temperatura de bază internă este selectat pentru ajustare.
- o L4 este ON → timerul este selectat pentru ajustare
- o L5 este ON → temperatura de așteptare este selectat pentru ajustare
- Puteți schimba valoarea prin butonul de reglare K3 și K4.
- De asemenea, puteți schimba valorile de control atunci când cuptorul este în modul de funcționare apăsând butonul de selectare K2 și apoi pentru a schimba valorile, cuptorul va continua operațiunea. (în modul de operare din nou).

- Ori de câte ori butonul de stand-by (K1) este apăsat, toate setările anterioare (camera, senzorul, temperatura de menținere) vor fi anulate. Cuptorul a revenit în regimul de așteptare.

NOTĂ: Dacă valorile improprie de control au fost alese atunci când cuptorul este în modul stand-by (de exemplu, dacă temperatura camerei a fost mai mic decât temperatura din jurul sau TIMER a fost setat la 000), cuptorul va emite un sunet de 6 ori, după ce apăsați „Start / Pause”, K5 și apoi intră în modul de așteptare.

RO

Control Valori

- Temperatura camerei (L2): 30 – 120°C
- Temperatura interioară a alimentelor (L3): Până la 100°C (cu condiția ca temperatura interioară a alimentelor < temperatura camerei)
- Timer (L4): 0 – 60 de ore
- Temperatura de menținere (L5): Până la 100°C (cu condiția ca temperatura de menținere < temperatura camerei)

Operațiunea

- Atunci când cuptorul este în modul stand-by, porniți aparatul apăsând butonul START/PAUZA, K5. Indicatorul luminos L6 și Temperatura ridicată L5 vor fi ON. După 4.5 secunde D1 va afișa temperatura setată și temperatura actuală a camerei alternative (cuptorul este în modul de operare)
 - În timpul funcționării, schimbați valorile de control prin apăsarea „Selectarea butonului”, K2 și apoi modificați valorile „Ajustarea butoanelor”, K3 și K4. După schimbarea valorilor, cuptorul va continua să opereze.
 - Aparatul are 2 deschideri de ventilație – unul în față, unul în spate. Acestea sunt destinate pentru reglarea umidității în camera de cuptor. Ele pot fi închise cu glisoarele integrate. În cazul produselor alimentare acestea ar trebui să devină crocante / crocanta, păstrați-le deschise. Acest lucru duce la pierderea din umiditate. Acest sfat va produce cele mai bune rezultate.
- Notă: Acest aparat are o tavă și suporturi de tavă din oțel inox, adecvat pentru recipientele GN 1/1, grătare și tăvi ca și tăvi de brutărie 600 x 400 mm (niciuna din acestea nu sunt incluse în livrare), pe 3 niveluri.



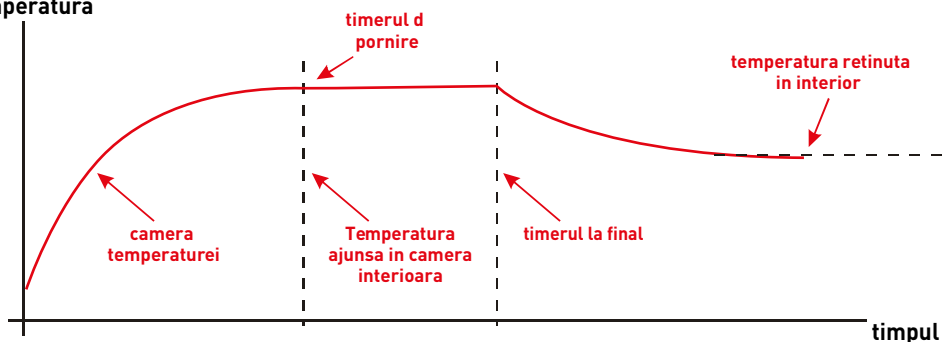
Puteți găti în două metode de operare diferite.

A. Coacerea cu temporizatorul

Puteți seta temperatura din interiorul cuptorului, cronometrul și mențineți temperatura. Cuptorul începe să se încălzească până la temperatura camerei ACTUALA ajunge la temperatura camerei PREZENT. În acest moment, cronometrul începe

numărătoarea (un semnal sonor va suna). Când cronometrul de numărare s-a terminat, cuptorul intră în modul de așteptare (3 bipuri va suna). Cuptorul v-a începe să se răcească, până se ajunge la temperatura de caldă și o menține (Hold mode).

Temperatura

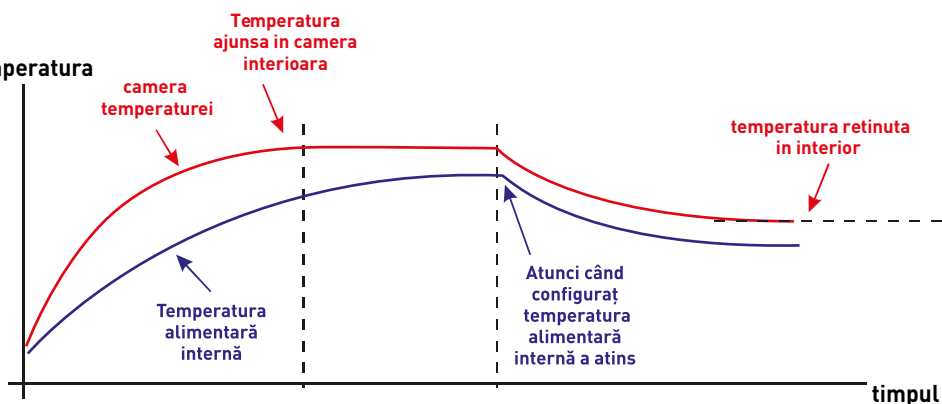


B. Coacerea

Puteți seta temperatura camerei, temperatura interioară a alimentelor și temperatura de menținere. Cuptorul începe să se încălzească până când temperatura EFECTIVĂ din cameră atinge valoarea presetată. Apoi cuptorul va menține temperatura din cameră constantă până când temperatura EFECTIVĂ din interiorul alimentelor atinge valoarea

presetată. Apoi cuptorul va lăsa temperatura din cameră să scadă încet până ajunge la temperatura de menținere și o va menține stabilă (regimul de temperatură de menținere).
Notă: în această situație nu există funcție de cronometrare.

Temperatura



Pauză

Atunci când cuptorul este în funcțiune, cuptorul se va opri în cazul în care "Start / Pauză" (K5), butonul a fost apăsat și își reia funcționarea (cu setările de

temperatură neschimbat), atunci când "Start / Pauză" butonul este apăsat din nou.



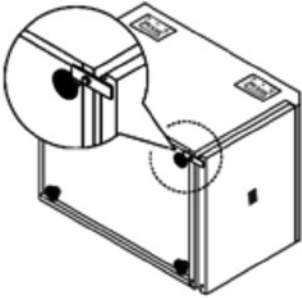
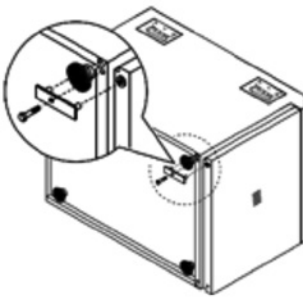
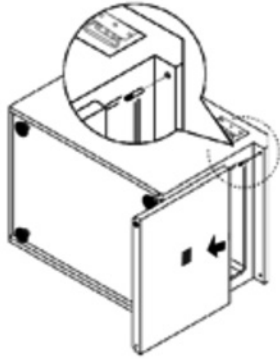
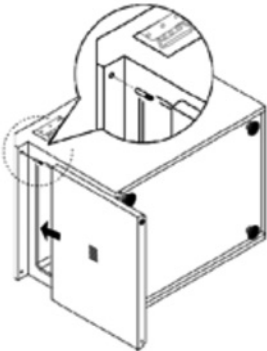
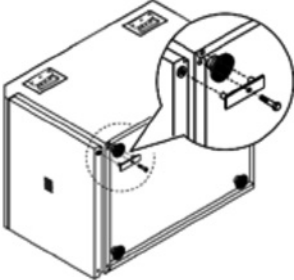
Stingerea OFF

Atunci când cuptorul este în regim de funcționare sau în regim de menținere, îl puteți opri apăsând butonul de stand-by K1 (acum cuptorul va fi în regim de așteptare). Indicatorul de alimentare L1 este tot aprins dat toate celelalte indicatoare de la

L2 la L5 sunt stinse. Opriți: opriți aducând comutatorul verde ON / OFF din spatele aparatului în poziția „0”. Dacă acest comutator nu este disponibil, scoateți ștecherul din priză.

Dacă este necesară inversarea ușii

Este posibil acest caz, dar trebuie respectate următoarele instrucțiuni de mai jos.

Pasul 1	Pasul 2	Pasul 3
		
<ul style="list-style-type: none">• Opriți aparatul și deconectați-l de la sursa de energie• Așteptați până când aparatul s-a răcit• Scoateți toate tăvile de alimentare din interiorul cuptorului• Așezați aparatul în așa fel încât balamalele ușii să fie poziționate în sus	<ul style="list-style-type: none">• Folosiți o șurubelniță pentru a desface șurubul și scoateți balamalele ușii	<ul style="list-style-type: none">• Scoateți ușa• Folosiți o șurubelniță plată să deșurubați șurubul de pe partea de sus a ușii și a inversa poziția acestuia
Pasul 4	Pasul 5	
		
<ul style="list-style-type: none">• Așezați aparatul în lateral pe partea cealaltă• Asamblați ușa	<ul style="list-style-type: none">• Puneți balamaua la loc• Poziționați cuptorul în poziție orizontală și reconectați sursa de alimentare	

RO



Depanarea și codurile de eroare:

Dacă aparatul nu funcționează corespunzător, consultați tabelul de mai jos pentru a găsi soluția. Vă rugăm contactați distribuitorul/agentul de service în cazul în care problema nu poate fi rezolvată.

Defecte	Cauze posibile	Soluții posibile
Aparatul nu funcționează	Puterea prea mica de la priza electrică	Verificați siguranța
	Comutatorul on/off verde din partea din spate	Răsuciți comutatorul on/off verde din partea din spate la poziția "I"
	Stecherul nu este introdus bine in priză	Verificați priza
Aparatul nu ajunge la temperatura dorită	Elementul de încălzire este defect	A lua legătura cu furnizorul
	Unitatea de control este defectă	A lua legătura cu furnizorul
	Elementul de încălzire este defect	A lua legătura cu furnizorul

În cazul în care senzorii de temperatură sau temperatura din cuptor nu funcționează corect, D1 digitale de afișare poate indica unul dintre următoarele coduri de erori.

Cod eroare	Cauze posibile	Soluții posibile
501	Senzorul din temperatura din interiorul cuptorului (NTC) este scurtat	A lua legătura cu furnizorul
	Temperatura camerei din interior este mai mare decât 152°C sau mai mica -30°C	Așteptați până cand temperatura din interior revine la normal
502	Senzorul indicator al temperaturii mâncării (NTC) este semideschis sau deschis	A lua legătura cu furnizorul
	Senzorul indicator al temperaturii mâncării este mai ridicat de 158°C sau mai scăzut de -15°C	Așteptați până cand temperatura din interior revine la normal

Curățarea și întreținerea

- Scoateți întotdeauna ștecherul din priză înainte de curățare.
- Atenție! Nu introduceți niciodată aparatul în apă sau în orice alt lichid!
- Curățați aparatul cu o cârpă umedă (apă cu detergent ușor).
- Nu utilizați niciodată agenți de curățare puternici sau corozivi. Nu folosiți obiecte ascuțite sau con-tondente. Nu folosiți petrol sau solvenți! Curățați cu o cârpă umedă și detergent dacă este necesar. Nu folosiți materiale abrazive.
- Curățați gurile de ventilație (dacă există) cu aspiratorul.

Specificația tehnică

Articol nr.: 225479

Tensiune și frecvență de funcționare: 220-240V-50/60Hz

Puterea nominală de intrare: 1200W

Interval de temperaturi din cameră:

30 până la 120°C (cu pași de reglaj de 1°C)

Clasa de protecție: clasa I

Clasa de protecție contra apei: IPX3

Dimensiune: 495x690x(H)415 mm

Greutate netă: aprox. 27 kg

Observație: Specificația tehnică poate fi modificată fără preaviz.



Garanție

Orice defecțiune care afectează funcționarea aparatului apărută la mai puțin de un an de la cumpărarea acestuia va fi remediată prin reparație sau înlocuire gratuită, cu condiția ca aparatul să fi fost folosit și întreținut conform instrucțiunilor nu să nu fi fost bruscat sau folosit necorespunzător în vreun fel. Drepturile dumneavoastră legale nu sunt afec-

tate. Dacă aparatul este în garanție, menționați când și de unde a fost cumpărat și includeți dovada cumpărării (de ex. chitanța).

Conform politicii noastre de dezvoltare continuă a produsului, ne rezervăm dreptul de a modifica produsul, ambalajul și documentația fără notificare.

Eliminarea și mediul înconjurător

La dezafectarea aparatului, produsul nu trebuie aruncat împreună cu alte deșeuri menajere. În schimb, este responsabilitatea dumneavoastră să eliminați echipamentul uzat prin predarea acestuia la un punct de colectare desemnat. Nerespectarea acestei reguli poate fi penalizată în conformitate cu reglementările aplicabile privind eliminarea deșeurilor. Colectarea separată și reciclarea echipamentului dumneavoastră uzat la momentul debarasării contribuie la conservarea resurselor na-

turale și asigură realizarea reciclării într-un mod care protejează sănătatea ființelor umane și a mediului. Pentru informații suplimentare privind modul în care puteți preda deșeurile dumneavoastră în scopul reciclării, vă rugăm să contactați compania locală de colectare a deșeurilor. Producătorii și importatorii nu își asumă responsabilitatea cu privire la reciclarea, tratarea și eliminarea ecologică a deșeurilor, fie direct, fie prin intermediul unui sistem public.






Большое Вам спасибо за то, что Вы купили оборудование фирмы Hendi. Вам следует внимательно прочитать настоящую инструкцию пользователя во избежание повреждения машины в результате неправильной эксплуатации. Особенно рекомендуем ознакомиться с предупреждениями.

Правила техники безопасности

- Неправильная эксплуатация и неподходящее использование агрегата может привести к его поломке и поранить оператора.
- Это оборудование предназначено для коммерческого использования.
- Оборудование следует использовать точно по назначению. Производитель не несет ответственности за повреждения, вызванные неправильной эксплуатацией или неправильным обслуживанием оборудования.
- Оборудование и электрическую штепсельную вилку следует держать вдали от воды и прочих жидкостей. Если штепсельная вилка попадет в воду, ее следует тут же вытащить из розетки электропитания и обратиться в службу сертифицированного сервиса для проверки устройства. Несоблюдение данных указаний может повлечь за собой угрозу здоровью и жизни обслуживающего персонала.
- Нельзя снимать кожух без особого разрешения.
- Нельзя класть никаких посторонних предметов вовнутрь агрегата.
- Нельзя касаться мокрыми, или влажными руками штепсельной вилки.
-  **Опасность поражения током!** Не следует самостоятельно чинить электроаппаратуру. Любые поломки и неисправности должны устраняться квалифицированным персоналом.
- **Никогда не следует пользоваться поврежденной электроаппаратурой.** Поврежденное устройство нужно отсоединить от электросети и обратиться к продавцу.
- **Предупреждение:** не следует погружать электрических деталей в воду, или иные жидкости. Не омыwać в струе воды.
- Регулярно проверять вилку и провод электропитания на предмет повреждений. Поврежденные вилку или провод передать для ремонта в сервисную точку, или обратиться к квалифицированному электрику во имя предотвращения опасности травм.
- Удостовериться, что провод электропитания не касается острых и горячих предметов; держать электропровод вдали от открытого огня. Для того, чтобы вынуть вилку из розетки всегда нужно тянуть за вилку, а не за электропровод.
- Защитить провод электропитания (удлинитель) от случайного выпадения из розетки. Электропровод прокладывать так, чтобы случайно не зацепиться за него.
- Непрестанно наблюдать за работающей электроаппаратурой.
- **Предупреждение!** Если вилка находится в розетке – это означает, что электроаппаратура считается подключенной к электропитанию.
- Перед тем, как вынуть вилку из розетки, электроаппаратуру следует выключить!
- Никогда нельзя переносить, передвигать электроаппаратуру держа за электропровод.

- Не использовать никаких деталей, аксессуаров, которые не поставляются вместе с этой электроаппаратурой.
- Электроаппаратуру следует подключать исключительно к розетке, в которой имеется напряжение и частота, указанную на щитке электроаппаратуры.
- Вилку следует вставлять в розетку, расположенную в удобном и легкодоступном месте, так чтобы в случае аварии можно бы ее немедленно вынуть. Для полного обесточивания электроаппаратуры ее следует отсоединить от электропитания; для этого следует вынуть вилку, находящуюся на конце провода электропитания, из розетки.
- Перед тем, как вынуть вилку всегда следует помнить о том, чтобы сначала выключить электроаппаратуру!
- Не следует использовать детали, аксессуары, не рекомендуемые производителем данной электроаппаратуры, т.к. использование таких деталей, аксессуаров может создать для пользователя угрозу его здоровью и жизни, а также может привести к поломке электроаппаратуры. Следует всего использовать оригинальные детали, аксессуары.
- Без надлежащего контроля или предварительного обучения эксплуатации оборудования проводимого лицом, отвечающим за безопасную эксплуатацию, оборудованием не могут пользоваться ни дети, ни лица с ограниченными физическими, или психическими возможностями, ни лица, которые не обладают необходимым опытом работы и знаниями в данной области.
- Ни в коем случае нельзя допускать к использованию электроаппаратуры детей.
- Электроаппаратуру следует хранить в месте недоступном для детей.
- Нельзя разрешать детям использовать электроаппаратуру в качестве игрушки.
- Всегда электроаппаратуру следует отсоединить от электропитания, если оставляем ее без надзора, перед монтажом, демонтажем и чисткой.
- Нельзя оставлять работающую электроаппаратуру без надзора.

Специальные правила техники безопасности

- Используйте устройство только в соответствии с руководством. Только для внутреннего использования.
- Устройство должно устанавливаться и эксплуатироваться только квалифицированным персоналом общественного питания ресторанов, баров и т.п.
-  **Внимание! Горячая поверхность!** Во время работы устройства внешние поверхности нагреваются до высоких температур.
-  В задней части устройства находится эквипотенциальный разъем для  перекрестного подключения к другому устройству.
- Держите устройство вдали от горячих поверхностей и открытого огня. Установите устройство на ровную, стабильную, чистую и сухую поверхность, стойкую к высоким температурам.
- Не пользуйтесь устройством вблизи легковоспламеняющихся или взрывоопасных материалов, платежных карт, магнитных дисков или радиоприёмников.



- Устройство не предназначено для работы с помощью внешнего таймера или отдельной системы дистанционного управления.
- **ПРЕДУПРЕЖДЕНИЕ:** Не закрывайте вентиляционные отверстия устройства.
- Обеспечьте, по крайней мере, 15 см пространства вокруг устройства для обеспечения надлежащей вентиляции.
- Не мойте устройство водой или сильной струёй. При мойке устройства вода может попасть в электрические детали и вызвать поражение электрическим током.
- Не чистите и не помещайте устройство на хранение, пока оно полностью не остынет.
- Соблюдайте особенную осторожность во время перенесения устройства из-за его веса. Устройство должны переносить два человека или перемещать с помощью погрузчика. Переносите устройство медленно и осторожно, не наклоняйте его под углом более, чем на 45°.
- Не перемещайте устройство во время работы.

Назначение устройства

- Устройство предназначено для профессионального использования.
- Данное оборудование предназначено только для медленного приготовления или регенерации пищи посредством контролируемого процесса. Использование устройства для любых других целей может привести к повреждению или травме.
- Использование устройства для любых других целей будет рассматриваться, как использование не по назначению. Пользователь будет нести исключительную ответственность за правильное использование устройства.

RU

Монтаж заземления

Миксер является устройством I класса защиты и должен быть заземлен. Заземление снижает риск поражения электрическим током за счет использования отводящего провода. Устройство

оснащено проводом заземления с заземляющей вилкой. Вилка должна быть подключена к розетке переменного тока, которая надлежащим образом установлена и заземлена.

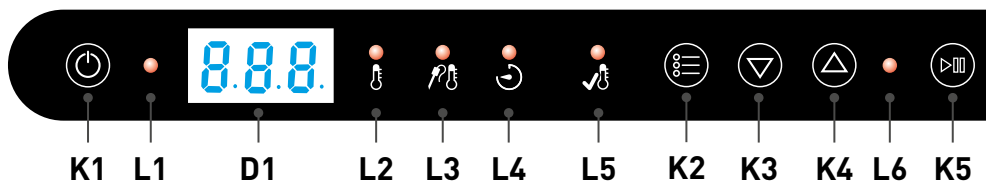
Подготовка перед первым использованием

- Убедитесь, что устройство не повреждено. В случае обнаружения повреждения, немедленно свяжитесь с поставщиком и НЕ пользуйтесь устройством.
 - Снимите упаковку и защитную пленку (если имеется).
 - Промойте устройство теплой водой и мягкой тряпкой.
 - Если не указано иначе, поставьте устройство на ровной и устойчивой поверхности.
 - Обеспечьте достаточное пространство вокруг устройства для обеспечения вентиляции.
 - Установите устройство таким образом, чтобы обеспечить легкий доступ к вилке.
 - Установите самую высокую температуру нагрева в камере и оставьте ее примерно на час.
- Замечание: Из-за остатка от производственного процесса из устройства может выделяться неприятный запах. Это нормальное явление и не указывает на повреждение устройства или опасность для пользователя. Убедитесь, что устройство хорошо вентилируется.**

⇒ **Действуйте всегда согласно правилам НАССР.**



Панель управления



	Зелёный переключатель ON/OFF расположен на задней панели устройства
K1	Кнопка режима ожидания
K2	Кнопка выбора функции
K3	Уменьшение значения температуры / времени (TEMP/TIME)
K4	Увеличение значения температуры / времени (TEMP/TIME)
K5	Кнопка старт / пауза
D1	Цифровой индикатор
L1	Индикатор питания
L2	Индикатор температуры в камере
L3	Лампочка, сигнализирующая внутреннюю температуру пищевых продуктов (при использовании датчика температуры, поставляемого вместе с устройством)
L4	Светодиодные часы (таймер)
L5	Индикатор поддержания контроля температуры в камере
L6	Индикатор режима работы устройства

RU

Запуск

Подключите вилку к соответствующей электрической розетке и нажмите зелёный переключатель ON / OFF, расположенный на задней панели устройства, устанавливая его в положение „I“. Нажмите кнопку ожидания (Standby) (K1).

- Вы услышите один звук, потом все индикаторы (от L1 до L5) и цифровой индикатор D1 включатся на 0,5 секунды. После этого включится индикатор L1, показывая, что печь готова к работе (режим ожидания).

Выбор функции

- Когда печь находится в режиме ожидания, с помощью кнопки выбора (K2), вы можете выбрать любую функцию. Тогда загорятся соответственно индикаторы L2, L3, L4 и L5 с указанием выбранной функции.
 - o L2 → регулирование температуры в камере
 - o L3 → регулирование температуры, замеренной с помощью зонда.
 - o L4 → регулирование часов.
 - o L5 → регулирование поддержания температуры.
- Значение температуры можно изменить с помощью кнопок K3 и K4.
- Кроме того, можно изменять настройки, когда печь находится в рабочем режиме, нажимая кнопку выбора (K2) и изменяя значения с помощью кнопок K3 и K4. После изменения, печь

будет продолжать работать (в рабочем режиме).

- Каждый раз, после нажатия на кнопку ожидания (K1), все предыдущие настройки (камера, датчик, поддерживаемая температура) будут сброшены. Печь снова находится в режиме ожидания.

ВНИМАНИЕ: Если вы выберете неправильные значения, когда печь будет находиться в режиме ожидания (например, установите температуру камеры ниже температуры окружающей среды или ЧАСЫ будут установлены на 000), раздастся звуковой сигнал 6 раз после нажатия кнопки старт/пауза (K5). Затем устройство переходит в режим поддержания.



Диапазон значений

- температура в камере (L2): 30 – 120°C
- Внутренняя температура пищи (L3): До 100 °C (при условии, что внутренняя температура пищи ниже, чем температура в камере)
- часы (L4): 0 – 60 часов
- Поддерживаемая температура (L5): До 100 °C (при условии, что поддерживаемая температура ниже, чем температура в камере)

Обслуживание

- Для запуска устройства, когда оно находится в режиме ожидания, нажмите кнопку старт/пауза (K5). Загорится индикатор режима работы (L6) и индикатор температуры в камере (L5). Через 4,5 секунды цифровой индикатор (D1) будет отображать попеременно заданную температуру (PRESET) и фактическую температуру в камере (печь в режиме работы).
 - Во время работы устройства, вы можете изменить его настройки, нажимая кнопку выбора (K2), а затем изменить значение с помощью кнопок K3 и K4. После изменения значений, печь будет продолжать работать.
 - Устройство оснащено 2-мя вентиляционными отверстиями, одно из которых расположено на двери, а другое в задней части устройства. Они служат для регулирования влажности в камере печи. Их можно закрыть с помощью интегрированных жалюзи. Общее правило: для того, чтобы сохранить влагу пищи, закройте отверстия. Если блюдо должно быть хрустящим, прикройте его. Это приводит к потере влаги. Наилучшие результаты выпечки могут быть достигнуты путем проверки отдельных настроек печи.
- Примечание: Направляющая из нержавеющей стали соответствует гастроёмкостям GN 1/1, решёткам и противням 600x400 мм (не входят в комплект поставки) на трёх уровнях.

RU

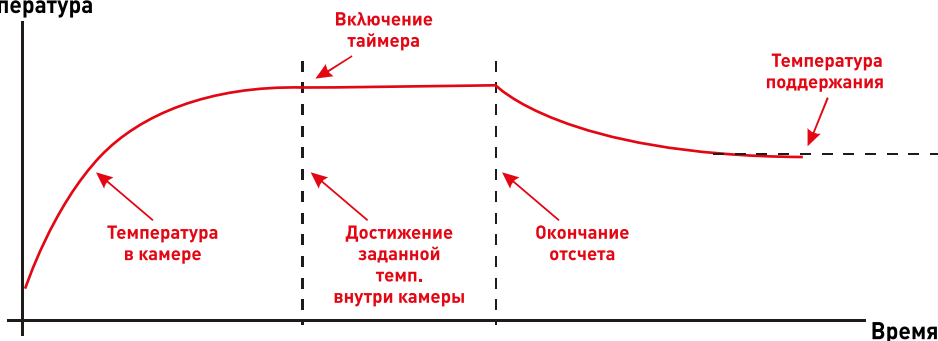
Пищу можете приготовить двумя различными способами:

А. Приготовление с таймером

Вы можете установить температуру камеры, таймер и температуру поддержания. Печь начнет нагревать камеру, пока ФАКТИЧЕСКАЯ температура в камере не достигнет ЗАДАННОГО значения. В этот момент часы начнут отсчет (вы услышите один звук). После отсчета печь пере-

ключится в режим поддержания (вы услышите тройной звук). Произойдет небольшое понижение температуры до температуры поддержания и печь будет поддерживать заданный уровень температуры (режим поддержания).

Температура

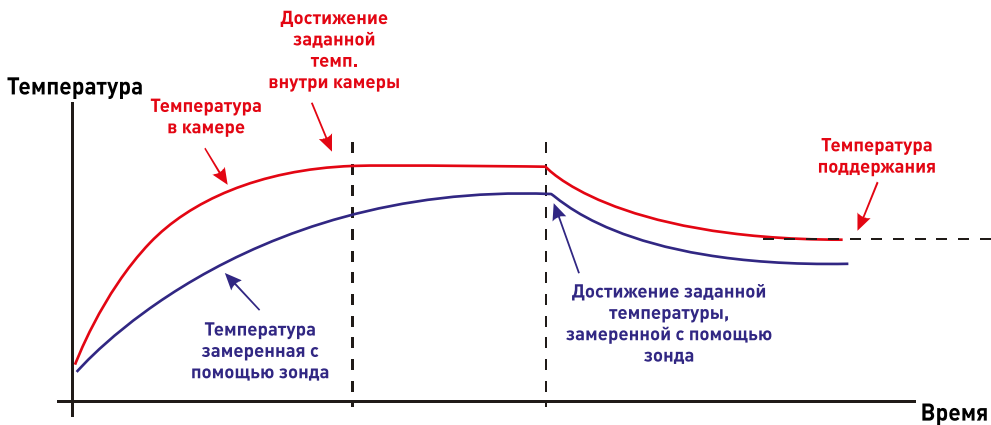


В. Выпечка с зондом

Пользователь может установить температуру в пекарной камере, необходимую внутреннюю температуру пищи и поддерживаемую температуру. Печь нагревается до тех пор, пока ИСТИННАЯ температура в камере не достигнет ЗАДАННОЙ температуры. После этого, печь будет медленно

понижать температуру камеры до тех пор, пока температура не достигнет поддерживаемой температуры и такое значение будет поддерживаться (режим поддержания температуры).

Примечание: в этом режиме не может быть установлен таймер.



Пауза

Во время работы печи, нажатие кнопки старт/пауза (K5) приведет к остановке печи и, чтобы воз-

обновить работу печи, следует повторно нажать кнопку старт/пауза.

Выключение устройства

Когда печь находится в рабочем режиме или в режиме поддержания температуры, пользователь может выключить печь, нажав кнопку ожидания K1 (печь перейдет в режим ожидания). Лампочка, сигнализирующая подключение устройства к источнику питания L1, продолжает

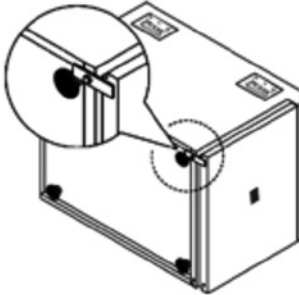
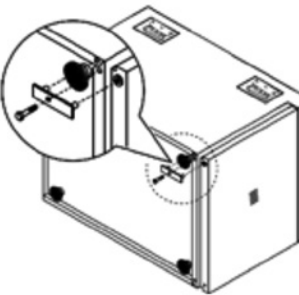
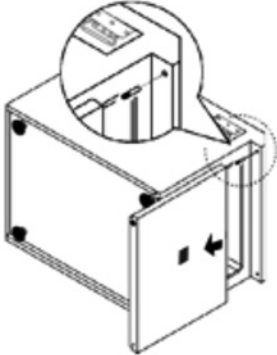
светиться, но лампочки L2 - L5 погаснут. Выключение устройства: установите переключатель ON / OFF, расположенный на задней панели устройства в положение „0“. Если устройство не имеет выключателя ON / OFF, выньте вилку из розетки.

RU

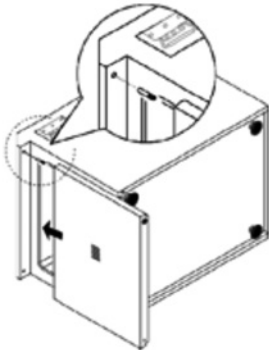
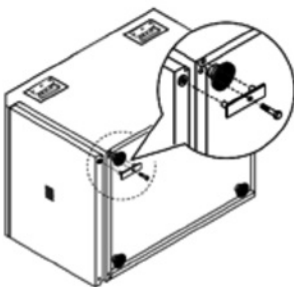


Изменение направления открывания двери

Существует возможность переложить двери печи на другую сторону. Чтобы изменить положение двери следует действовать согласно инструкции, указанной ниже.

Шаг 1	Шаг 2	Шаг 3
		
<ul style="list-style-type: none">• Выключите и отсоедините устройство от источника питания• Дайте устройству остыть• Удалить контейнеры для пищевых продуктов из печи• Положите устройство на бок, петлями вверх	<ul style="list-style-type: none">• С помощью плоской отвертки отвинтите винты и снимите дверные петли	<ul style="list-style-type: none">• Снимите дверь• С помощью плоской отвертки отвинтите винт на верхней части дверной рамы и переложите винт на другую сторону

RU

Шаг 4	Шаг 5
	
<ul style="list-style-type: none">• Положите устройство на другой бок• Установите дверь	<ul style="list-style-type: none">• Прикрутите дверные петли• Установите печь на ножках и подключите к источнику питания



Устранение неполадок и коды ошибок:

Если устройство не работает должным образом, обратитесь к приведенной ниже таблице, чтобы найти правильное решение. Если вы не можете решить проблему, обратитесь к поставщику.

Неисправность	Возможная причина	Возможное устранение
Устройство не работает	Нет питания в розетке	Проверьте предохранитель
	Зелёный переключатель ON/OFF, расположенный на задней панели устройства	Установите зелёный переключатель ON / OFF на задней панели устройства в положение «I»
	Вилка не (правильно) подключена к источнику питания	Проверьте вилку
Устройство не доходит до нужной температуры	Повреждение нагревательного элемента	Обратитесь к поставщику
	Повреждение блока управления	Обратитесь к поставщику
	Повреждение предохранителя нагревательного элемента	Обратитесь к поставщику

Если датчики температуры не работают должным образом или будет неправильная температура печи, на цифровом индикаторе (D1) может быть отображен один из следующих кодов ошибок.

Код ошибки	Возможная неисправность	Возможное устранение
501	Короткое замыкание или повреждение датчика температуры камеры (NTC)	Обратитесь к поставщику
	Температура камеры выше, чем 152°C или ниже, чем -30°C	Подождите, пока температура не вернется к нормальному значению
502	Короткое замыкание или открытие датчика температуры, замеренной зондом (NTC)	Обратитесь к поставщику
	Температура, замеренная зондом, превышает 158°C или она ниже, чем -15°C	Подождите, пока температура, замеренная зондом, не вернется к нормальному значению

RU

Очистка и техническое обслуживание

- Перед очисткой всегда отключайте устройство от сети.
- Внимание: Никогда не погружайте устройство в воду или другую жидкость!
- Очистите устройство снаружи влажной тканью (используйте раствор воды и мягкого моющего средства).
- Никогда не используйте абразивные чистящие средства или абразивные материалы. Не используйте острые предметы. Не используйте бензин или растворители. Протирайте влажной тканью с жидкостью для мытья посуды. Не используйте абразивные материалы.
- Очищайте вентиляционные отверстия с помощью пылесоса.

Техническая характеристика

№ продукта: 225479

Рабочее напряжение и частота: 220-240В~ 50/60Гц

Потребляемая мощность: 1200Вт

Диапазон температуры внутри камеры:

от 30 до 120°C (возможность установки через каждый 1°C)

Степень защиты: I Класс

Класс влагозащиты: IPX3

Размеры: 495x690x(выс.)415 мм

Вес нетто: прим. 27 кг

Внимание: Техническая характеристика может быть изменена без предварительного уведомления.



Гарантия

Любая неподелка или поломка, которая влечет за собой неправильную работу устройства, которая будет выявлена в течение первого года от даты покупки, будет устранена бесплатно, или же все устройство будет заменено новым, если оно эксплуатировалось и обслуживалось согласно инструкции по обслуживанию и не использовалось неправильно, или в разрез с назначением. Данное положение ни в коей мере не нарушает иных прав потребителя, изложенных в законо-

дательстве. В случае заявления устройства в ремонт или на замену в рамках гарантии, следует указать место и дату покупки устройства и приложить счет, или чековую квитанцию.

Согласно нашей политике совершенствования наших продуктов оставляем за собой право на внос изменений в конструкцию, упаковку и в технические параметры, указываемые в технической документации без предупреждения.

Утилизация и защита окружающей среды

В случае вывода оборудования из эксплуатации, продукт нельзя утилизировать вместе с другими бытовыми отходами. Пользователь несет ответственность за передачу оборудования в соответствующий пункт приема техники бывшей в употреблении. Несоблюдение вышеуказанного положения может привести к наложению штрафов в соответствии с действующими правилами в отношении утилизации отходов. Селективный сбор и утилизация использованного оборудования способствуют сохранению природных

ресурсов и обеспечивают рециркуляцию таким образом, который не вреден для здоровья и окружающей среды. Для получения дополнительной информации о том, где можно отдать использованное оборудование для утилизации, обратитесь в местную компанию по сбору отходов. Производитель и импортер не несут ответственности за рециркуляцию и переработку отходов экологически безопасным способом, как непосредственно, так и в рамках государственной системы.

Αγαπητέ πελάτη,

Ευχαριστούμε που αγοράσατε αυτό το προϊόν HENDI. Διαβάστε προσεκτικά το παρόν εγχειρίδιο πριν συνδέσετε τη συσκευή, προκειμένου να προλάβετε πιθανή βλάβη που μπορεί να οφείλεται σε λανθασμένη χρήση. Διαβάστε ιδίως τους κανονισμούς ασφαλείας πολύ προσεκτικά.

Κανονισμοί ασφαλείας



- Η συσκευή είναι για επαγγελματική χρήση.
- Η συσκευή πρέπει να χρησιμοποιείται μόνο για τον σκοπό για τον οποίο προορίζεται και σχεδιάστηκε. Ο κατασκευαστής δεν ευθύνεται για τυχόν ζημιές που προκλήθηκαν από εσφαλμένη λειτουργία και ακατάλληλη χρήση.
- Κρατήστε τη συσκευή και το βύσμα μακριά από νερό και άλλα υγρά. Σε περίπτωση που η συσκευή πέσει μέσα σε νερό, αφαιρέστε αμέσως το βύσμα από την πρίζα και μην τη χρησιμοποιήσετε μέχρι να ελεγχθεί η συσκευή από πιστοποιημένο τεχνικό. Η μη τήρηση των οδηγιών ενδέχεται να προκαλέσει κίνδυνο προς τη ζωή.
- Μην επιχειρήσετε ποτέ να ανοίξετε μόνοι σας το περίβλημα της συσκευής.
- Μην εισάγετε αντικείμενα στο περίβλημα της συσκευής.
- Μην αγγίζετε το βύσμα με υγρά χέρια.
- ⚠ **Κίνδυνος ηλεκτροπληξίας!** Μην επιχειρήσετε να επισκευάσετε μόνοι σας τη συσκευή. Σε περίπτωση δυσλειτουργίας, οι επισκευές πρέπει να διενεργούνται μόνο από εξειδικευμένο προσωπικό.
- **Μην χρησιμοποιείτε ποτέ συσκευή με βλάβη!** Σε περίπτωση βλάβης, αποσυνδέστε τη συσκευή από την πρίζα και επικοινωνήστε με τον πωλητή.
- **Προειδοποίηση!** Μην βυθίζετε τα ηλεκτρικά μέρη της συσκευής σε νερό ή άλλα υγρά. Μην βάζετε ποτέ τη συσκευή κάτω από τρεχούμενο νερό.
- Ελέγχετε τακτικά το βύσμα και το καλώδιο τροφοδοσίας για τυχόν ζημιές. Εάν το βύσμα ή το καλώδιο τροφοδοσίας είναι κατεστραμμένο, πρέπει να αντικατασταθεί από τεχνικό σέρβις ή εξειδικευμένα άτομα για την αποφυγή τυχόν κινδύνου ή τραυματισμού.
- Βεβαιωθείτε ότι το καλώδιο δεν έρχεται σε επαφή με αιχμηρά ή θερμά αντικείμενα και κρατήστε το μακριά από φωτιά. Για να βγάλετε το βύσμα από την πρίζα, να τραβάτε πάντα το βύσμα και όχι το καλώδιο.
- Βεβαιωθείτε ότι το καλώδιο (ή το καλώδιο επέκτασης) είναι τοποθετημένο έτσι ώστε να μην προκαλέσει κίνδυνο να σκοντάψει κανείς.
- Να προσέχετε πάντα τη συσκευή κατά τη χρήση.
- **Προειδοποίηση!** Όσο το βύσμα είναι στην πρίζα, η συσκευή είναι συνδεδεμένη στην πηγή τροφοδοσίας.
- Απενεργοποιήστε τη συσκευή πριν τραβήξετε το βύσμα από την πρίζα.
- Ποτέ μην μεταφέρετε τη συσκευή από το καλώδιο.
- Μην χρησιμοποιείτε συσκευές που δεν παρέχονται μαζί με τη συσκευή.
- Συνδέστε τη συσκευή μόνο σε ηλεκτρική πρίζα με τάση και συχνότητα που αναφέρονται στην ετικέτα της συσκευής.

GR



- Συνδέστε το βύσμα σε μια εύκολα προσβάσιμη ηλεκτρική πρίζα έτσι ώστε σε περίπτωση έκτακτης ανάγκης η συσκευή να μπορεί να αποσυνδεθεί αμέσως. Για να απενεργοποιήσετε πλήρως τη συσκευή, βγάλτε το βύσμα από την πρίζα.
- Απενεργοποιείτε πάντα τη συσκευή πριν αποσυνδέσετε το βύσμα.
- Μην χρησιμοποιείτε ποτέ εξαρτήματα διαφορετικά από αυτά που συνιστώνται από τον κατασκευαστή. Σε αντίθετη περίπτωση, μπορεί να δημιουργηθεί κίνδυνος για τον χρήστη και να προκληθεί ζημιά στη συσκευή. Χρησιμοποιείτε μόνο αυθεντικά εξαρτήματα και αξεσουάρ.
- Αυτή η συσκευή δεν προορίζεται για χρήση από άτομα (συμπεριλαμβανομένων παιδιών) με μειωμένες σωματικές, αισθητήριες ή διανοητικές ικανότητες ή με έλλειψη πείρας και γνώσης.
- Αυτή η συσκευή δεν πρέπει, σε καμία περίπτωση, να χρησιμοποιείται από παιδιά.
- Κρατήστε τη συσκευή και το καλώδιο μακριά από παιδιά.
- Να αποσυνδέετε πάντα τη συσκευή από το ρεύμα εάν αφήνεται χωρίς επιτήρηση ή δεν χρησιμοποιείται και πριν από εργασίες συναρμολόγησης, αποσυναρμολόγησης ή καθαρισμού.
- Μην αφήνετε ποτέ τη συσκευή χωρίς επιτήρηση ενώ βρίσκεται σε λειτουργία.

Ειδικοί κανονισμοί ασφαλείας

- Η συσκευή είναι σχεδιασμένη μόνο για αργή παρασκευή ή απόψυξη φαγητού μέσω μιας ελεγχόμενης διαδικασίας, για επαγγελματική χρήση. Οποιαδήποτε άλλη χρήση μπορεί να προκαλέσει ζημιά στη συσκευή ή τραυματισμό.
- Χρησιμοποιείτε τη συσκευή μόνο όπως περιγράφεται στο παρόν εγχειρίδιο. Για χρήση μόνο σε εσωτερικό χώρο.
- Η συσκευή πρέπει να χειρίζεται και να τοποθετείται από εκπαιδευμένο προσωπικό σε κουζίνα εστιατορίου, καντίνας, μπαρ κλπ.
-  **Προσοχή! Καυτή επιφάνεια!** Η θερμοκρασία των εξωτερικών επιφανειών είναι υψηλή κατά τη χρήση. Να αγγίζετε μόνο τον πίνακα ελέγχου.
-  Στο πίσω τμήμα της συσκευής παρέχεται τερματικό ισοδυναμικής σύνδεσης, επιτρέποντας τη σύνδεση με άλλο εξοπλισμό.
- Διατηρείτε τη συσκευή μακριά από θερμές επιφάνειες και ανοικτές φλόγες. Χρησιμοποιείτε πάντα τη συσκευή σε επίπεδη, σταθερή, καθαρή, στεγνή και ανθεκτική στη θερμότητα επιφάνεια.
- Μην χρησιμοποιείτε τη συσκευή κοντά σε εκρηκτικά ή εύφλεκτα υλικά, πιστωτικές κάρτες, μαγνητικούς δίσκους ή ραδιόφωνα.
- Η συσκευή δεν προορίζεται για λειτουργία μέσω εξωτερικού χρονοδιακόπτη ή ξεχωριστού συστήματος τηλεχειρισμού.
- **ΠΡΟΕΙΔΟΠΟΙΗΣΗ:** Απομακρύνετε όλα τα εμπόδια γύρω από όλα τα ανοίγματα εξαερισμού της συσκευής.
- Αφήστε τουλάχιστον 15 cm ελεύθερο χώρο γύρω από τη συσκευή για λόγους αερισμού κατά τη χρήση.

- Μην πλένετε τη συσκευή με νερό ή εκτοξευτήρα νερού. Το πλύσιμο με νερό μπορεί να προκαλέσει διαρροές και να αυξήσει τον κίνδυνο ηλεκτροπληξίας.
- Μην καθαρίζετε ή αποθηκεύετε τη συσκευή εάν δεν έχει κρυώσει πλήρως.
- Πρέπει να δίνεται ιδιαίτερη προσοχή κατά τη μετακίνηση ή τη μεταφορά της συσκευής λόγω του μεγάλου βάρους της. Η μετακίνηση να γίνεται από τουλάχιστον 2 άτομα ή με χρήση τροχήλατου για βοήθεια. Μετακινείτε τη συσκευή αργά, προσεκτικά και ποτέ με κλίση άνω των 45°.
- Μην μετακινείτε τη συσκευή ενώ λειτουργεί.

Προβλεπόμενη χρήση

- Η συσκευή προορίζεται για επαγγελματική χρήση.
- Η συσκευή έχει σχεδιαστεί αποκλειστικά για αργό μαγείρεμα ή αναγέννηση φαγητού, με μέσα ελεγχόμενης διαδικασίας. Οποιαδήποτε άλλη χρήση μπορεί να προκαλέσει ζημιά στη συσκευή ή τραυματισμό.
- Η χρήση της συσκευής για οποιονδήποτε άλλο σκοπό θεωρείται εσφαλμένη. Ο χρήστης είναι αποκλειστικά υπεύθυνος για την μη κατάλληλη χρήση της συσκευής.

Γείωση

Αυτή η συσκευή ταξινομείται στην κλάση προστασίας I και πρέπει να συνδέεται με γείωση προστασίας. Η γείωση μειώνει τον κίνδυνο ηλεκτροπληξίας παρέχοντας ένα καλώδιο διαφυγής για το ηλεκτρικό ρεύμα.

Αυτή η συσκευή είναι εξοπλισμένη με καλώδιο που φέρει καλώδιο γείωσης με βύσμα γείωσης. Το βύσμα πρέπει να είναι συνδεδεμένο σε σωστά τοποθετημένη και γειωμένη πρίζα.

Προετοιμασία πριν από την πρώτη χρήση

- Βεβαιωθείτε ότι η συσκευή δεν φέρει ζημιές. Σε περίπτωση ζημιάς, επικοινωνήστε αμέσως με τον προμηθευτή σας και ΜΗΝ χρησιμοποιήσετε τη συσκευή.
- Αφαιρέστε όλο το υλικό συσκευασίας και την προστατευτική μεμβράνη (αν υπάρχει).
- Καθαρίστε τη συσκευή με κλιαρό νερό και ένα μαλακό πανί.
- Τοποθετήστε τη συσκευή σε επίπεδη και σταθερή επιφάνεια, εκτός εάν αναφέρεται διαφορετικά.
- Βεβαιωθείτε ότι υπάρχει αρκετός ελεύθερος χώρος γύρω από τη συσκευή για λόγους αερισμού.
- Τοποθετήστε τη συσκευή με τέτοιο τρόπο ώστε η πρίζα να είναι πάντα προσβάσιμη.

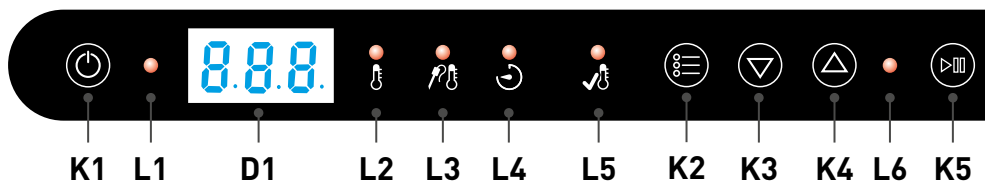
- Προθερμαίνετε τη συσκευή χωρίς να έχετε τοποθετήσει φαγητό για περίπου μία ώρα στην υψηλότερη θερμοκρασία του θαλάμου.

Σημείωση: Λόγω καταλοίπων από τη διαδικασία παραγωγής, ενδέχεται να εξέρχεται από τη συσκευή μια ελαφριά μυρωδιά. Αυτό είναι φυσιολογικό και δεν υποδηλώνει βλάβη ή κίνδυνο. Βεβαιωθείτε ότι η συσκευή διαθέτει καλό εξαερισμό.

⇒ Τηρείται πάντα τους κανονισμούς υγιεινής HACCP.



Πίνακας ελέγχου



	Πράσινο διακόπτης ON/OFF στο πίσω μέρος της συσκευής
K1	Κουμπι αναμονής
K2	Κουμπι επιλογής λειτουργίας
K3	Κουμπι μείωσης θερμοκρασίας/χρόνου
K4	Κουμπι αύξησης θερμοκρασίας/χρόνου
K5	Κουμπι έναρξης/παύσης
D1	Ψηφιακή οθόνη
L1	Ενδεικτική λυχνία αναμονής
L2	Ενδεικτική λυχνία θερμοκρασίας θαλάμου
L3	Ενδεικτική λυχνία εσωτερικής θερμοκρασίας φαγητού (Χρησιμοποιείτε τον παρεχόμενο αισθητήριο πυρήνα)
L4	Ενδεικτική λυχνία χρονομέτρου
L5	Ενδεικτική λυχνία διατήρησης θερμοκρασίας
L6	Ενδεικτική λυχνία λειτουργίας

Έναρξη

Συνδέστε το φως σε μια κατάλληλη πρίζα και πιέστε τον πράσινο διακόπτη ON/OFF που βρίσκεται στην πίσω πλευρά της συσκευής, στη θέση "I". Πατήστε το κουμπι αναμονής (K1).

- Θα ακουστεί ένα ηχητικό σήμα και στη συνέχεια όλες οι ενδεικτικές λυχνίες (L1 έως L5) και η ψηφιακή οθόνη D1 θα ανάψουν για 0,5 δευτερόλεπτο. Η ενδεικτική λυχνία L1 παραμένει αναμμένη υποδεικνύοντας ότι ο φούρνος είναι έτοιμος για λειτουργία (σε κατάσταση αναμονής).

Επιλογή λειτουργίας

- Όταν ο φούρνος βρίσκεται σε λειτουργία αναμονής, μπορείτε να επιλέξετε τη λειτουργία με το κουμπι επιλογής K2 και οι ενδεικτικές λυχνίες L2, L3, L4 & L5 θα ανάψουν υποδεικνύοντας ότι έχετε επιλέξει λειτουργία.
 - ο Η ενδεικτική λυχνία L2 είναι ANAMMENEH → Η θερμοκρασία θαλάμου έχει επιλεγεί για ρύθμιση.
 - ο Η ενδεικτική λυχνία L3 είναι ANAMMENEH → Η εσωτερική θερμοκρασία πυρήνα έχει επιλεγεί για ρύθμιση.
 - ο Η ενδεικτική λυχνία L4 είναι ANAMMENEH → Ο χρονοδιακόπτης έχει επιλεγεί για ρύθμιση.

- ο Η ενδεικτική λυχνία L5 είναι ANAMMENEH → Η θερμοκρασία διατήρησης έχει επιλεγεί για ρύθμιση.
- Στη συνέχεια, μπορείτε να αλλάξετε την τιμή με τα κουμπιά ρύθμισης K3 & K4.
- Όταν ο φούρνος βρίσκεται σε κατάσταση λειτουργίας, μπορείτε να αλλάξετε τις τιμές ρύθμισης εάν πατήσετε το κουμπι επιλογής K2 και, στη συνέχεια, αλλάξετε τις τιμές με τα κουμπιά ρύθμισης K3 & K4. Αφού αλλάξετε τις τιμές, ο φούρνος θα συνεχίσει τη λειτουργία του (θα μεταβεί και πάλι σε κατάσταση λειτουργίας).

- Εάν πατήσετε το κουμπί αναμονής (K1), όλες οι προηγούμενες ρυθμίσεις (θαλάμου, πυρήνα, θερμοκρασίας διατήρησης) θα ακυρωθούν. Ο φούρνος τίθεται και πάλι σε κατάσταση αναμονής.

μονής (για παράδειγμα εάν η θερμοκρασία θαλάμου ρυθμιστεί σε χαμηλότερη θερμοκρασία από τη θερμοκρασία περιβάλλοντος ή το ΧΡΟΝΟΜΕΤΡΟ ρυθμιστεί σε 000), θα ακουστεί ένα ηχητικό σήμα 6 φορές όταν πατηθεί το κουμπί «Εναρξη/Παύση» (K5) και ο φούρνος θα τεθεί σε λειτουργία διατήρησης.

ΣΗΜΕΙΩΣΗ: Εάν εισαχθούν εσφαλμένες τιμές ρύθμισης όταν ο φούρνος βρίσκεται σε κατάσταση ανα-

Εύρος τιμών ρύθμισης

- Θερμοκρασία θαλάμου (L2): 30 – 120°C
- Εσωτερική θερμοκρασία τροφίμων (L3): Έως 100°C [Με την προϋπόθεση ότι η εσωτερική θερμοκρασία τροφίμων είναι μεγαλύτερη από τη θερμοκρασία θαλάμου]

- Χρονόμετρο (L4): 0 – 60 ώρες
- Θερμοκρασία διατήρησης (L5): Έως 100°C [Με την προϋπόθεση ότι η θερμοκρασία διατήρησης είναι μεγαλύτερη από τη θερμοκρασία θαλάμου]

Λειτουργία

- Όταν ο φούρνος βρίσκεται σε κατάσταση αναμονής, ξεκινήστε τη λειτουργία της συσκευής πιέζοντας το κουμπί «Εναρξη/Παύση» (K5). Η ενδεικτική λυχνία λειτουργίας L6 και η ενδεικτική λυχνία διατήρησης θερμοκρασίας L5 θα ανάψουν. Μετά από μερικά δευτερόλεπτα, η οθόνη D1 θα εμφανίζει εναλλακτικά την ΠΡΟΚΑΘΟΡΙΣΜΕΝΗ θερμοκρασία και την ΠΡΑΓΜΑΤΙΚΗ θερμοκρασία του θαλάμου (ο φούρνος βρίσκεται σε κατάσταση λειτουργίας).
- Κατά τη διάρκεια λειτουργίας του φούρνου, μπορείτε να αλλάξετε τις τιμές ρύθμισης εάν πατήσετε το κουμπί επιλογής K2 και, στη συνέχεια, αλλάξετε τις τιμές με τα κουμπιά ρύθμισης K3 & K4. Αφού αλλάξετε τις τιμές, ο φούρνος θα συνεχίσει τη λειτουργία του.

- Η συσκευή διαθέτει 2 ανοίγματα εξαερισμού, ένα στην πόρτα και ένα στην πίσω πλευρά της, τα οποία προορίζονται για τη ρύθμιση της υγρασίας στο θάλαμο του φούρνου. Αυτά μπορούν να κλείσουν με τον ενσωματωμένο μηχανισμό. Ένας γενικός κανόνας: εάν το φαγητό πρέπει να διατηρήσει την υγρασία του, κρατήστε τα κλειστά. Εάν το φαγητό πρέπει να γίνει τραγανό, κρατήστε τα ανοιχτά. Έτσι προκαλείται απώλεια υγρασίας. Κάνοντας δοκιμές, θα εξασφαλίσετε τα καλύτερα αποτελέσματα.

Σημείωση: Η συσκευή διαθέτει βάση ταψιού και τηγανιού από ανοξείδωτο χάλυβα, κατάλληλη για δοχεία GN 1/1, σπάρες και ταψιά, καθώς και δίσκους ψησίματος 600 x 400 mm (δεν περιλαμβάνονται) σε 3 επίπεδα.

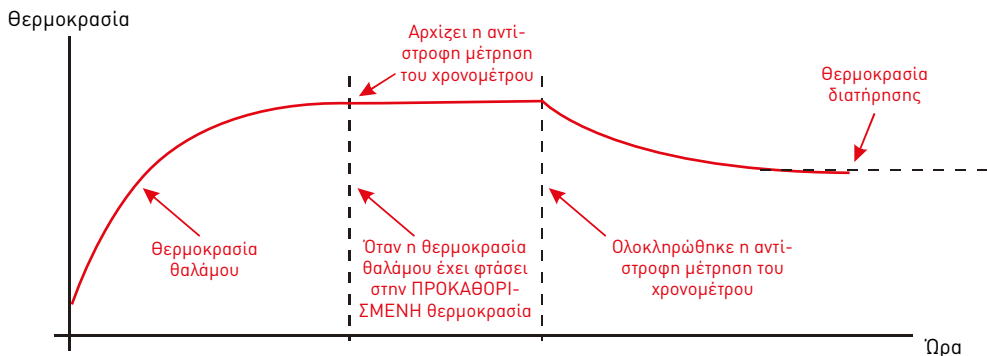


Μπορείτε να μαγειρέψετε με δύο διαφορετικές μεθόδους λειτουργίας:

Α. Ψήσιμο με χρονομέτρο

Μπορείτε να ρυθμίσετε τη θερμοκρασία θαλάμου, το χρονομέτρο και τη θερμοκρασία διατήρησης. Στη συνέχεια, ο φούρνος αρχίζει να θερμαίνεται έως ότου η ΠΡΑΓΜΑΤΙΚΗ θερμοκρασία θαλάμου φθάσει στην ΠΡΟΚΑΘΟΡΙΣΜΕΝΗ θερμοκρασία θαλάμου. Τη στιγμή αυτή, θα αρχίσει η αντίστροφη μέτρηση του χρονομέτρου

(θα ακουστεί ένα ηχητικό σήμα). Όταν ολοκληρωθεί η αντίστροφη μέτρηση του χρονομέτρου (θα ακουστούν 3 ηχητικά σήματα), ο φούρνος θα μεταβεί σε λειτουργία διατήρησης. Η θερμοκρασία θαλάμου θα πέφτει σταδιακά έως ότου φτάσει στη θερμοκρασία διατήρησης όπου και θα παραμείνει σταθερή (λειτουργία διατήρησης).

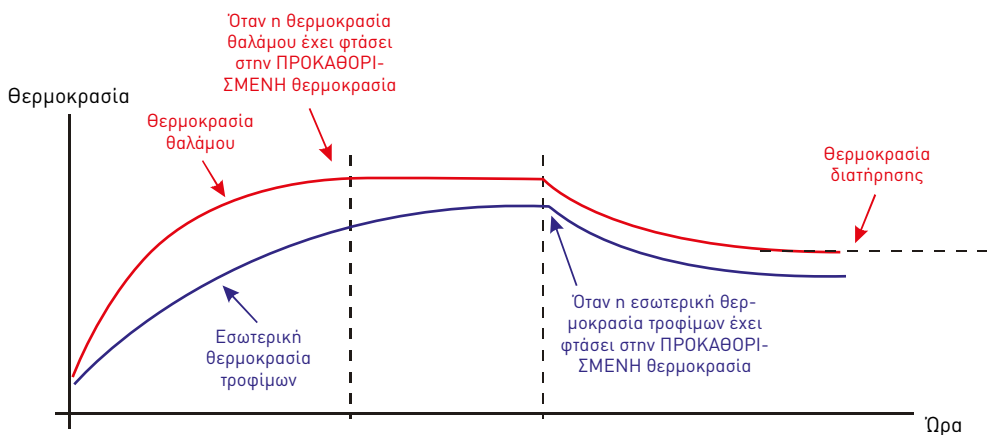


Β. Ψήσιμο με αισθητήριο πυρήνα

Μπορείτε να ρυθμίσετε τη θερμοκρασία θαλάμου, την εσωτερική θερμοκρασία τροφίμων και τη θερμοκρασία διατήρησης. Ο φούρνος αρχίζει να θερμαίνεται έως ότου η ΠΡΑΓΜΑΤΙΚΗ θερμοκρασία θαλάμου φθάσει στην ΠΡΟΚΑΘΟΡΙΣΜΕΝΗ θερμοκρασία θαλάμου. Στη συνέχεια, ο φούρνος διατηρεί σταθερή τη θερμοκρασία θαλάμου έως ότου η ΠΡΑΓΜΑΤΙΚΗ θερμοκρασία του αισθητήριου πυρήνα φτάσει στην

ΠΡΟΚΑΘΟΡΙΣΜΕΝΗ εσωτερική θερμοκρασία του αισθητήριου πυρήνα. Η θερμοκρασία θαλάμου θα πέφτει σταδιακά έως ότου φτάσει στη θερμοκρασία διατήρησης όπου και θα παραμείνει σταθερή (λειτουργία διατήρησης θερμοκρασίας).

Σημείωση: σε αυτή την λειτουργία δεν μπορεί να χρησιμοποιηθεί η λειτουργία χρονομέτρου.



GR



Παύση

Όταν ο φούρνος βρίσκεται σε λειτουργία, η λειτουργία του θα ΔΙΑΚΟΠΕΙ εάν πιέσετε το κουμπί το κουμπί «Εναρξη/Παύση» (K5) και θα συνεχιστεί (με αμετά-

βλητες τις ρυθμίσεις θερμοκρασίας) όταν πιέσετε ξανά το κουμπί «Εναρξη/Παύση».

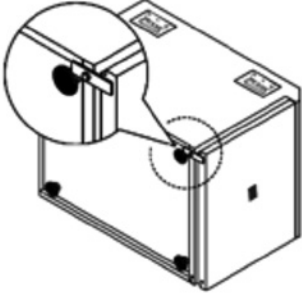
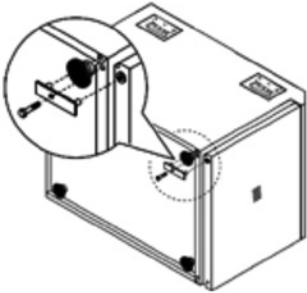
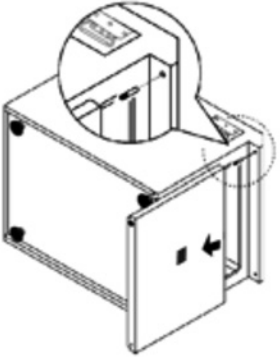
Απενεργοποίηση

Όταν ο φούρνος βρίσκεται σε λειτουργία ή σε κατάσταση διατήρησης, μπορείτε να τον απενεργοποιήσετε πιέζοντας το κουμπί αναμονής K1 (ο φούρνος τίθεται πλέον σε κατάσταση αναμονής). Η ενδεικτική λυχνία ισχύος L1 παραμένει αναμμένη, ενώ όλες οι

άλλες ενδεικτικές λυχνίες (L2 έως L5) θα σβήσουν. Απενεργοποίηση: Θέστε τον πράσινο διακόπτη ON/OFF στην πίσω πλευρά του φούρνου στη θέση «0». Εάν δεν υπάρχει, βγάλτε το φις από την πρίζα.

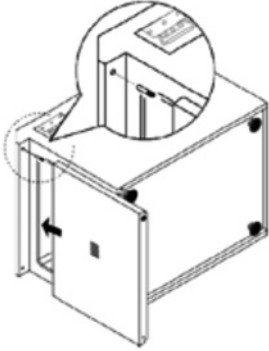
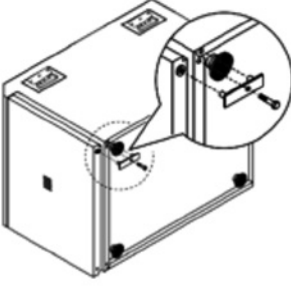
Εάν χρειαστεί, αλλάξτε τη διεύθυνση της πόρτας.

Μπορείτε να αλλάξετε τη διεύθυνση της πόρτας, σύμφωνα με τις παρακάτω οδηγίες.

Βήμα 1	Βήμα 2	Βήμα 3
		
<ul style="list-style-type: none">• Απενεργοποιήστε τη συσκευή και βγάλτε το φις από την πρίζα• Περιμένετε έως ότου κρυώσει η συσκευή• Αφαιρέστε τους δίσκους από τον θάλαμο• Ακουμπήστε τη συσκευή στο πλάι της, ώστε ο μεντεσές της πόρτας να βρίσκεται πάνω	<ul style="list-style-type: none">• Ξεβιδώστε τη βίδα με ένα επίπεδο κατασαβίδι και αφαιρέστε τους μεντεσές της πόρτας	<ul style="list-style-type: none">• Αφαιρέστε την πόρτα• Ξεβιδώστε το μπουλόνι στο πάνω τμήμα του πλαισίου της πόρτας με ένα επίπεδο κατασαβίδι και αντιστρέψτε την τοποθεσία του μπουλονιού

GR



Βήμα 4	Βήμα 5
	
<ul style="list-style-type: none"> • Ακουμπήστε τη συσκευή στο πλάι, στην άλλη πλευρά • Τοποθετήστε ξανά την πόρτα 	<ul style="list-style-type: none"> • Τοποθετήστε ξανά τον μεντεσέ • Τοποθετήστε τον φούρνο σε οριζόντια θέση και συνδέστε το φις στην πρίζα

Αντιμετώπιση προβλημάτων και Κωδικοί σφαλμάτων:

Αν η συσκευή δεν λειτουργεί σωστά, συμβουλευτείτε τον παρακάτω πίνακα για πιθανές λύσεις. Αν συνεχίσετε να μην μπορείτε να επιλύσετε το πρόβλημα, επικοινωνήστε με τον προμηθευτή/πάροχο σέρβις.

Πρόβλημα	Πιθανή αιτία	Πιθανή λύση
Η συσκευή δεν λειτουργεί	Δεν υπάρχει τροφοδοσία στην πρίζα	Ελέγξτε την ασφάλεια
	Ο πράσινος διακόπτης ON/OFF στο πίσω μέρος της συσκευής	Θέστε τον πράσινο διακόπτη ON/OFF που βρίσκεται στην πίσω πλευρά της συσκευής, στη θέση "I"
	Το βύσμα δεν είναι συνδεδεμένο (σωστά) στην πρίζα	Ελέγξτε το φις
Η συσκευή δεν φτάνει στη ρυθμισμένη θερμοκρασία	Ελαττωματικό στοιχείο θέρμανσης	Επικοινωνήστε με τον προμηθευτή
	Ελαττωματική μονάδα ελέγχου	Επικοινωνήστε με τον προμηθευτή
	Ελαττωματική ασφάλεια στοιχείου θέρμανσης	Επικοινωνήστε με τον προμηθευτή

Όταν οι αισθητήρες θερμοκρασίας ή η θερμοκρασία στο φούρνο δεν λειτουργούν σωστά, η ψηφιακή οθόνη D1 μπορεί να εμφανίσει έναν από τους παρακάτω κωδικούς σφάλματος.

Κωδικός σφάλματος	Πιθανή αιτία/Πιθανές αιτίες	Πιθανή λύση
501	Ο αισθητήρας θερμοκρασίας θαλάμου (NTC) έχει υποστεί βραχυκύκλωμα ή είναι ανοικτός	Ο αισθητήρας θερμοκρασίας θαλάμου (NTC) έχει υποστεί βραχυκύκλωμα ή είναι ανοικτός
	Η θερμοκρασία του θαλάμου είναι άνω των 152°C ή κάτω από -30°C	Η θερμοκρασία του θαλάμου είναι άνω των 152°C ή κάτω από -30°C
502	Ο αισθητήρας πυρήνα φαγητού (NTC) έχει υποστεί βραχυκύκλωμα ή είναι ανοικτός	Ο αισθητήρας πυρήνα φαγητού (NTC) έχει υποστεί βραχυκύκλωμα ή είναι ανοικτός
	Η θερμοκρασία στον πυρήνα του φαγητού είναι άνω των 158°C ή κάτω από -15°C	Η θερμοκρασία στον πυρήνα του φαγητού είναι άνω των 158°C ή κάτω από -15°C

Καθαρισμός και Συντήρηση

- Πριν από τον καθαρισμό της συσκευής, βγάξτε πάντα το φις από την πρίζα.
- Προσοχή: Μην βυθίζετε ποτέ τη συσκευή στο νερό ή σε άλλο υγρό!
- Καθαρίζετε την εξωτερική επιφάνεια της συσκευής με ένα υγρό πανί (νερό με ήπιο καθαριστικό).
- Ποτέ μην χρησιμοποιείτε επιθετικά ή λειαντικά

καθαριστικά. Μην χρησιμοποιείτε αιχμηρά ή κοφτερά αντικείμενα. Μην χρησιμοποιείτε βενζίνη ή διαλύτες! Καθαρίστε με ένα υγρό πανί και απορρυπαντικό, εάν είναι απαραίτητο. Μην χρησιμοποιείτε λειαντικά υλικά.

- Καθαρίστε τις οπές εξερισμού (όπου ενδείκνυται) με μια ηλεκτρική σκούπα.

Τεχνικές προδιαγραφές

Αρ. προϊόντος: 225479

Τάση και συχνότητα λειτουργίας: 220-240V~ 50/60Hz

Ονομαστική ισχύς εισόδου: 1200W

Εύρος θερμοκρασίας θαλάμου: 30 έως 120°C (με διαστήμα 1°C)

Κατηγορία προστασίας: Κατηγορία I

Κλάση προστασίας νερού: IPX3

Διαστάσεις: 495x690x(Y)415 mm

Καθαρό βάρος: περίπου 27kg

Σημείωση: Οι τεχνικές προδιαγραφές μπορούν να τροποποιηθούν χωρίς προηγούμενη ειδοποίηση.

Εγγύηση

Οποιοδήποτε ελάττωμα επηρεάζει τη λειτουργικότητα της συσκευής που γίνεται προφανές δύο χρόνια μετά την αγορά της, θα διορθώνεται με δωρεάν επισκευή ή αντικατάσταση, αρκεί η συσκευή να έχει χρησιμοποιηθεί και συντηρηθεί σύμφωνα με τις οδηγίες και να μην έχει γίνει κατάχρηση ή λανθασμένη χρήση της με οποιονδήποτε τρόπο. Δε θίγονται τα νόμιμα δικαιώματά σας. Εάν η συσκευή υποστηρίζεται

από εγγύηση, δηλώστε πού και πότε έχει αγοραστεί και συμπεριλάβετε την απόδειξη αγοράς (π.χ. απόδειξη λιανικής πώλησης).

Σύμφωνα με την πολιτική μας για τη συνεχή εξέλιξη των προϊόντων μας, διατηρούμε το δικαίωμα να αλλάξουμε το προϊόν, τη συσκευασία και τις προδιαγραφές τεκμηρίωσής του χωρίς προειδοποίηση.

GR

Απόρριψη & Περιβάλλον

Η συσκευή, μετά το πέρας της διάρκειας ζωής της, δεν πρέπει να απορρίπτεται ως οικιακό απόρριμμα. Πρέπει να απορρίπτεται, με δική σας ευθύνη, σε καθορισμένο σημείο συλλογής. Η μη τήρηση αυτού ενδέχεται να τιμωρείται σύμφωνα με τους ισχύοντες κανονισμούς για τη διάθεση των απορριμμάτων. Η χωριστή συλλογή και ανακύκλωση αυτής της συσκευής κατά τη στιγμή της απόρριψης βοηθά στη διατήρηση των φυσικών πόρων και εξασφαλίζει την

ανακύκλωσή της με τρόπο που προστατεύει την ανθρώπινη υγεία και το περιβάλλον. Για περισσότερες πληροφορίες σχετικά με το πού μπορείτε να απορρίψετε τη συσκευή για ανακύκλωση, επικοινωνήστε με την τοπική εταιρεία συλλογής απορριμμάτων. Οι κατασκευαστές και οι εισαγωγείς δεν αναλαμβάνουν την ευθύνη ανακύκλωσης, επεξεργασίας και οικολογικής διάθεσης, είτε άμεσα είτε μέσω δημόσιου συστήματος.

ΣΕΡΒΙΣ ΕΛΛΑΔΟΣ:

Τηλ.: 213 0 998989 (10 γραμμές)

info@pks-hendi.com









HENDI

Tools for Chefs

Hendi B.V.

Steenoven 21
3911 TX Rhenen, The Netherlands
Tel: +31 (0)317 681 040
Email: info@hendi.eu

PKS Hendi South East Europe SA

5 Metsovou Str.
18346 Moschato, Athens, Greece
Tel: +30 210 4839700
Email: office.greece@hendi.eu

Hendi Polska Sp. z o.o.

ul. Magazynowa 5
62-023 Gądkki, Poland
Tel: +48 61 6587000
Email: info@hendi.pl

Hendi HK Ltd.

1208, 12/F Exchange Tower
33 Wang Chiu Road, Kowloon Bay, Hong Kong
Tel: +852 2154 2618
Email: info-hk@hendi.eu

Hendi Food Service Equipment GmbH

Gewerbegebiet Ehring 15
5112 Lamprechtshausen, Austria
Tel: +43 (0) 6274 200 10 0
Email: office.austria@hendi.eu

Find Hendi on internet:

www.hendi.eu
www.facebook.com/HendiToolsforChefs
www.linkedin.com/company/hendi-food-service-equipment-b.v.
www.youtube.com/HendiEquipment

Hendi Food Service Equipment Romania Srl

Str. 13 decembrie 94A, Hala 14
Braşov, 500164, Romania
Tel: +40 268 320330
Email: office@hendi.ro

- Changes, printing and typesetting errors reserved.
- Änderungen und Druckfehler vorbehalten.
- Wijzigingen en drukfouten voorbehouden.
- Producent zastrzega sobie prawo do zmian oraz błądów drukarskich w instrukcji.
- Variations et fautes d'impression réservés.

- Errori di cambiamenti, di stampa e di impaginazione riservati.
- Drepturi rezervate cu privire la modificări și greșeli de imprimare.
- Изменения, печати и верстки ошибки защищены.
- Με επιφύλαξη αλλαγών, λαθών εκτύπωσης και στοιχειοθεσίας.