

Drawing



Hendi B.V.
Steenoven 21
3911 TX Rhenen
The Netherlands

Batch #

402167 and up

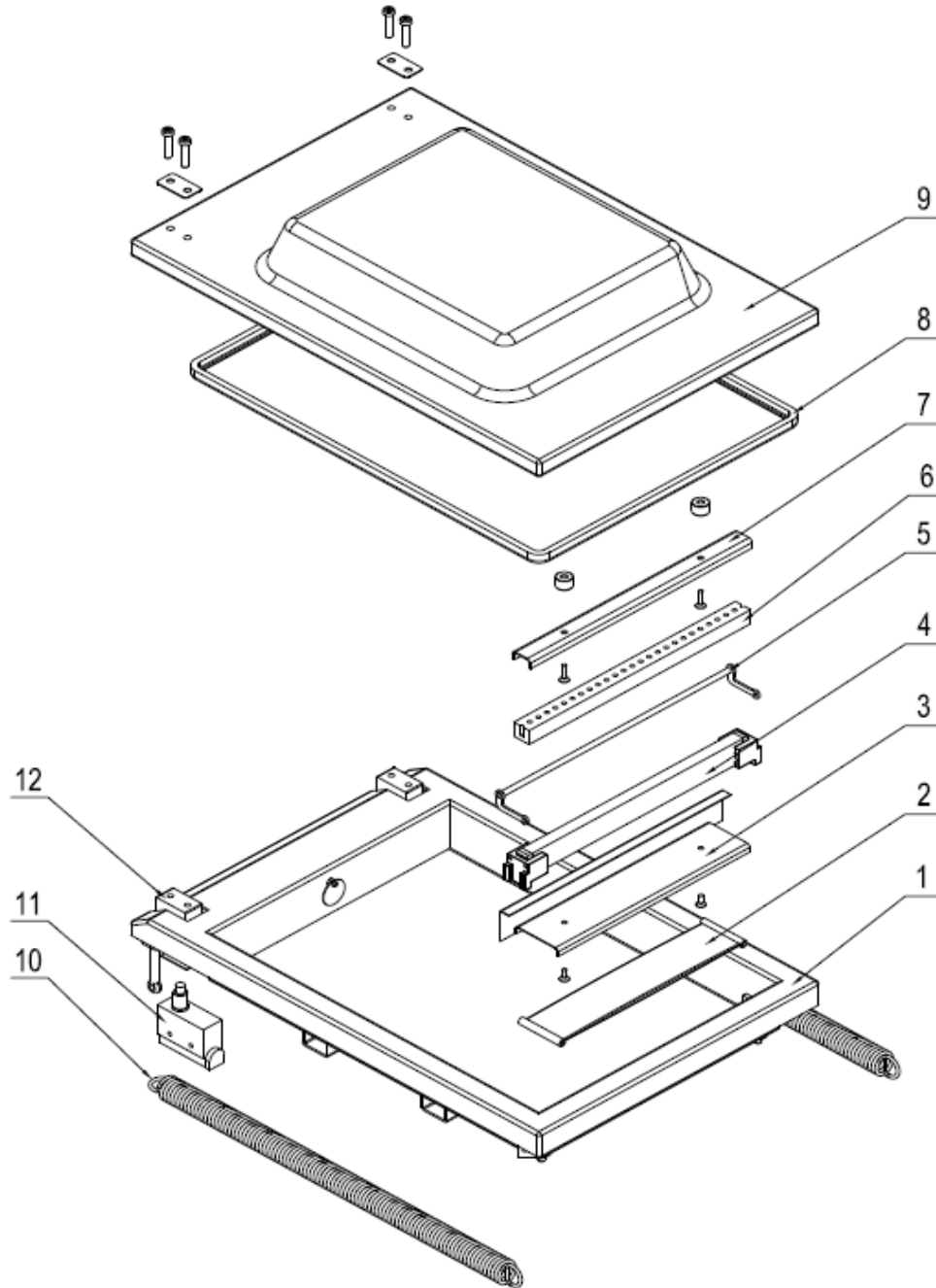
Appliance part#

975268


Description

Vacuum chamber packaging machine

Date	21-09-2018	Revision #	Revision version
Revision	First bill of materials (BOM)		



Bill of materials (BOM)

 Hendi B.V. Steenoven 21 3911 TX Rhenen The Netherlands	Batch #	Appliance part#
	402167 and up	975268
	Description	
Vacuum chamber packaging machine		

Date	21-09-2018	Revision #	Revision version
Revision	First bill of materials (BOM)		

Item	Description	Part#	Quantity	Remark	Picture
1	Vacuum chamber	n/a	1		
2	Diaphragm	n/a	1		
3	Bracket	n/a	1		
4	Sealing bar (complete)	943410	1	Sealing size 300x8mm, incl item 4a,4b	
4a	Sealing wire (sold p/m)	936818	1	Also available in service kit 939475	
4b	Teflon tape (sold p/m)	936801	1	Also available in service kit 939475	
5	Bag holder	n/a	1		
6	Sealing gasket	936986	1		
7	Holder silicone gasket	n/a	1		
8	Lid gasket (sold p/m)	936962	1	Also available in service kit 939475	
9	Lid	936993	1		
10	Spring	n/a	2		
11	Switch	n/a	1		
*	Service kit	939475	1	* Not shown on exploded view	

n/a -> not available

nss -> not sold separately

Drawing



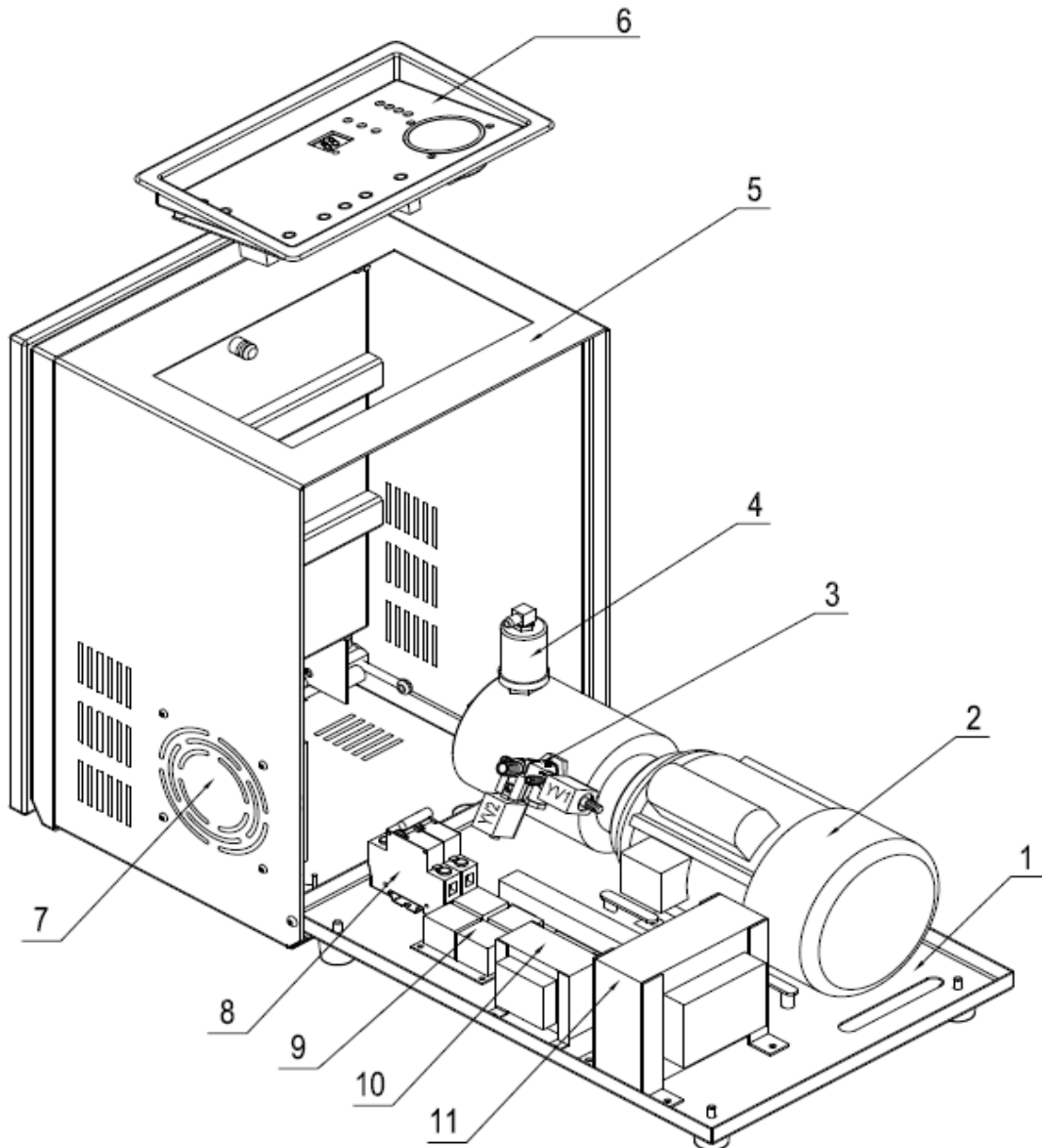
Hendi B.V.
Steenoven 21
3911 TX Rhenen
The Netherlands

Batch #
402167 and up


Appliance part#
975268

Description
Vacuum chamber packaging machine

Date	21-09-2018	Revision #	Revision version
Revision	First bill of materials (BOM)		



Bill of materials (BOM)

 Hendi B.V. Steenoven 21 3911 TX Rhenen The Netherlands	Batch #	Appliance part#
	402167 and up	975268
	Description	
Vacuum chamber packaging machine		


Date	21-09-2018	Revision #	Revision version
Revision	First bill of materials (BOM)		

Item	Description	Part#	Quantity	Remark	Picture
1	Bottom cover	n/a	1		
2	Vacuum pump 10m³/h	936979	1		
3a	Seal valve	936917	1		
3b	Decompression valve	936900	1		
4	Oil exhaust filter	936924	1		
5	Housing	n/a	1		
6	Dipslay pcb	936948	1		
7	Fan	n/a	1		
8	Earth leakage protection	n/a	1		
9	Relay	936894	1		
10	Transformer (primary)	936870	1		
11	Transformer (sealing)	936887	1		

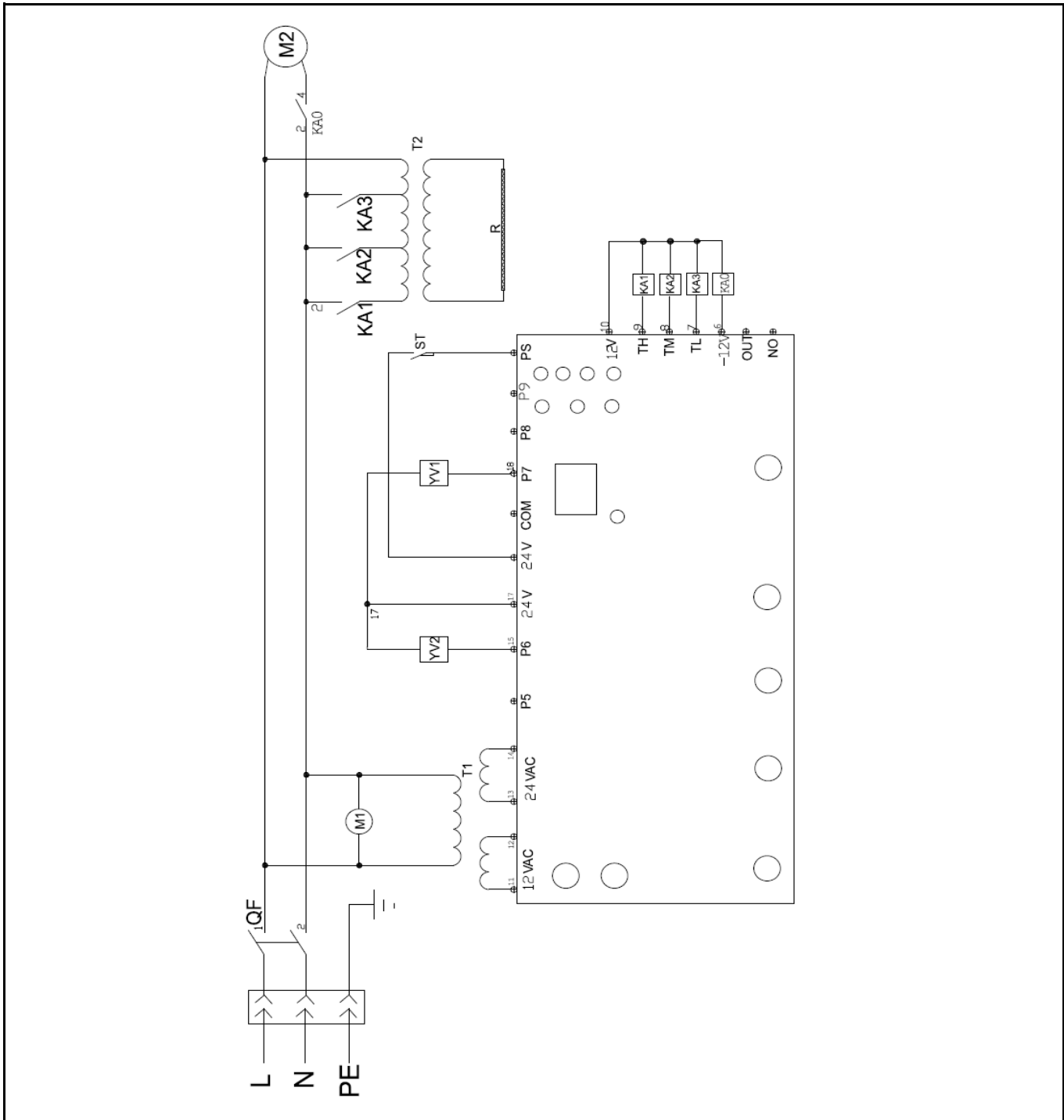
n/a -> not available

nss -> not sold separately


Circuit diagram

 <p>Hendi B.V. Steenoven 21 3911 TX Rhenen The Netherlands</p>	Batch #	Appliance part#
	402167 and up	975268
	Description	
	Vacuum chamber packaging machine	

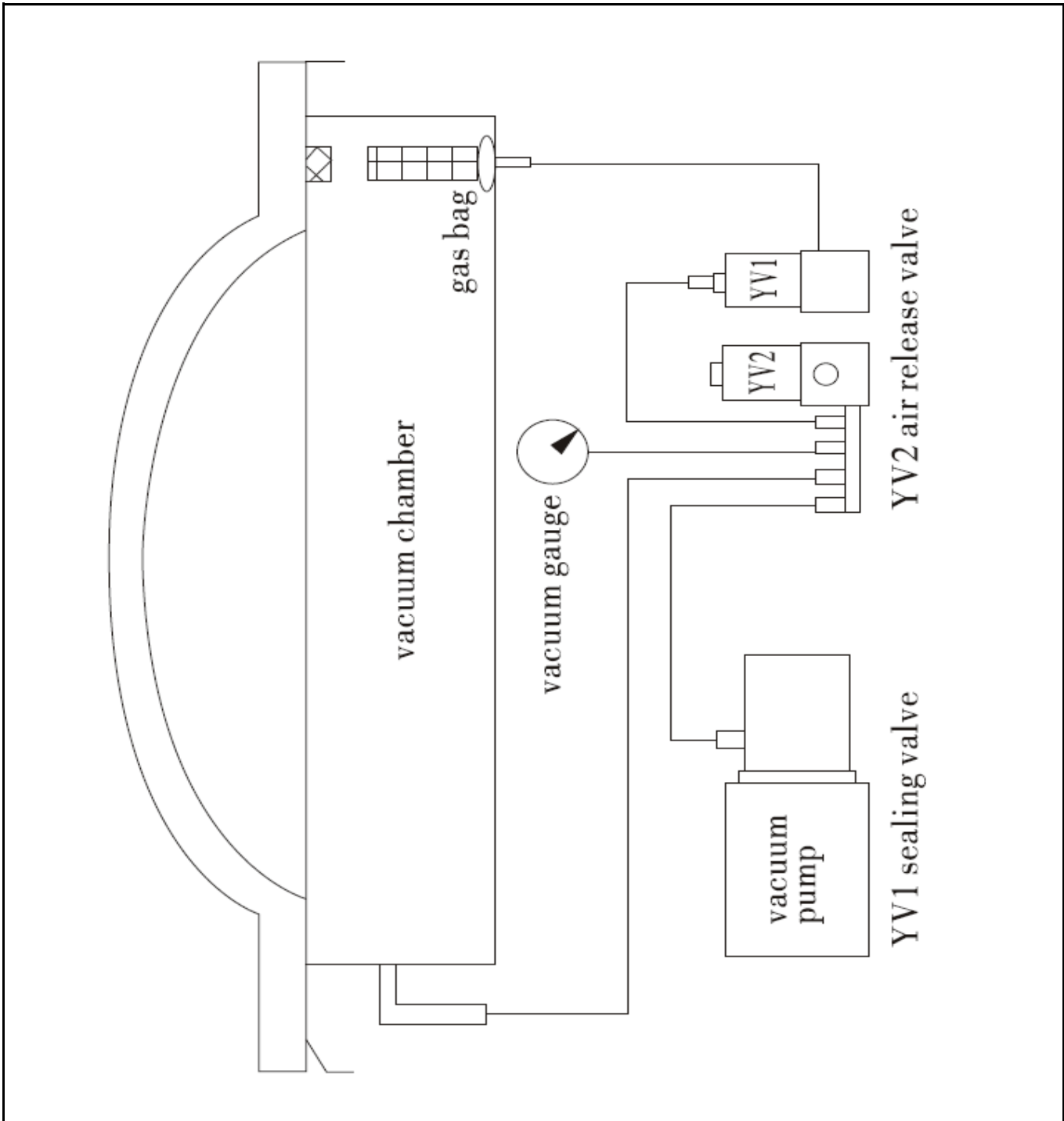
Date	21-09-2018	Revision #	Revision version
Revision	First bill of materials (BOM)		




Wiring diagram

 <b style="font-size: 2em; font-weight: bold; color: red;">HENDI FOOD SERVICE EQUIPMENT Hendi B.V. Steenoven 21 3911 TX Rhenen The Netherlands	Batch #	Appliance part#
	402167 and up	975268
	Description	
	Vacuum chamber packaging machine	

Date	21-09-2018	Revision #	Revision version
Revision	First bill of materials (BOM)		

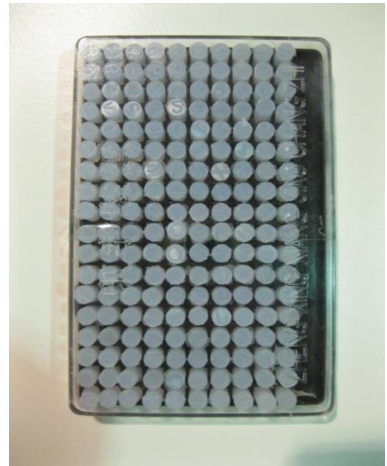
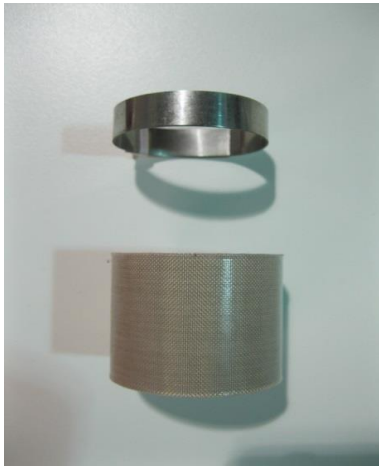


Drawing

 <p>Hendi B.V. Steenoven 21 3911 TX Rhenen The Netherlands</p>	Batch #	Appliance part#
	402167 and up	975268
	Description	
	Vacuum chamber packaging machine	

Date	21-09-2018	Revision #	Revision version
Revision	First bill of materials (BOM)		

939475 Service kit



Item	Description	Part #	Quantity
1	Bottle oil approx. 250ml	Only in this kit	1
2	Filler bottle	Only in this kit	1
3	Lid gasket	936962	1
4	Teflon tape	936801	1
5	Sealing wire	936818	1
6	Tools	Only in this kit	1
7	Letter box	Only in this kit	1

***Note. For maintenance instructions see user manual.**